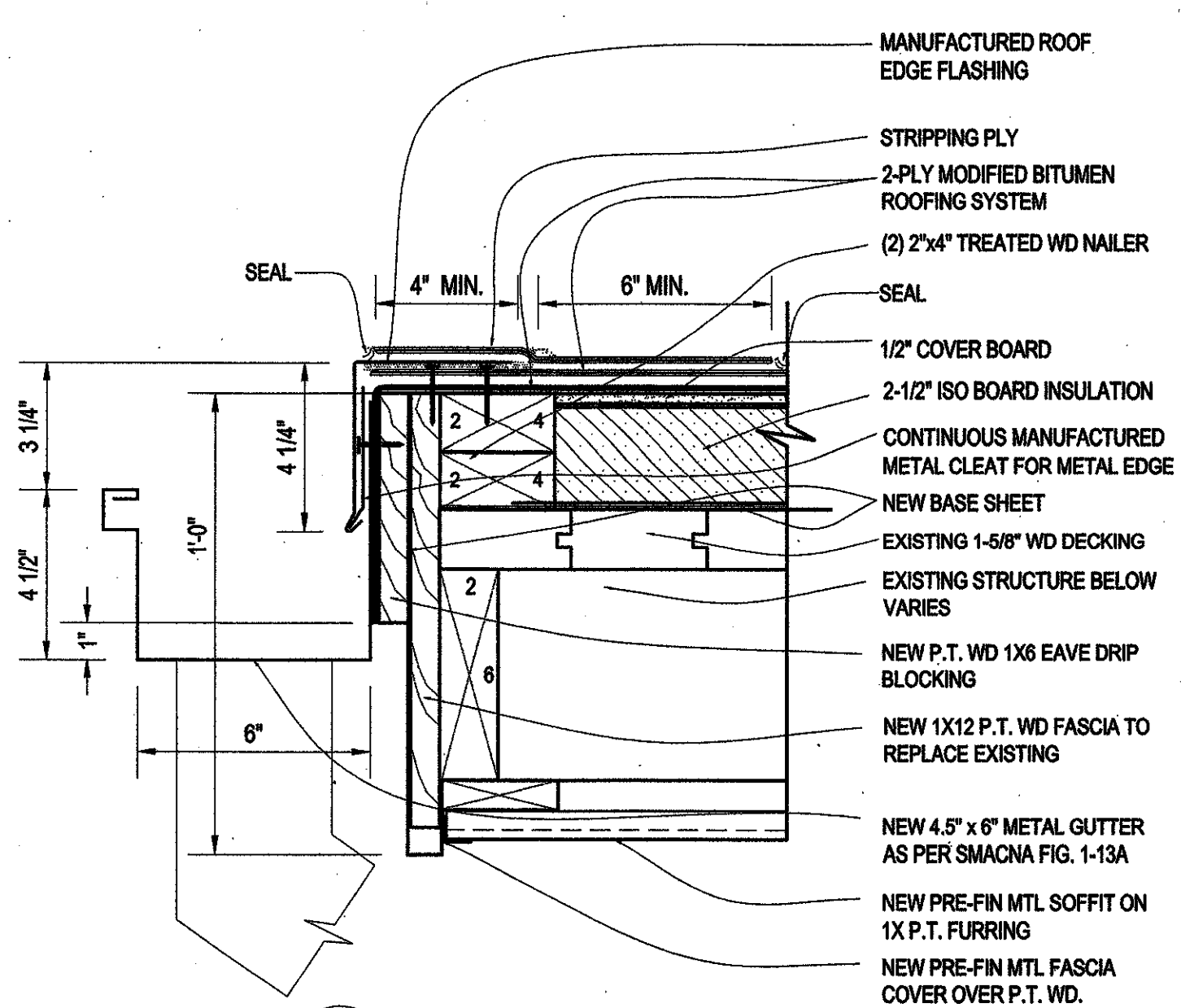
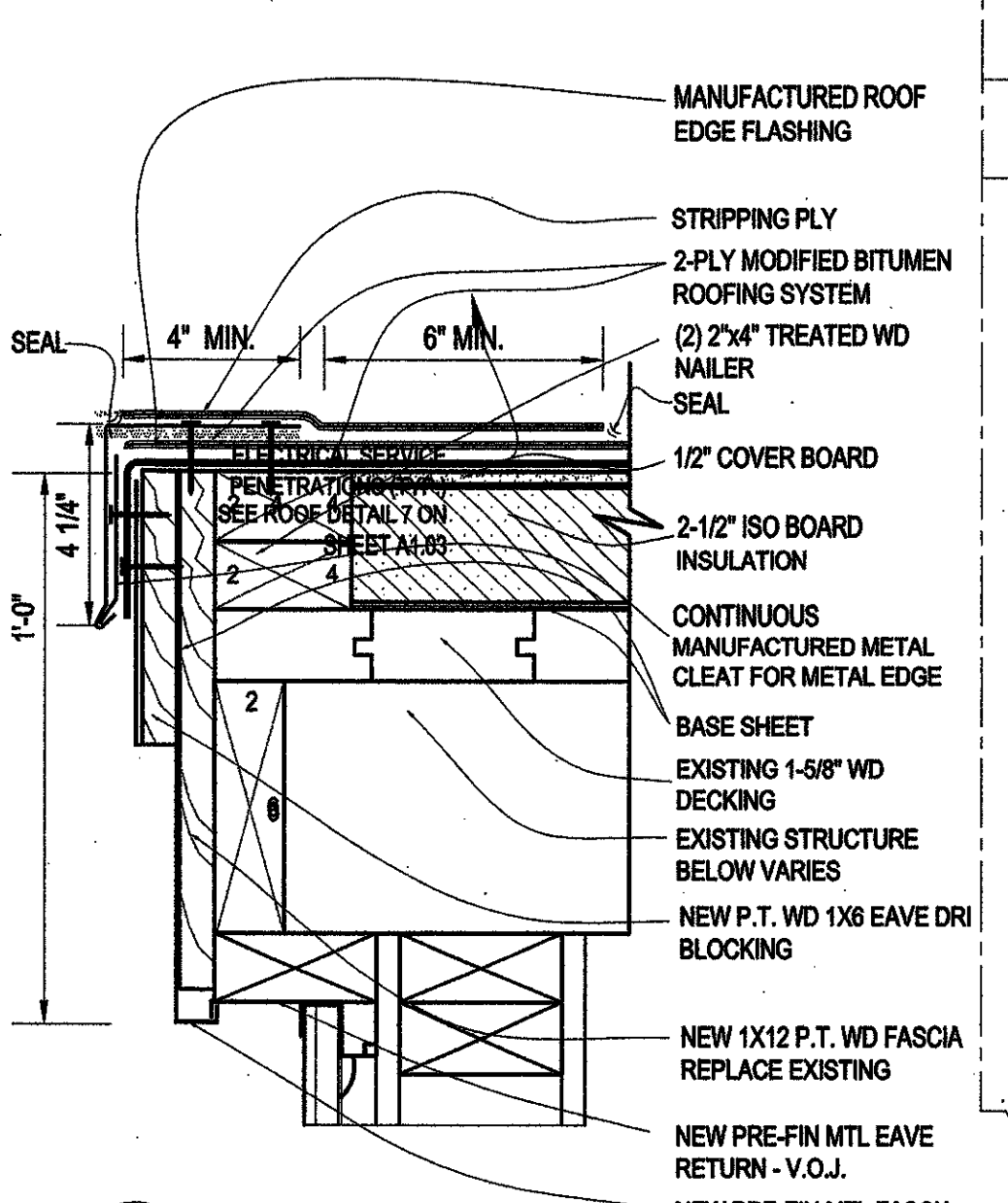


**RENOVATIONS AND ADDITION
TO CLASSROOM BUILDINGS
FOLSOM JR. HIGH SCHOOL
ST. TAMMANY PARISH SCHOOL BOARD**

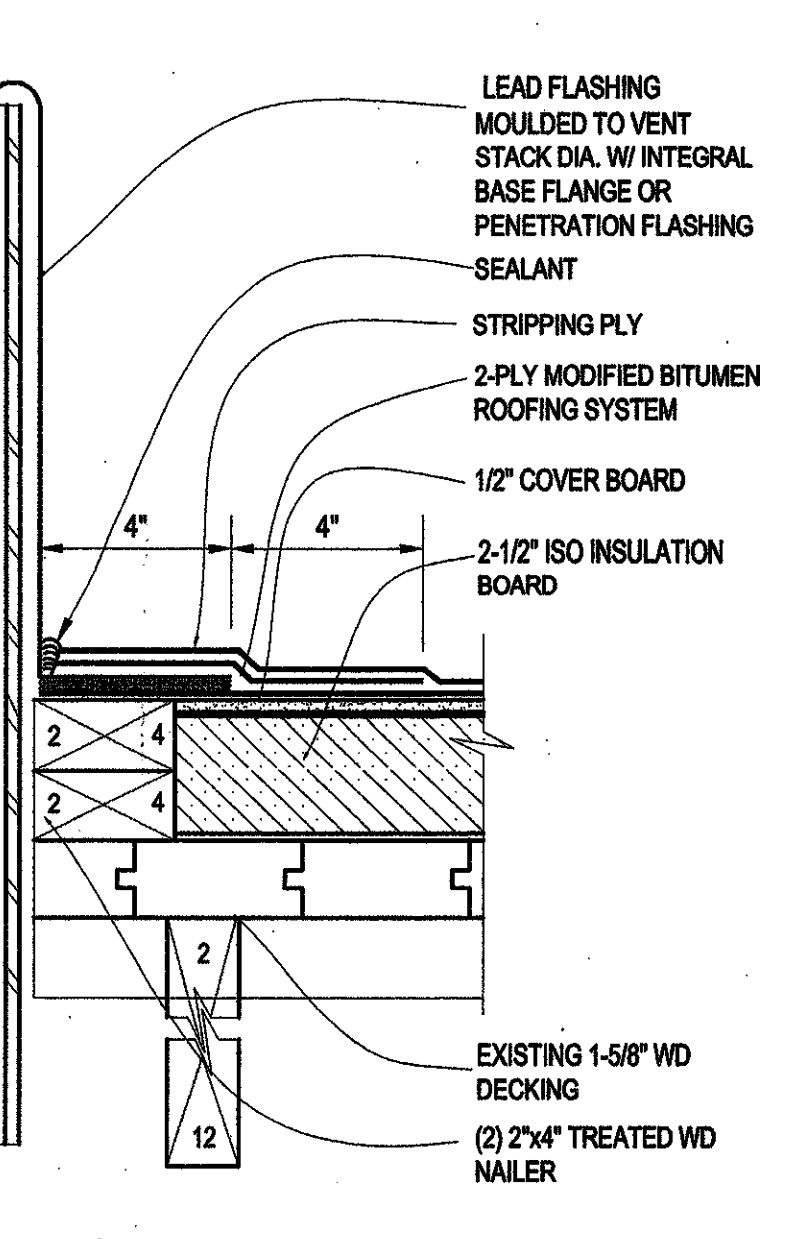
FOLSOM, LOUISIANA
83055 MAY HOLLOW ROAD



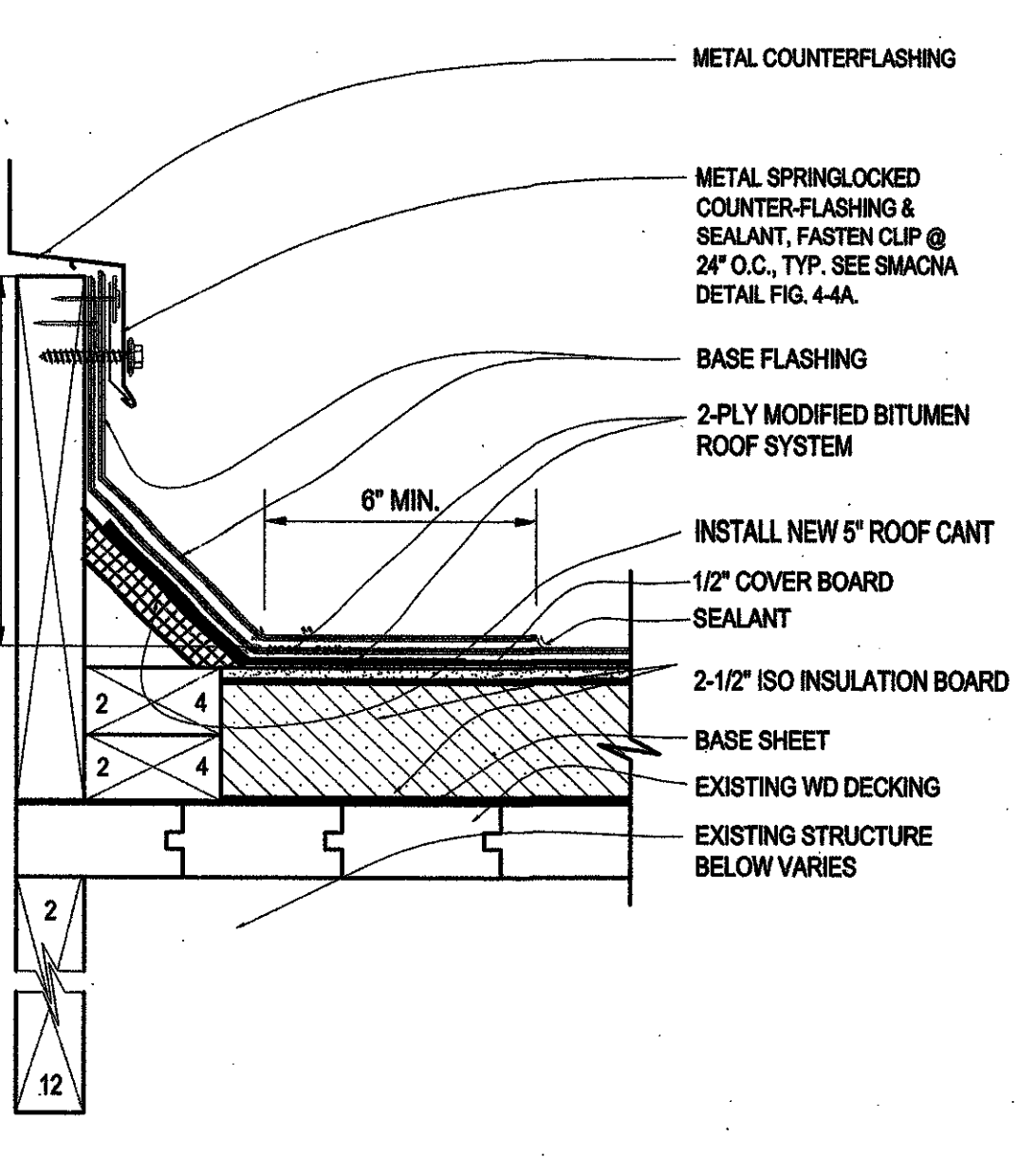
2 ROOF EDGE DETAIL
A1.03 3" = 1'-0"



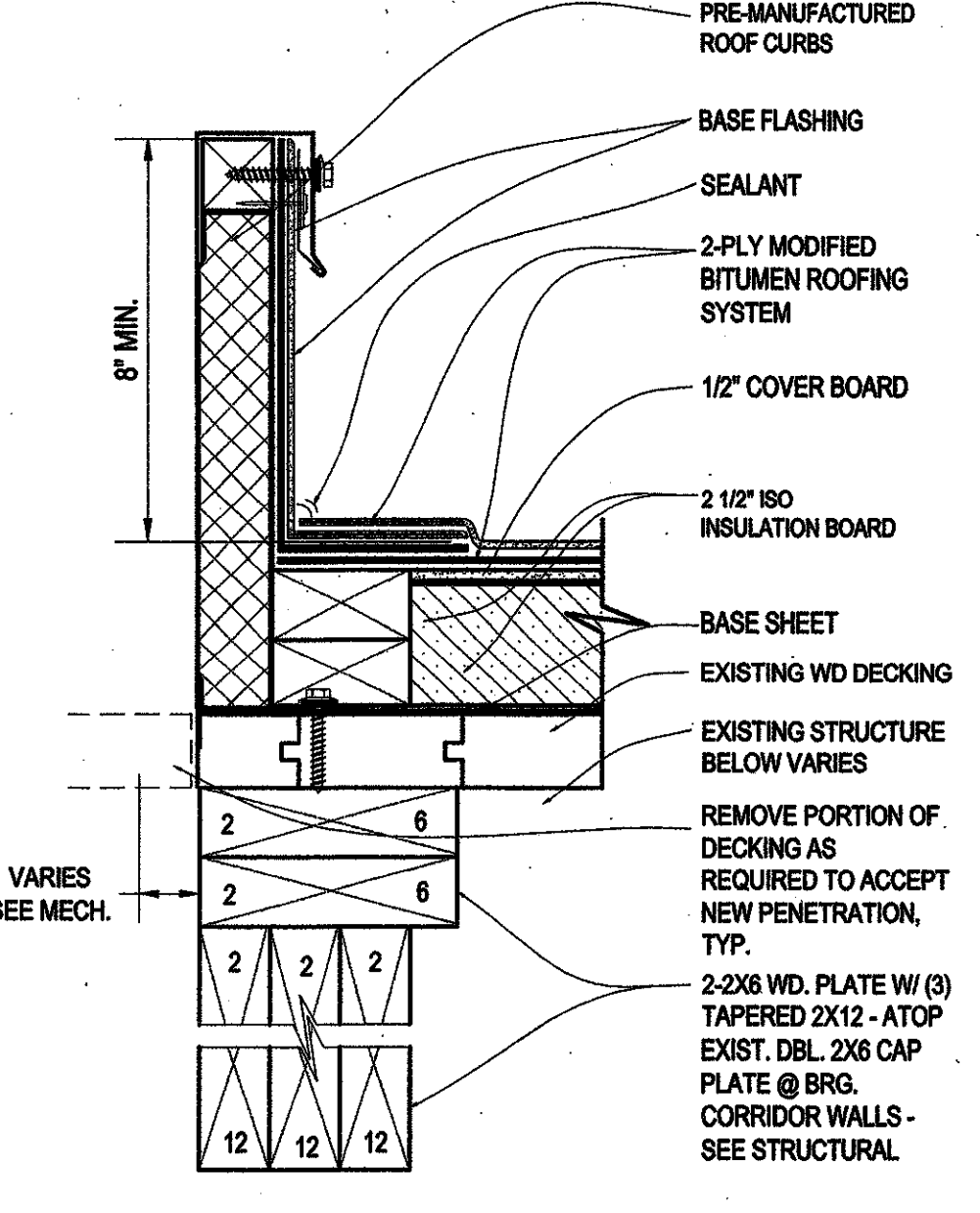
3 ROOF EDGE DETAIL
A1.03 3" = 1'-0"



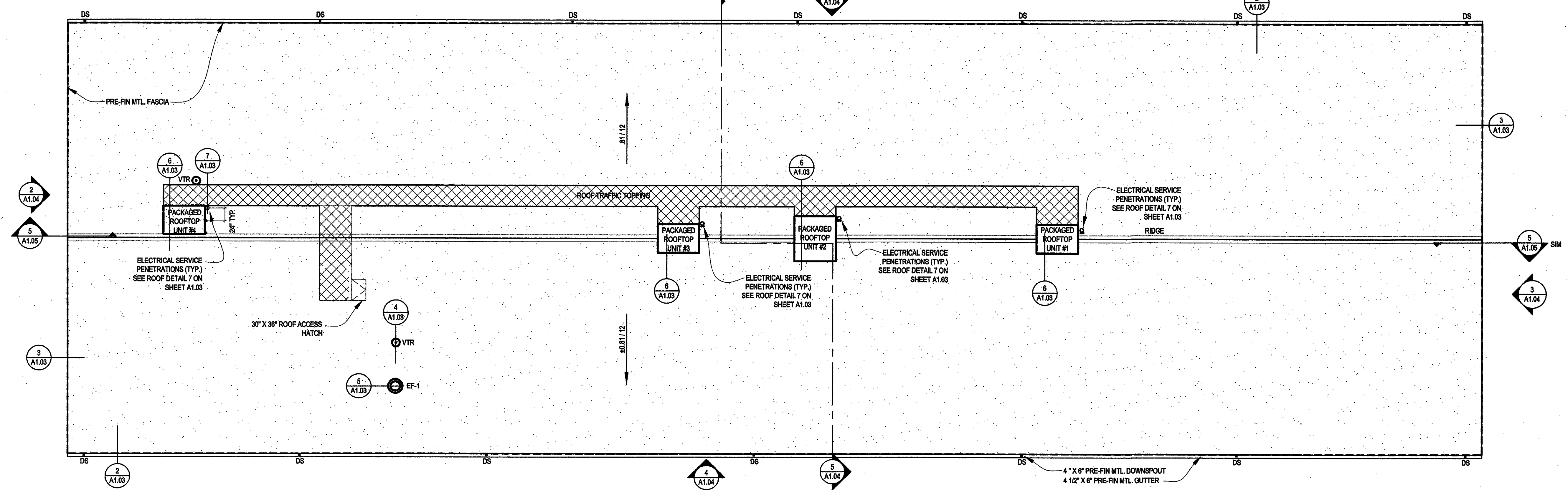
4 VENT STACK DETAIL
A1.03 3" = 1'-0"



5 EXHAUST FAN DETAIL
A1.03 3" = 1'-0"

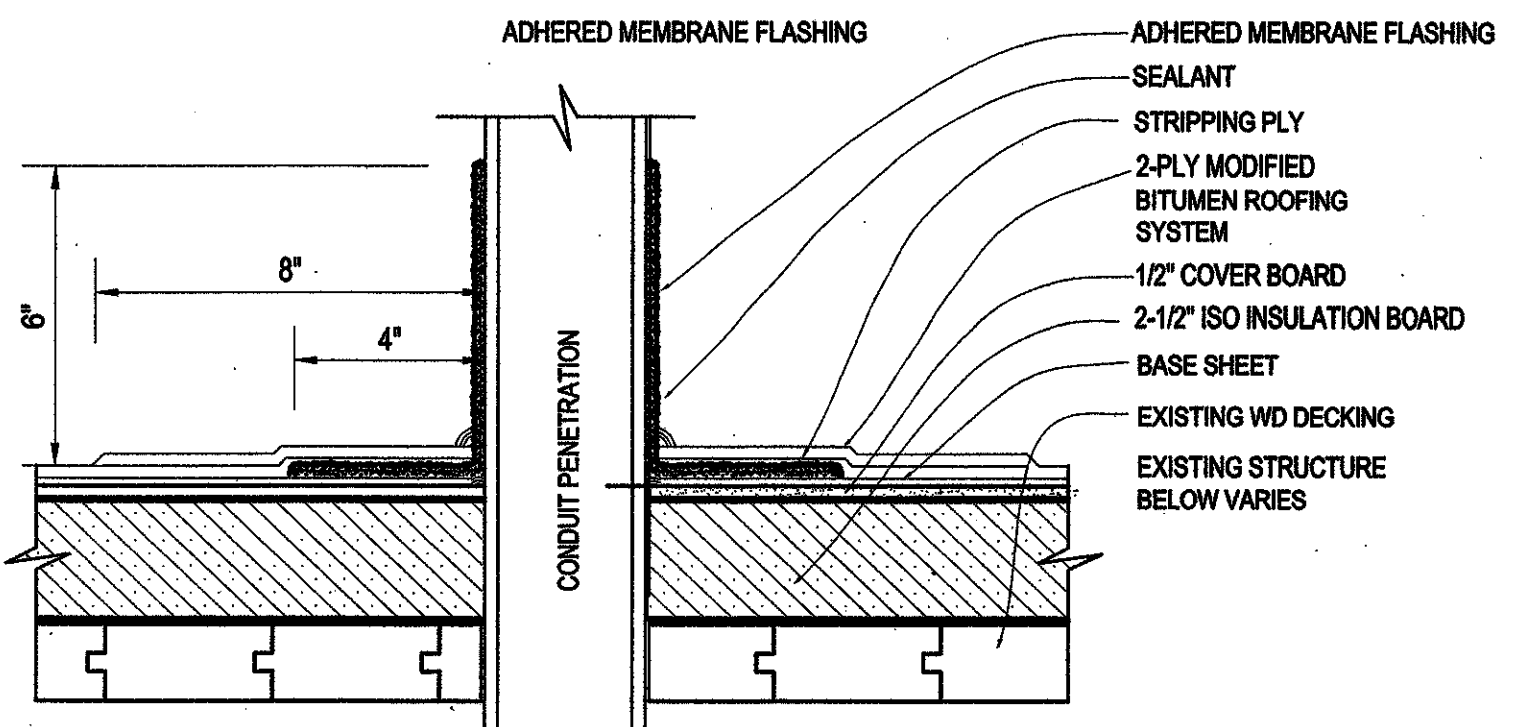


6 MECHANICAL CURB DETAIL
A1.03 3" = 1'-0"

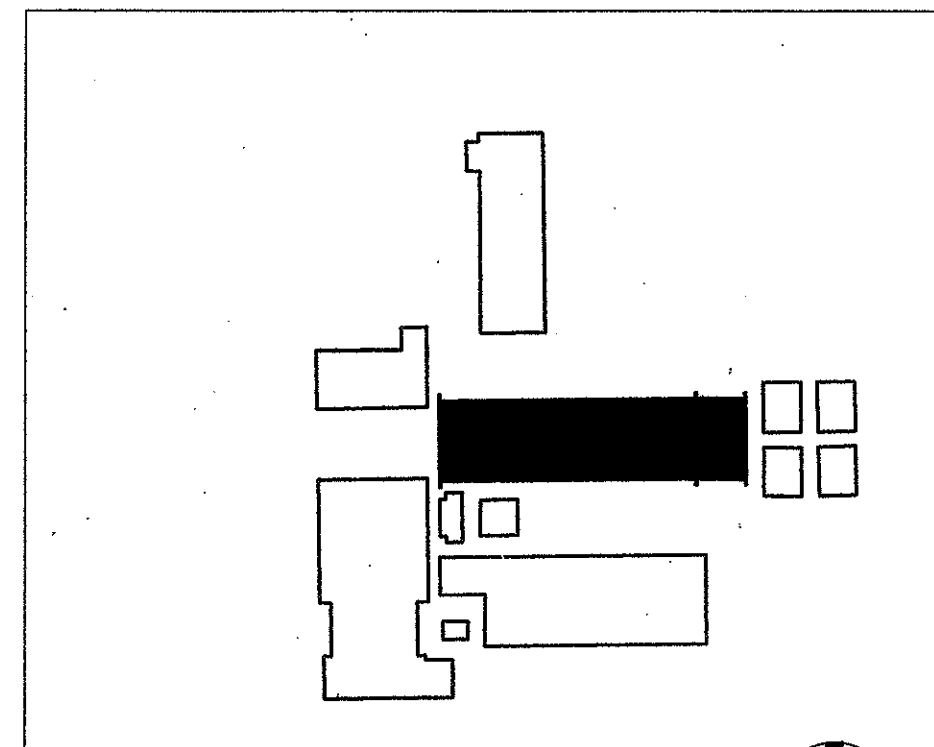


1 ROOF PLAN - CLASSROOM BLDG. "A"
A1.03 1/8" = 1'-0"

LEGEND:
NEW ROOFING
WALKWAY PADS



7 ROOF CONDUIT PENETRATION
A1.03 3" = 1'-0"



KEY PLAN

DATE ISSUED: 10 JUNE 2009
 REVISED:
 REVISED:
 REVISED:
 REVISED:
 DRAWN BY: RAB
 CHECKED BY: CEV
 PHASE: CONSTRUCTION DOCUMENTS

08060
 TITLE: ROOF PLAN & DETAILS CLASSROOM BLDG. "A"
 SHEET: **A1.03**