

**RENOVATIONS AND ADDITION  
TO CLASSROOM BUILDINGS  
FOLSOM JR. HIGH SCHOOL  
ST. TAMMANY PARISH SCHOOL BOARD**  
FOLSOM, LOUISIANA  
83055 HAY HOLLOW ROAD

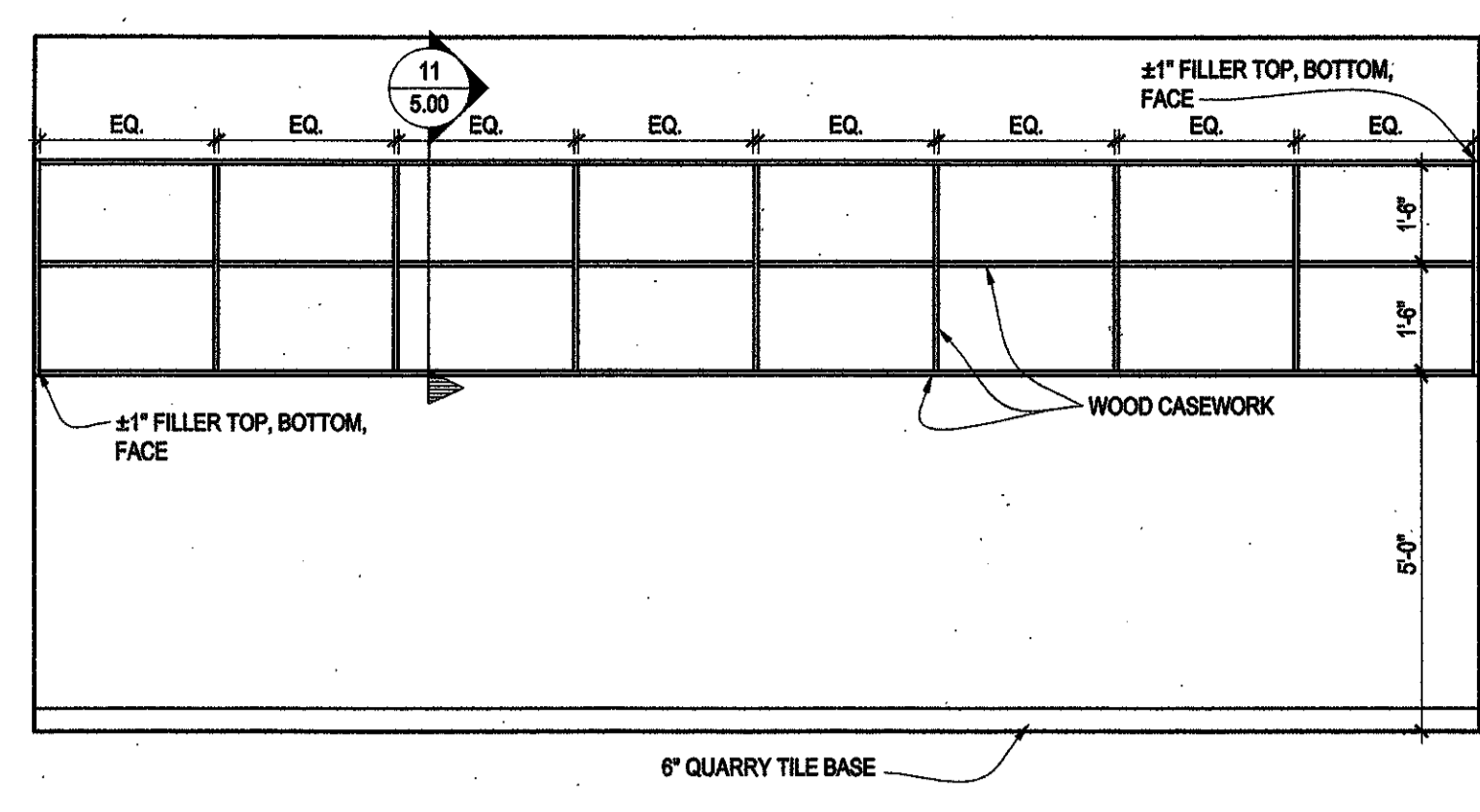
DATE ISSUED: 10 JUNE 2009  
REVISED: 22 JANUARY 2009  
REVISED:  
REVISED:  
DRAWN BY: BEB, JAB  
CHECKED BY: CEV

**CONSTRUCTION  
DOCUMENTS**

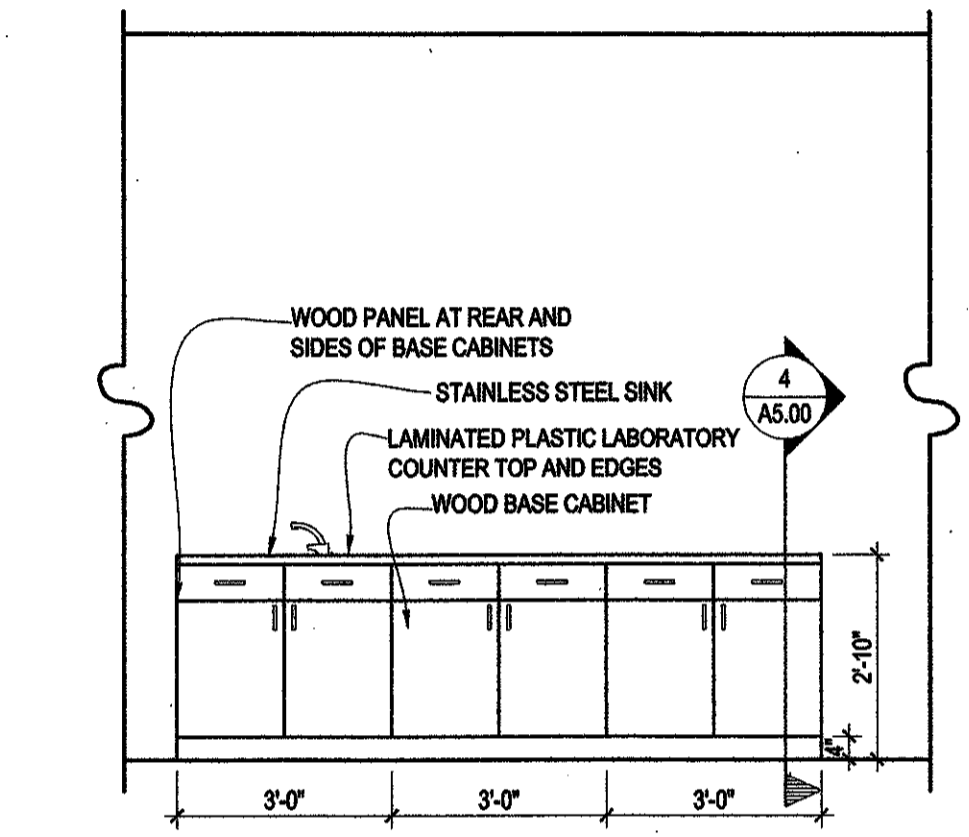
**08060**

TITLE:  
**INTERIOR  
ELEVATIONS**

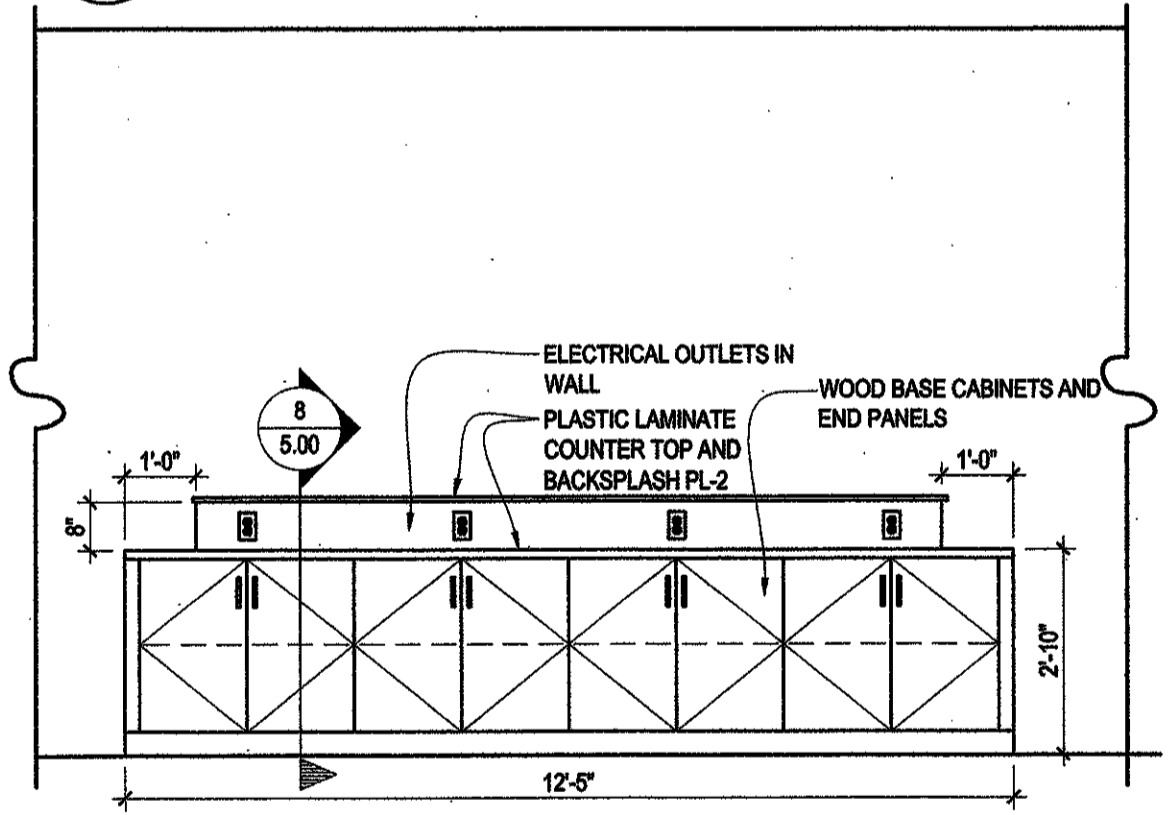
SHEET:  
**A4.01**



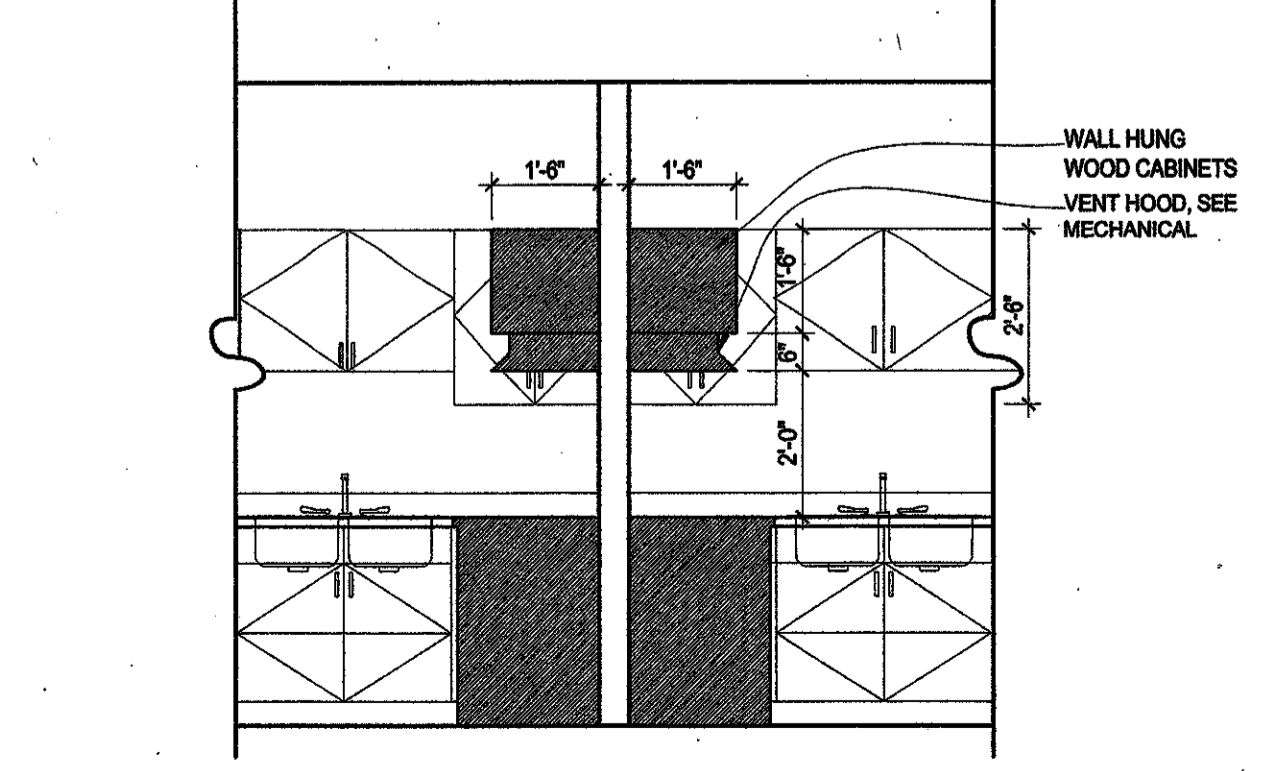
**13** INTERIOR ELEVATION - CLASSROOM #7 124  
A4.01 3/8" = 1'-0"



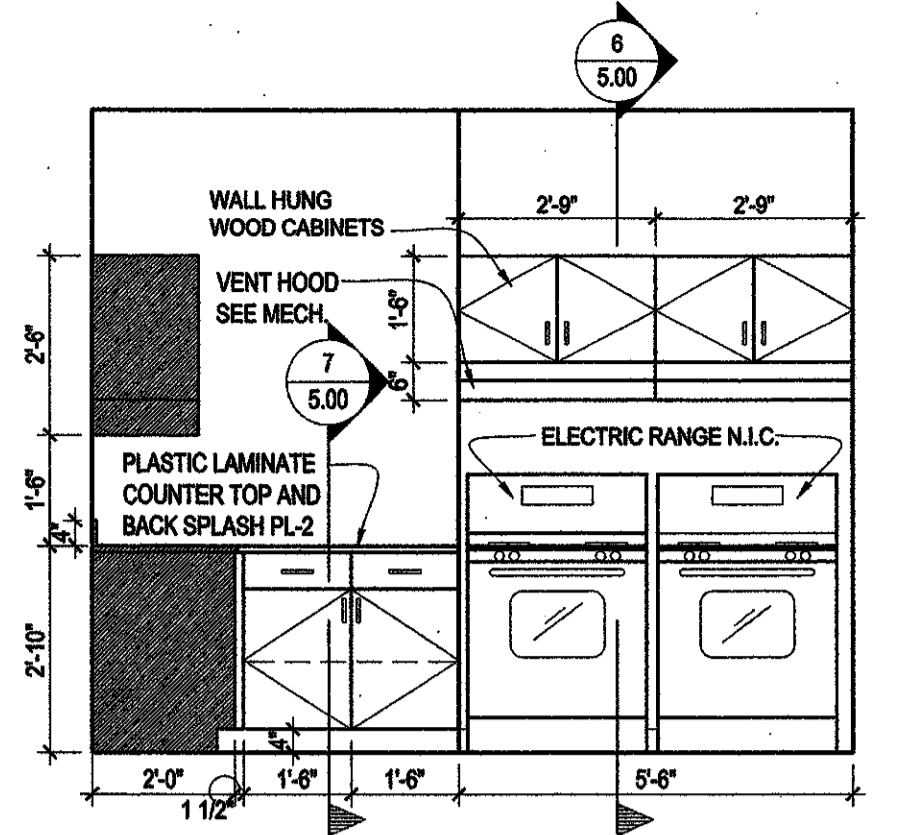
**12** INTERIOR ELEVATION - CLASSROOM #7 124  
A4.01 3/8" = 1'-0"



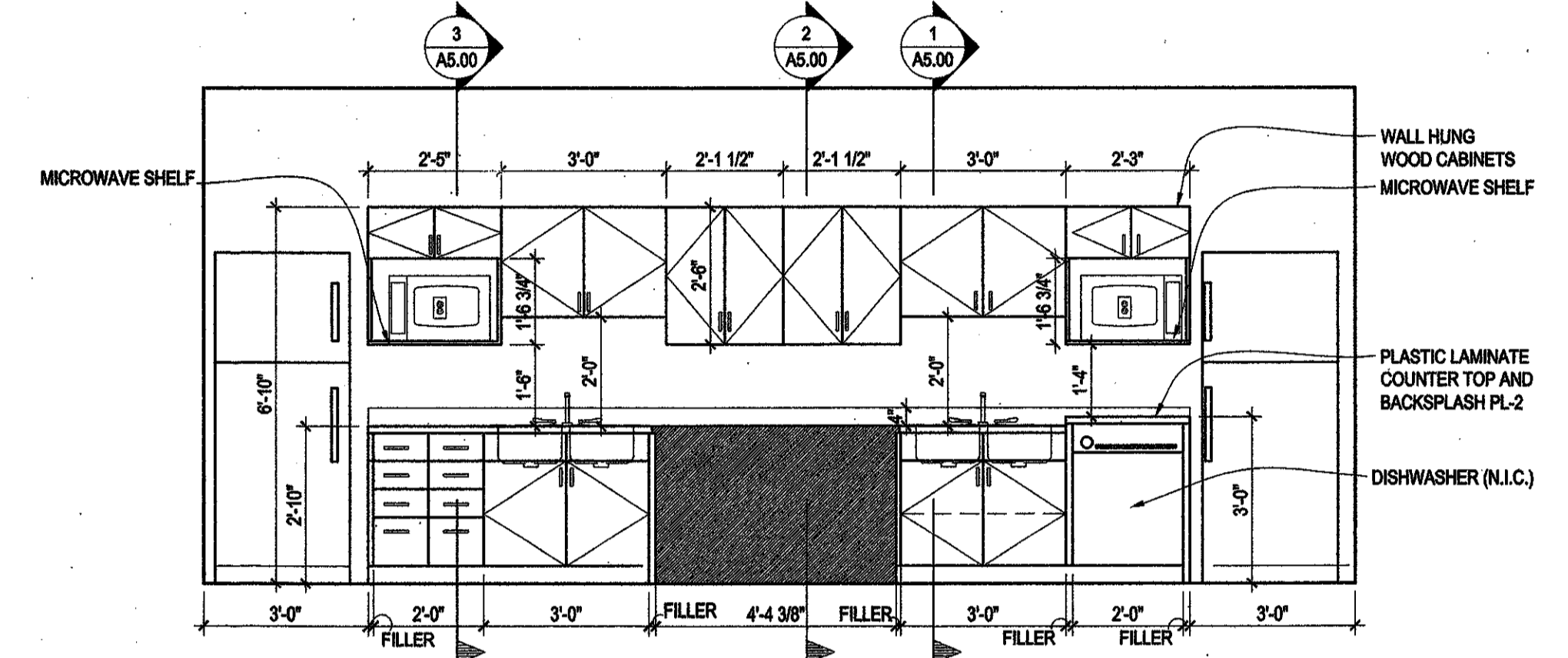
**11** INTERIOR ELEVATION - HOME ECONOMICS 120  
A4.01 3/8" = 1'-0"



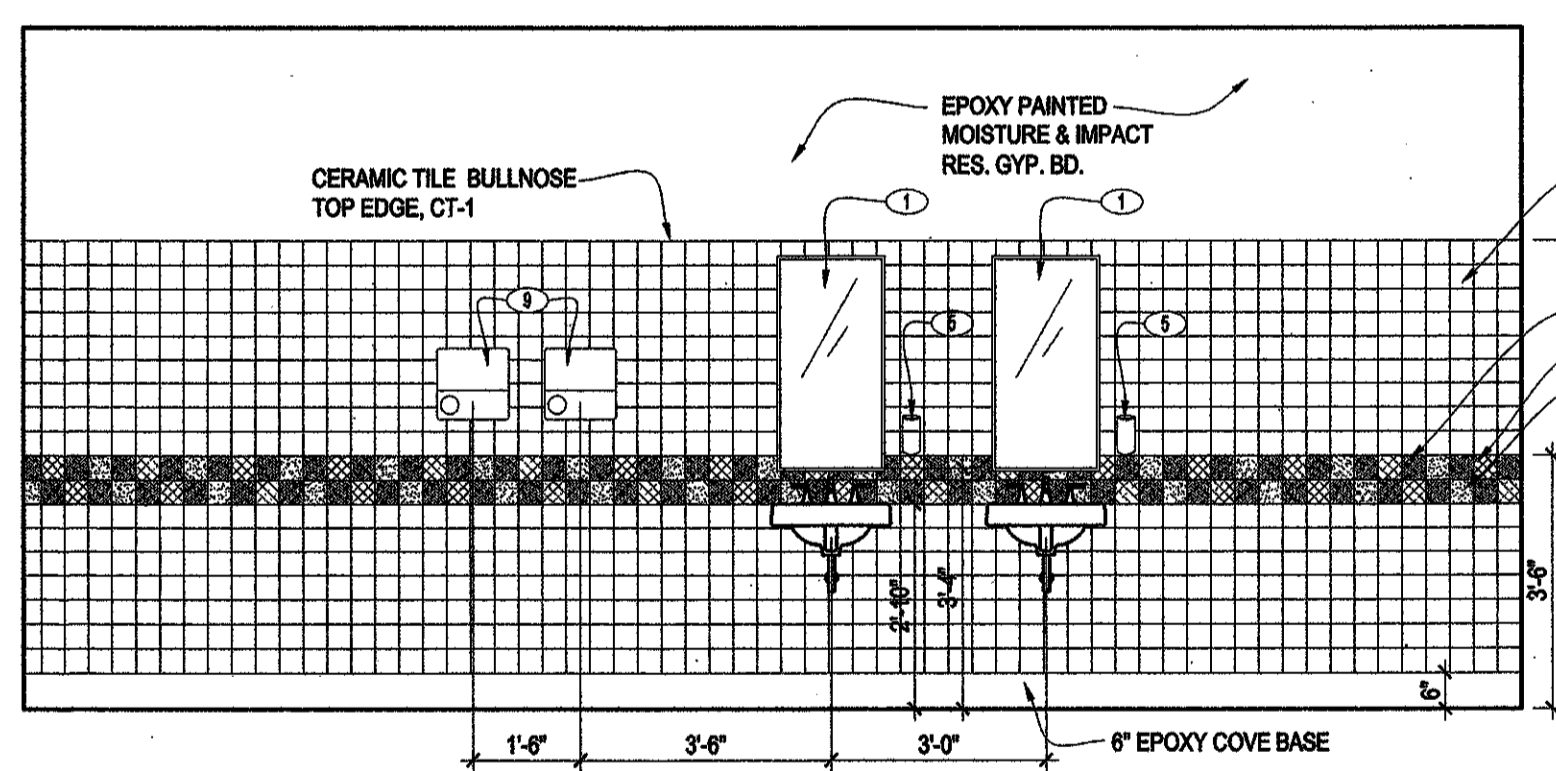
**10** INTERIOR ELEVATION - HOME ECONOMICS  
A4.01 3/8" = 1'-0"



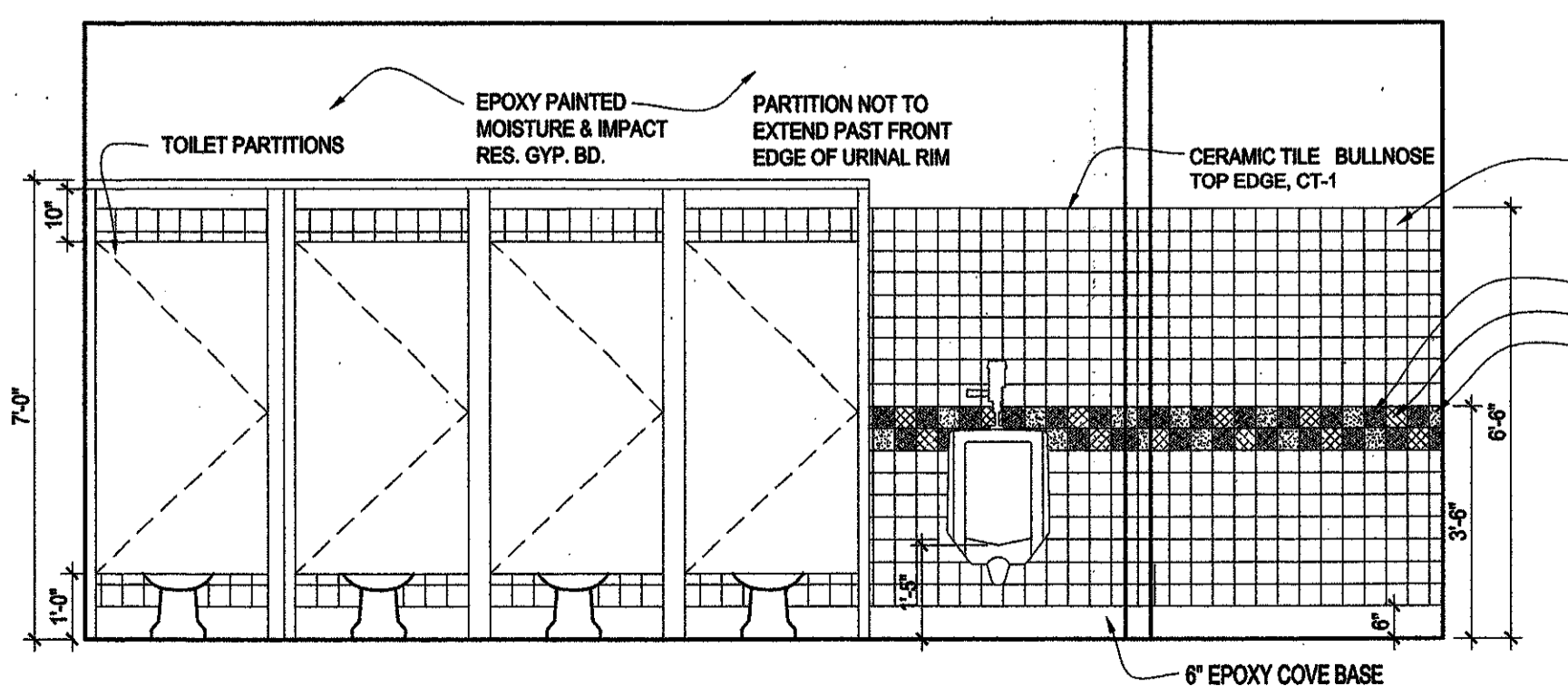
**9** INTERIOR ELEVATION - HOME ECONOMICS 120  
A4.01 3/8" = 1'-0"



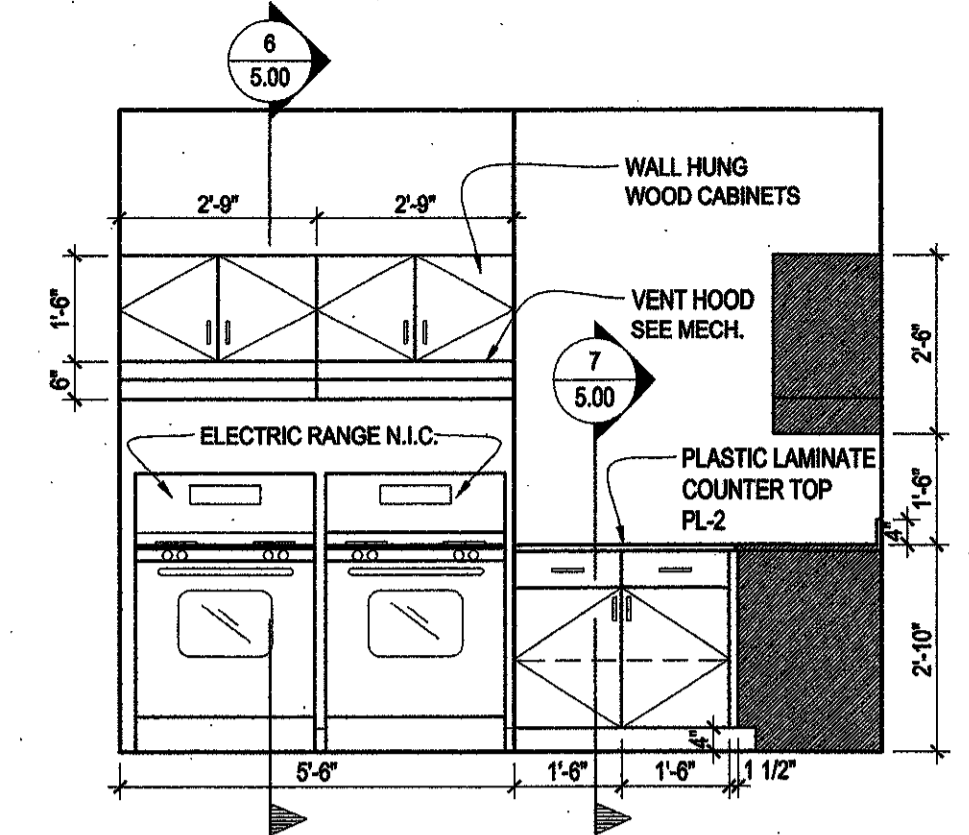
**7** INTERIOR ELEVATION - HOME ECONOMICS 120  
A4.01 3/8" = 1'-0"



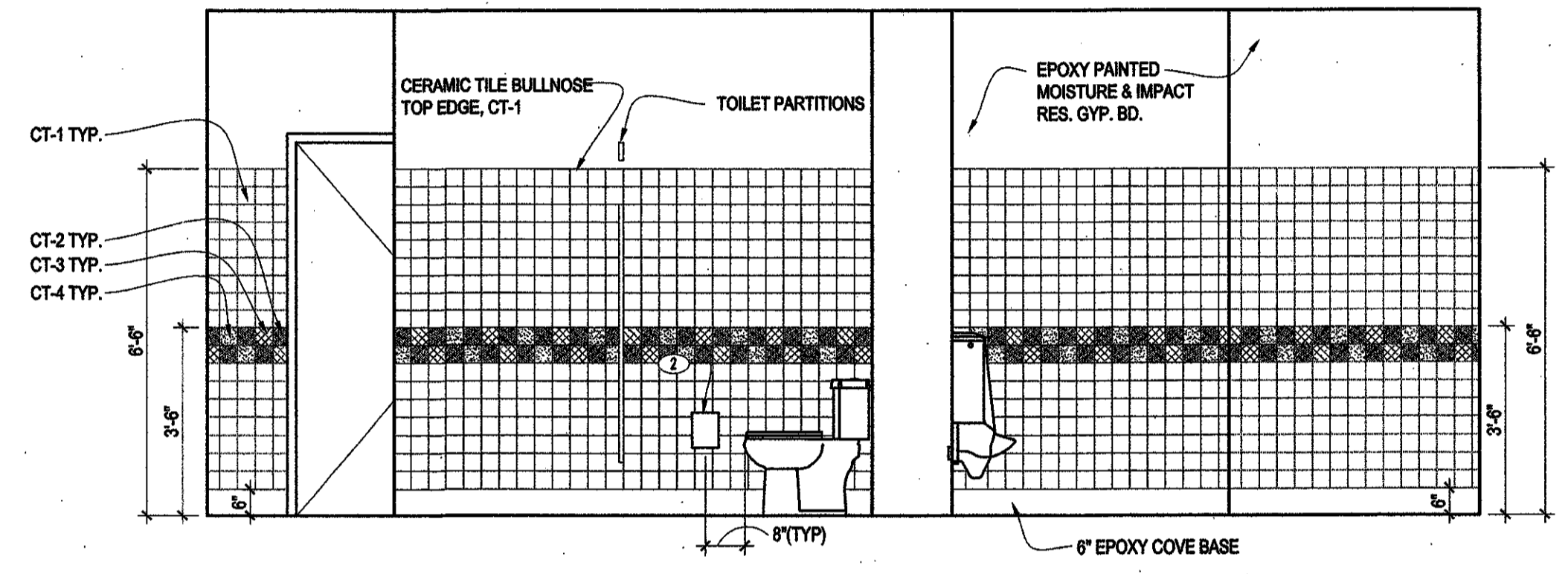
**6** INTERIOR ELEVATION - BOYS RESTROOM 121 BLDG. "A"  
A4.01 3/8" = 1'-0"



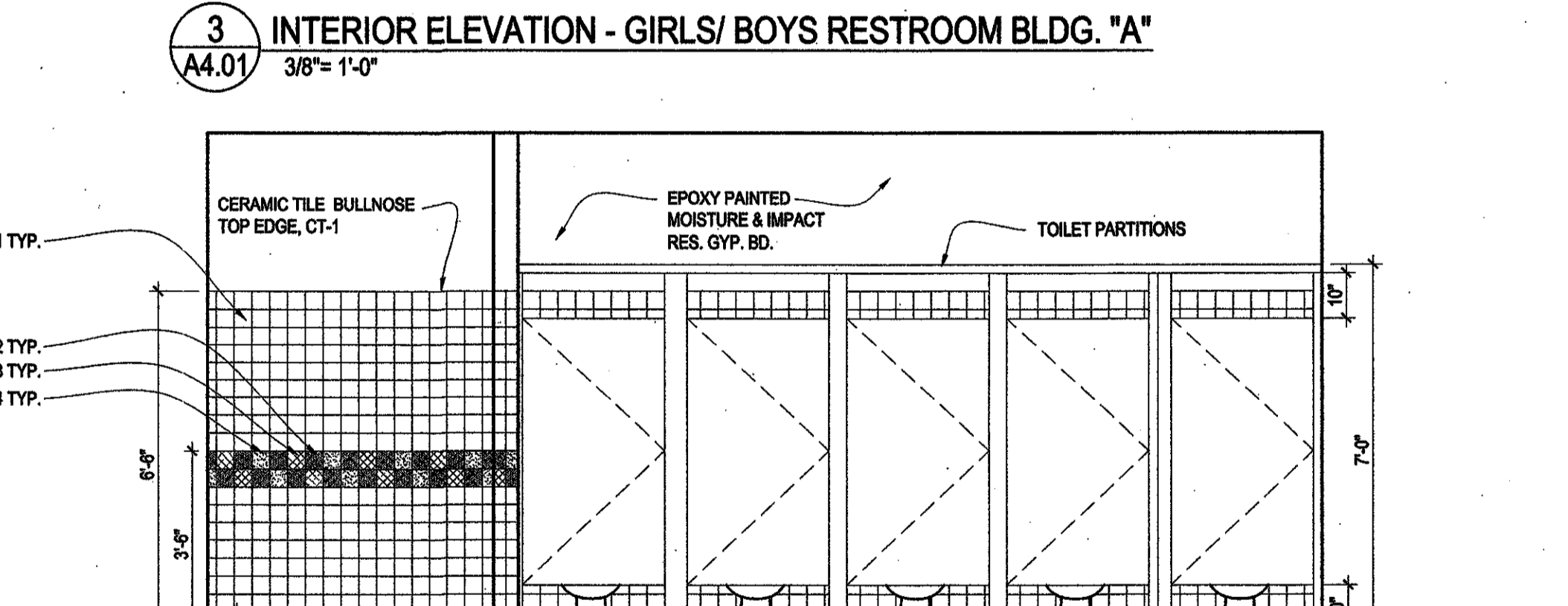
**5** INTERIOR ELEVATION - BOYS RESTROOM 121 BLDG. "A"  
A4.01 3/8" = 1'-0"



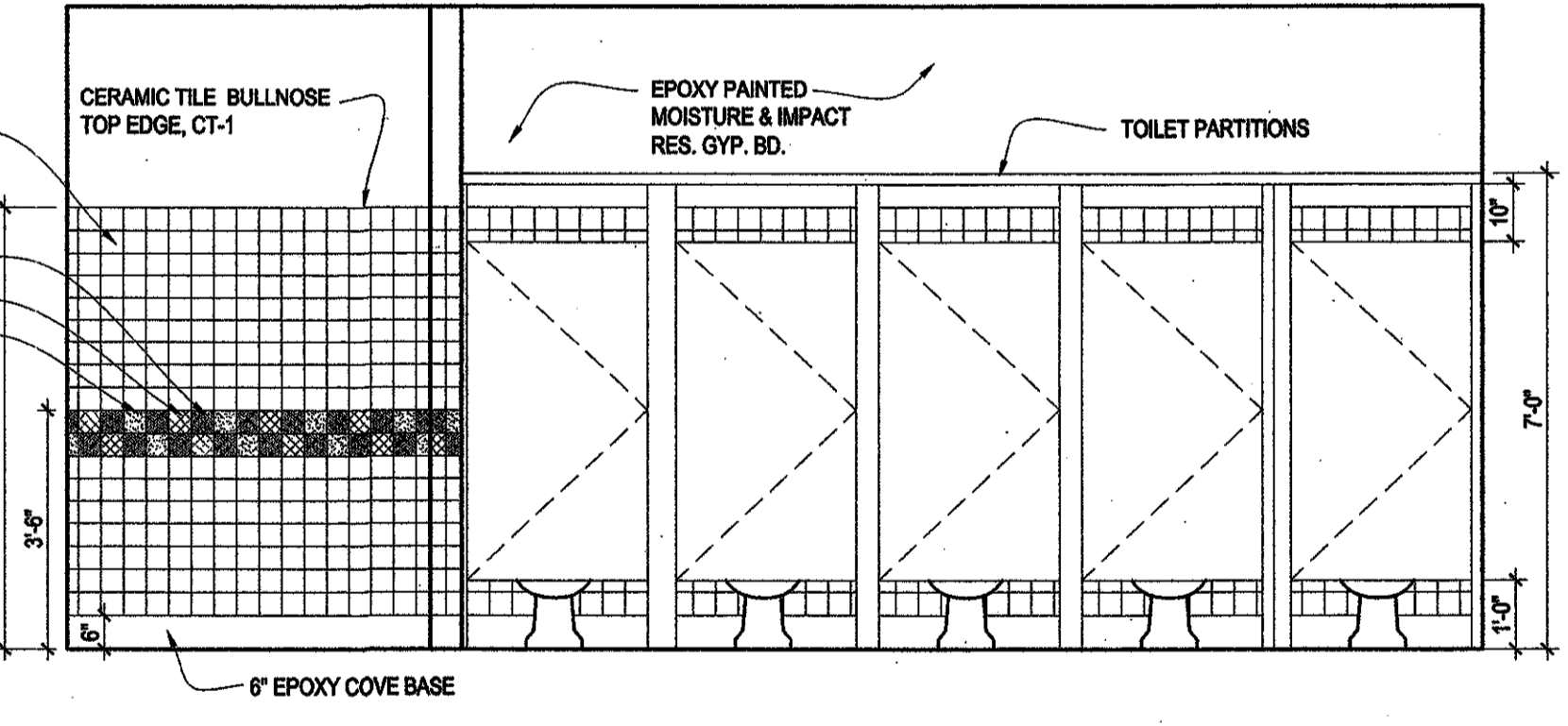
**8** INTERIOR ELEVATION - HOME ECONOMICS 120  
A4.01 3/8" = 1'-0"



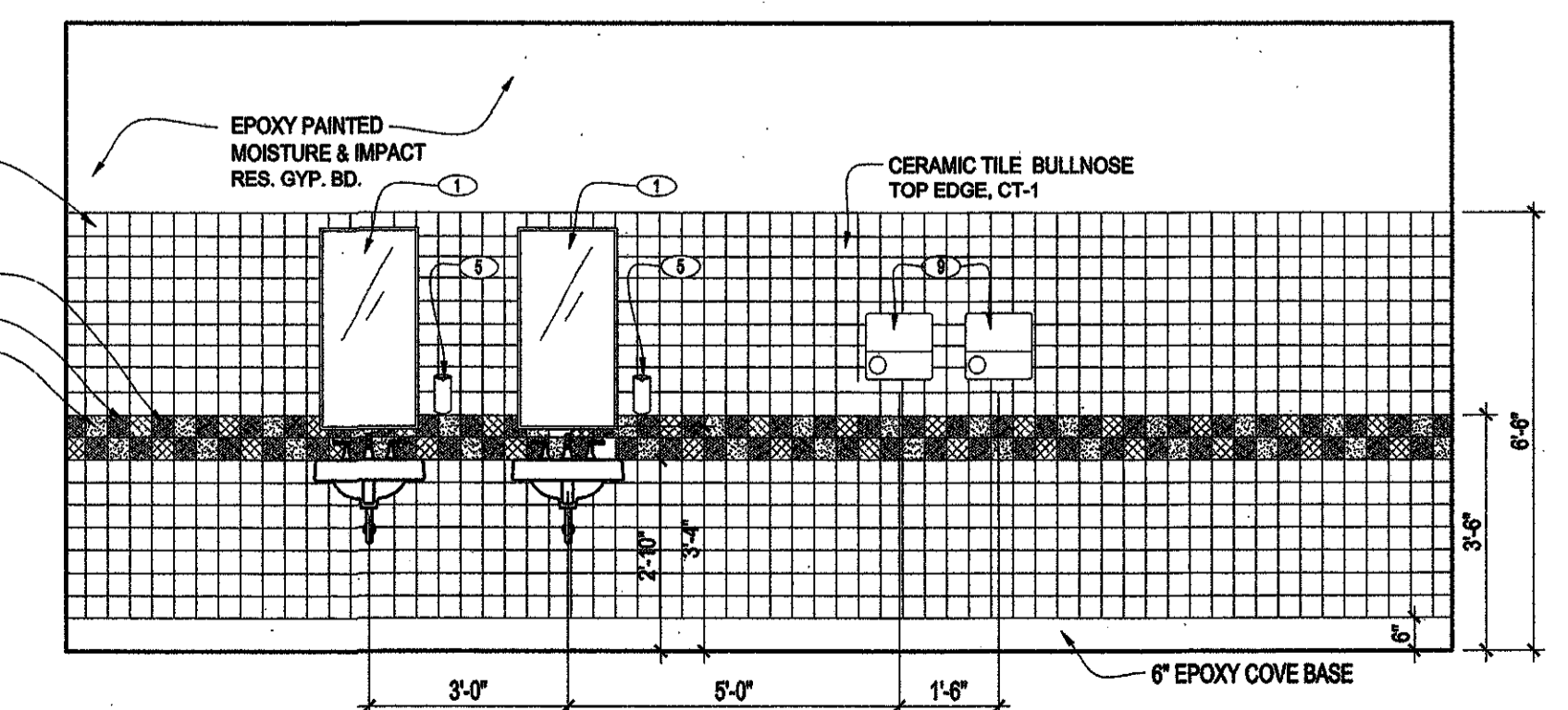
**4** INTERIOR ELEVATION - GIRLS/ BOYS RESTROOM BLDG. "A"  
A4.01 3/8" = 1'-0"



**3** INTERIOR ELEVATION - GIRLS/ BOYS RESTROOM BLDG. "A"  
A4.01 3/8" = 1'-0"



**2** INTERIOR ELEVATION - GIRLS RESTROOM 123 BLDG. "A"  
A4.01 3/8" = 1'-0"



**1** INTERIOR ELEVATION - GIRLS RESTROOM 123 BLDG. "A"  
A4.01 3/8" = 1'-0"