

**RENOVATIONS AND ADDITION
TO CLASSROOM BUILDINGS
FOLSOM JR. HIGH SCHOOL
ST. TAMMANY PARISH SCHOOL BOARD**

FOLSOM, LOUISIANA

83055 HAY HOLLOW ROAD

DATE ISSUED: 10 JUNE 2009
REVISED:
REVISED:
REVISED:
REVISED:
DRAWN BY: JAB, RMH
CHECKED BY: CEV

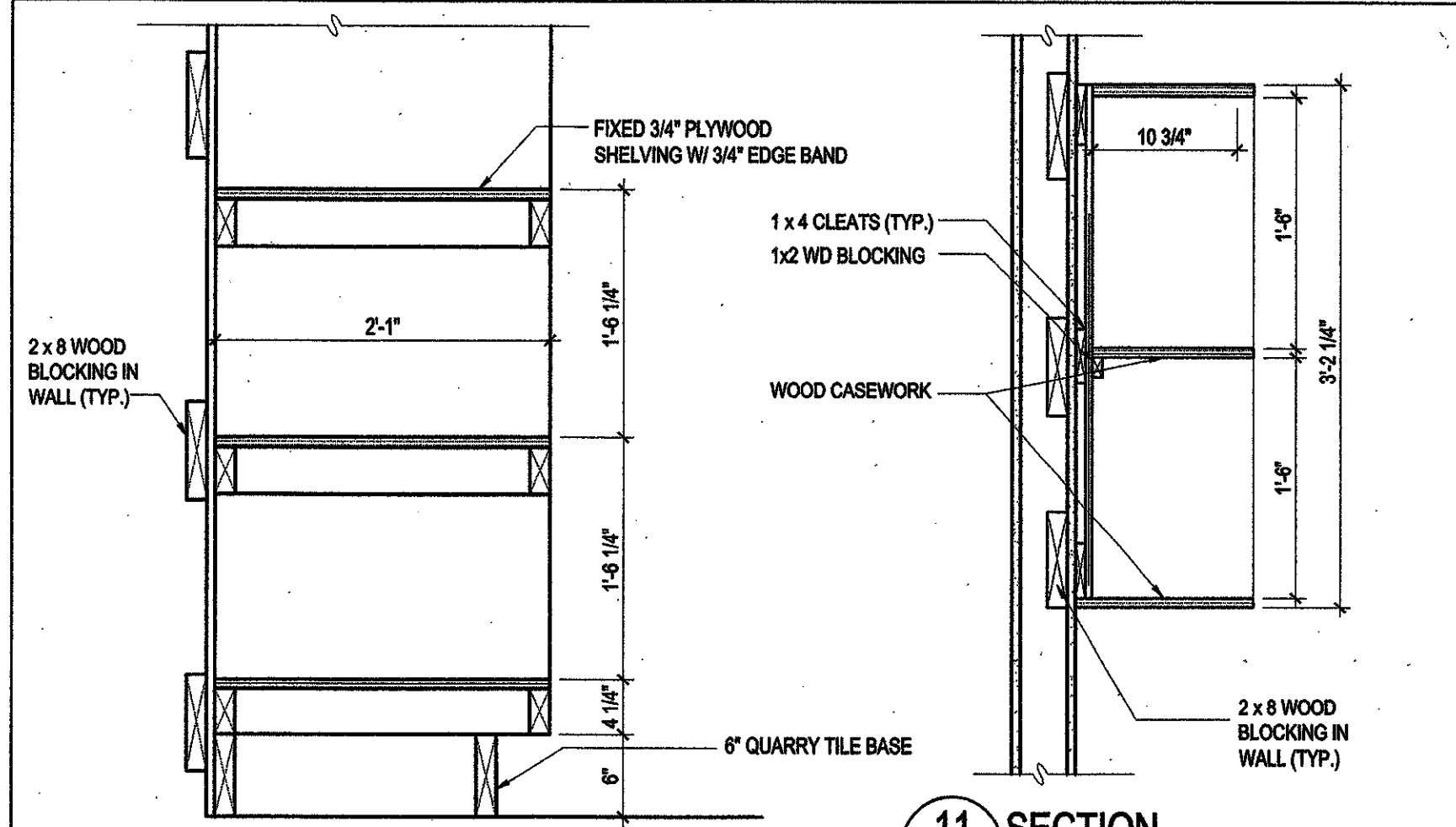
PHASE:
**CONSTRUCTION
DOCUMENTS**

08060

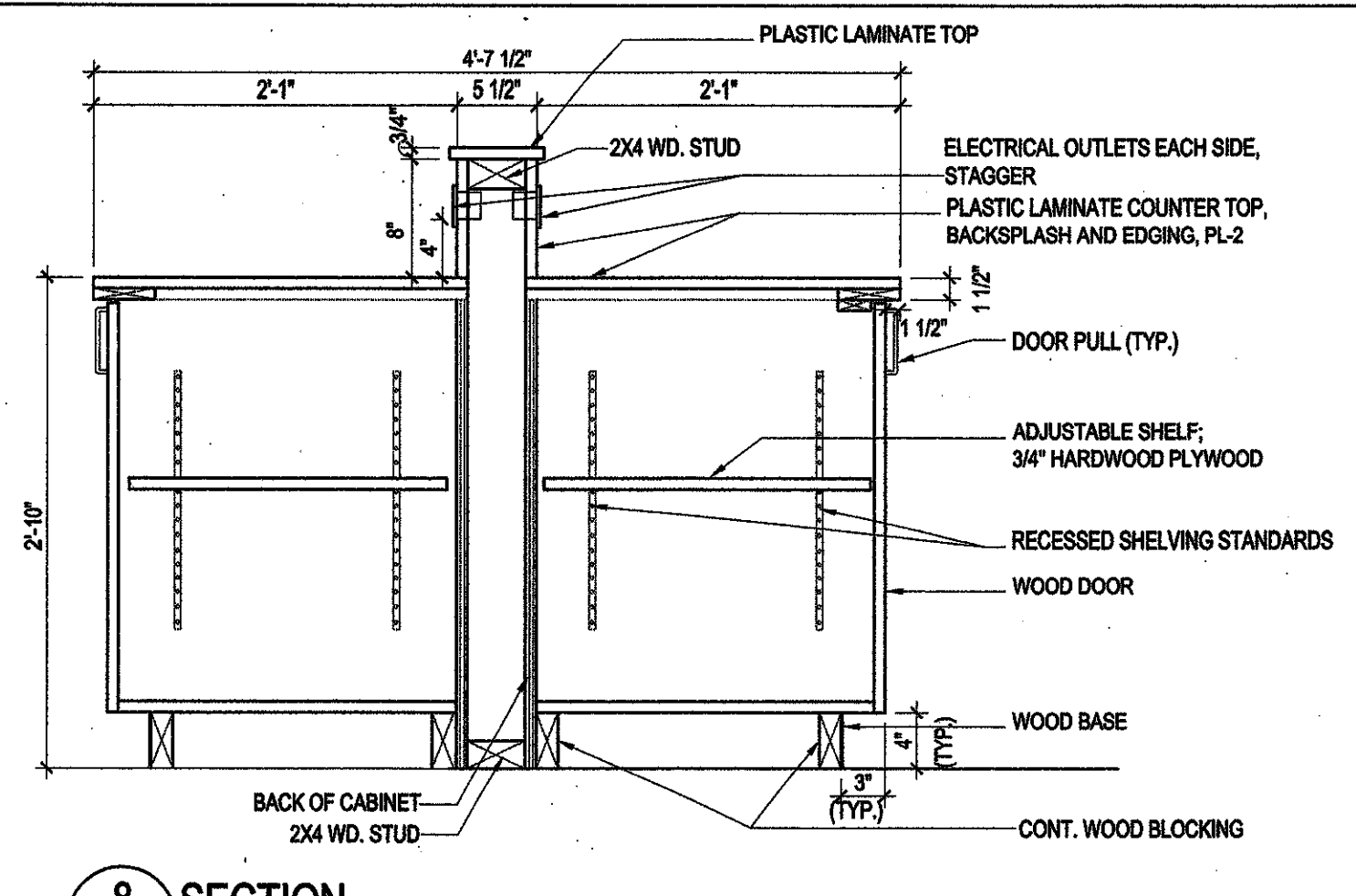
TITLE:
**CASEWORK DETAILS
CLASSROOM BLDG. "A"**

SHEET:

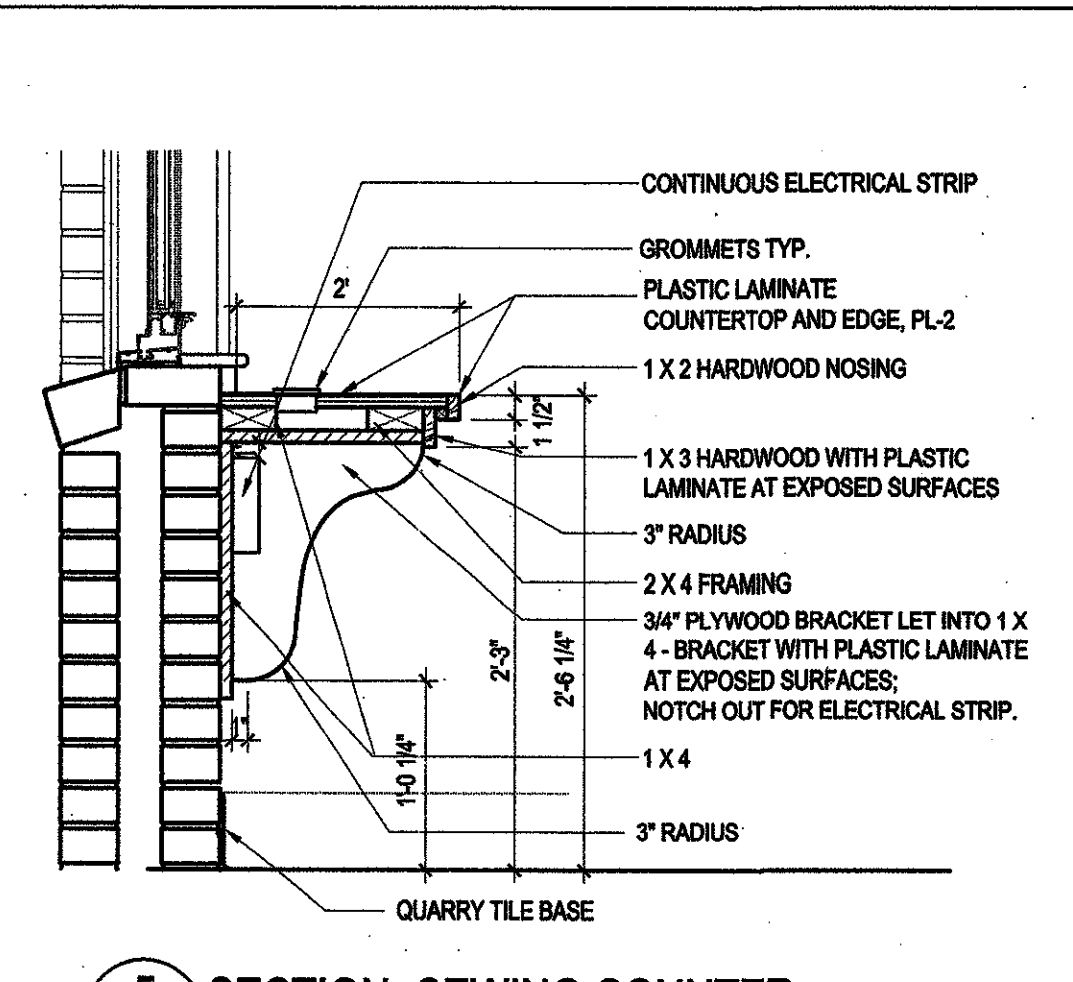
A5.00



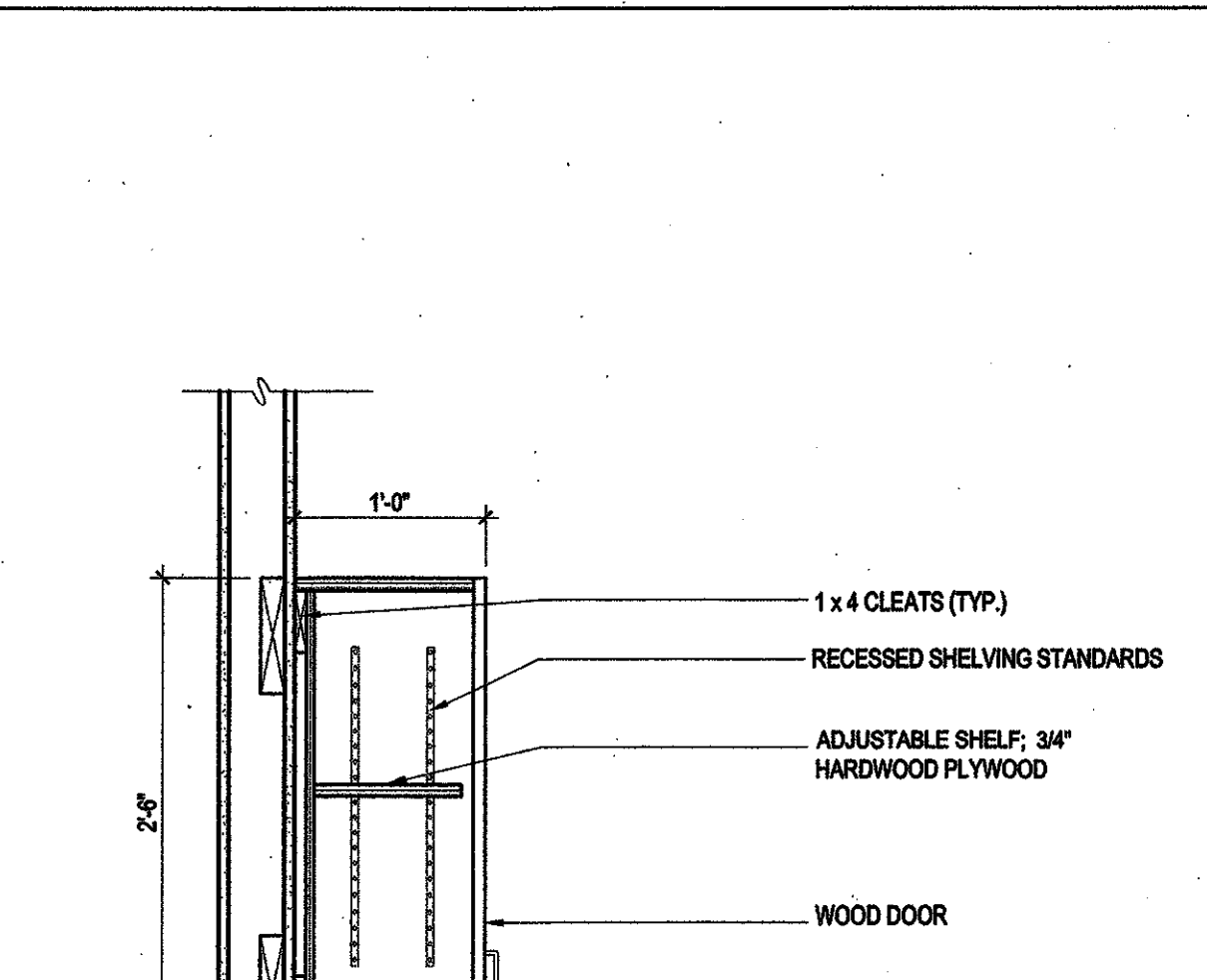
14 SECTION-FIXED SHELVES
A5.00 1"=1'-0"



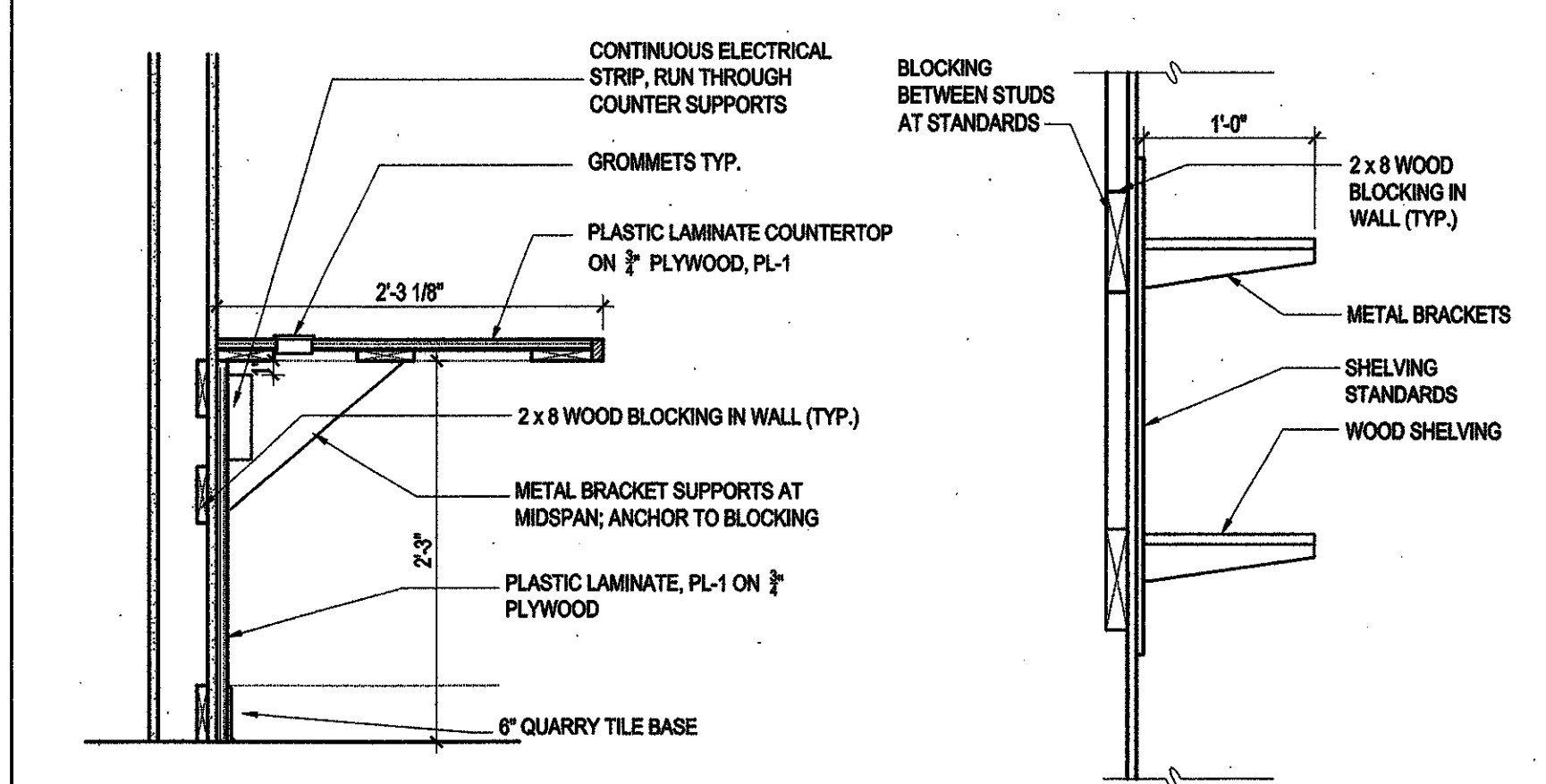
8 SECTION
A5.00 1"=1'-0"



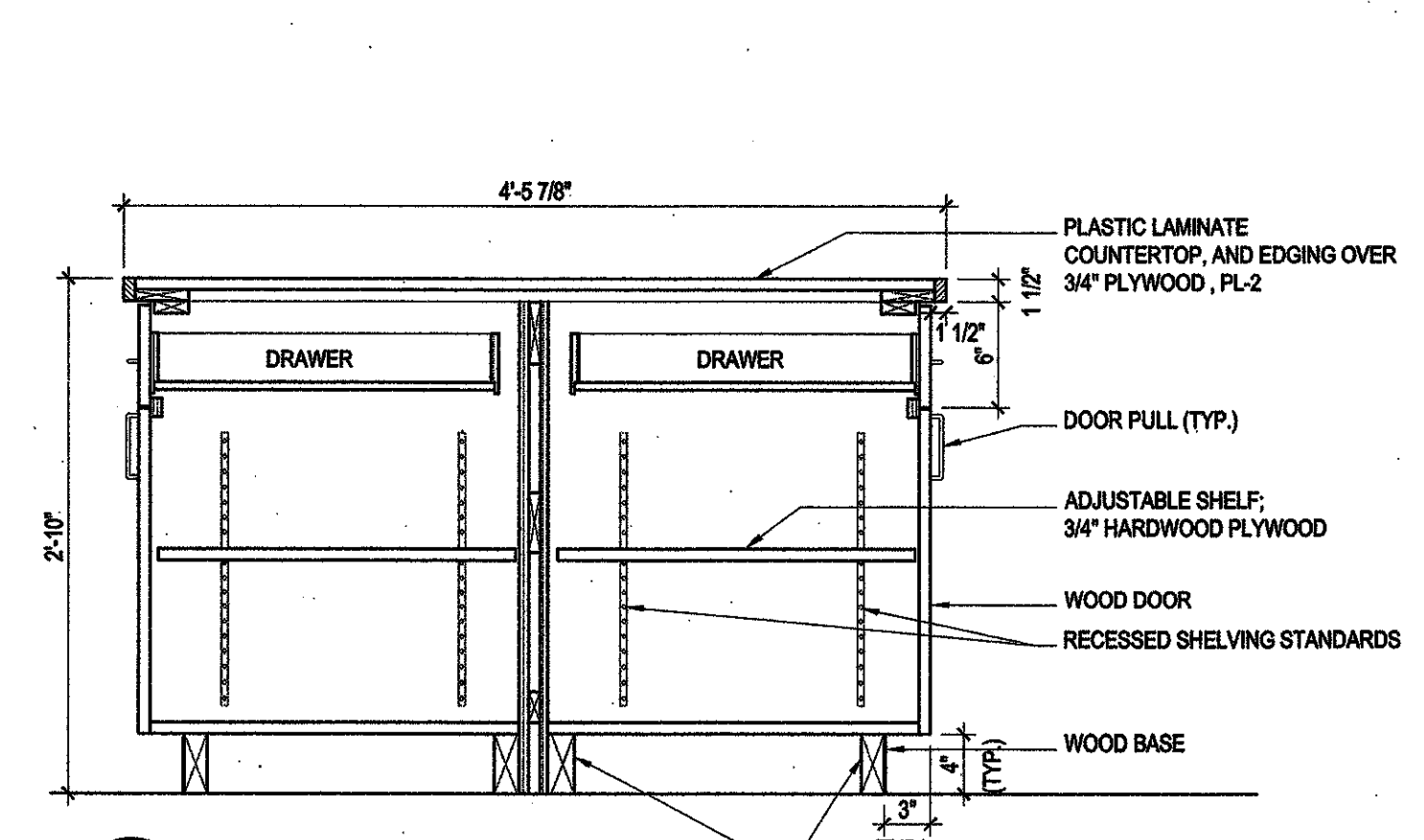
5 SECTION- SEWING COUNTER
A5.00 1"=1'-0"



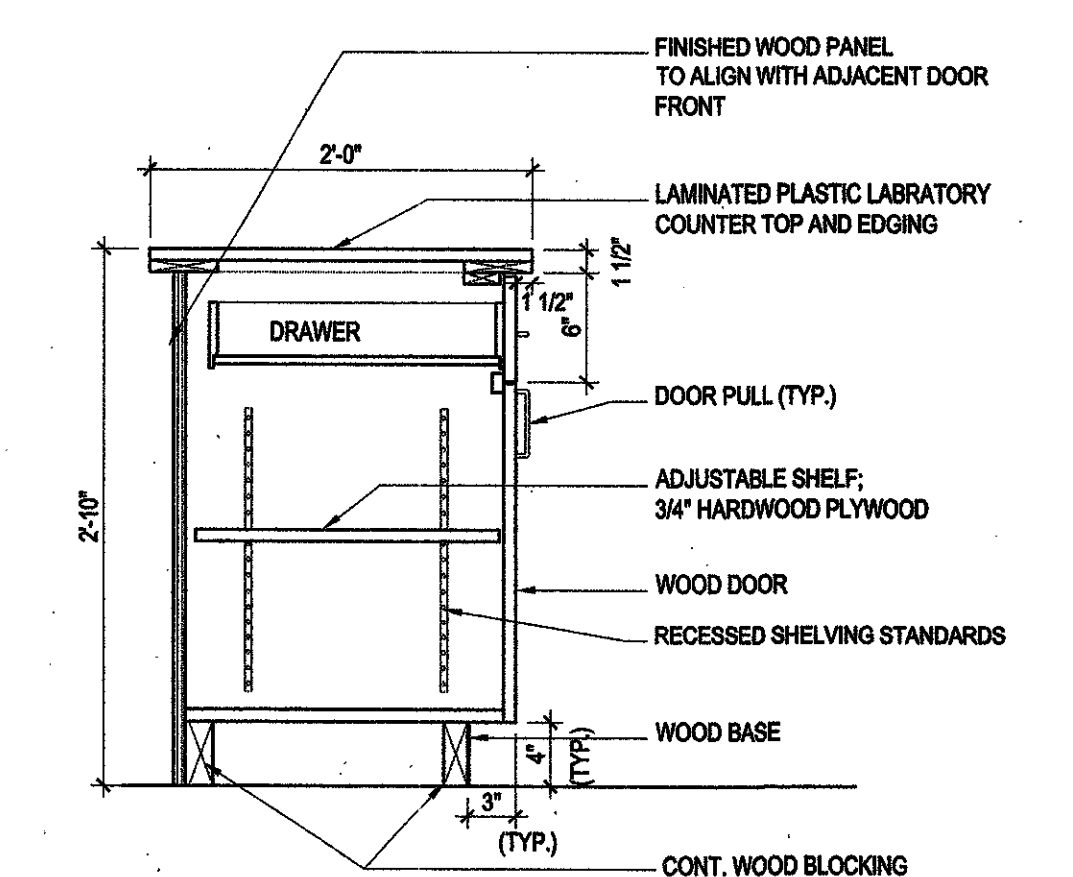
2 SECTION
A5.00 1"=1'-0"



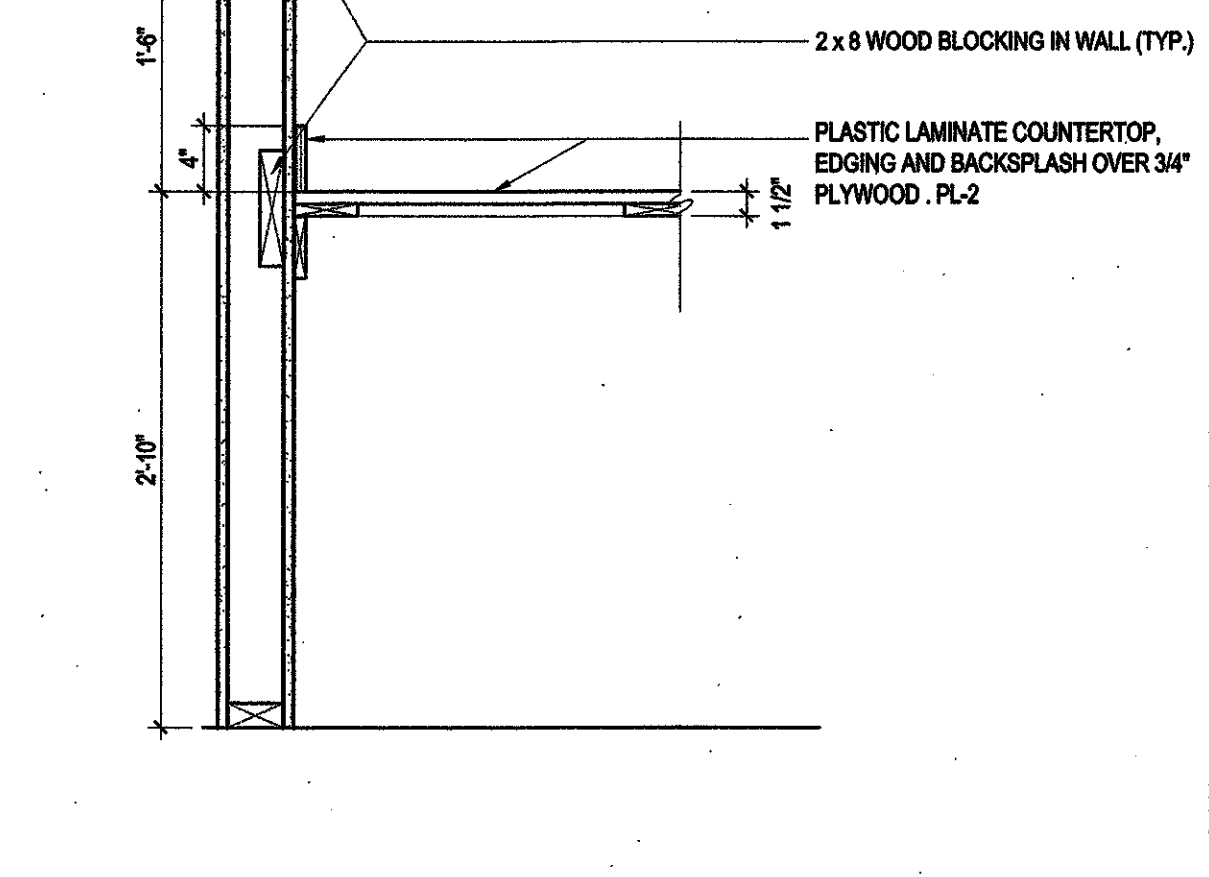
13 SECTION-COMPUTER DESK
A5.00 1"=1'-0"



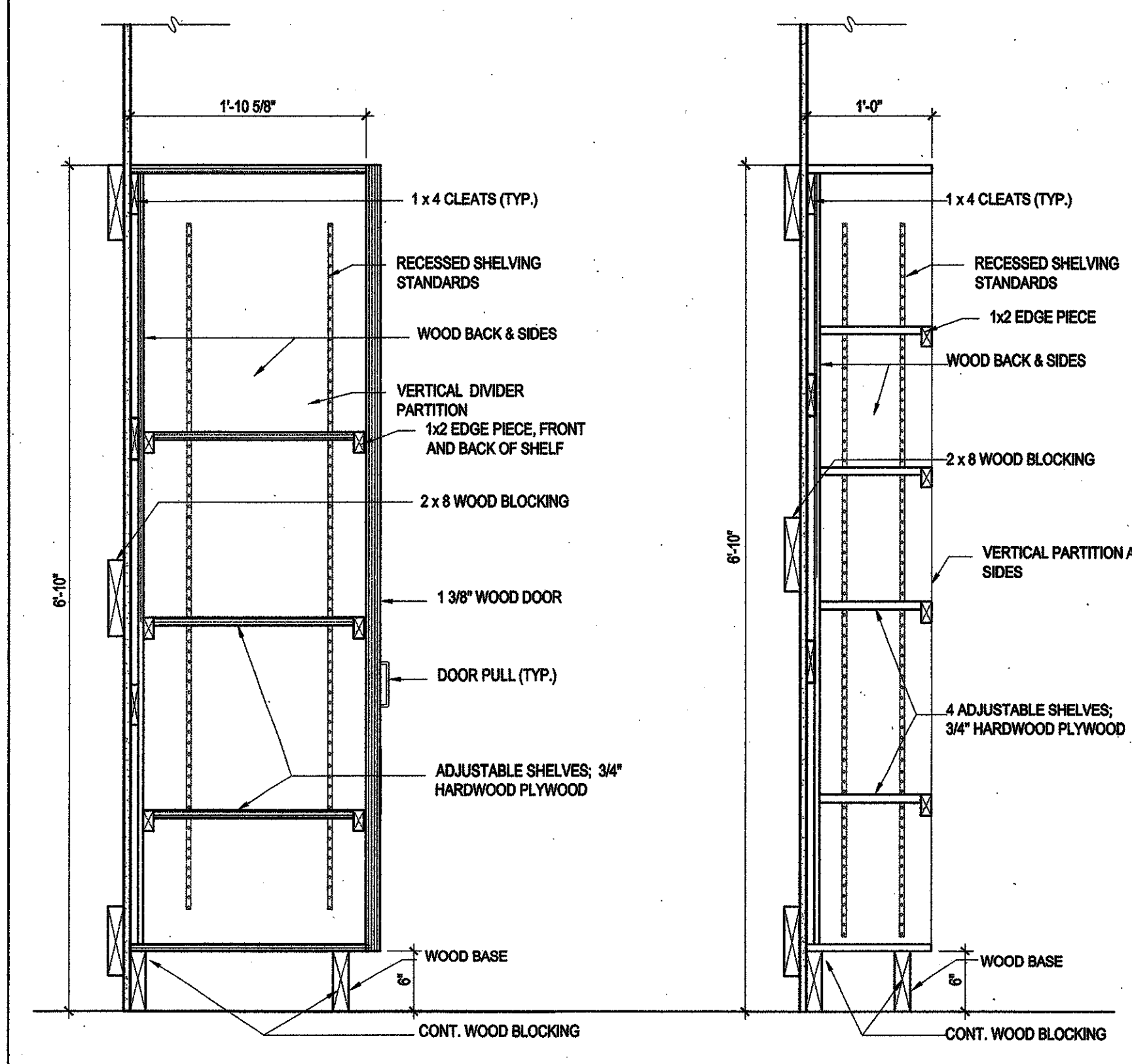
7 SECTION
A5.00 1"=1'-0"



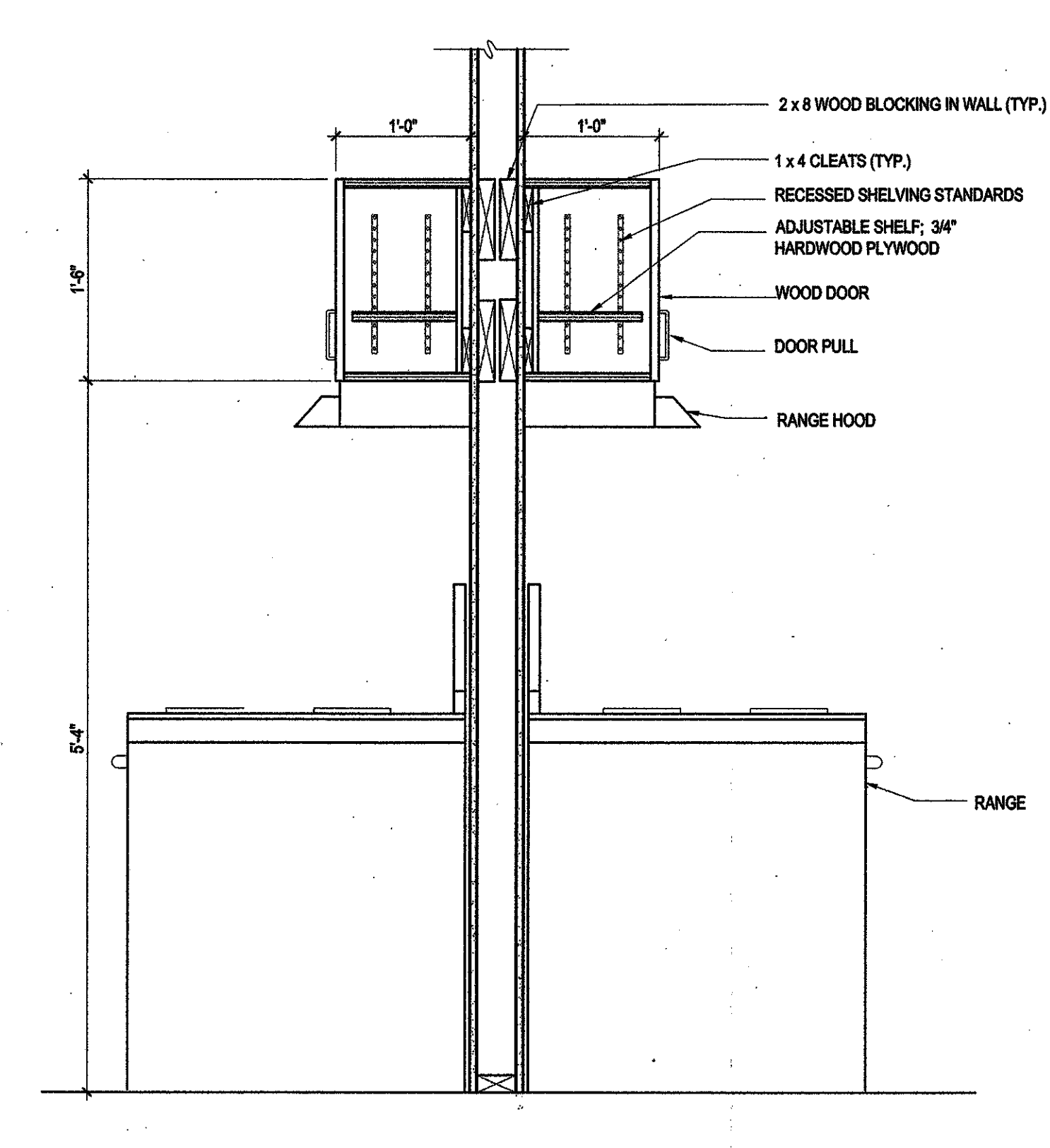
4 SECTION
A5.00 1"=1'-0"



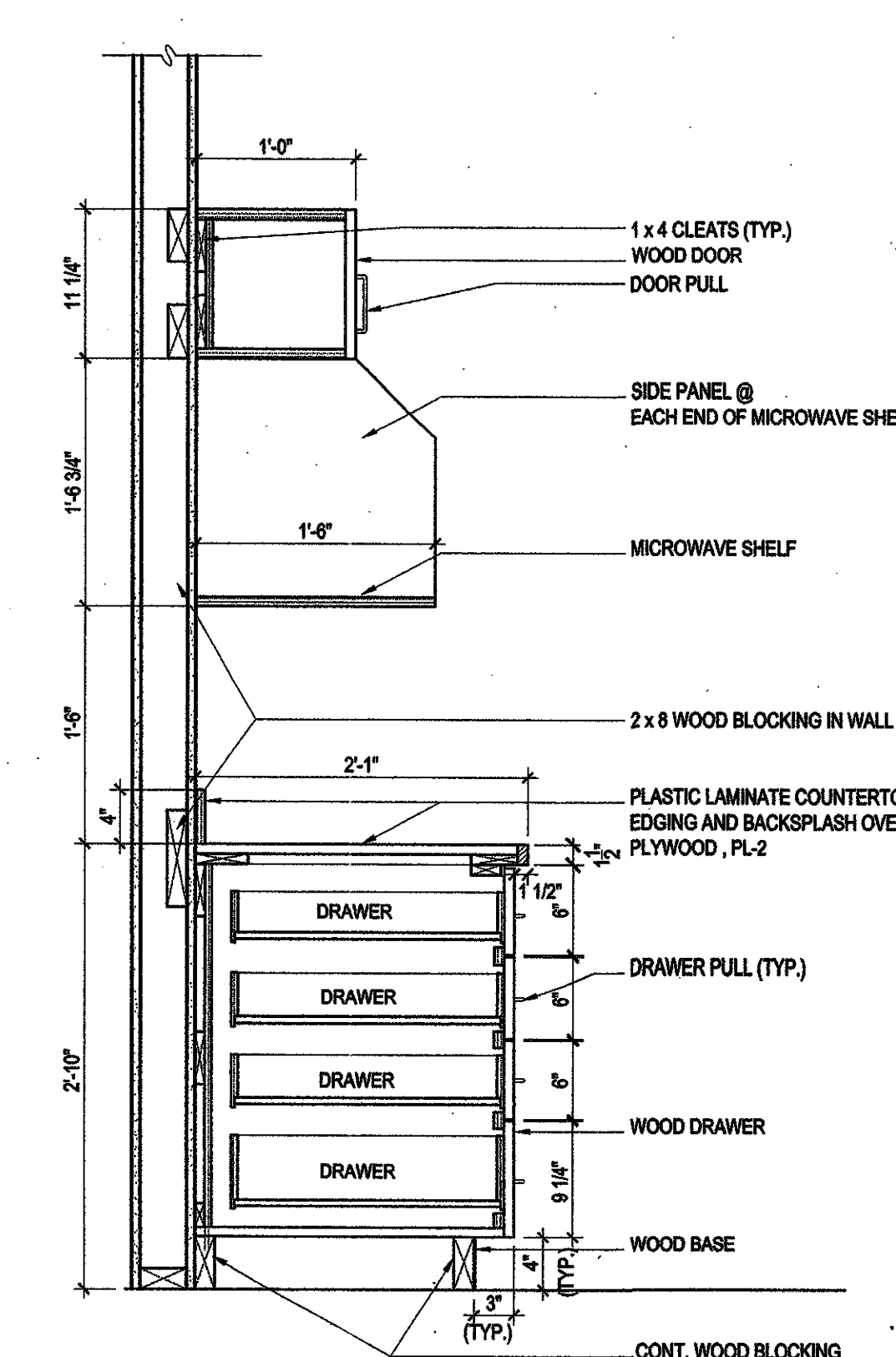
10 SECTION @ ADJUSTABLE SHELVES
A5.00 1"=1'-0"



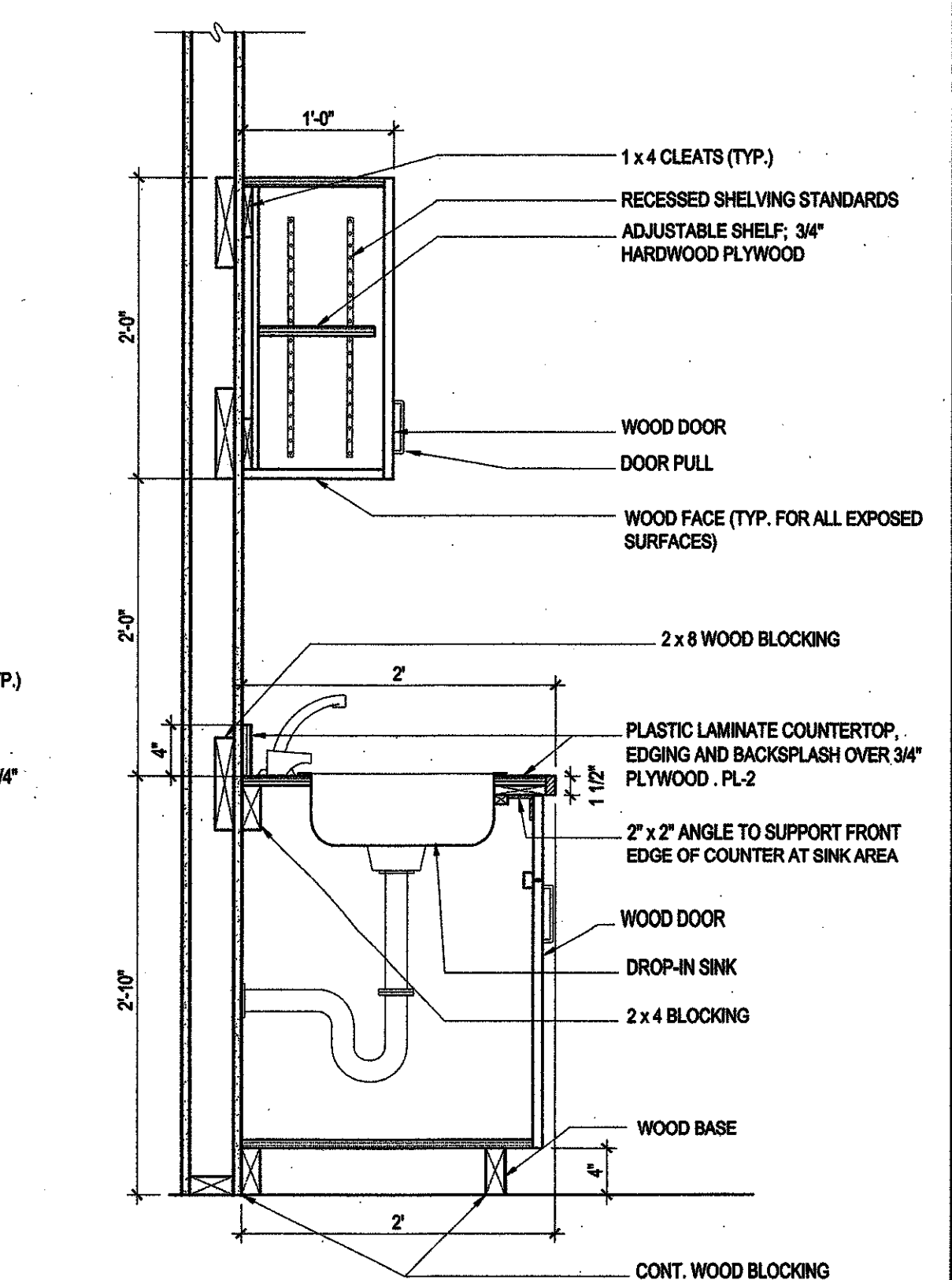
12 SECTION
A5.00 1"=1'-0"



6 SECTION
A5.00 1"=1'-0"



3 SECTION
A5.00 1"=1'-0"



1 SECTION
A5.00 1"=1'-0"