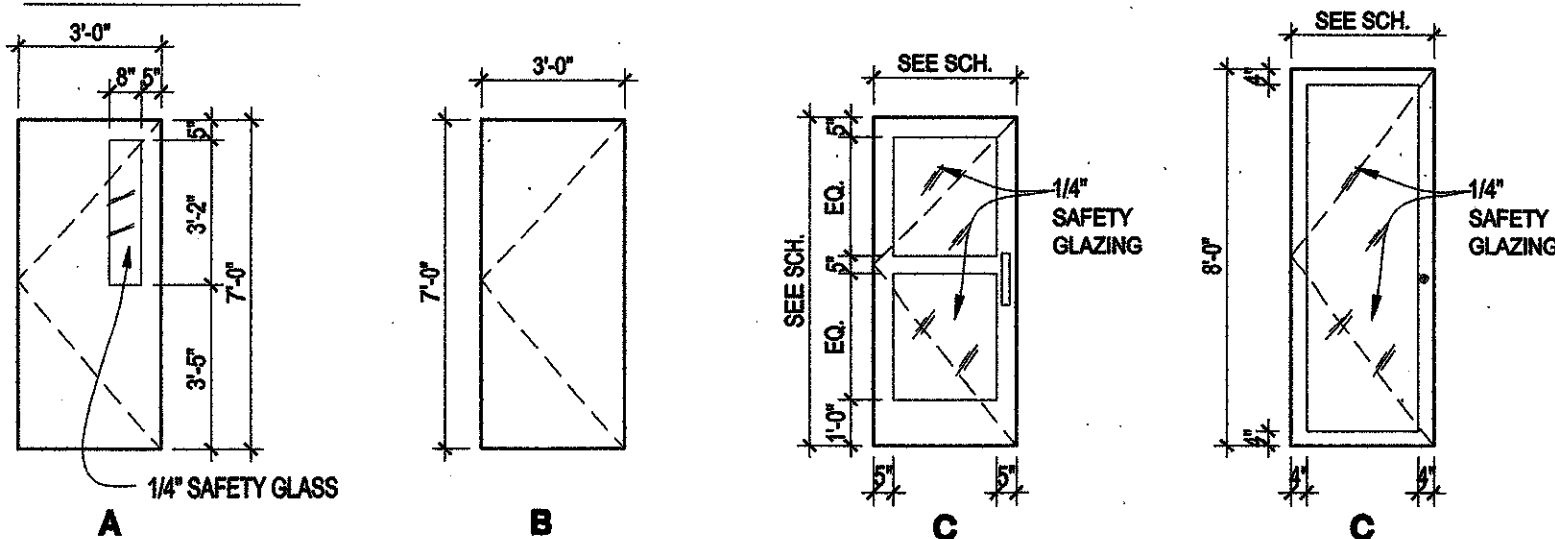
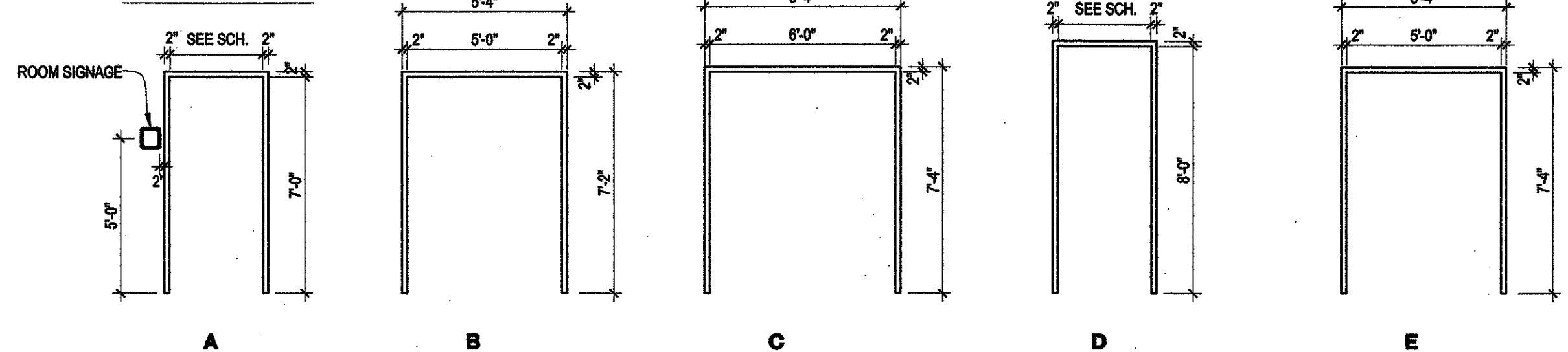


DOOR TYPES



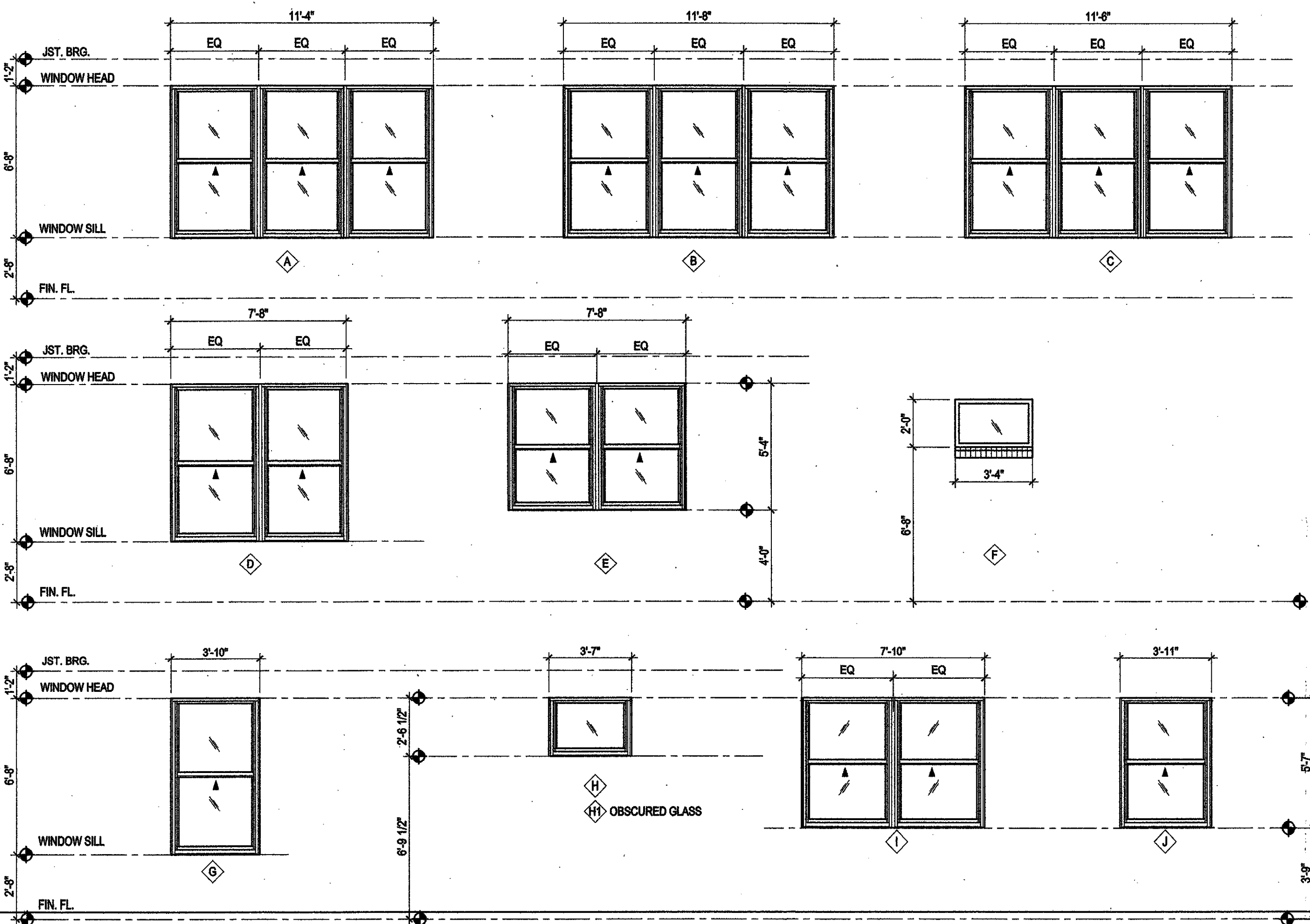
NOTES: ALL DOORS TO BE 1-3/4\"/>

FRAME TYPES



NOTE: SEE OPENING SCHEDULE FOR SIGNAGE LOCATIONS. ALL SIGNAGES SHALL BE AT LATCH SIDE OF DOOR AS PER ADA REQUIREMENTS. METAL TRIM PAINT COLOR TO BE SELECTED BY ARCHITECT

WINDOW TYPES



NOTE: MINIMUM CLEAR WIDTH FOR WINDOW EGRESS: 20\"/>

DOOR SCHEDULE

#	DOOR	FRAME	ROOM SIGNAGE		REMARKS				
			SIZE	DESCRIPTION					
ELEV. TYPE	WIDTH	HEIGHT	ELEV. TYPE	MTL.	HEAD	JAMB	SILL	RATING	SIGNAGE TEXT
100	E	(2)2'-6\"/>							

REMARKS NOTES:
 1. FIELD VERIFY ALL OPENING AND OTHER DIMENSIONS PRIOR TO FABRICATION
 2. OBSCURED GLASS
 3. MANUFACTURERS STD. SCREEN @ ALL OPERABLE WINDOWS

WINDOW SCHEDULE

TYPE	SIZE		DESCRIPTION	MTL.	DETAIL			REMARKS
	WIDTH	HEIGHT			HEAD	JAMB	SILL	
A	11'-4\"/>							

VergesRome
 Architects
 320 N. Carrollton Avenue, Suite 100
 New Orleans, Louisiana 70119
 t. 504.488.7739 f. 504.488.7743
 www.VergesRome.com
 © copyright 2009

RENOVATIONS AND ADDITION TO CLASSROOM BUILDINGS TO CLASSROOM BUILDINGS FOLSOM JR. HIGH SCHOOL ST. TAMMANY PARISH SCHOOL BOARD
 FOLSOM, LOUISIANA
 88055 HAY HOLLOW ROAD

DATE ISSUED: 10 JUNE 2009
 REVISED:
 REVISED:
 REVISED:
 REVISED:
 DRAWN BY: RAB
 CHECKED BY: CEV
 PHASE:
CONSTRUCTION DOCUMENTS
08060
 TITLE: **OPENING SCHEDULES**
 SHEET: **A6.01**