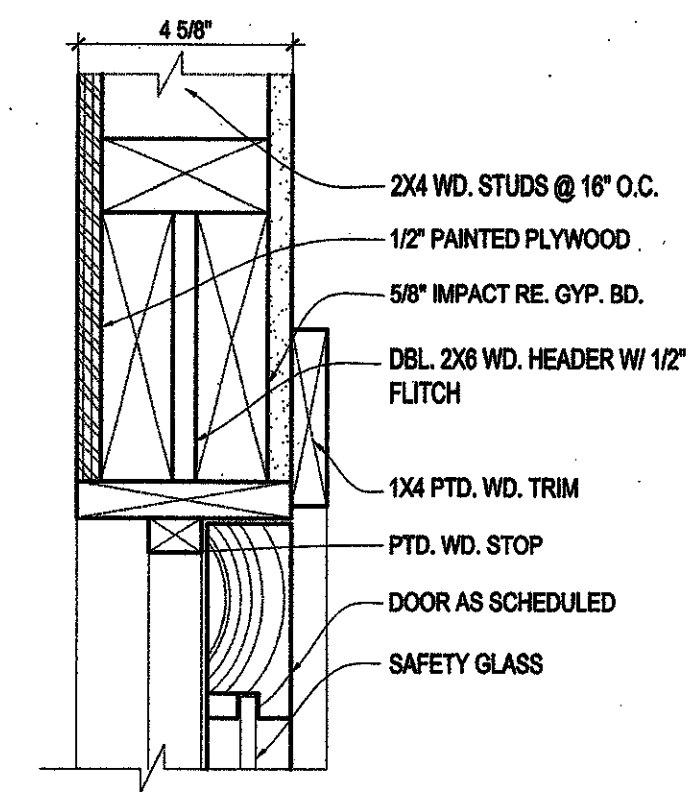
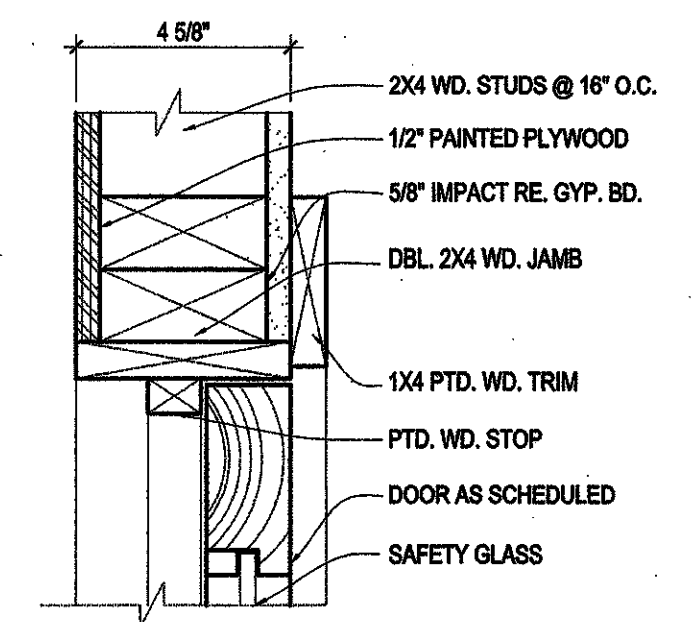


**RENOVATIONS AND ADDITION
TO CLASSROOM BUILDINGS
FOLSOM JR. HIGH SCHOOL
ST. TAMMANY PARISH SCHOOL BOARD**

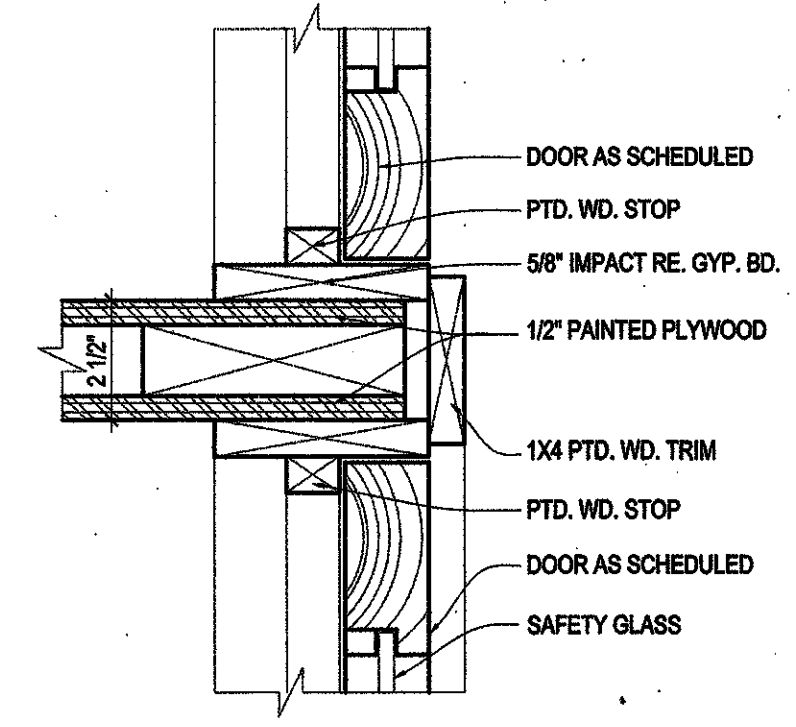
FOLSOM, LOUISIANA
83055 HAY HOLLOW ROAD



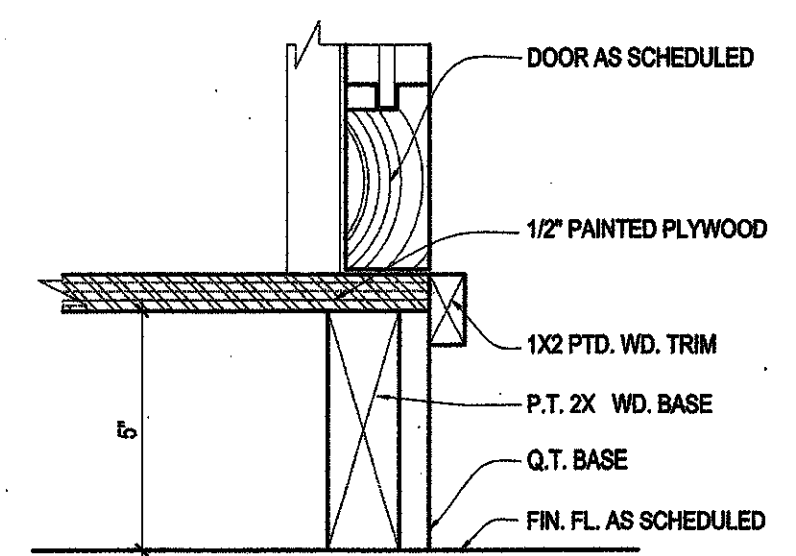
18 DOOR HEAD DETAIL
A6.02 3"= 1'-0"



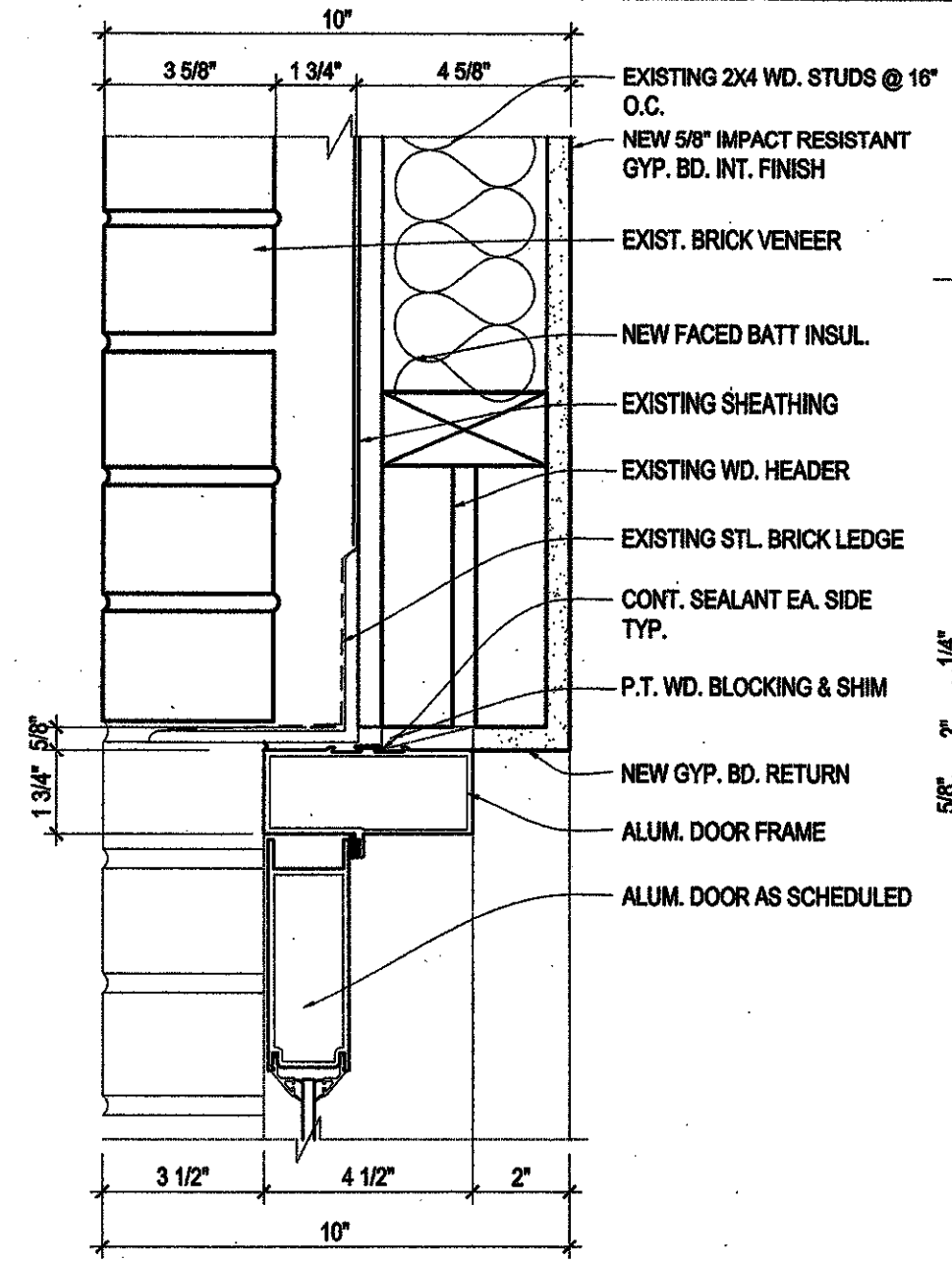
17 DOOR JAMB DETAIL
A6.02 3"= 1'-0"



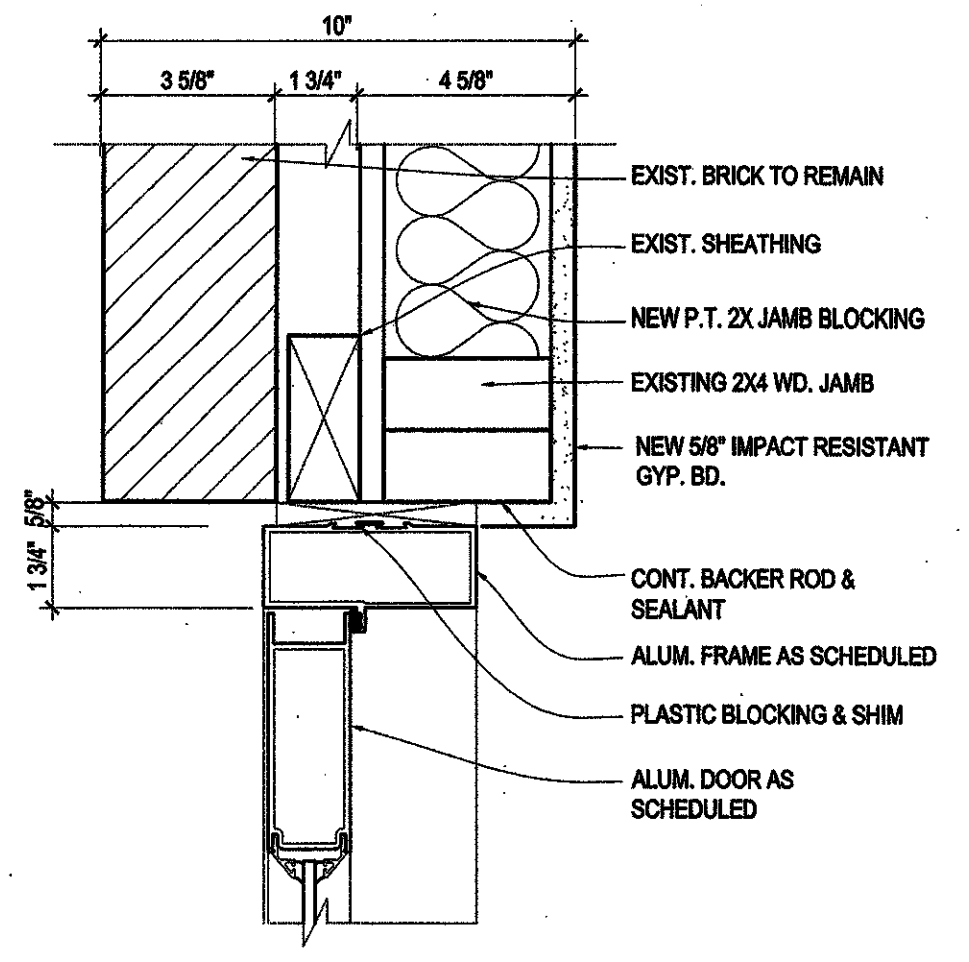
16 DOOR JAMB DETAIL
A6.02 3"= 1'-0"



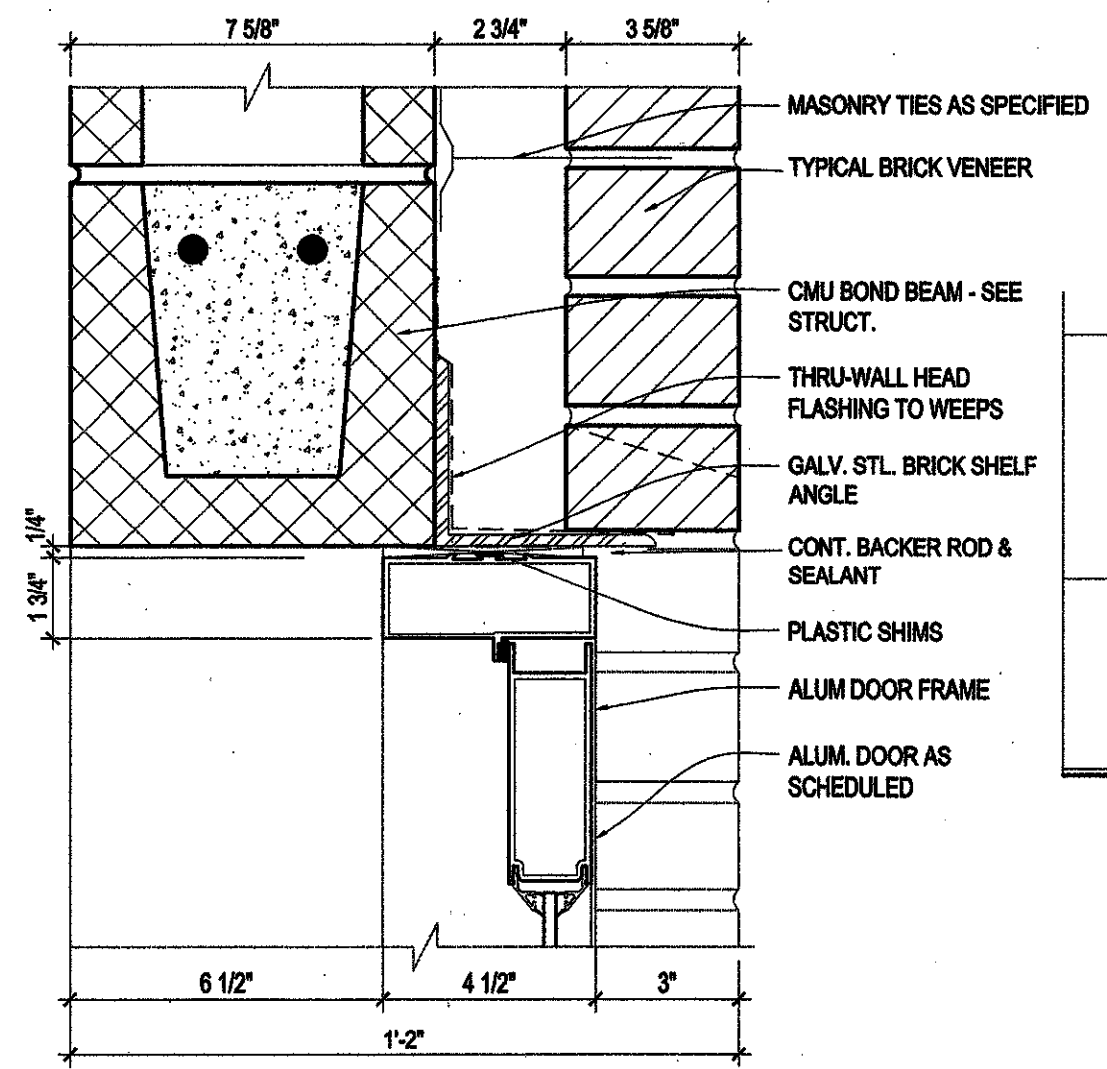
15 DOOR SILL DETAIL
A6.02 3"= 1'-0"



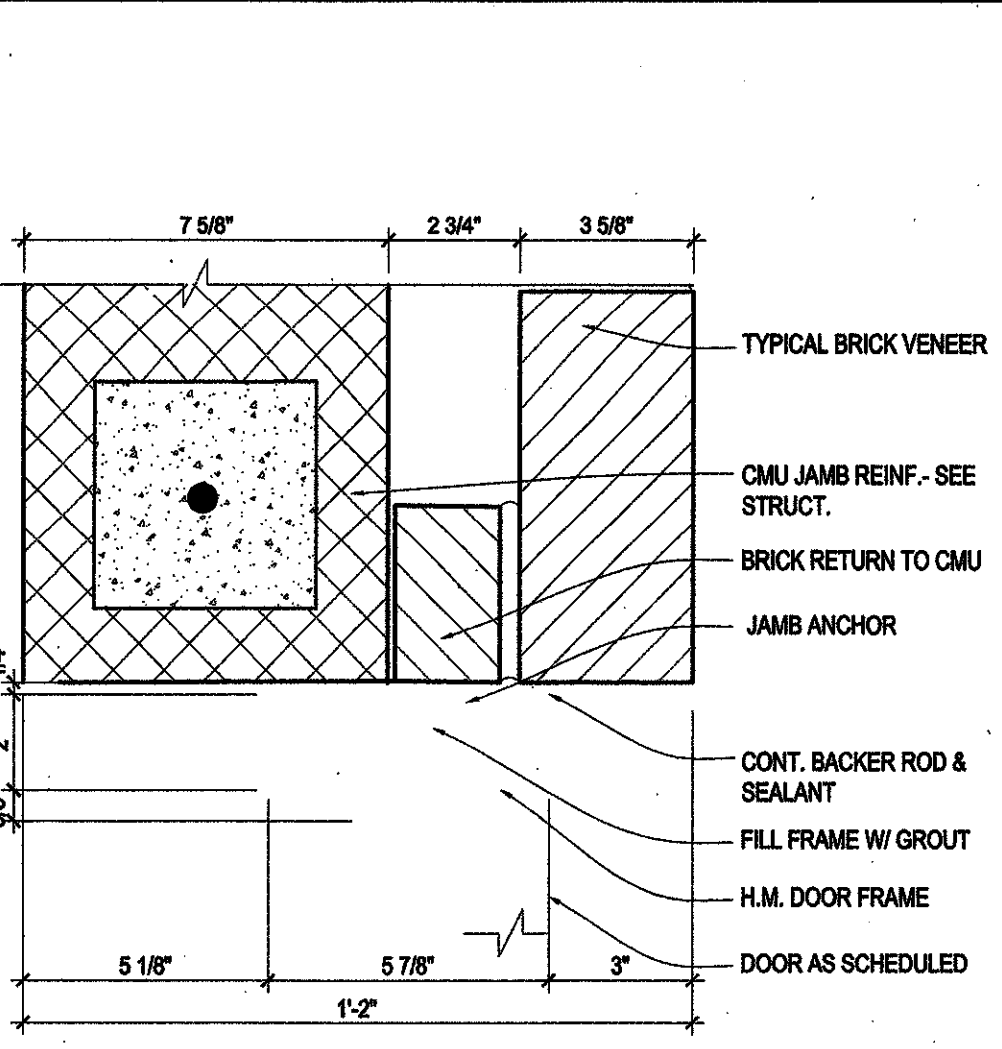
14 DOOR HEAD DETAIL
A6.02 3"= 1'-0"



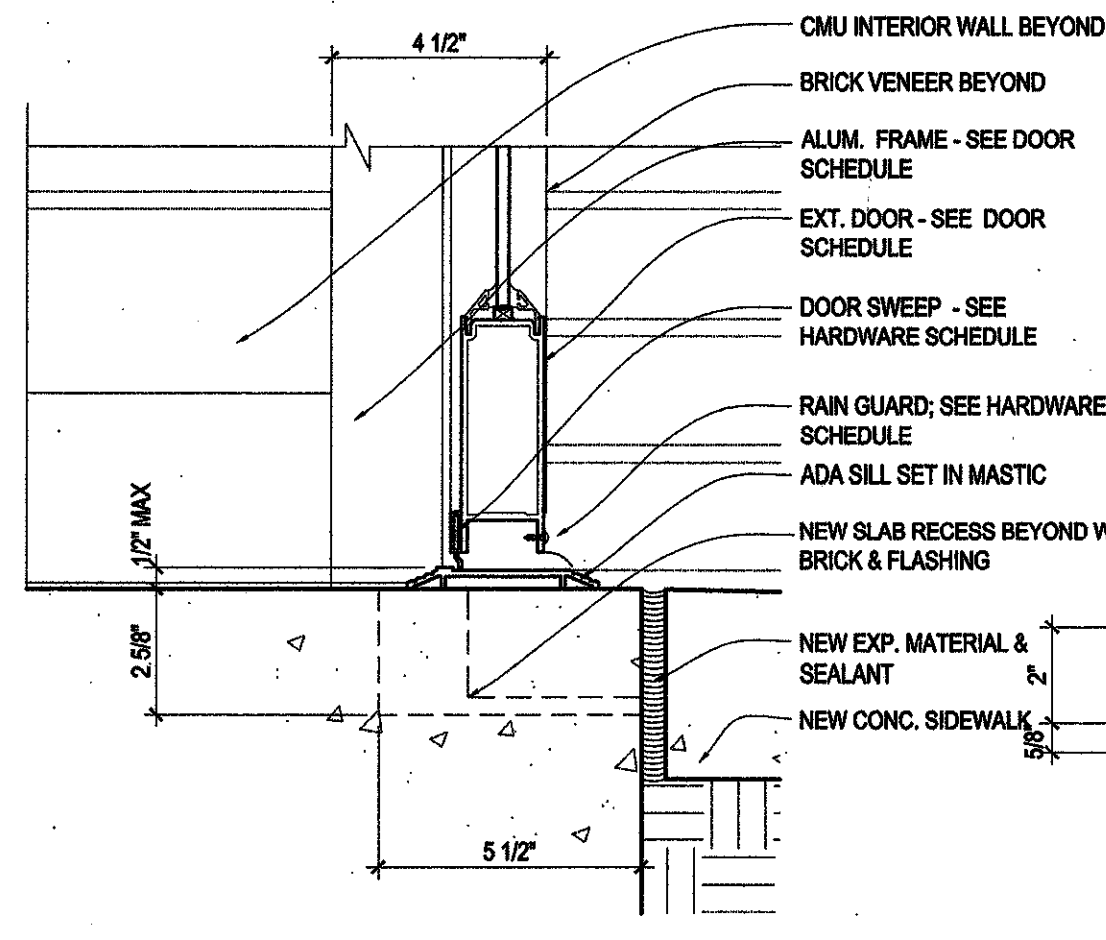
13 DOOR JAMB DETAIL
A6.02 3"= 1'-0"



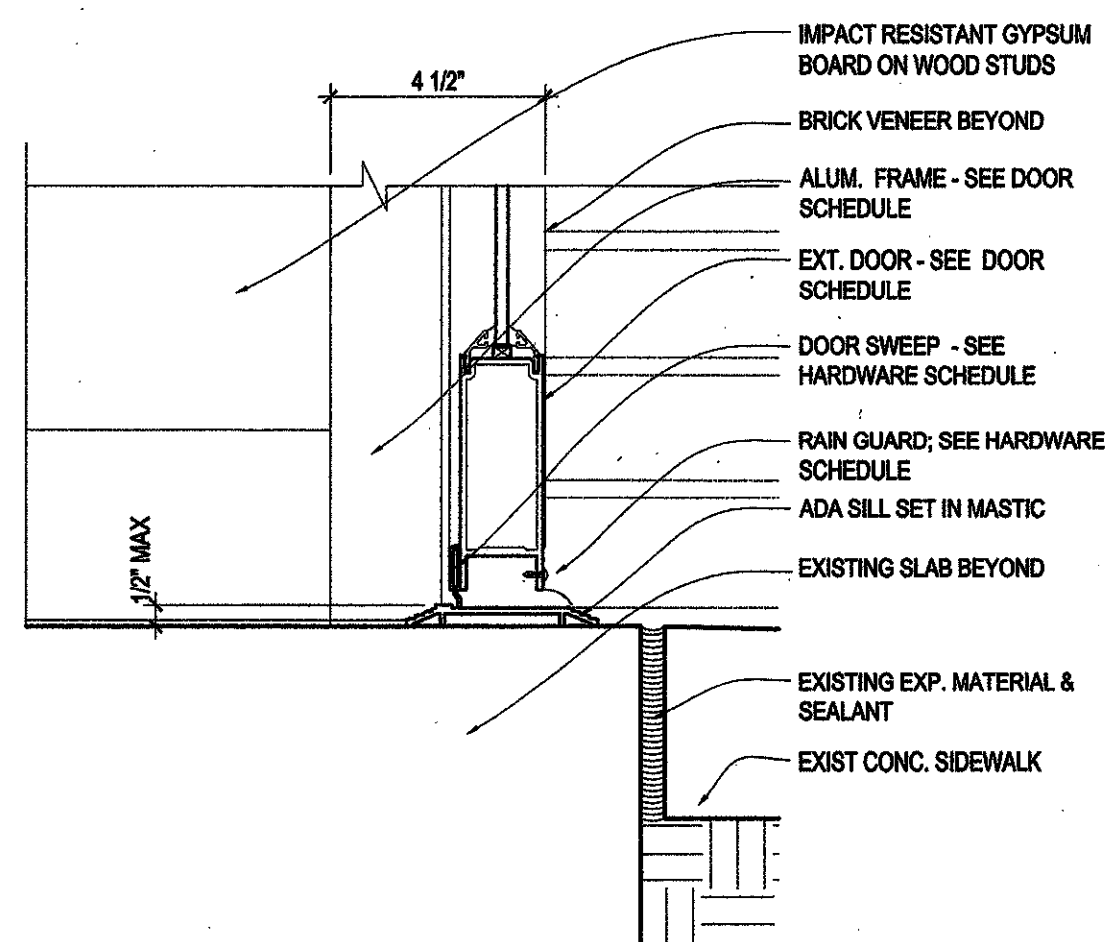
12 DOOR HEAD DETAIL
A6.02 3"= 1'-0"



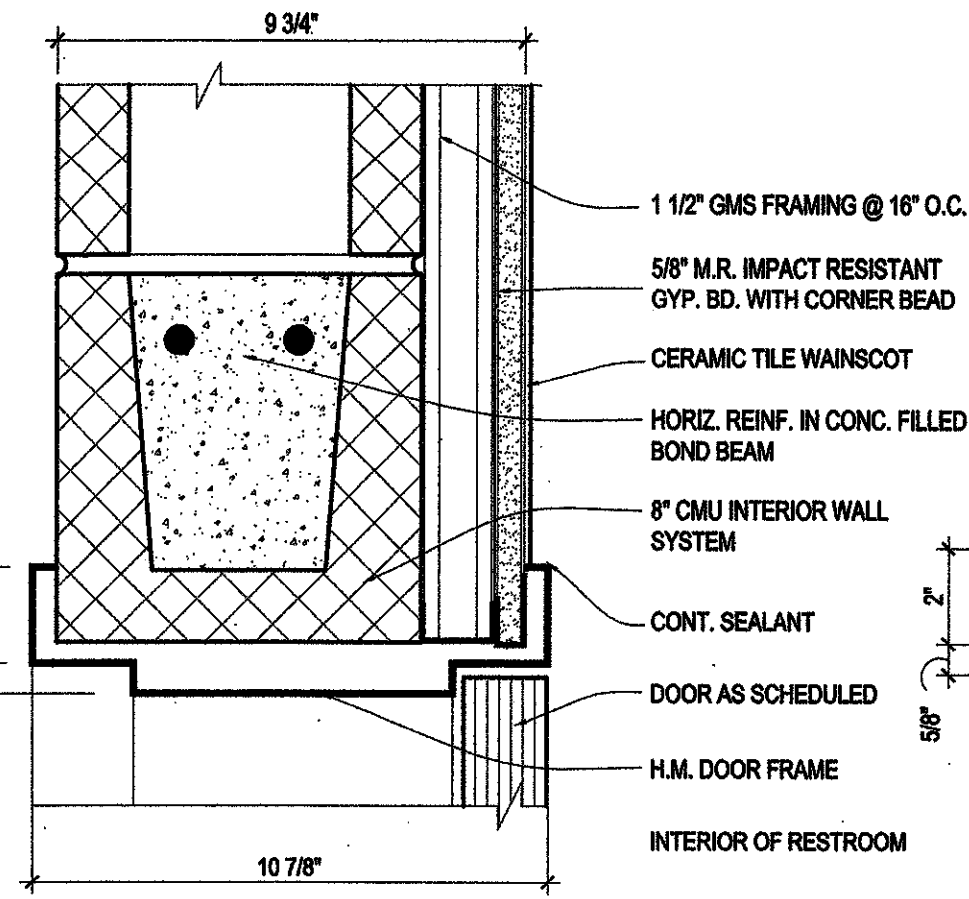
11 DOOR JAMB DETAIL
A6.02 3"= 1'-0"



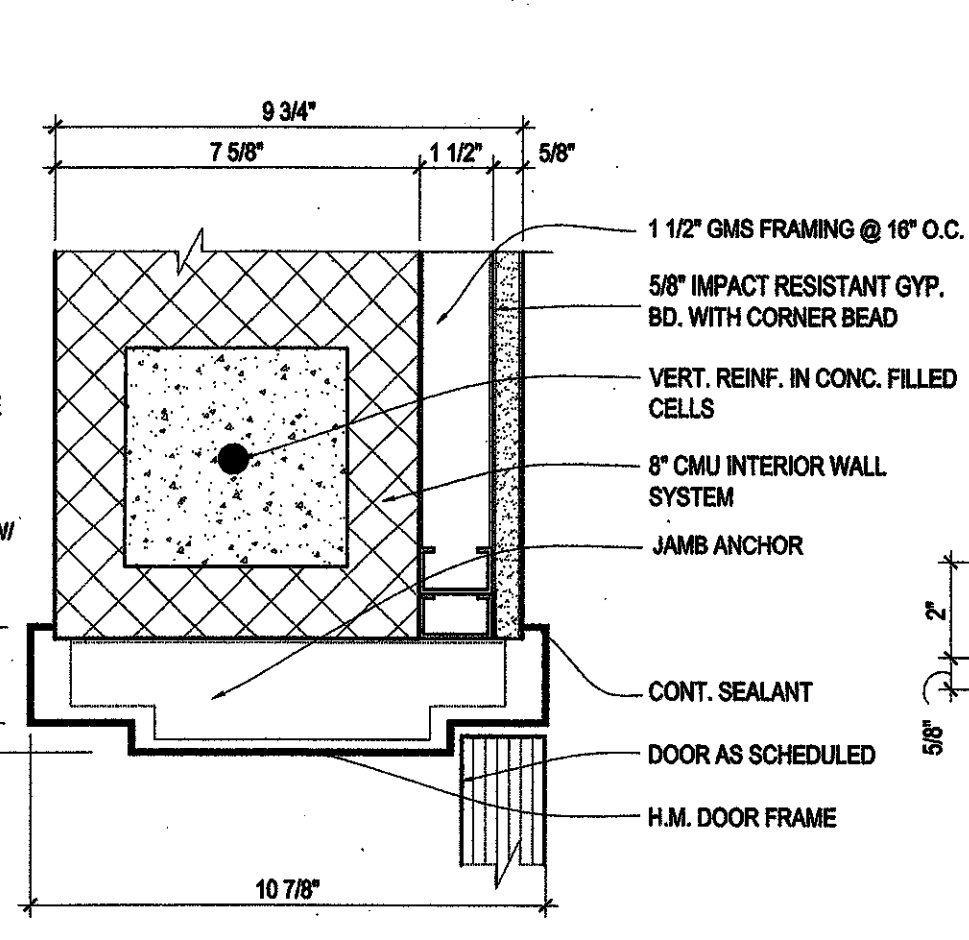
10A DOOR SILL DETAIL - CLASSROOM BLDG. 'B'
A6.02 3"= 1'-0"



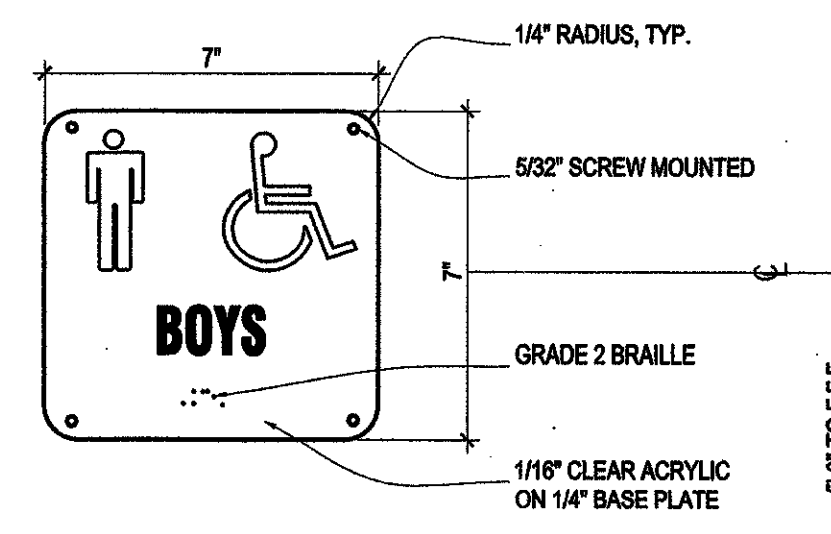
10 DOOR SILL DETAIL - CLASSROOM BLDG. 'A'
A6.02 3"= 1'-0"



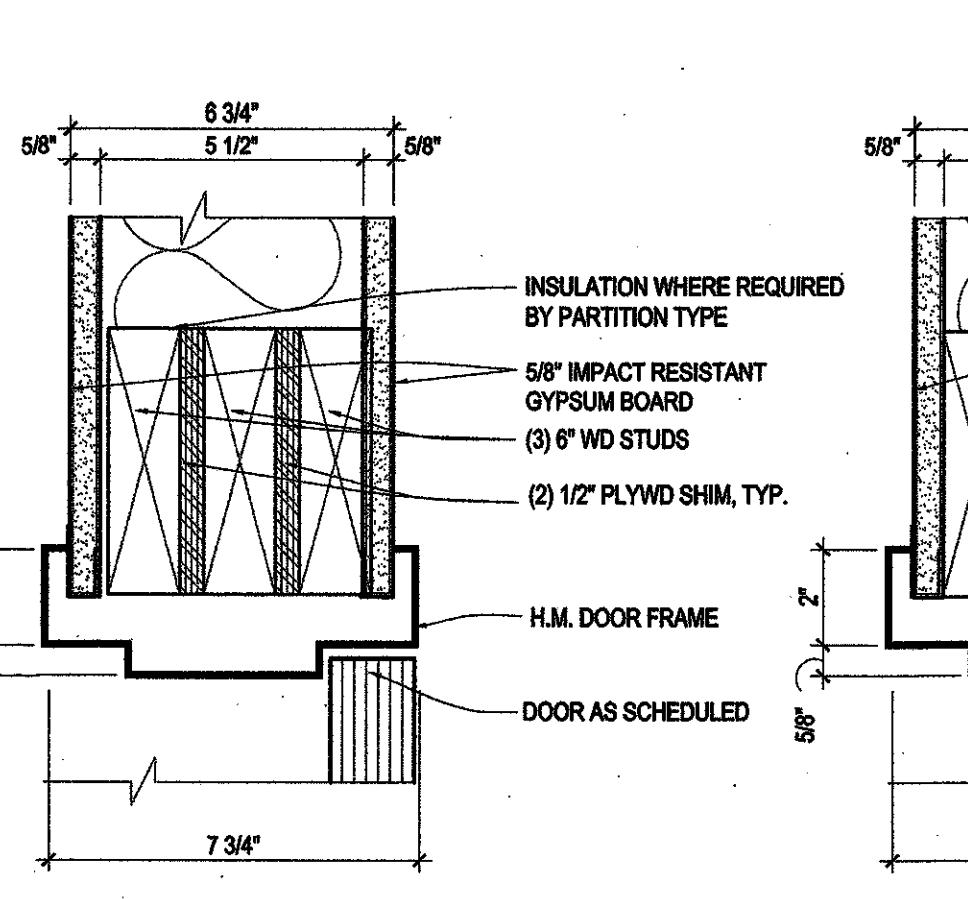
9 DOOR HEAD DETAIL
A6.02 3"= 1'-0"



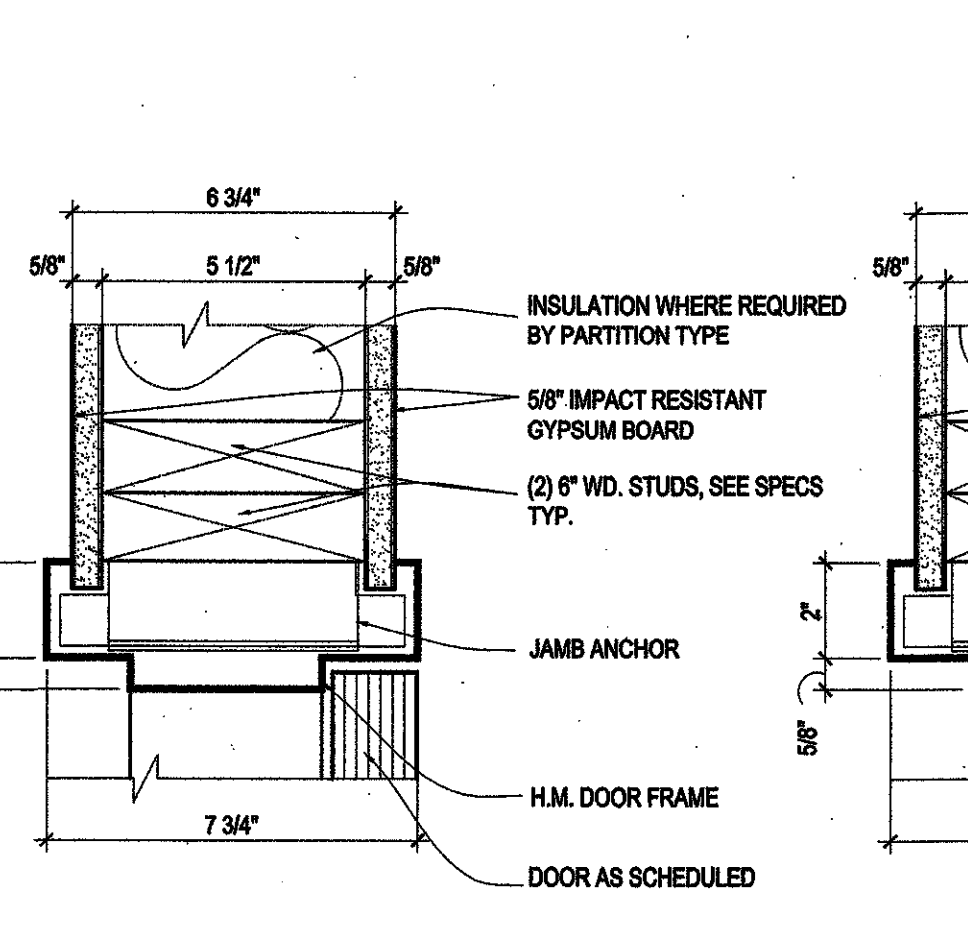
8 DOOR JAMB DETAIL
A6.02 3"= 1'-0"



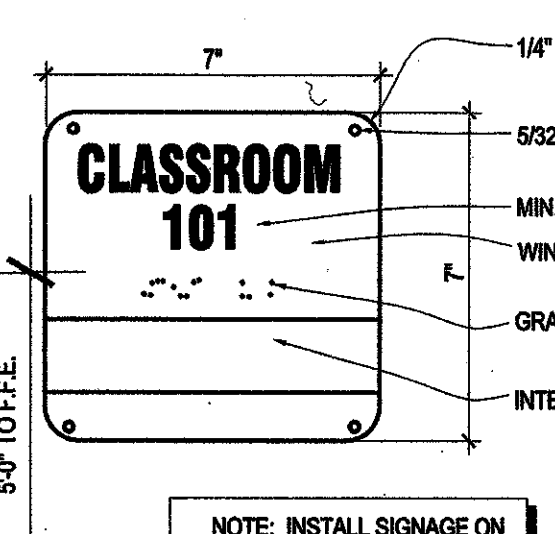
7 RESTROOM SIGNAGE
A6.02 3"= 1'-0"



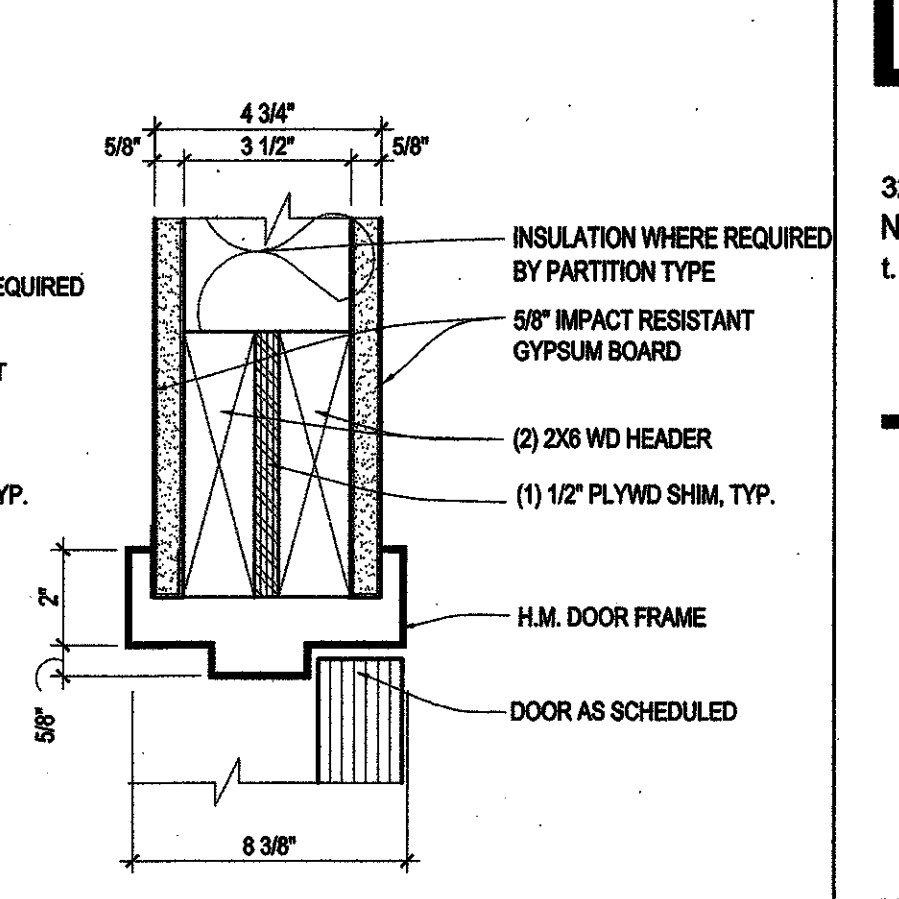
6 DOOR HEAD DETAIL
A6.02 3"= 1'-0"



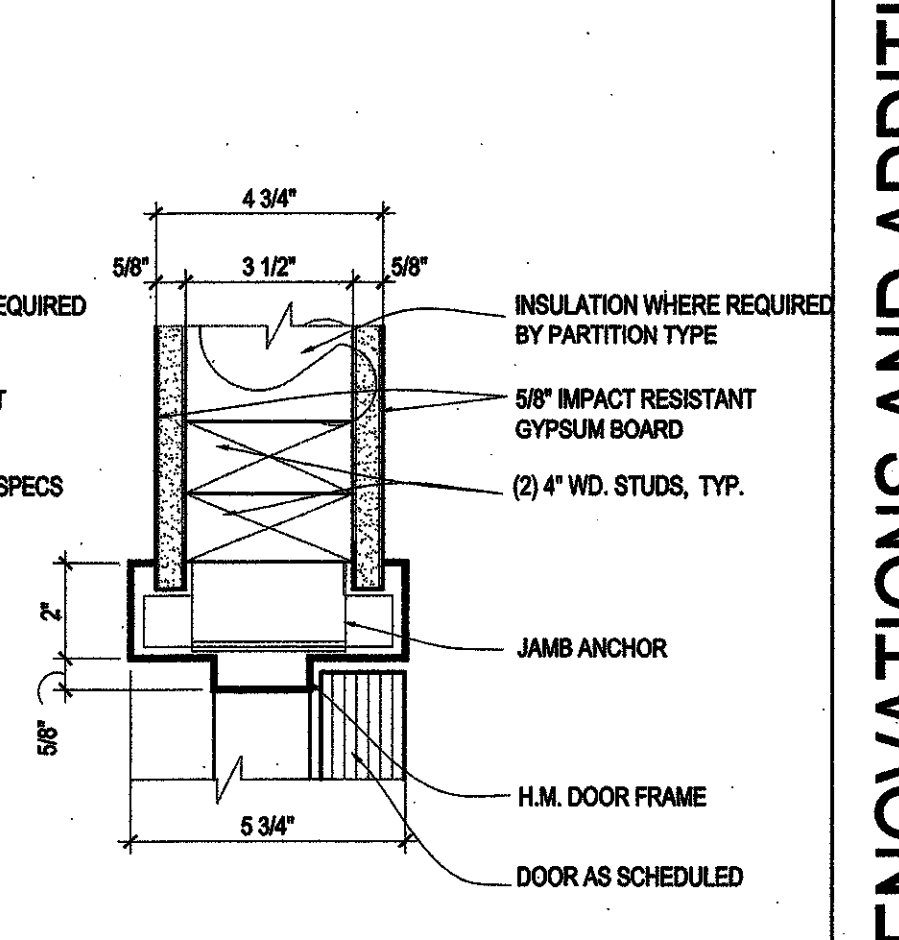
5 DOOR JAMB DETAIL
A6.02 3"= 1'-0"



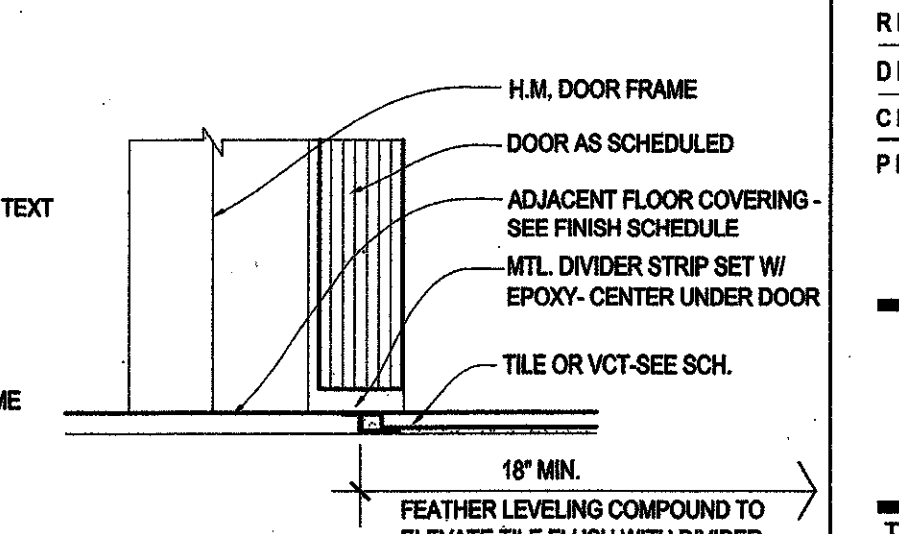
4 TYP. SIGNAGE
A6.02 3"= 1'-0"



3 DOOR HEAD DETAIL
A6.02 3"= 1'-0"



2 DOOR JAMB DETAIL
A6.02 3"= 1'-0"



1 DOOR SILL DETAIL
A6.02 3"= 1'-0"

DATE ISSUED:	10 JUNE 2009
REVISED:	
REVISED:	
REVISED:	
REVISED:	
DRAWN BY:	RAB
CHECKED BY:	CEV
PHASE:	CONSTRUCTION DOCUMENTS

08060

TITLE:
OPENING DETAILS

SHEET:
A6.02