

**RENOVATIONS AND ADDITION
TO CLASSROOM BUILDINGS
FOLSOM JR. HIGH SCHOOL
ST. TAMMANY PARISH SCHOOL BOARD**
 FOLSOM, LOUISIANA
 83055 HAY HOLLOW ROAD

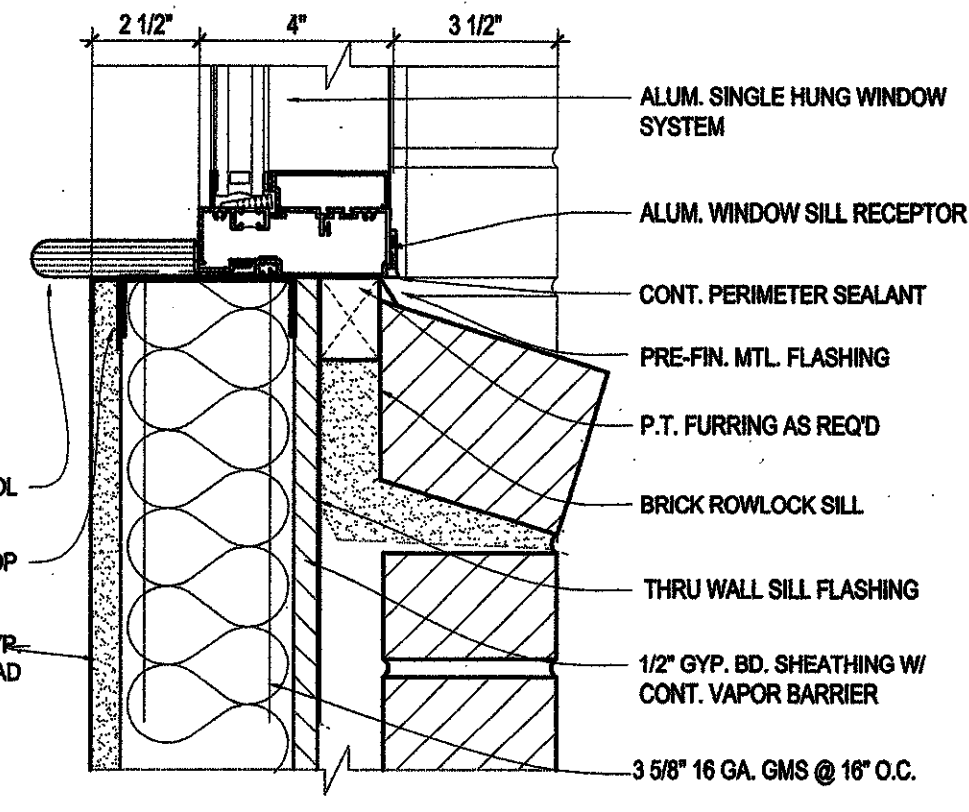
DATE ISSUED:	10 JUNE 2009
REVISED:	
REVISED:	
REVISED:	
REVISED:	
DRAWN BY:	RAB
CHECKED BY:	CEV
PHASE:	

CONSTRUCTION DOCUMENTS

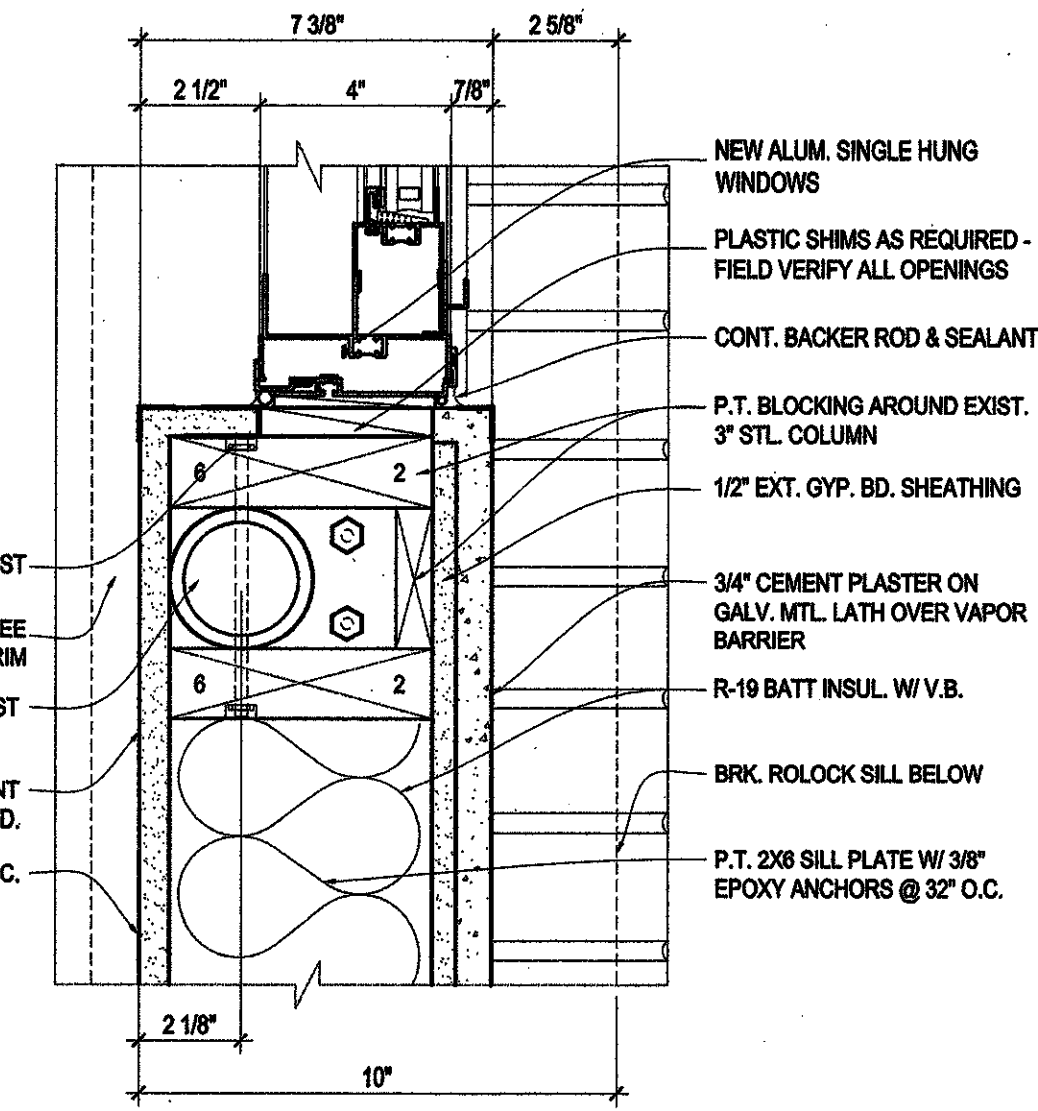
08060

TITLE:
OPENING DETAILS

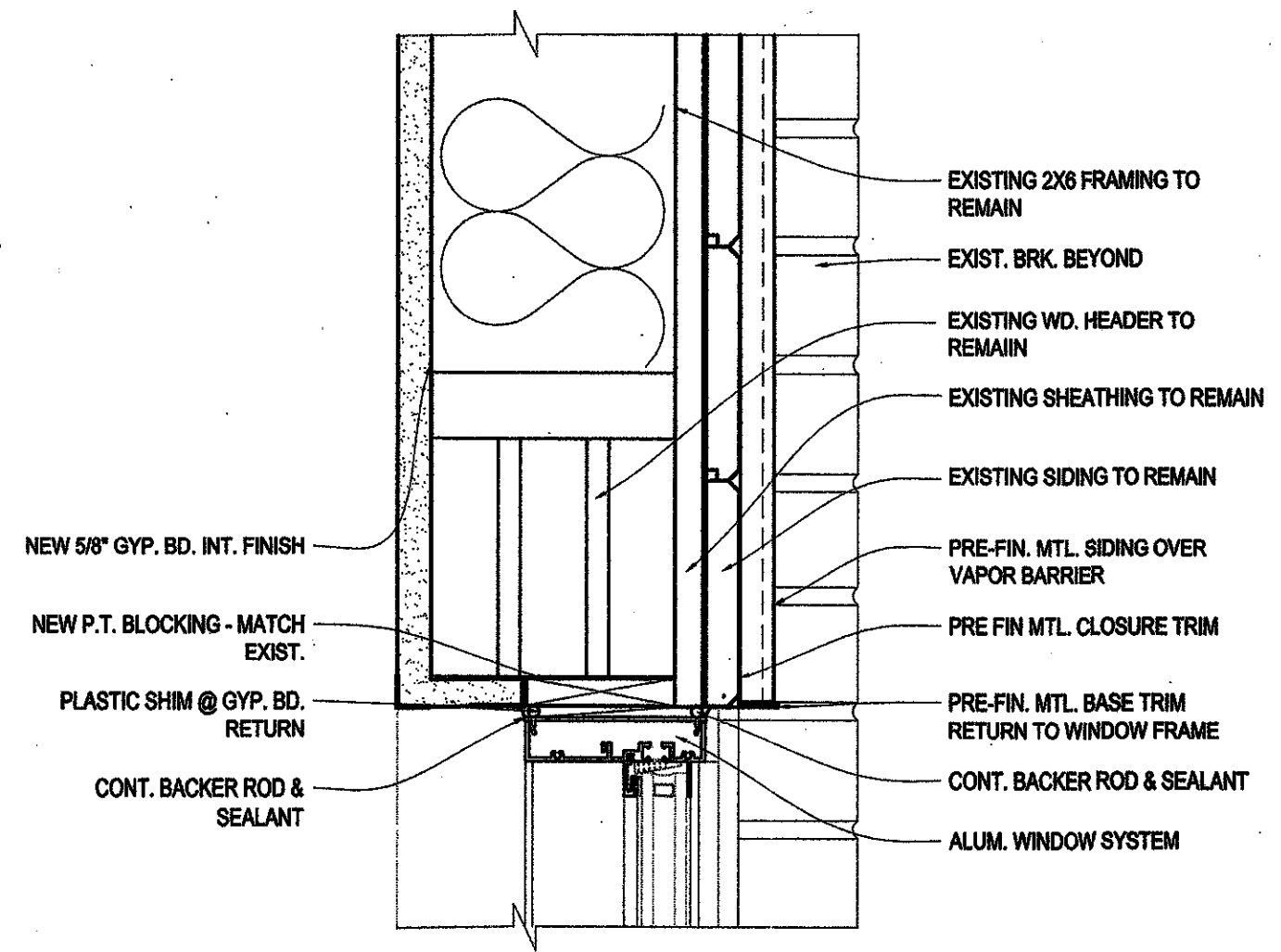
SHEET:
A6.03



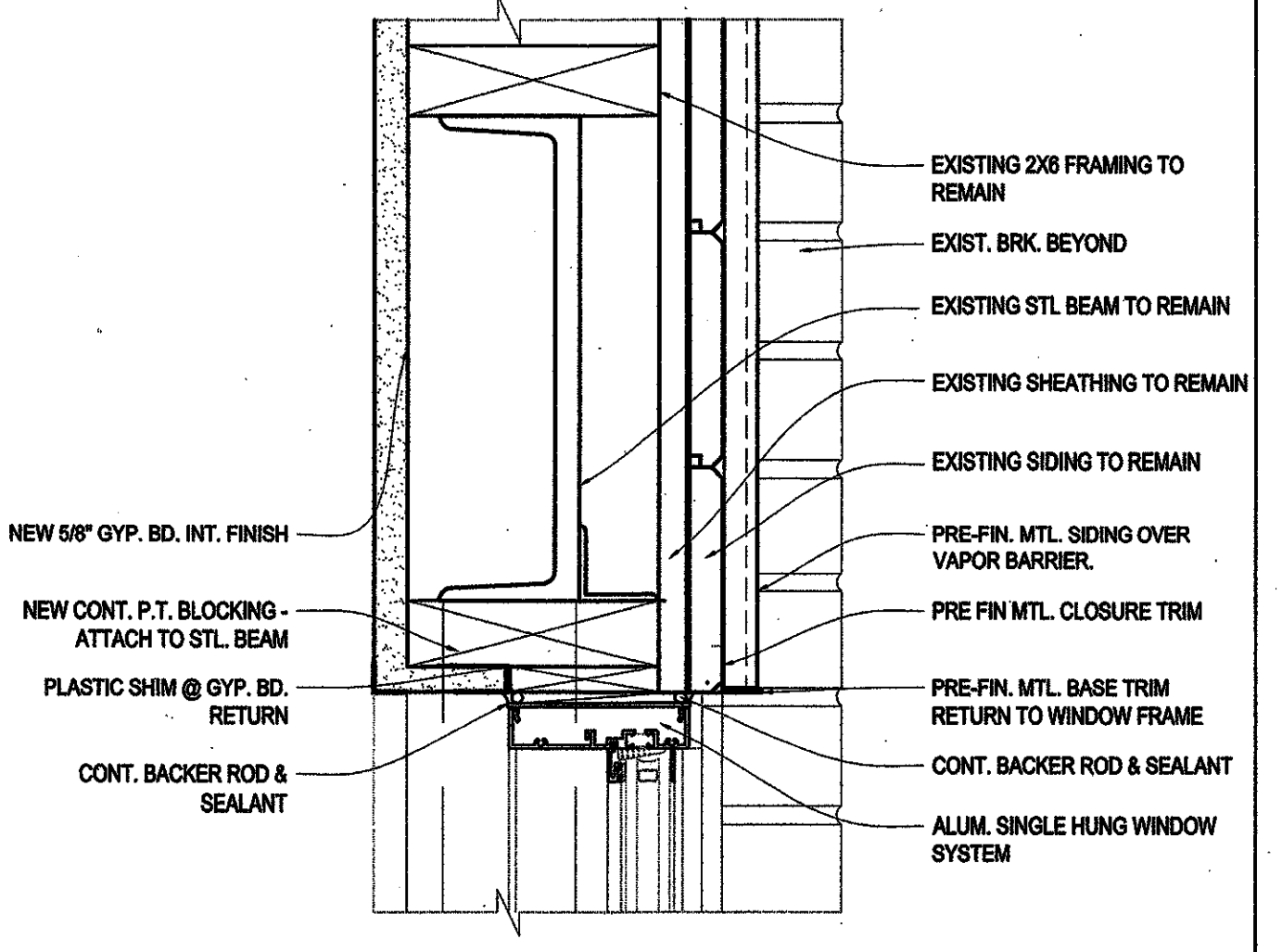
10 WINDOW SILL DETAIL
A6.03 3"= 1'-0"



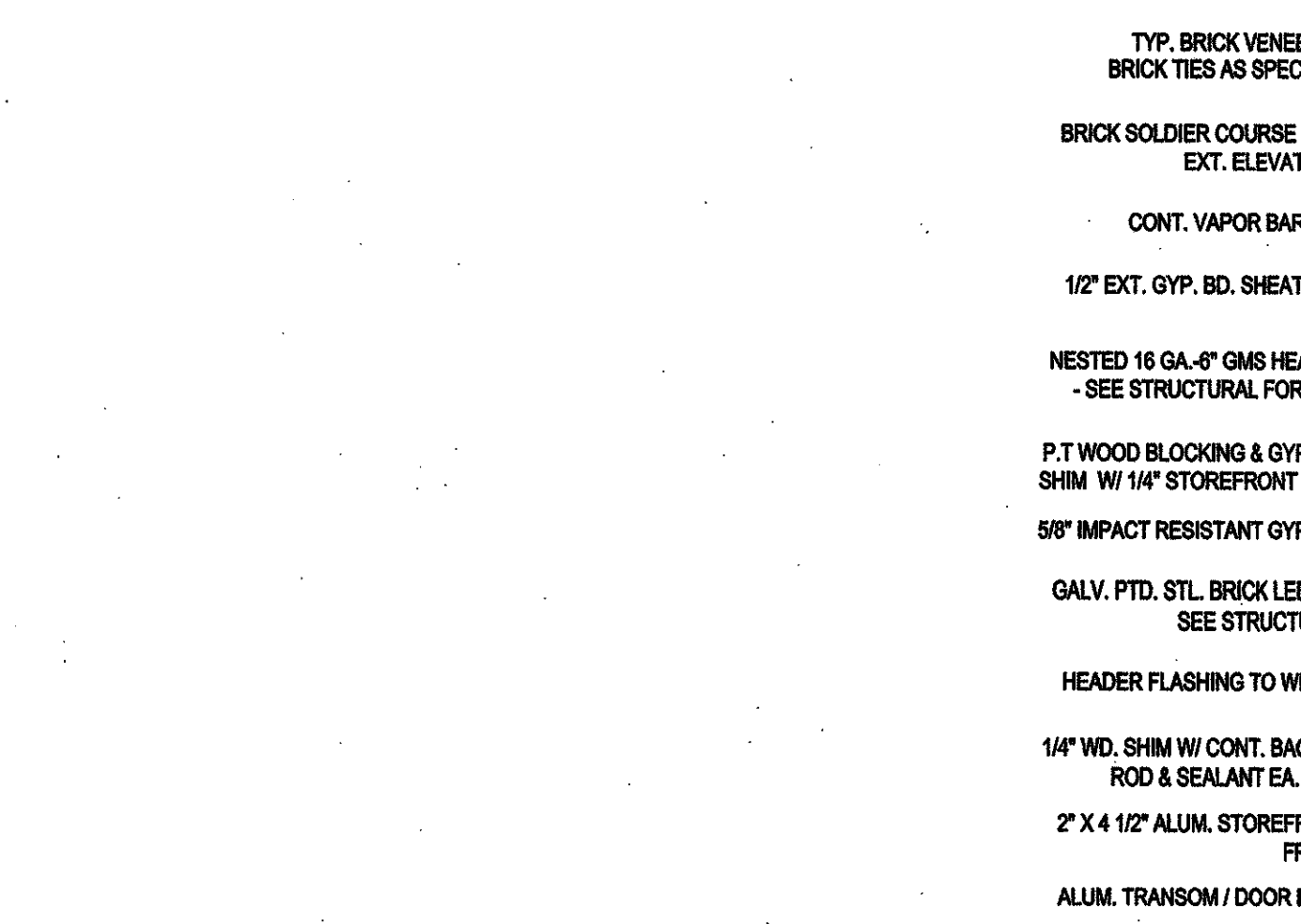
7 WINDOW JAMB DETAIL
A6.03 3"= 1'-0"



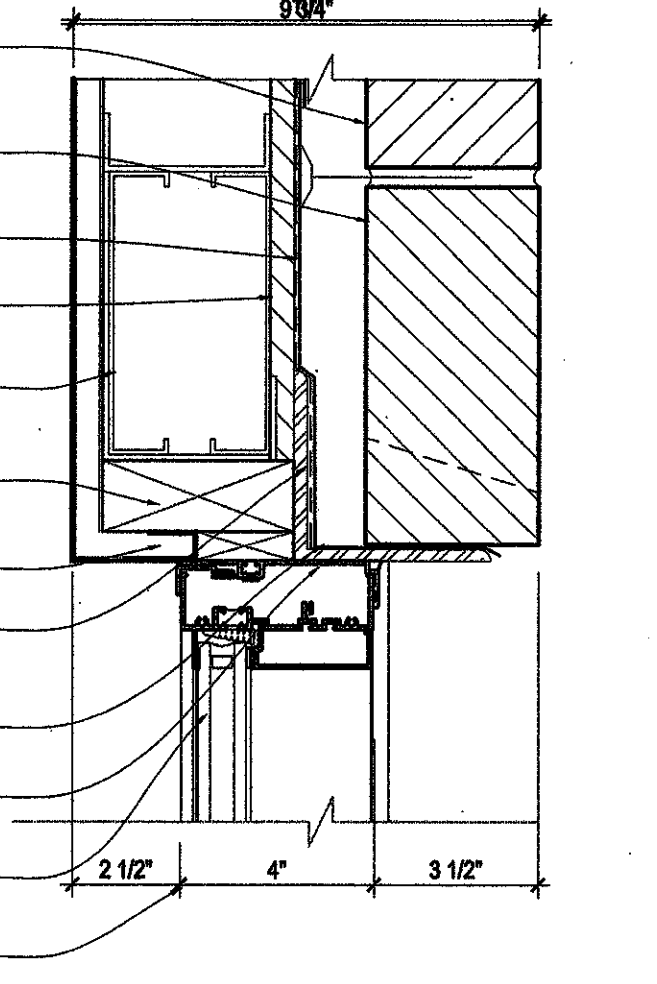
6 WINDOW HEAD DETAIL
A6.03 3"= 1'-0"



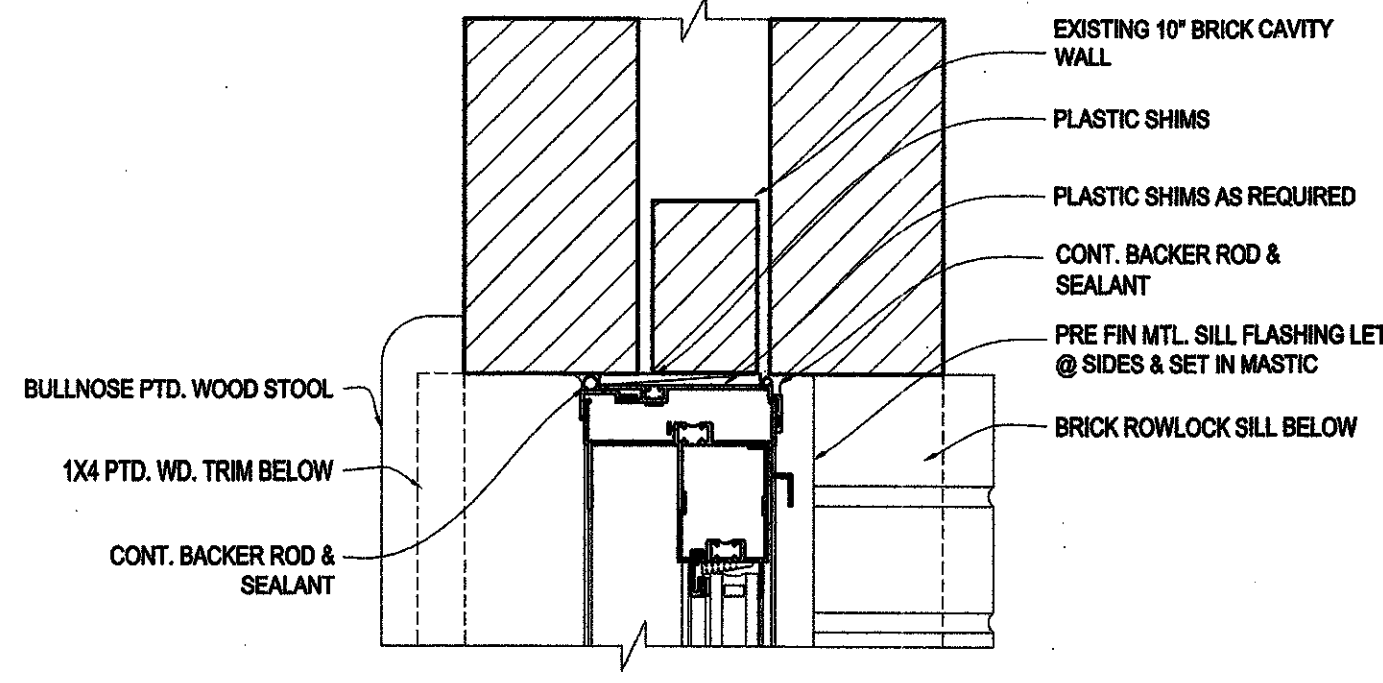
3 WINDOW HEAD DETAIL
A6.03 3"= 1'-0"



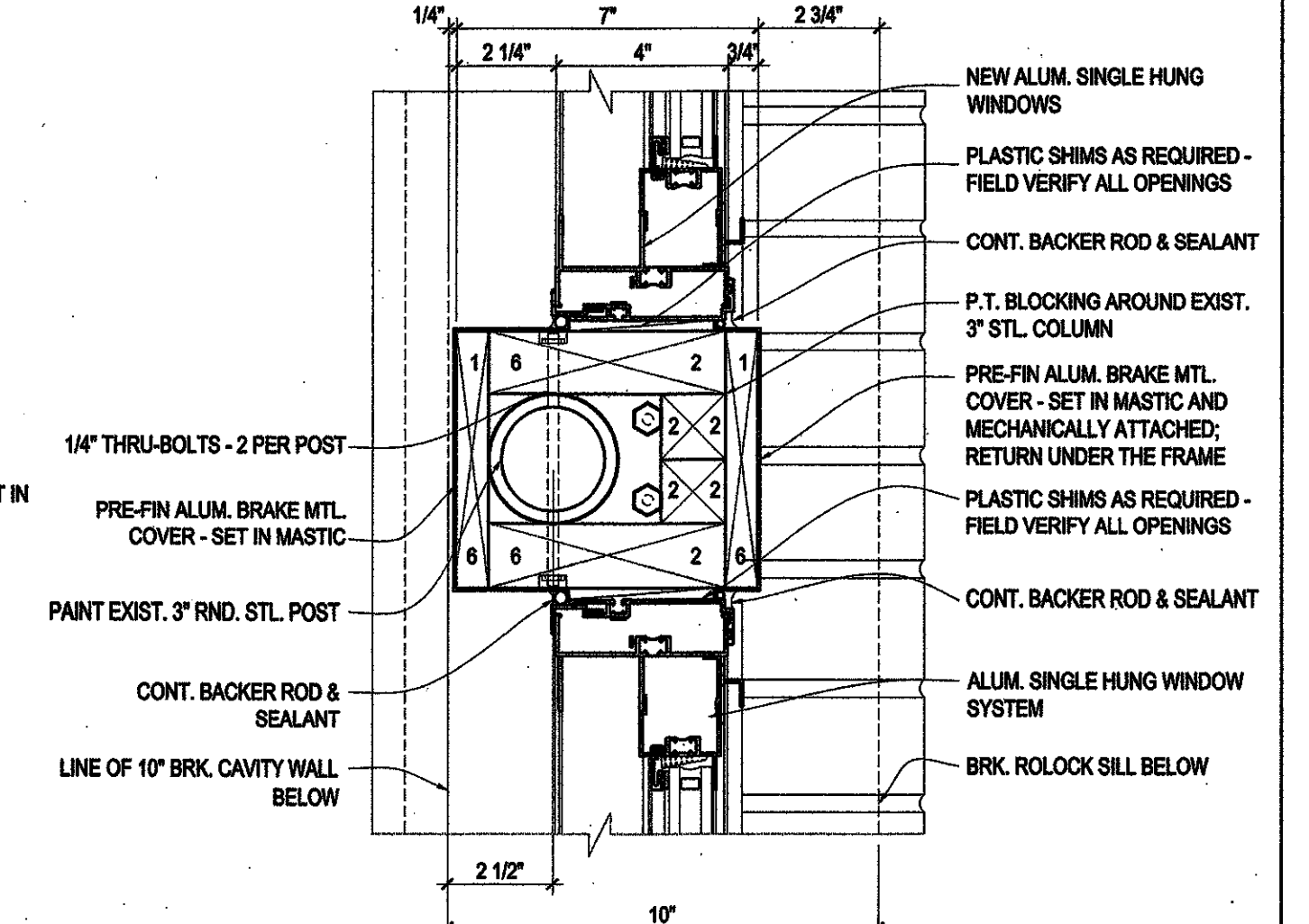
11 NOT USED
A6.03 3"= 1'-0"



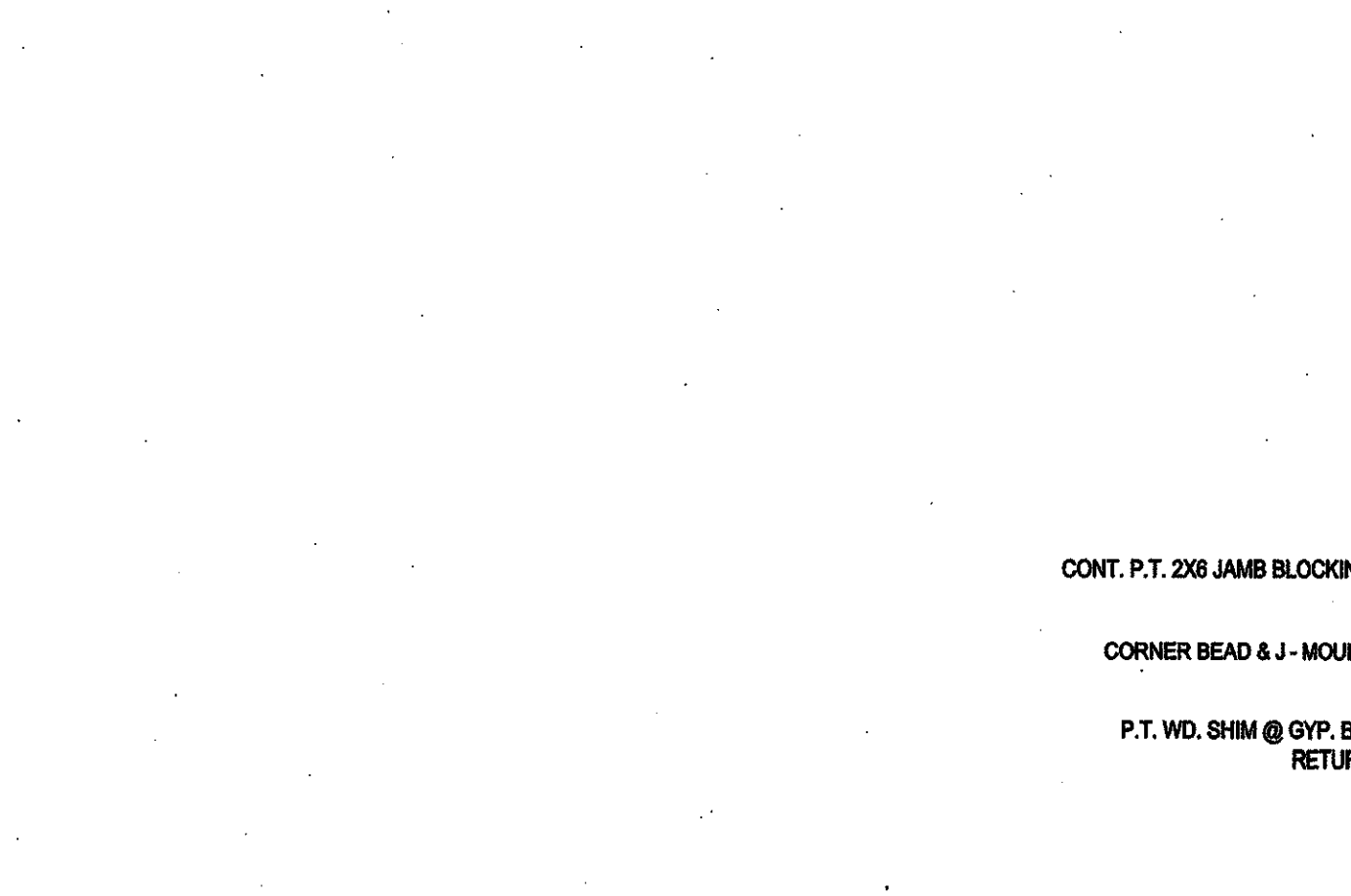
8 WINDOW HEAD DETAIL
A6.03 3"= 1'-0"



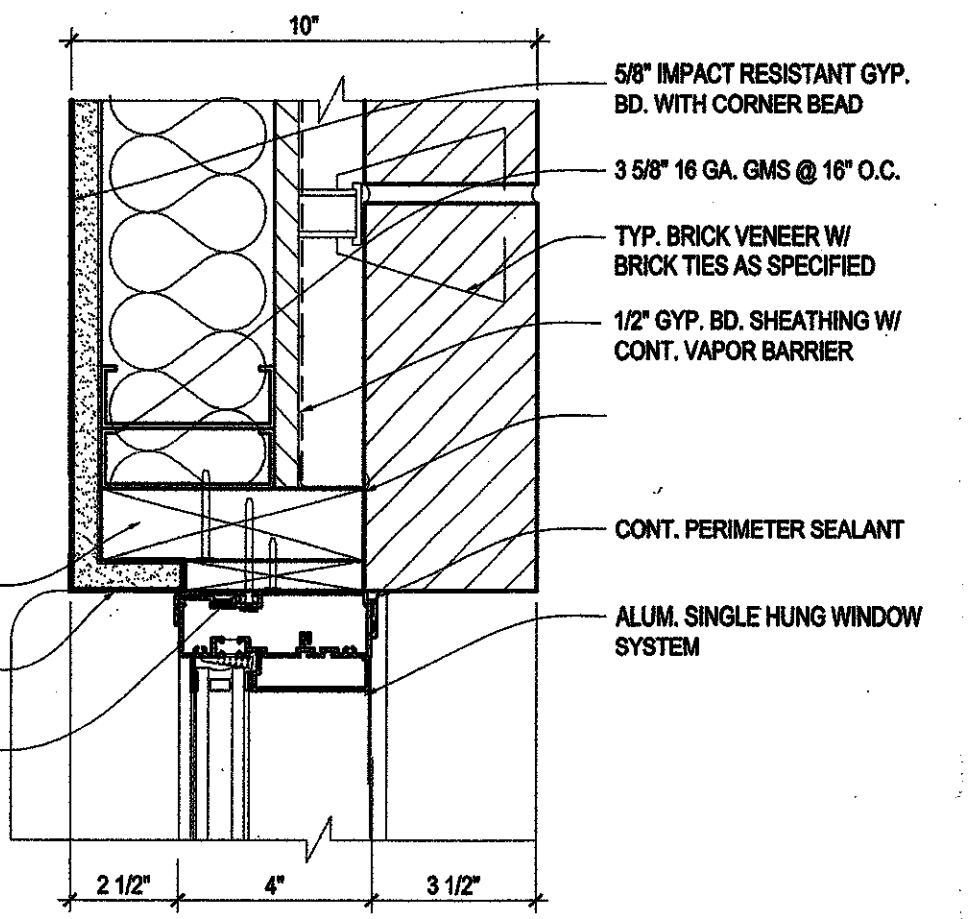
5 WINDOW JAMB DETAIL
A6.03 3"= 1'-0"



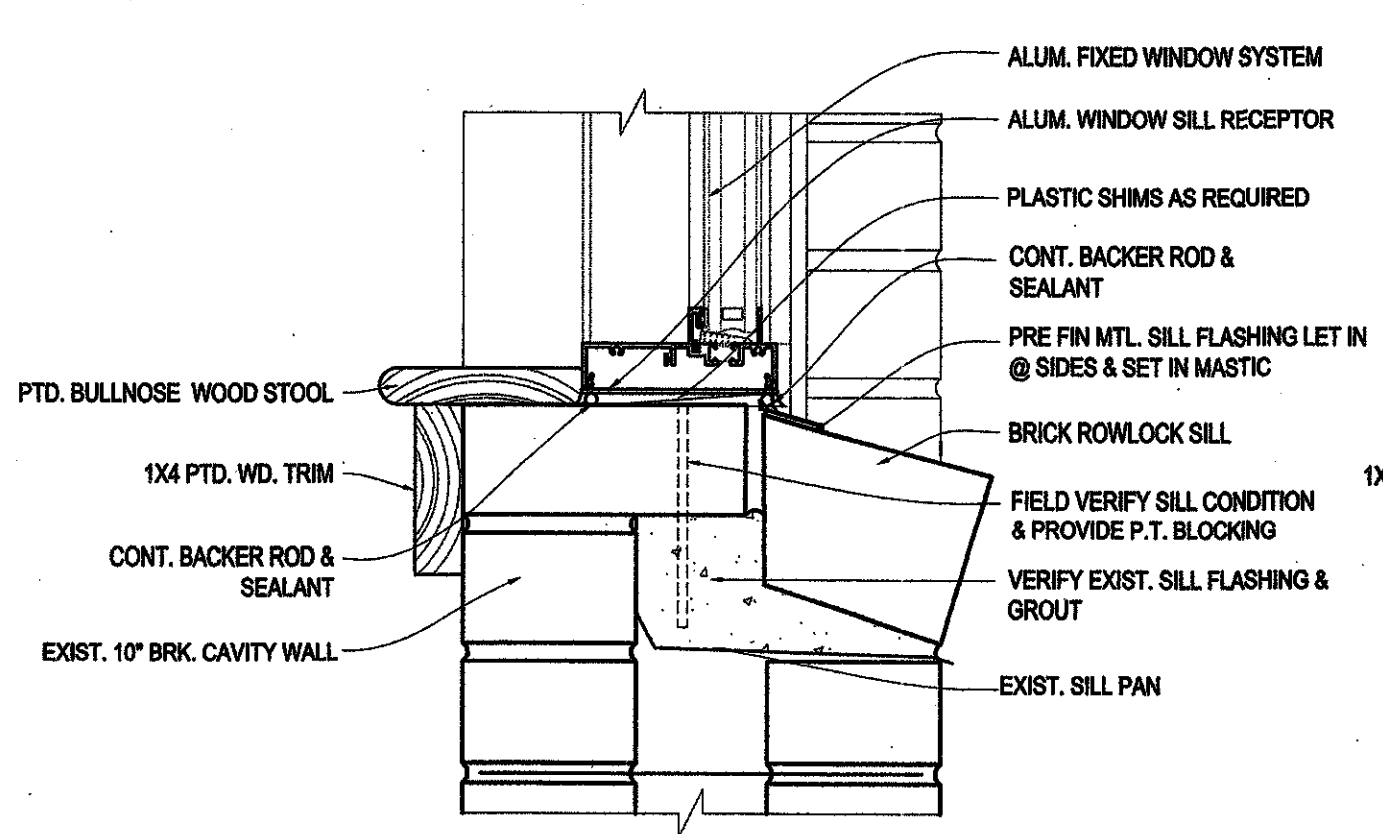
2 WINDOW JAMB DETAIL
A6.03 3"= 1'-0"



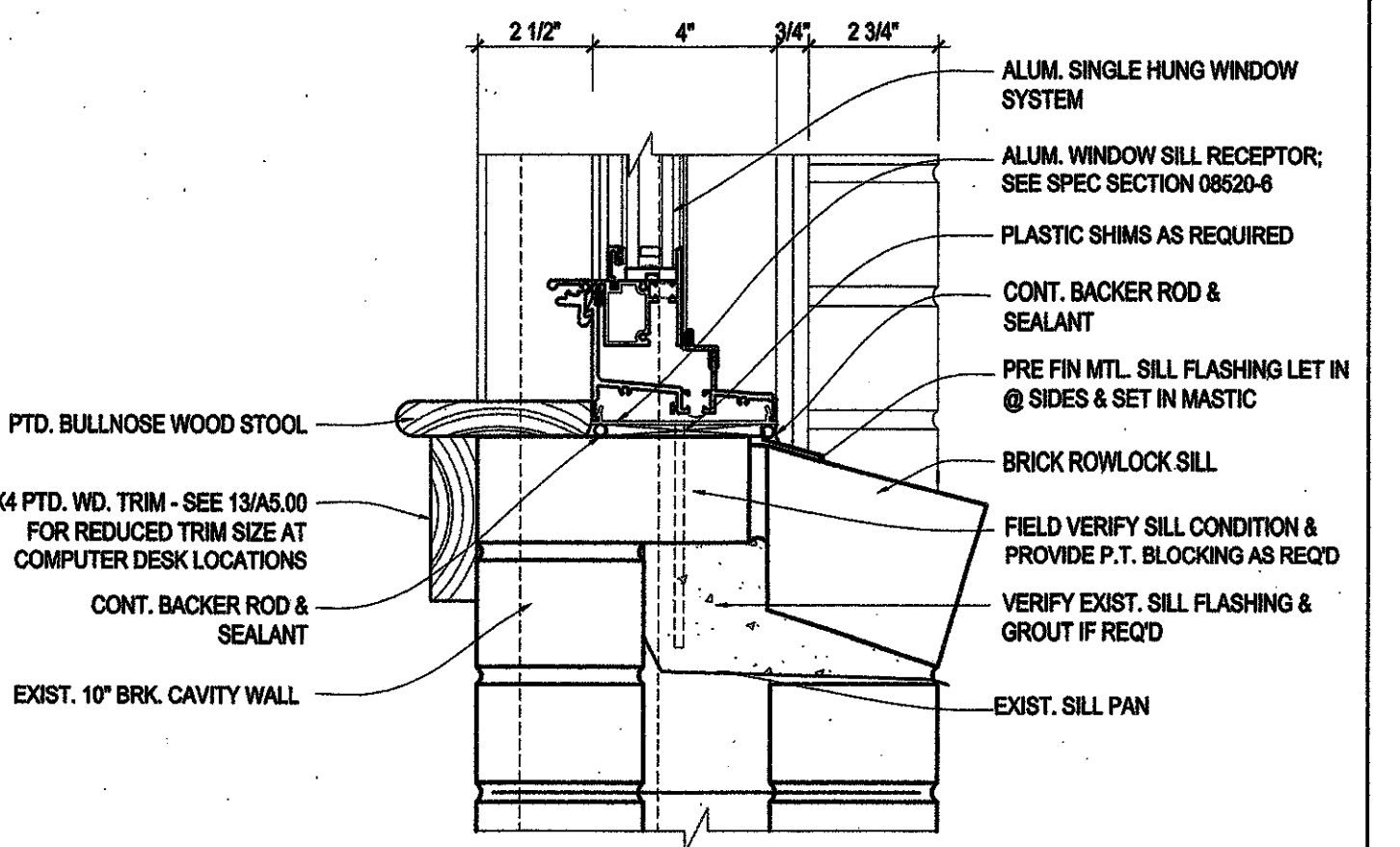
12 NOT USED
A6.03 3"= 1'-0"



9 WINDOW JAMB DETAIL
A6.03 3"= 1'-0"



4 WINDOW SILL DETAIL
A6.03 3"= 1'-0"



1 WINDOW SILL DETAIL
A6.03 3"= 1'-0"