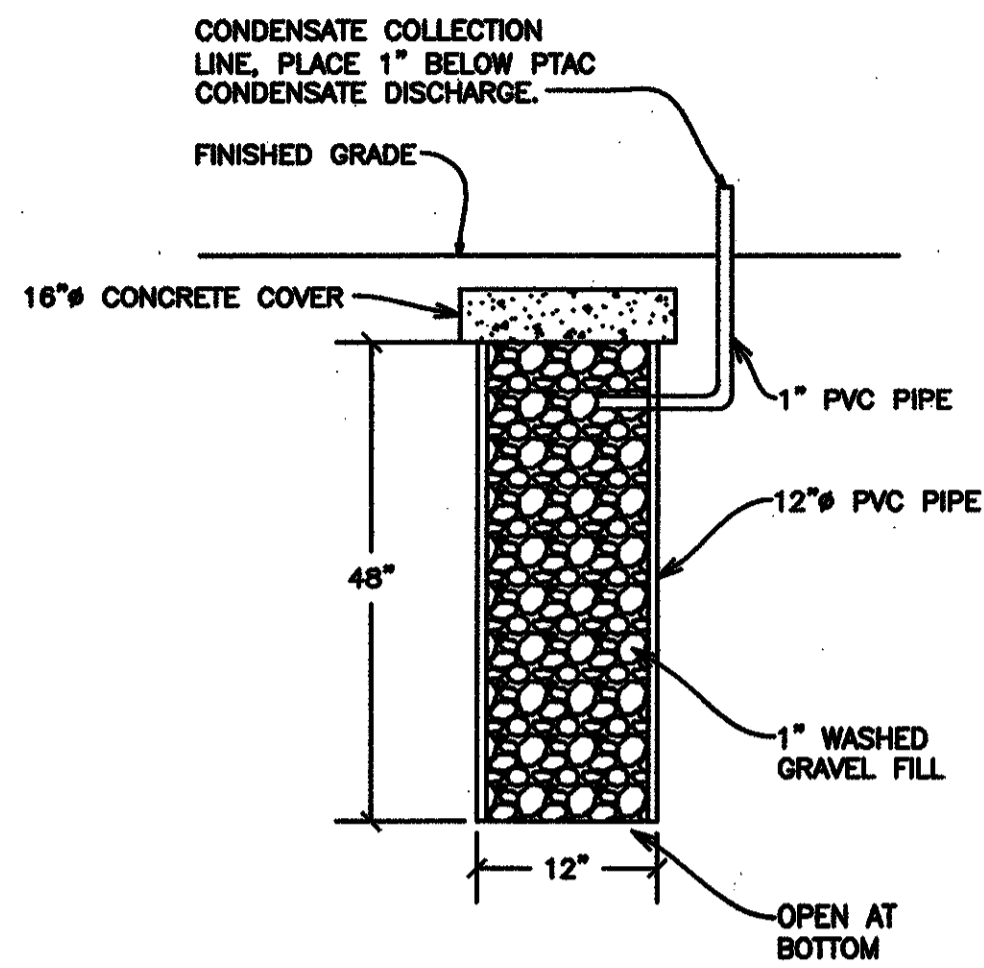
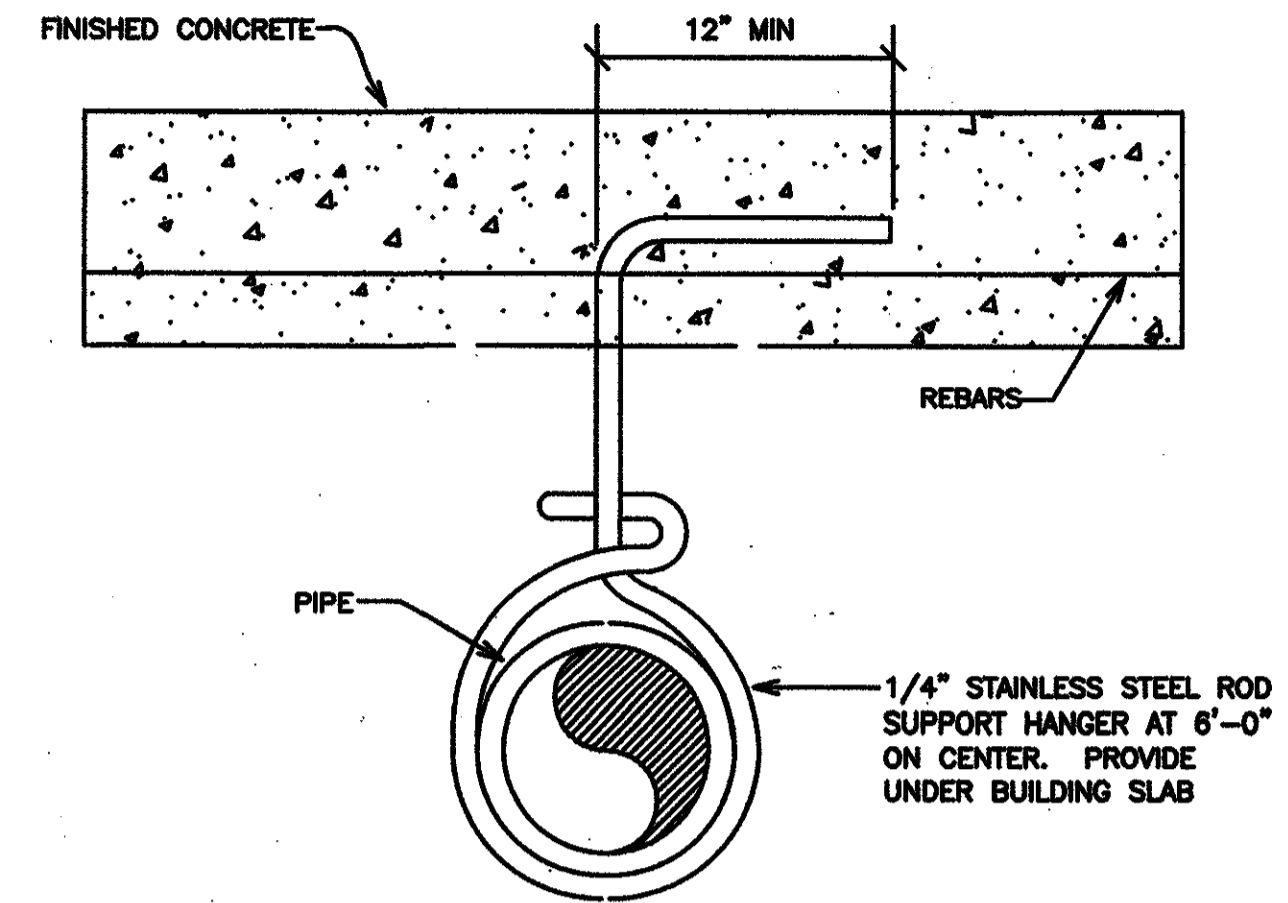


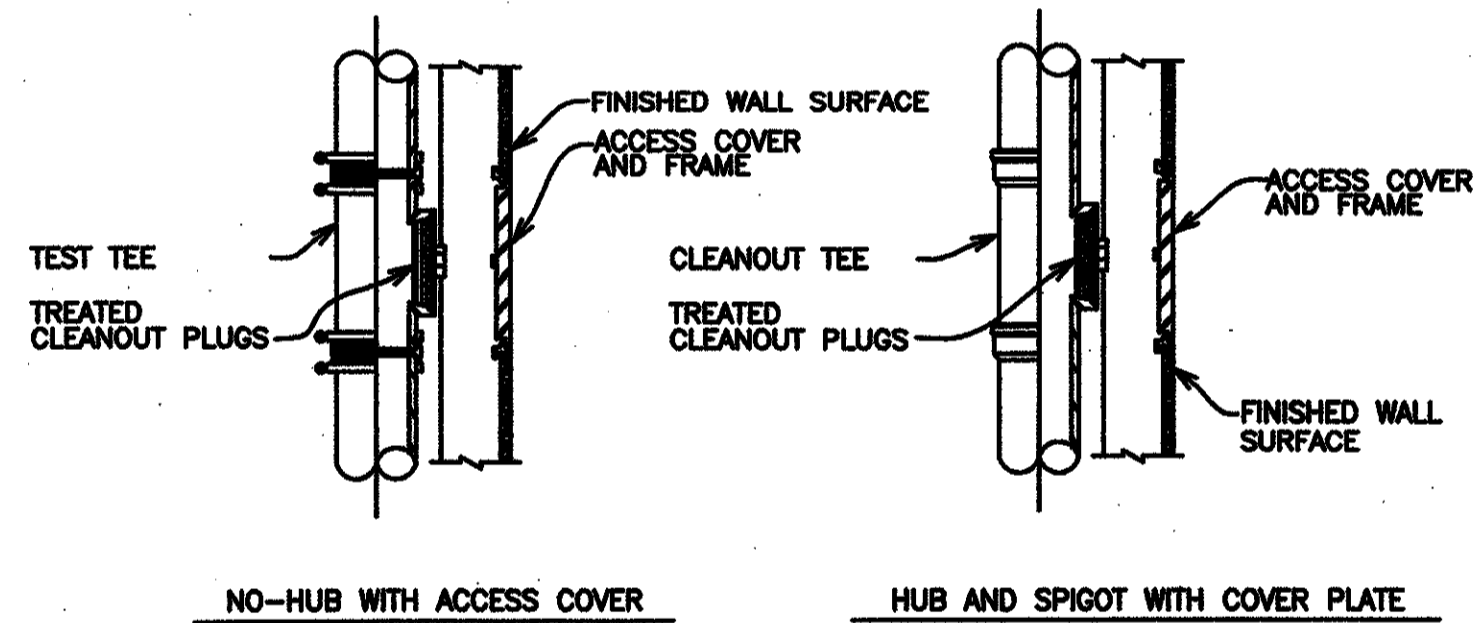
1 ELECTRIC WATER HEATER PIPING DIAGRAM  
M3.00 NO SCALE



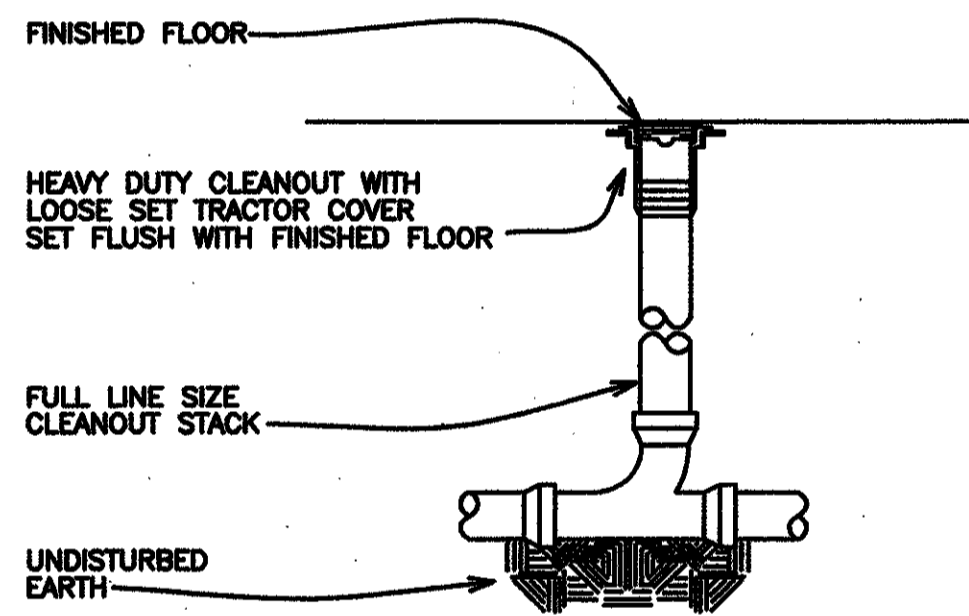
2 FRENCH DRAIN DETAIL  
M3.00 NO SCALE



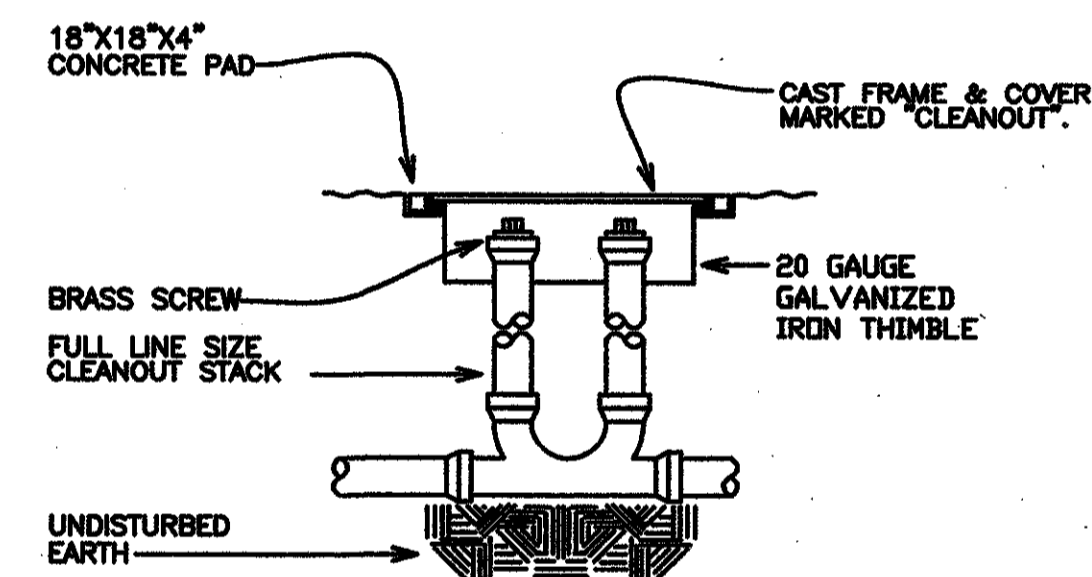
3 UNDER SLAB PIPE HANGER DETAIL  
M3.00 NO SCALE



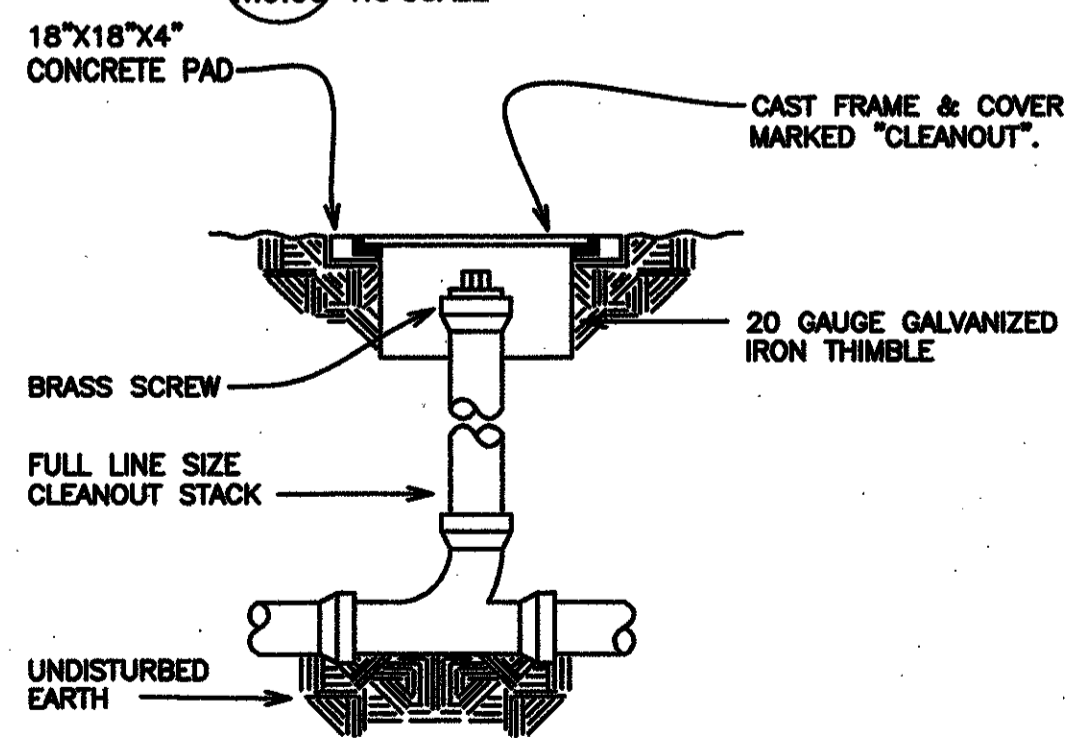
4 WALL CLEANOUT DETAILS  
M3.00 NO SCALE



5 INSIDE CLEANOUT DETAIL  
M3.00 NO SCALE



6 TWO-WAY OUTSIDE CLEANOUT  
M3.00 NO SCALE



7 OUTSIDE CLEANOUT DETAIL  
M3.00 NO SCALE

6/10/2009 3:48 PM 28328-M3.00 PLUMBING DETAILS A.DWG

RCE PROJECT NO. 28329

RITTER CONSULTING ENGINEERS, LTD.

3248 908 STREET  
METairie, LOUISIANA 70002  
(504) 834-8271 FAX (504) 834-8833  
250 ROBINSON DRIVE SUITE 203  
LAFAYETTE, LOUISIANA 70508  
(337) 884-8488 FAX (337) 884-8578

USE AND INTERPRETATION OF THIS DRAWING

1. GENERAL CONDITIONS OF THE CONTRACT FOR CONSTRUCTION, ARTICLE 1 AND DOCUMENT ADDENDUM ARE PART OF THE CONTRACT DOCUMENTS AND DESCRIBE USE AND INTENT OF THE DRAWINGS. THE CONTRACT DOCUMENTS INCLUDE NOT ONLY THE DRAWINGS, BUT ALSO THE OWNER-CONTRACTOR AGREEMENT, CONDITIONS OF THE CONTRACT, THE SPECIFICATIONS, AGENDA, AND MODIFICATIONS ISSUED AFTER EXECUTION OF THE CONTRACT. THESE CONTRACT DOCUMENTS ARE COMPLEMENTARY, AND WHAT IS REQUIRED BY ANYONE SHALL BE AS KNOWN AS IF REQUIRED BY ALL. WORK NOT COMPLETELY DETAILED HEREIN SHALL BE CONSTRUCTED OF THE SAME MATERIALS AND DETAIL AS WORK SHOWN MORE COMPLETELY ELSEWHERE IN THE CONTRACT DOCUMENTS.

2. BY USE OF THE DRAWINGS FOR CONSTRUCTION OF THE PROJECT, THE OWNER REPRESENTS THAT HE HAS REVIEWED AND APPROVED THE DRAWINGS, AND THAT THE CONSTRUCTION DOCUMENTS PHASE OF THE PROJECT IS COMPLETE. THE CONTRACTOR REPRESENTS THAT HE HAS VISITED THE SITE, FAMILIARIZED HIMSELF WITH THE LOCAL CONDITIONS, VERIFIED FIELD DIMENSIONS AND CORRELATED HIS OBSERVATIONS WITH REQUIREMENTS OF THE CONTRACT DOCUMENTS.

3. THE CONTRACT SUM AND CONTRACT TIME MAY BE CHANGED ONLY BY CHANGE ORDER TO THE CONTRACTOR ISSUED BY THE OWNER AND THE ARCHITECT. ANY WORK PERFORMED IN VIOLATION WITH THE CONTRACT DOCUMENTS AND NOT COVERED BY THE ARCHITECT'S WRITTEN ORDER FOR A MINOR CHANGE IN THE WORK OR A CHANGE ORDER, WILL NOT BE ACCEPTED.

4. AS INSTRUMENTS OF SERVICE, ALL DRAWINGS, SPECIFICATIONS AND COPIES THEREOF FURNISHED BY THE ARCHITECT ARE HIS PROPERTY. THEY ARE TO BE USED ONLY FOR THIS PROJECT AND ARE NOT TO BE REPRODUCED OR DISTRIBUTION WITHOUT THE EXPRESS WRITTEN CONSENT OF THE ARCHITECT. ANY CONTRAVENTION AS DEPRECIATION OF THE ARCHITECT'S COPYRIGHT OR OTHER RESERVED RIGHTS.

REUSE OF THIS DRAWING IN ANY MANNER IS STRICTLY PROHIBITED WITHOUT THE WRITTEN APPROVAL OF RITTER CONSULTING ENGINEERS, LTD.

**VergesRome**

Architects

320 N. Carrollton Avenue, Suite 100  
New Orleans, Louisiana 70119  
t. 504.488.7739 f. 504.488.7743

www.VergesRome.com

© copyright 2009



**RENOVATIONS AND ADDITION  
TO CLASSROOM BUILDINGS  
FOLSOM JR. HIGH SCHOOL  
ST. TAMMANY PARISH SCHOOL BOARD**  
 FOLSOM, LOUISIANA  
 83055 HAY HOLLOW ROAD

DATE ISSUED: 10 JUNE 2009

REVISED:

REVISED:

REVISED:

REVISED:

DRAWN BY: RTM

CHECKED BY: ELRF/S

PHASE:

**CONSTRUCTION  
DOCUMENTS**

**08060**

TITLE:

**PLUMBING DETAILS**

SHEET:

**M3.00**