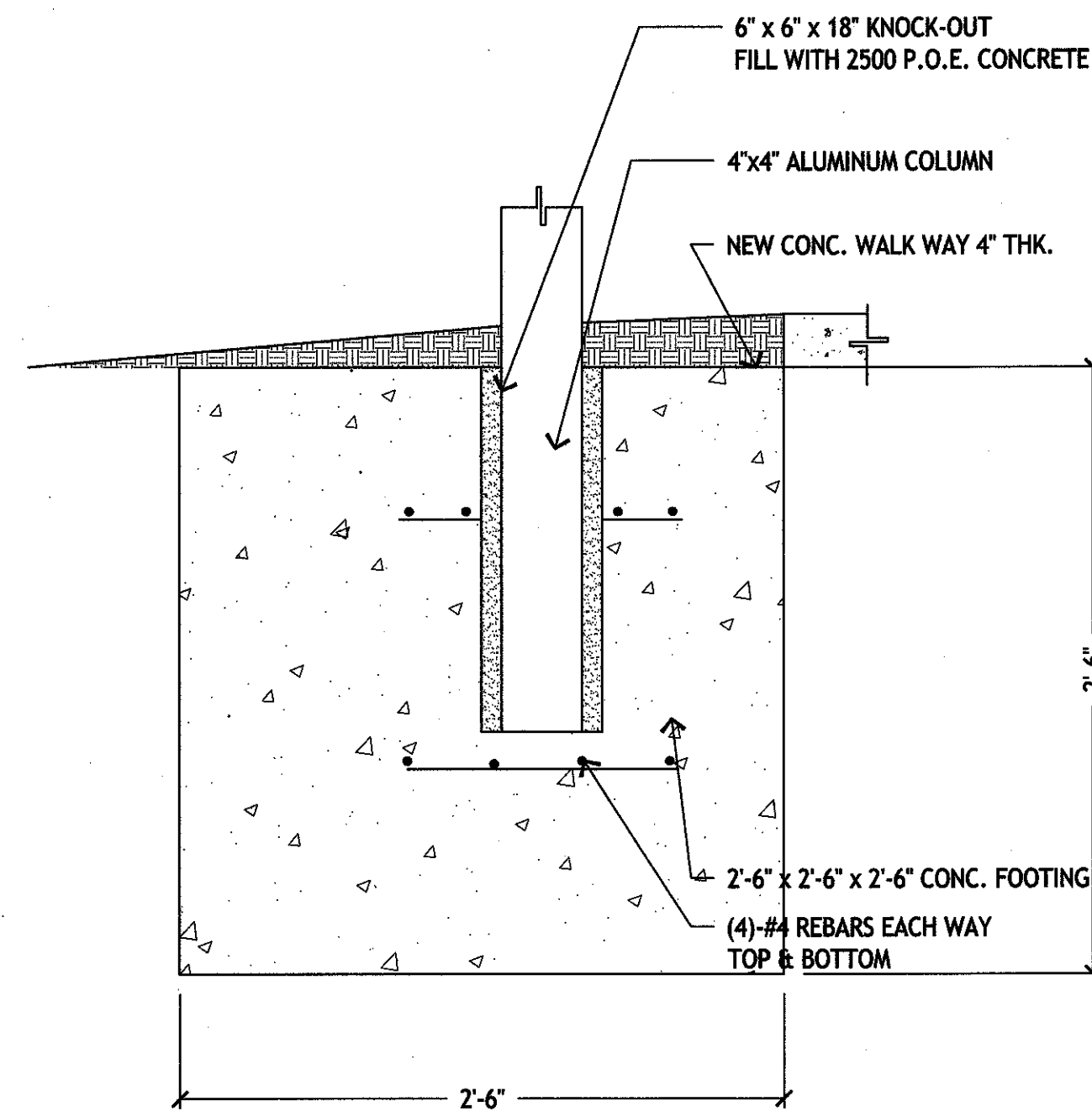


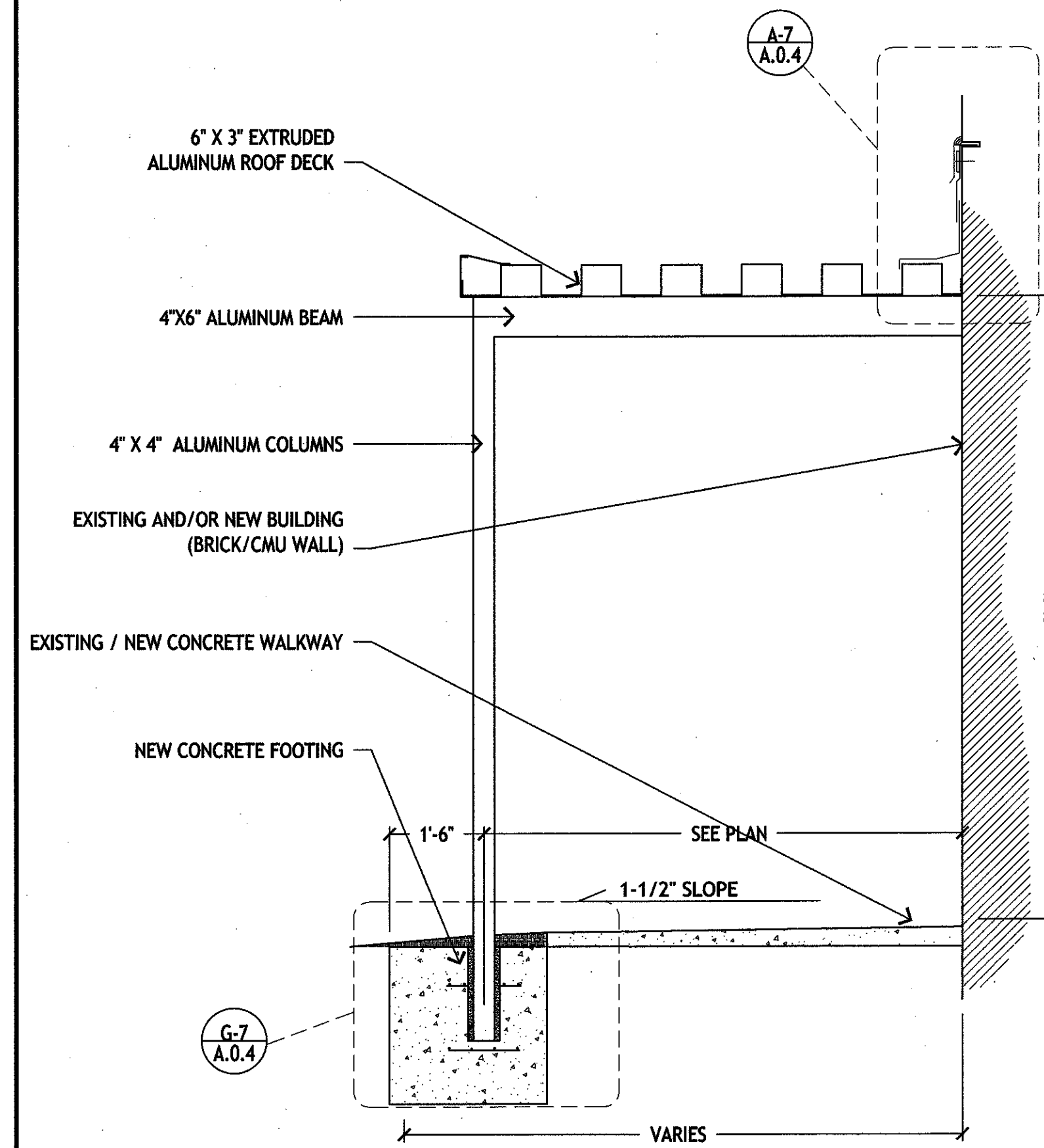
G-1 TYPICAL CANOPY POST PLAN

1-1/2"=1'-0"



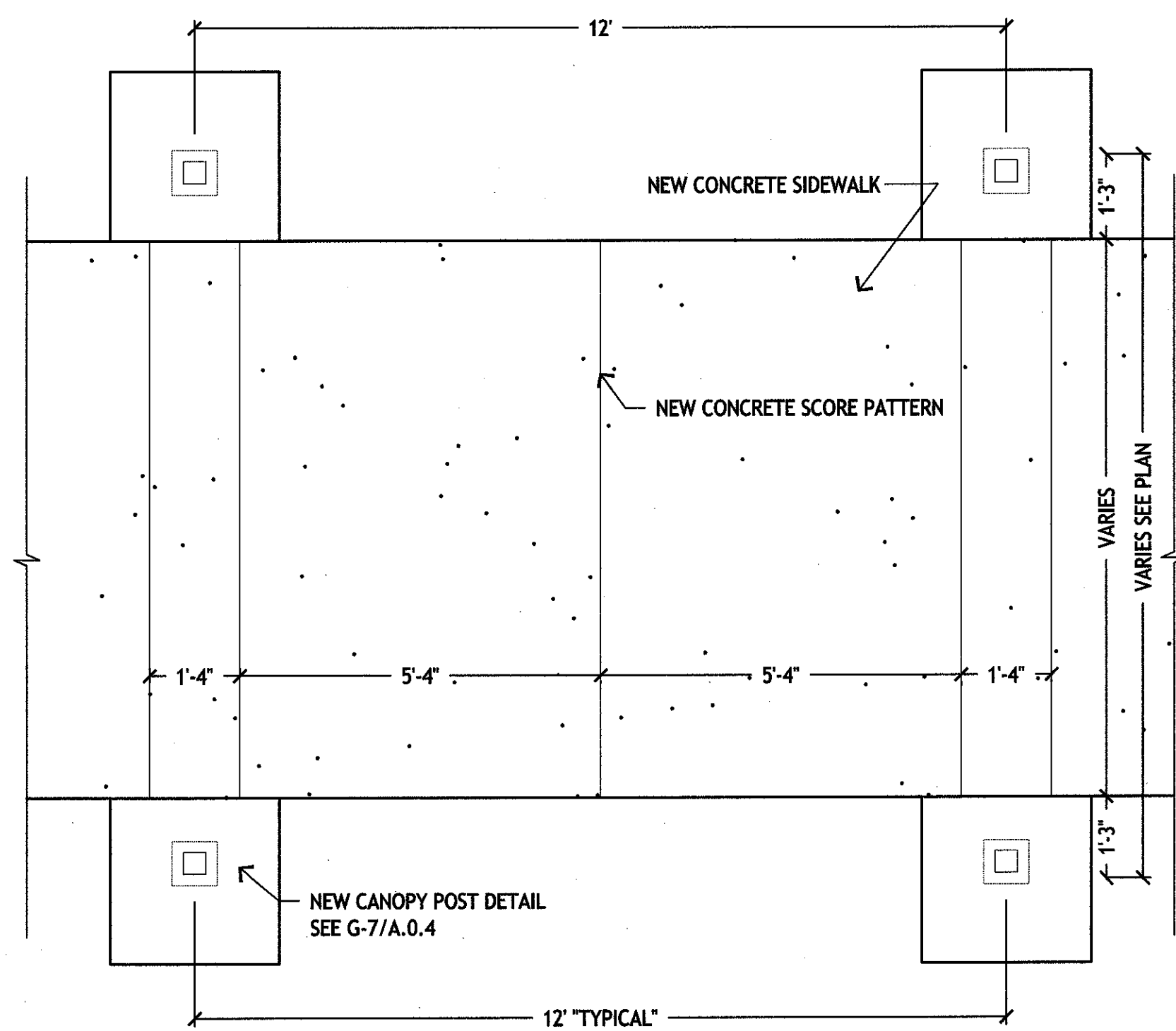
G-7 TYPICAL CANOPY POST DETAIL

1-1/2"=1'-0"



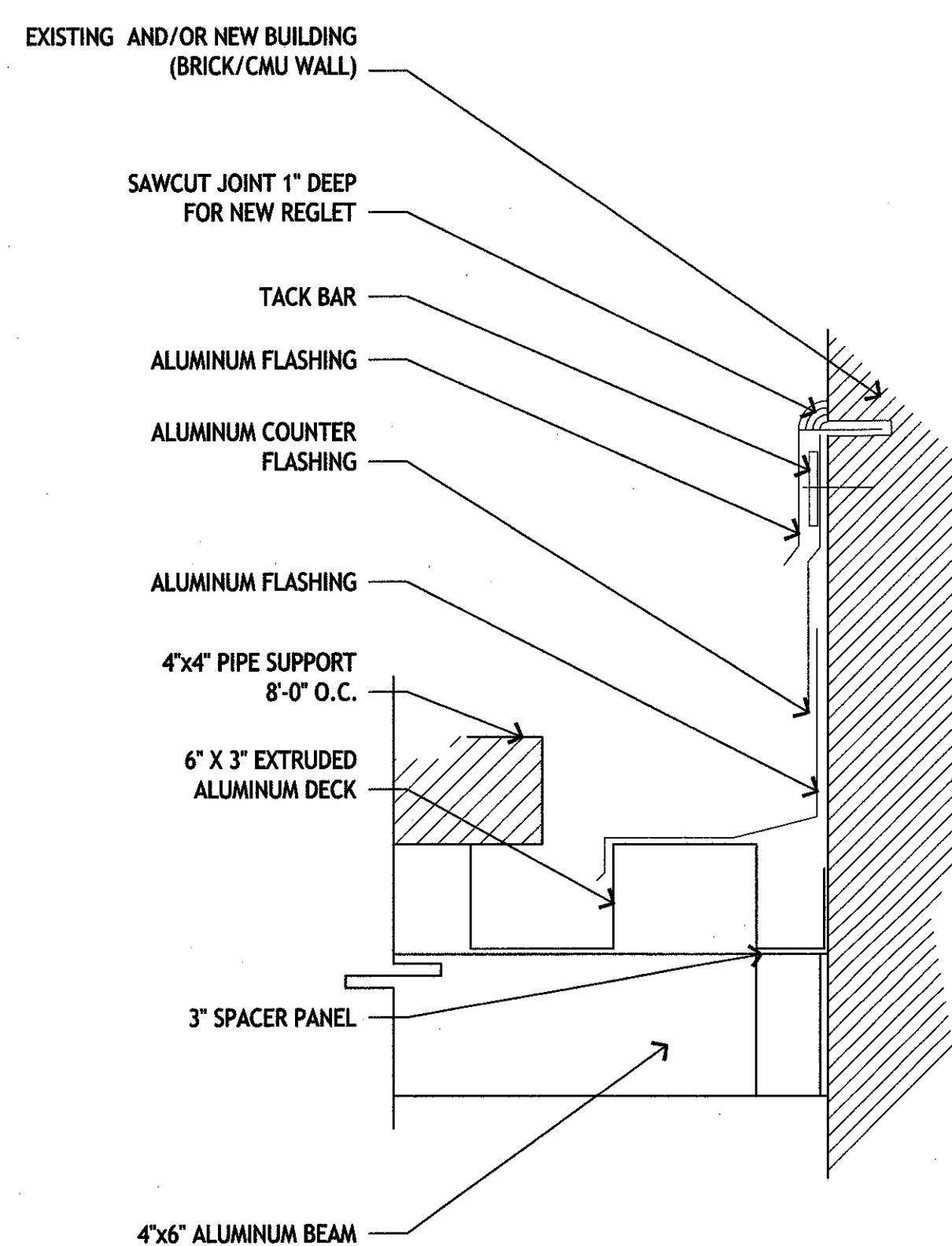
G-12 TYPICAL CANOPY SECTION @ BUILDING

1/2"=1'-0"



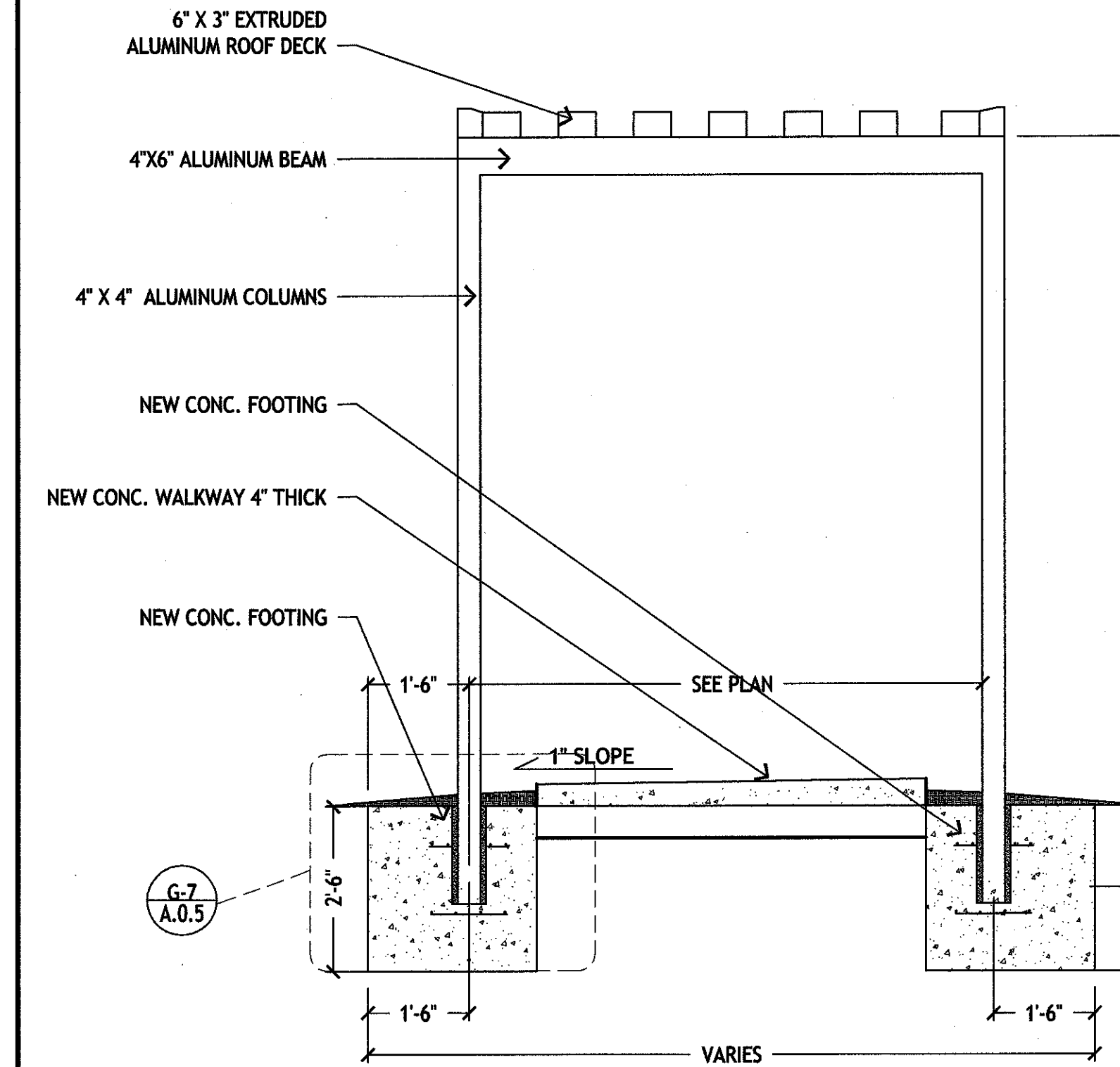
A-1 CONCRETE SIDEWALK SCORE PATTERN

1/2"=1'-0"



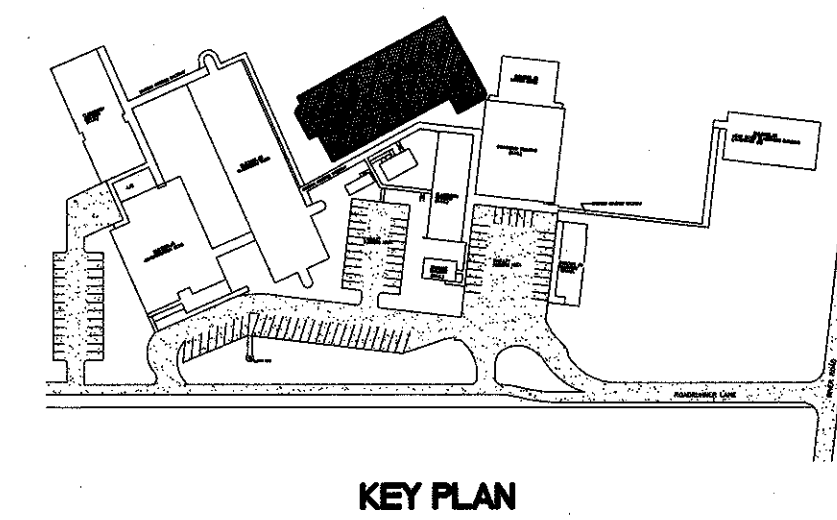
A-7 TYPICAL CANOPY TRANSITION DETAIL

1-1/2"=1'-0"



A-12 TYPICAL CANOPY SECTION

1/2"=1'-0"



MURRAY ARCHITECTS
 131 omnium center court
 8989 7th St., Suite 2705
 Dallas, TX 75247
 Tel: (972) 725-0392
 Fax: (972) 725-0392

no.	revisions	date
1		
2		
3		
4		
5		
6		

HARRY HURST MIDDLE SCHOOL WING ADDITION
 170 Roadrunner Lane, Destrehan, Louisiana 70047
 CANOPY DETAILS

drawing number
A.0.4
 project number
 1007
 date
 6.14.2010
 phase
 CD

THESE DOCUMENTS ARE PROTECTED BY UNITED STATES COPYRIGHT LAW. THEY HAVE BEEN PREPARED SPECIFICALLY FOR THE EXCLUSIVE USE OF THE CLIENT AND ARE NOT TO BE REPRODUCED OR TRANSMITTED IN ANY FORM OR BY ANY MEANS, ELECTRONIC OR MECHANICAL, INCLUDING PHOTOCOPYING, RECORDING, OR BY ANY INFORMATION STORAGE AND RETRIEVAL SYSTEM, WITHOUT THE WRITTEN PERMISSION OF MURRAY ARCHITECTS. ALL RIGHTS ARE RESERVED TO MURRAY ARCHITECTS.