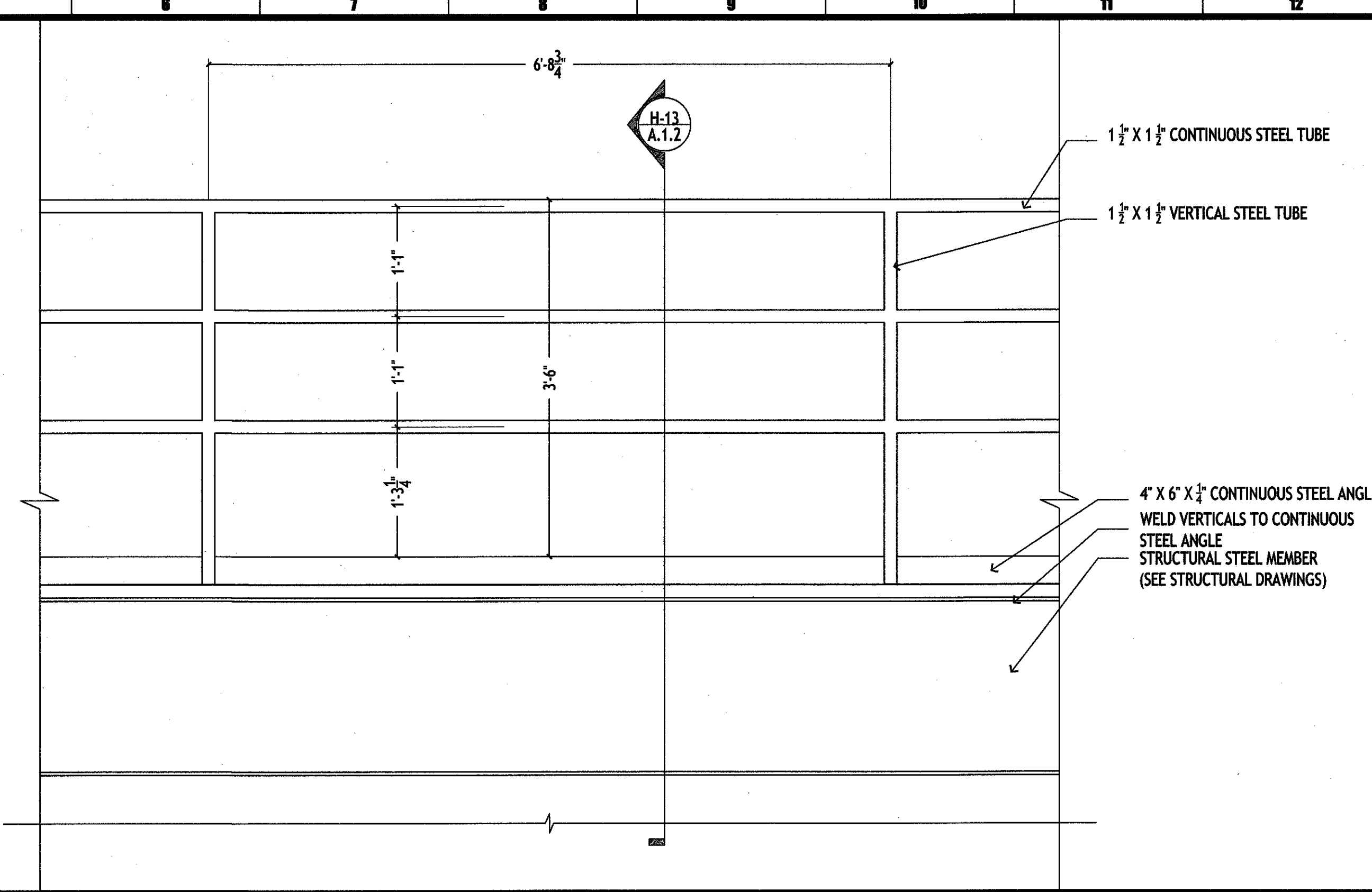
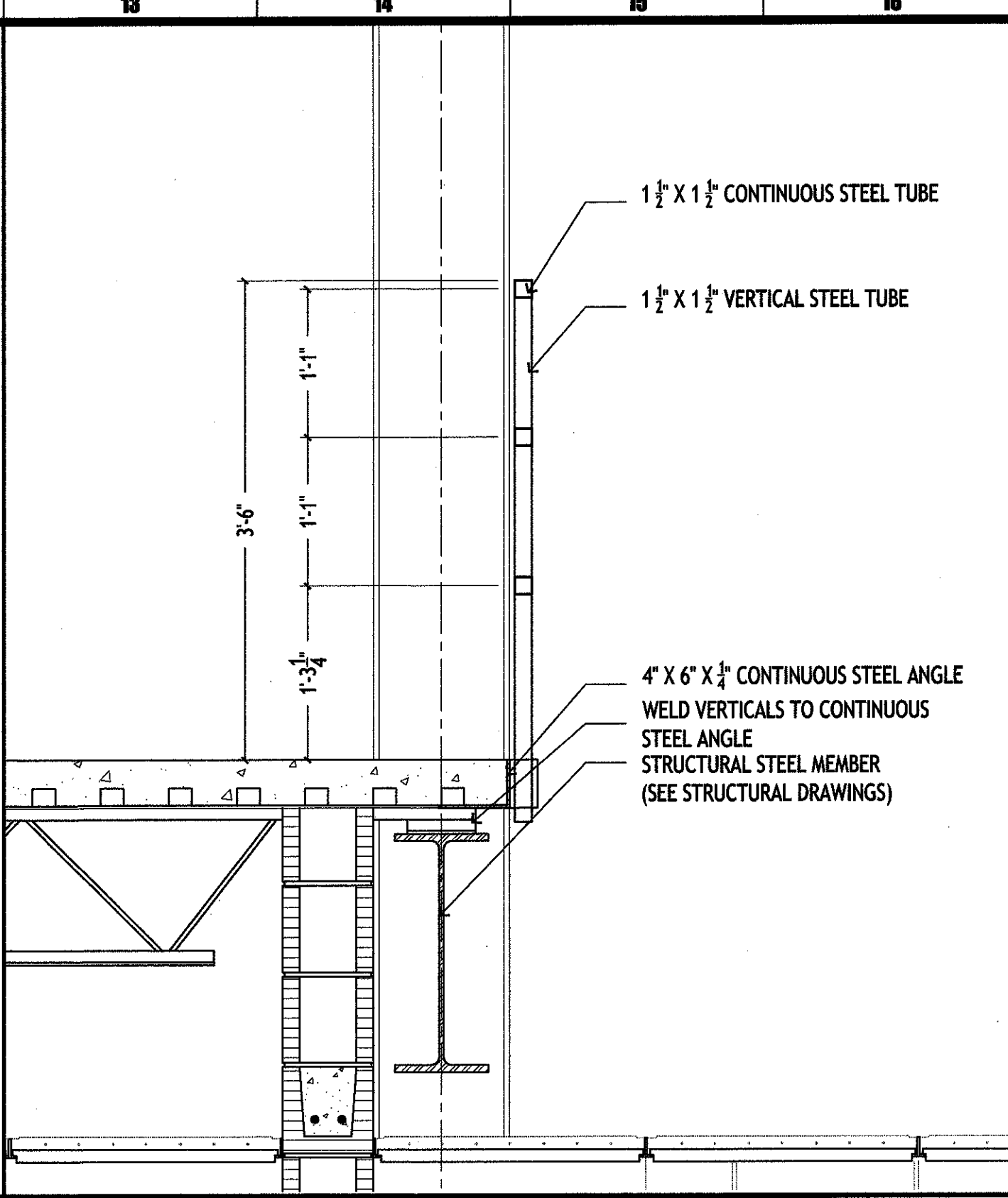


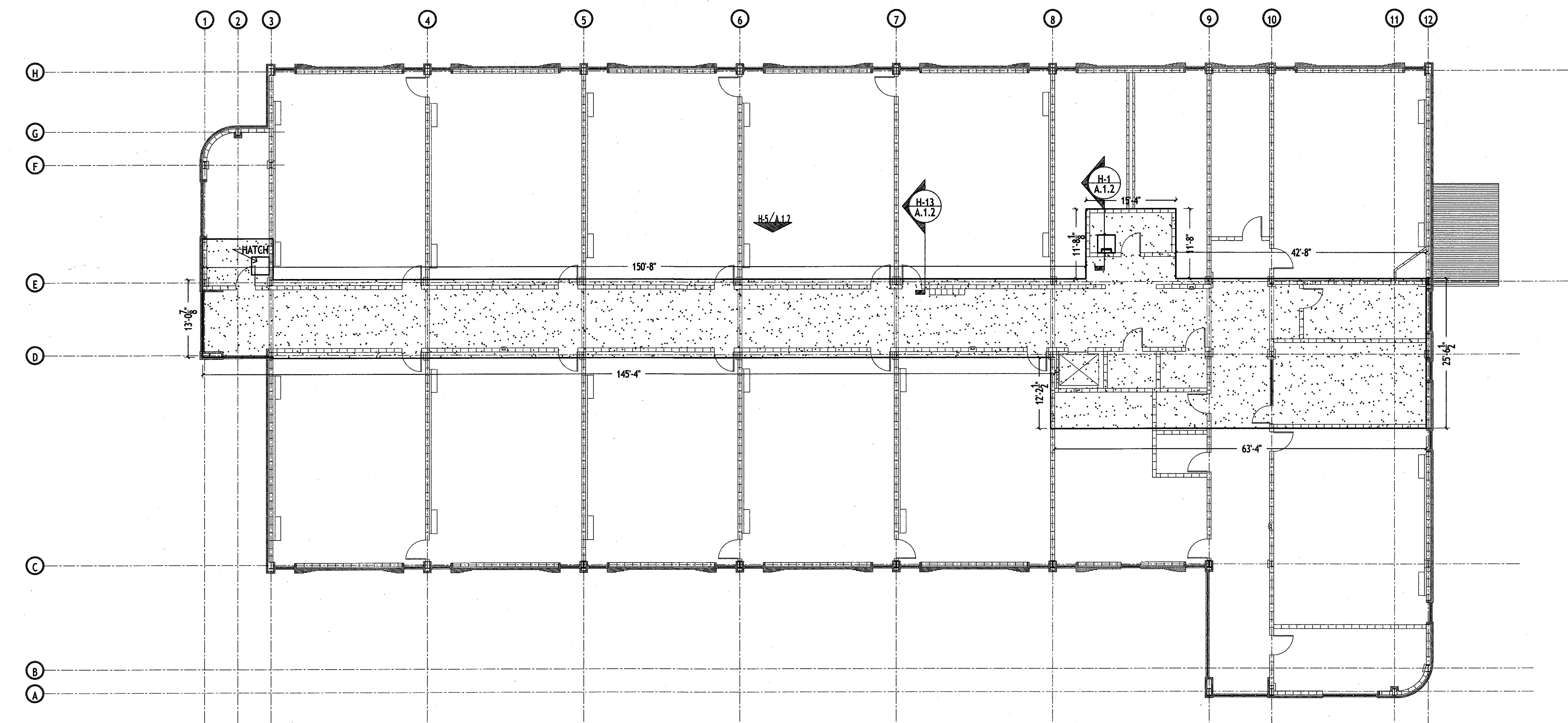
H-1 ATTIC ACCESS STAIR
1/2"=1'-0"



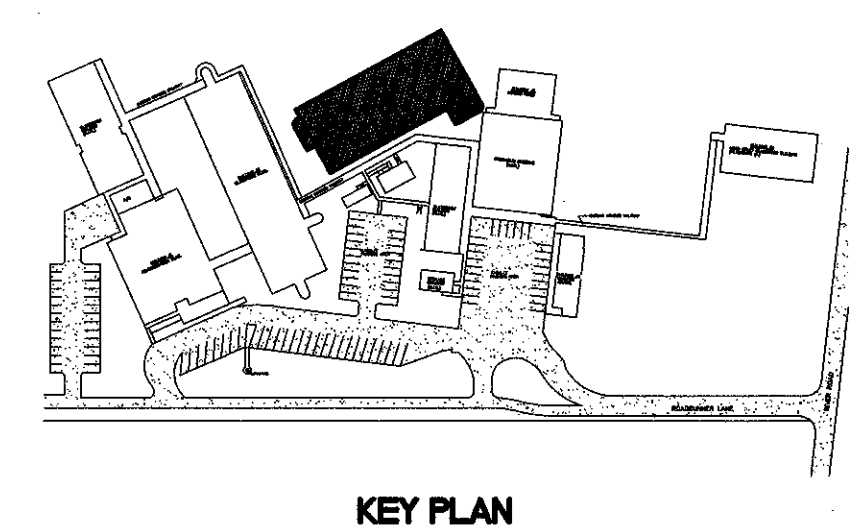
H-5 GUARD RAIL ELEVATION
1"=1'-0"



H-13 GUARD RAIL SECTION
1"=1'-0"



A-1 MEZZANINE PLAN
3/32"=1'-0"



MURRAY ARCHITECTS
133 Armond Center Court
Destrehan, LA 70024
Tel: (985) 725-0392
Fax: (985) 725-0392

no.	revisions	date
1		
2		
3		
4		
5		
6		

HARRY HURST MIDDLE SCHOOL WING ADDITION
170 Roadrunner Lane, Destrehan, Louisiana 70047

MEZZANINE PLAN

MICHAEL TABS
REG. NO. 689
STATE OF LOUISIANA
REGISTERED ARCHITECT

MURRAY ARCHITECTS
project number: 1007
date: 6.14.2010
phase: CD

drawing number: **A.1.2**

COPYRIGHT © 2010 MURRAY ARCHITECTS. ALL RIGHTS RESERVED. THESE DOCUMENTS ARE THE PROPERTY OF MURRAY ARCHITECTS AND ARE NOT TO BE REPRODUCED OR TRANSMITTED IN ANY FORM OR BY ANY MEANS, ELECTRONIC OR MECHANICAL, INCLUDING PHOTOCOPYING, RECORDING, OR BY ANY INFORMATION STORAGE AND RETRIEVAL SYSTEM, WITHOUT THE WRITTEN PERMISSION OF MURRAY ARCHITECTS.