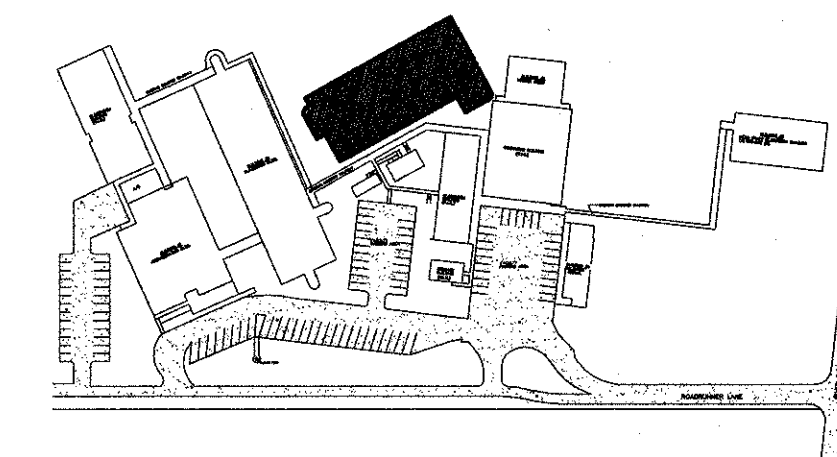


DOOR SCHEDULE

MARK	SIZE	FROM	TO	DESCRIPTION	FRAMING	THRESHOLD	HEAD	JAMB	SILL	HARDWARE SET	REMARKS	MARK
72	3'-0" x 7'-0" x 1-3/8"	CLASSROOM 128	CLASSROOM 127	SOLID CORE WOOD DOOR	HOLLOW METAL		J-13/A.7.1	E-13/A.7.1	A-13/A.7.1	SEE SPECIFICATIONS 5		72
73	3'-0" x 7'-0" x 1-3/8"	CLASSROOM 219	CLASSROOM 218	SOLID CORE WOOD DOOR	HOLLOW METAL		J-13/A.7.1	E-13/A.7.1	A-13/A.7.1	SEE SPECIFICATIONS 5		73
74	3'-0" x 7'-0" x 1-3/8"	CLASSROOM 204	CLASSROOM 203	SOLID CORE WOOD DOOR	HOLLOW METAL		J-13/A.7.1	E-13/A.7.1	A-13/A.7.1	SEE SPECIFICATIONS 5		74

WINDOW SCHEDULE

MARK	SIZE	DESCRIPTION	FRAMING	HEAD	JAMB	SILL	REMARKS	MARK
A	9'-4" x 23'-9 5/16"	STOREFRONT	ALUMINUM					A
B	3'-4" x 10'-0"	WINDOW	ALUMINUM					B
C	10'-2" x 10'-0"	STOREFRONT	ALUMINUM					C
D	7'-4" x 10'-0"	STOREFRONT	ALUMINUM					D
E	18'-0" x 10'-0"	STOREFRONT	ALUMINUM					E
F	9'-4" x 10'-0"	STOREFRONT	ALUMINUM					F
G	6'-11 1/2" x 10'-0"	STOREFRONT	ALUMINUM					G
H	10'-2" x 10'-0"	STOREFRONT	ALUMINUM					H
I	7'-4" x 10'-0"	STOREFRONT	ALUMINUM					I
J	9'-4" x 10'-0"	STOREFRONT	ALUMINUM					J
K	6'-11 1/2" x 10'-0"	STOREFRONT	ALUMINUM					K
L	8'-0" x 4'-8"	STOREFRONT	HOLLOW METAL				1/4" FIRE RATED WIRE SAFETY GLASS	L
M	12'-8" x 4'-8"	STOREFRONT	HOLLOW METAL				1/4" FIRE RATED WIRE SAFETY GLASS	M
N	18'-8" x 4'-8"	STOREFRONT	HOLLOW METAL				1/4" FIRE RATED WIRE SAFETY GLASS	N
O	12'-8" x 4'-8"	STOREFRONT	HOLLOW METAL				1/4" FIRE RATED WIRE SAFETY GLASS	O



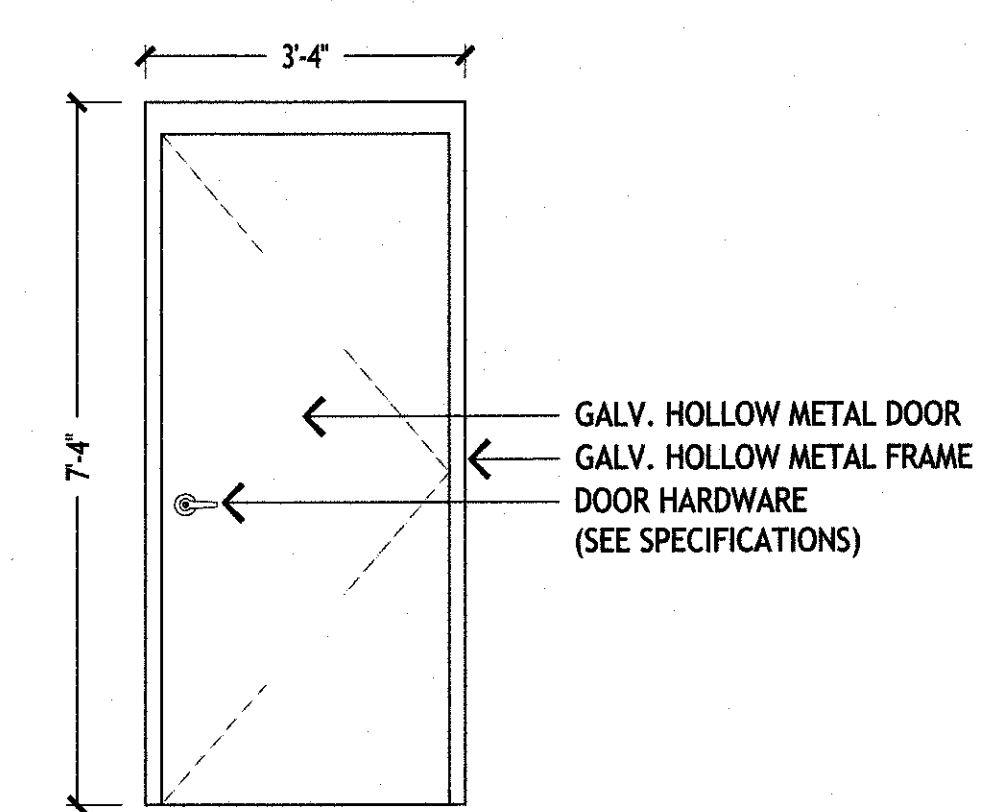
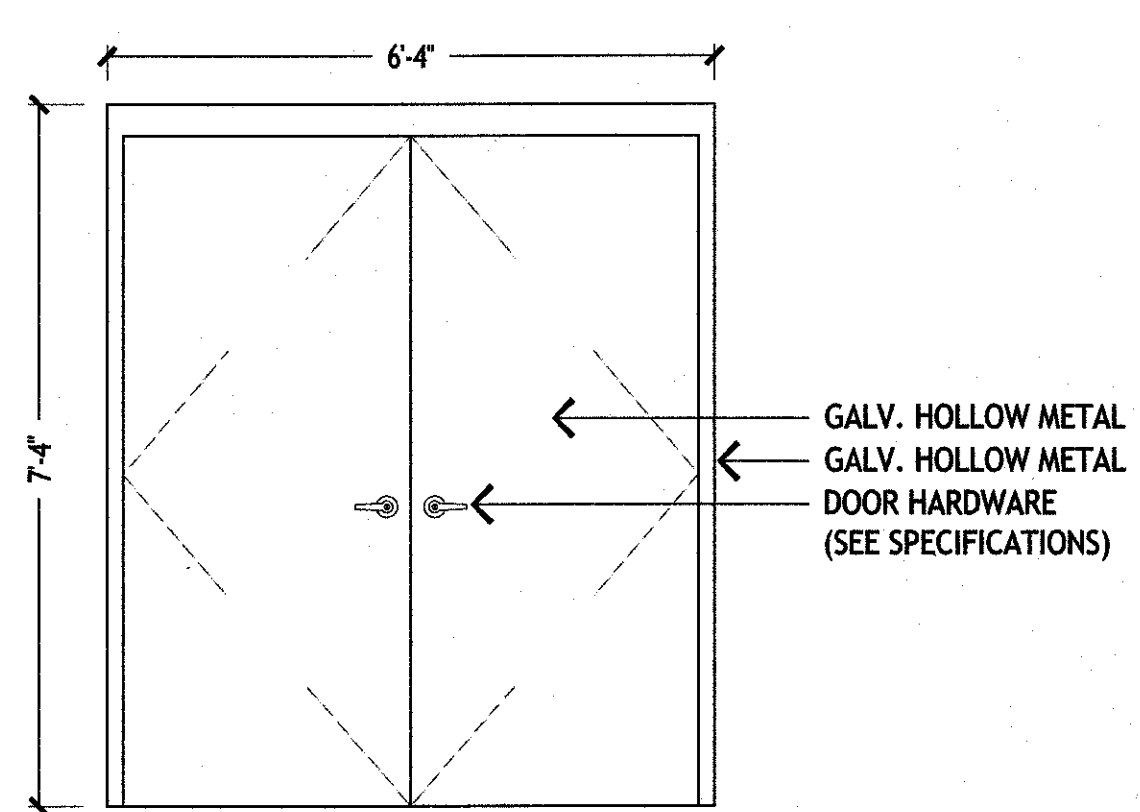
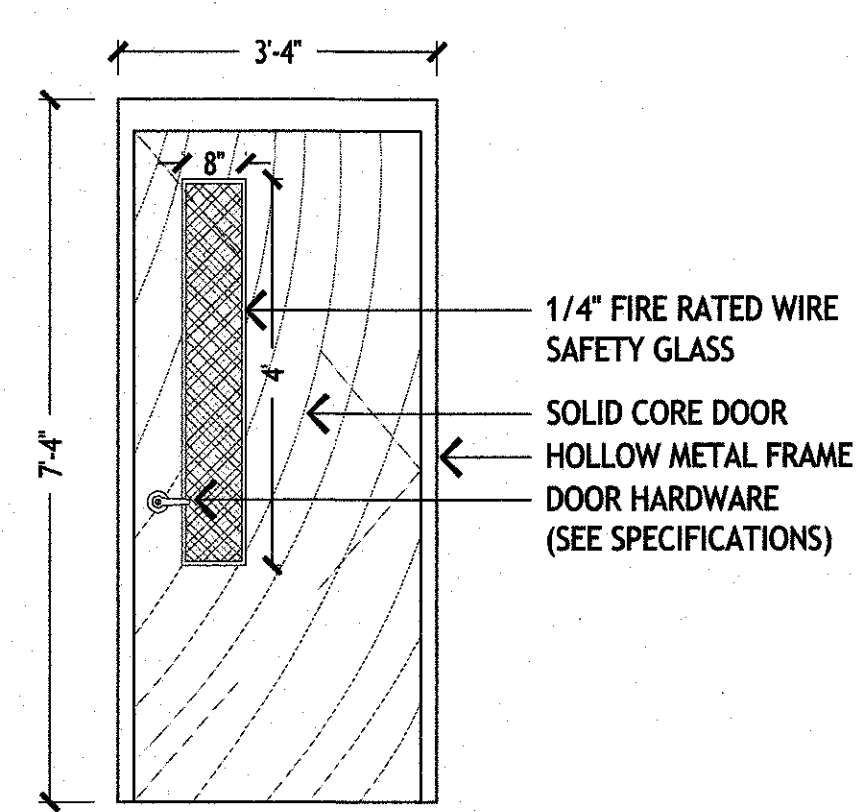
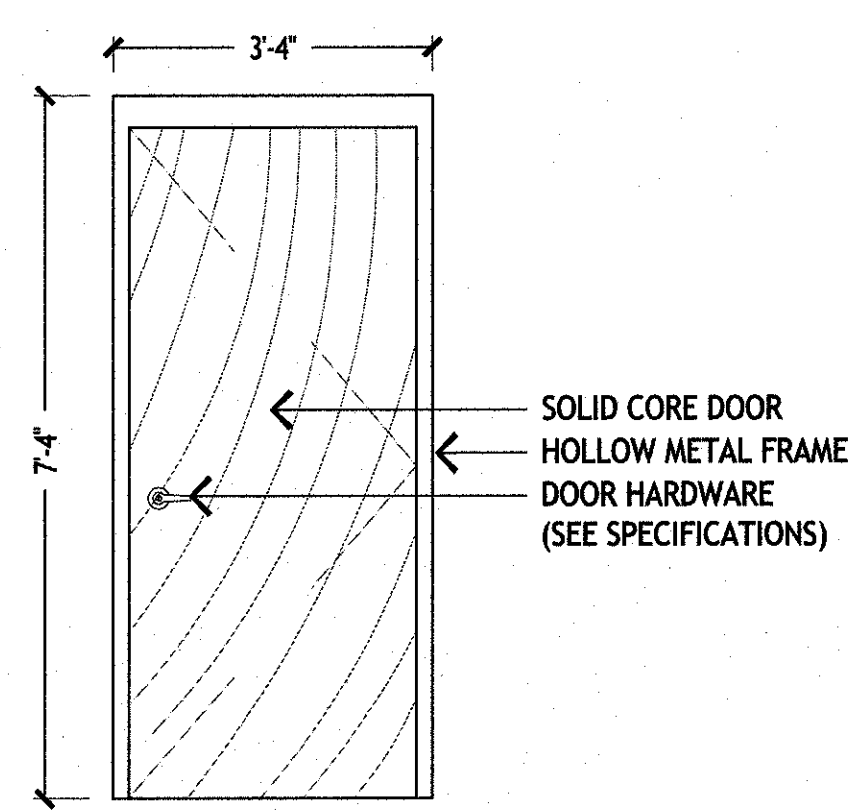
no.	revisions	date
1		
2		
3		
4		
5		
6		

**HARRY HURST MIDDLE SCHOOL
WING ADDITION**

170 Roadrunner Lane, Destrehan, Louisiana 70047

WINDOW SCHEDULE

	project number: 1007 date: 6.14.2010 phase: CD	drawing number <h1 style="font-size: 2em;">A.4.2</h1>
--	--	--



A-1	SOLID CORE WOOD DOOR	A-5	SOLID CORE WOOD DOOR WITH LITE	A-9	HOLLOW METAL DOOR	A-13	HOLLOW METAL DOOR
1/2"=1'-0"	TYPICAL	1/2"=1'-0"	TYPICAL	1/2"=1'-0"	TYPICAL	1/2"=1'-0"	TYPICAL

COPYRIGHT: ALL DOCUMENTS ARE PROTECTED BY UNITED STATES COPYRIGHT LAW. THEY HAVE BEEN PREPARED SPECIFICALLY FOR THE PROJECT DESCRIBED AND ARE NOT INTENDED FOR REUSE ON ANY OTHER PROJECT OR AT ANY OTHER LOCATION WITHOUT THE WRITTEN PERMISSION OF MURRAY ARCHITECTS. ALL RIGHTS ARE RESERVED TO MURRAY ARCHITECTS.