

GENERAL NOTES

- ALL FURNITURE SHALL BE PROVIDED AND INSTALLED BY THE OWNER. (UNLESS OTHERWISE SPECIFIED WITHIN THESE DOCUMENTS)

J-1 GIRLS RESTROOM 105 & 205

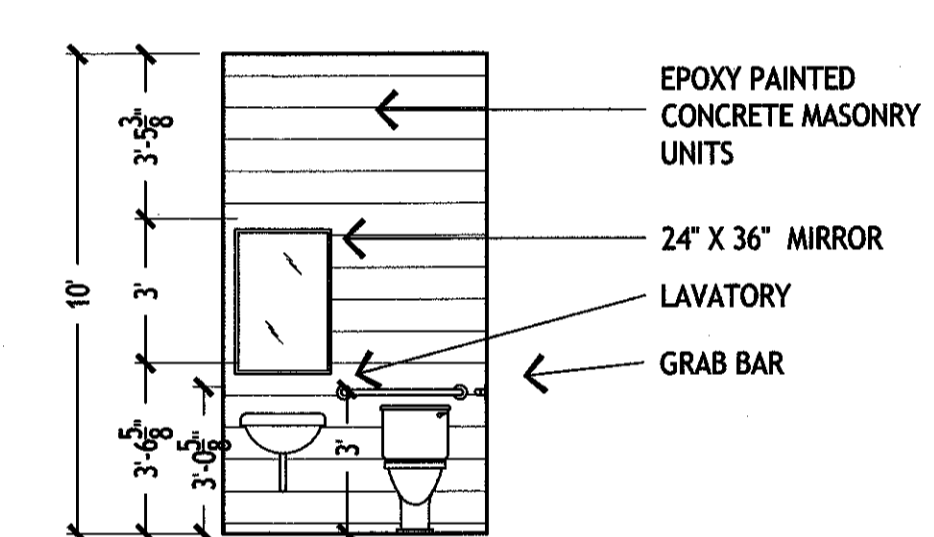
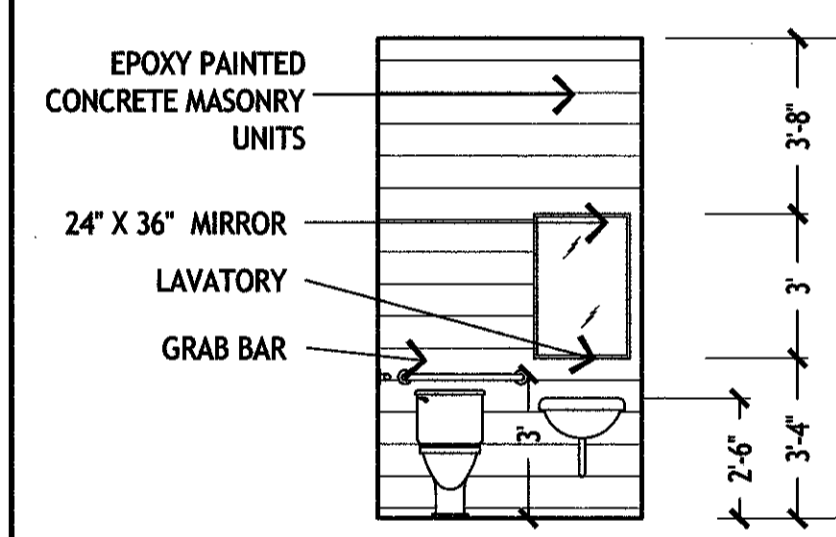
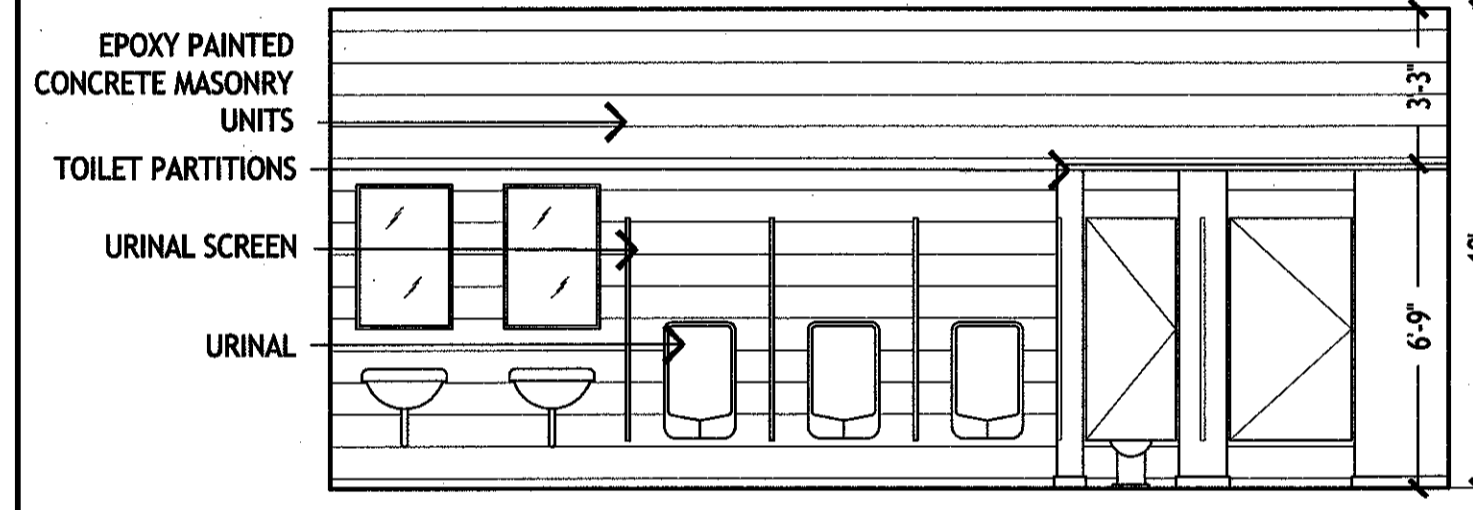
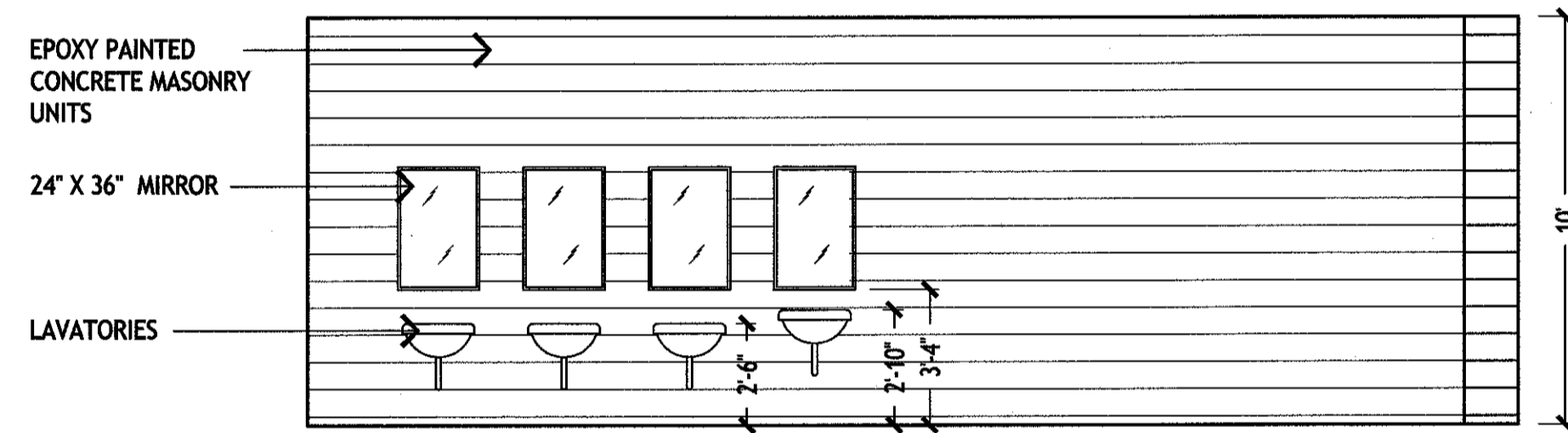
J-6 GIRLS RESTROOM 105 & 205
BOYS RESTROOM 206 OPPOSITE HAND

J-12 BOYS RESTROOM 206

1/4"=1'-0"

1/4"=1'-0"

1/4"=1'-0"



E-1 BOYS RESTROOM 106

E-7 BOYS RESTROOM 106

E-11 RESTROOM 120 & 215

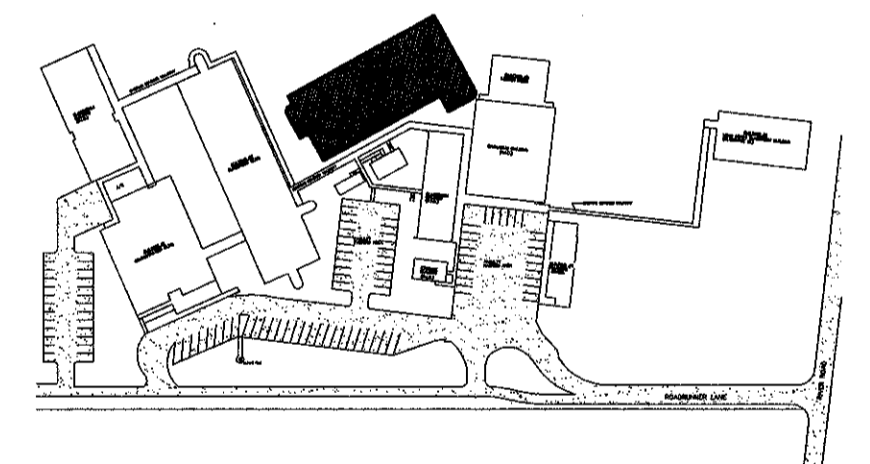
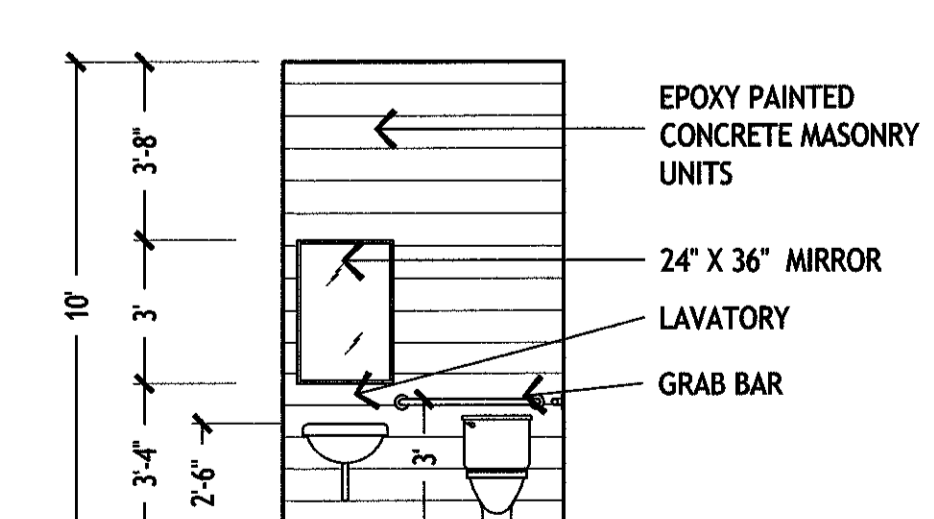
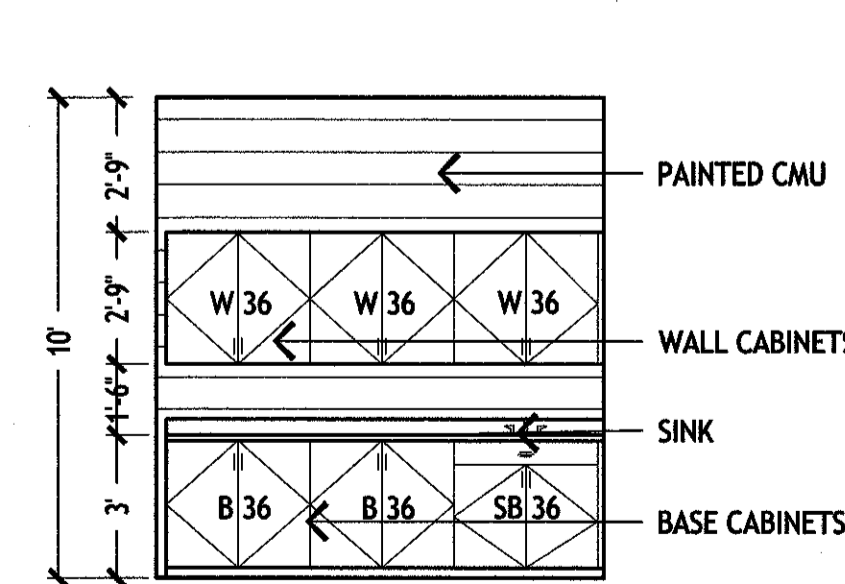
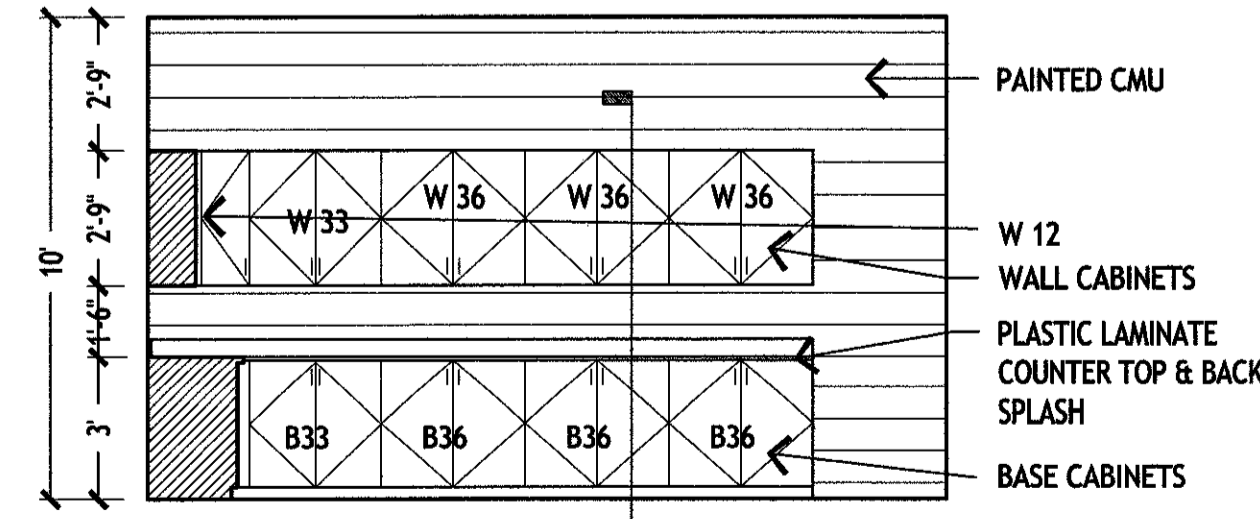
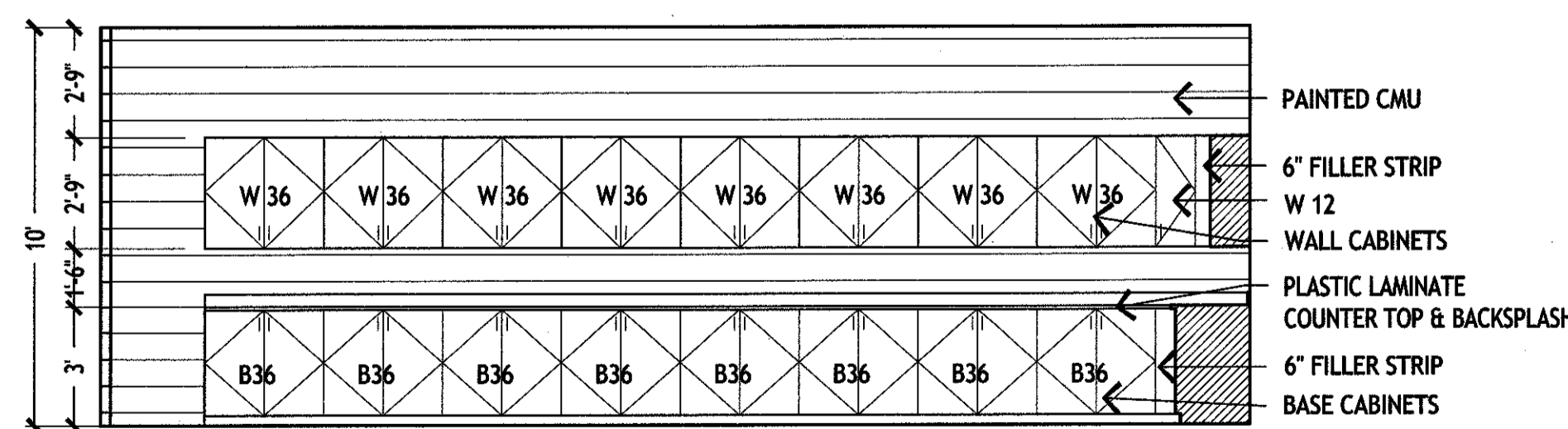
E-14 RESTROOM 121 & 214

1/4"=1'-0"

1/4"=1'-0"

1/4"=1'-0"

1/4"=1'-0"



KEY PLAN

MURRAY ARCHITECTS
 131 onward center court
 Metairie, LA 70047
 (985) 764-7275
 fax (985) 725-0382

no.	revisions	date
1		
2		
3		
4		
5		
6		

HARRY HURST MIDDLE SCHOOL WING ADDITION

170 Roadrunner Lane, Destrehan, Louisiana 70047

INTERIOR ELEVATIONS

MICHAEL TABS REG. NO. 9856
 project number 1007
 date 6.14.2010
 phase CD
 drawing number **A.4.3**

A-1 LOUNGE 213

A-7 LOUNGE 213

A-11 LOUNGE 213

A-14 RESTROOM 111

1/4"=1'-0"

1/4"=1'-0"

1/4"=1'-0"

1/4"=1'-0"

THE PROJECT IDENTIFIED AND ARE NOT SUITABLE FOR USE ON ANY OTHER PROJECT OR AT ANY OTHER LOCATION WITHOUT THE WRITTEN APPROVAL OF MURRAY ARCHITECTS. REPRODUCTION OF ANY PART OF THIS DRAWING WITHOUT THE WRITTEN APPROVAL OF MURRAY ARCHITECTS IS STRICTLY PROHIBITED.