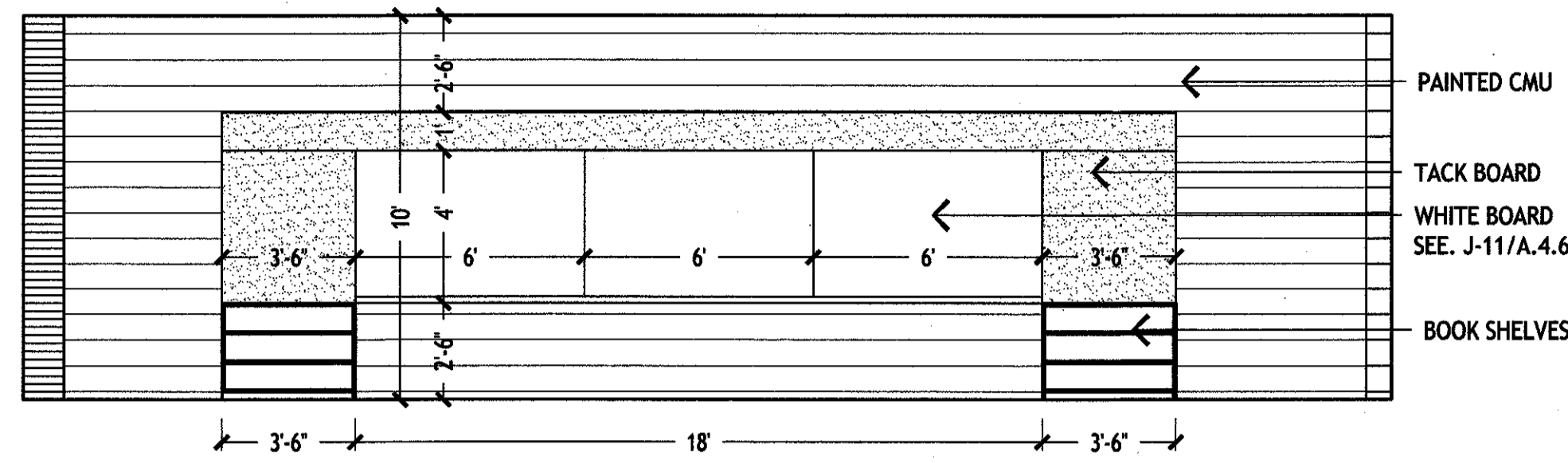


J-1 CLASSROOM 209

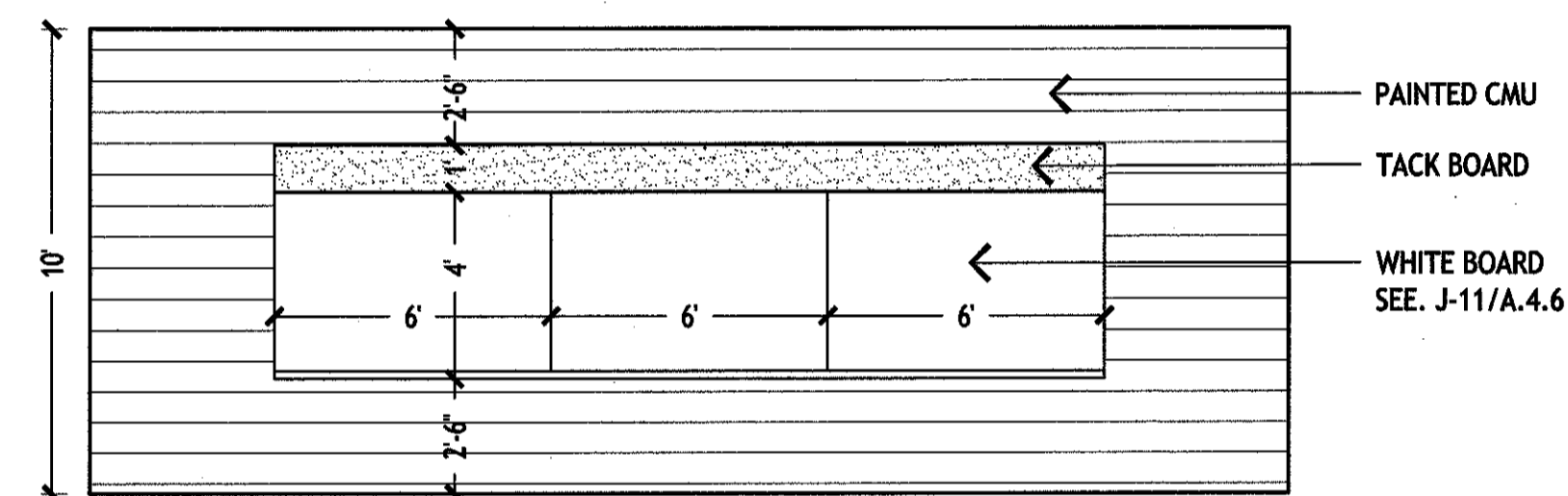
1/4"=1'-0"



J-8 WHITE BOARD - CLASSROOM 109 & 209

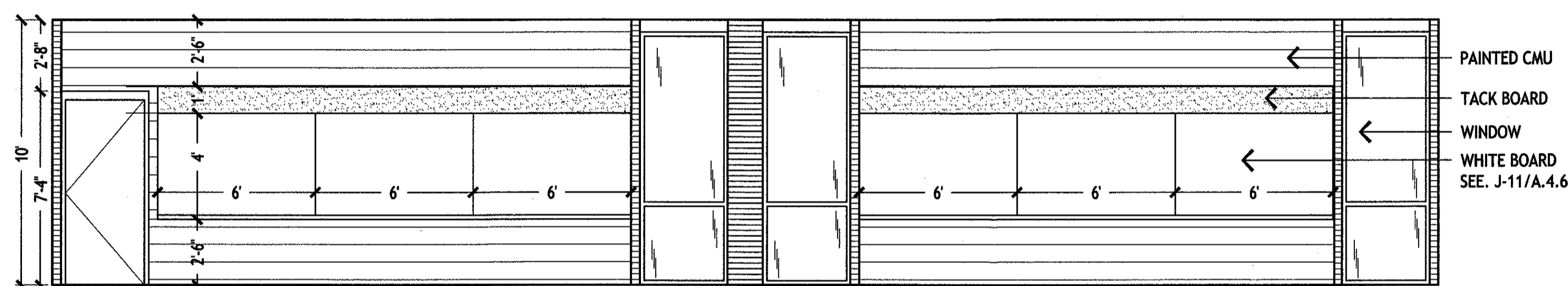
1/4"=1'-0"

OMIT WINDOWS AT CLASSROOM 109



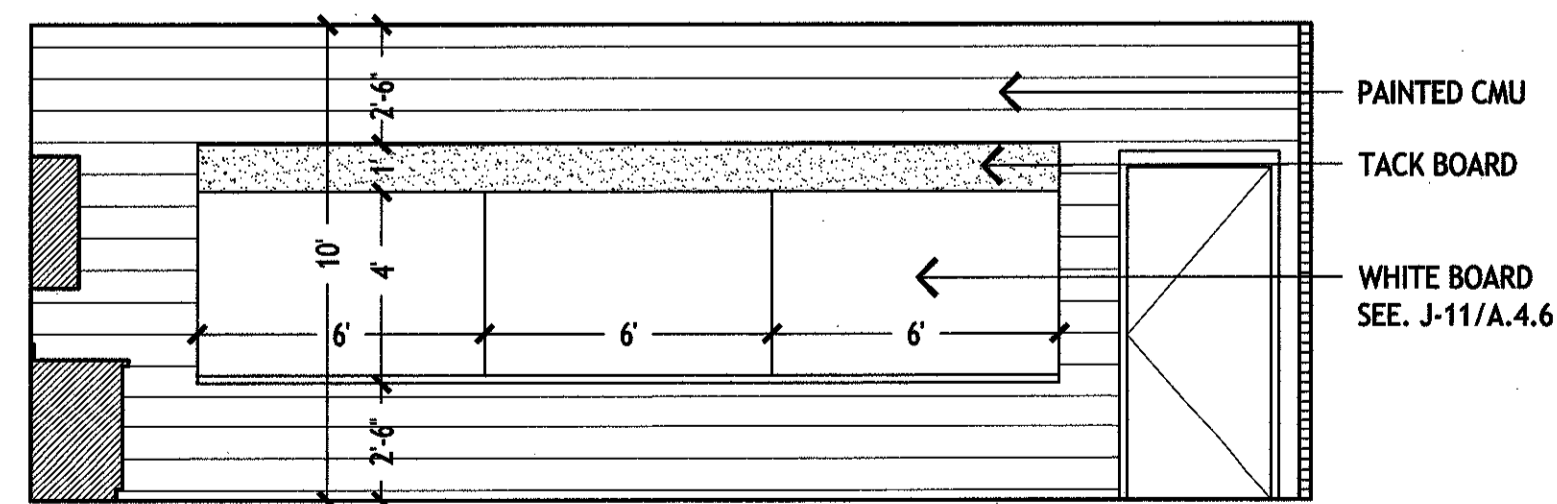
E-1 WHITE BOARD - COMPUTER LAB 113

1/4"=1'-0"



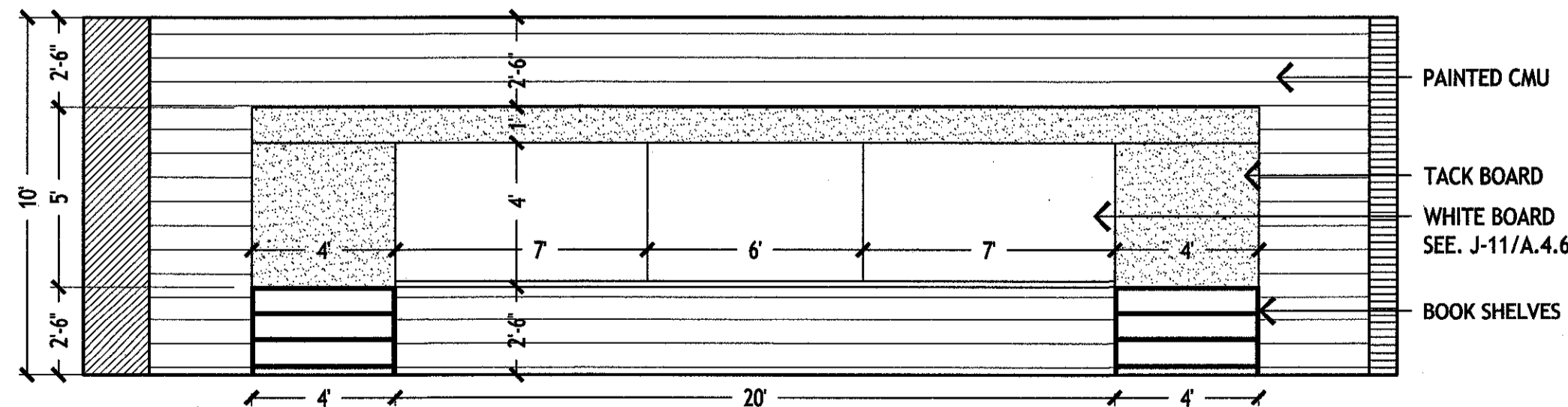
E-8 WHITE BOARD - SCIENCE LAB 103

1/4"=1'-0"



A-1 WHITE BOARD - SCIENCE LAB 103

1/4"=1'-0"

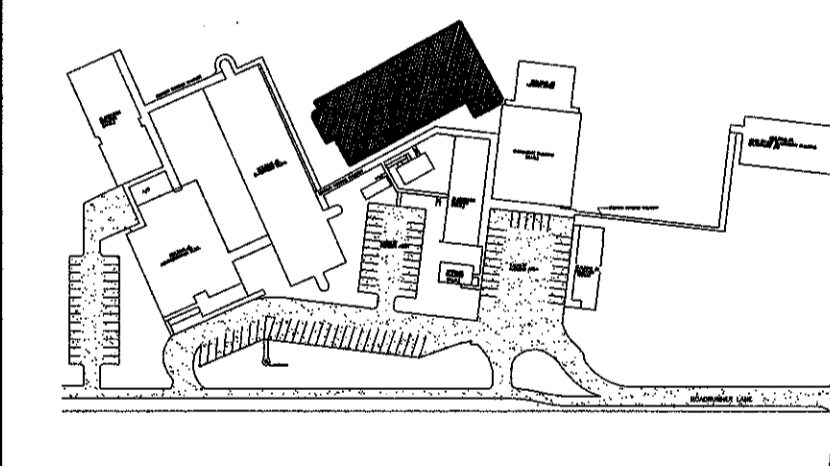


A-8 WHITE BOARD - CLASSROOM 100, 102, 127, 129, 131, 200, 202, 204, 218, 220, 222

1/4"=1'-0"

GENERAL NOTES

- ALL FURNITURE SHALL BE PROVIDED AND INSTALLED BY THE OWNER. (UNLESS OTHERWISE SPECIFIED WITHIN THESE DOCUMENTS)



KEY PLAN

MURRAY ARCHITECTS
 131 Grand Center Court
 Metairie, LA 70004
 (866) 784-7275
 Fax: (866) 725-0182

no.	revisions	date
1		
2		
3		
4		
5		
6		

HARRY HURST MIDDLE SCHOOL
 WING ADDITION
 170 Roadrunner Lane, Destrehan, Louisiana 70047

INTERIOR ELEVATIONS

MICHAEL TABS
 REG. NO. 8668
 ARCHITECT
 STATE OF LOUISIANA
 REGISTERED ARCHITECT

MURRAY ARCHITECTS
 project number 1007
 date 6.14.2010
 phase CD

drawing number **A.4.5**

THESE DOCUMENTS AND ANY INFORMATION CONTAINED HEREIN ARE THE PROPERTY OF MURRAY ARCHITECTS AND SHALL REMAIN THE PROPERTY OF MURRAY ARCHITECTS. NO PART OF THESE DOCUMENTS MAY BE REPRODUCED OR TRANSMITTED IN ANY FORM OR BY ANY MEANS, ELECTRONIC OR MECHANICAL, INCLUDING PHOTOCOPYING, RECORDING, OR BY ANY INFORMATION STORAGE AND RETRIEVAL SYSTEM, WITHOUT THE WRITTEN PERMISSION OF MURRAY ARCHITECTS. APPROVED FOR THE ARCHITECT: ALL RIGHTS ARE RESERVED TO MURRAY ARCHITECTS.