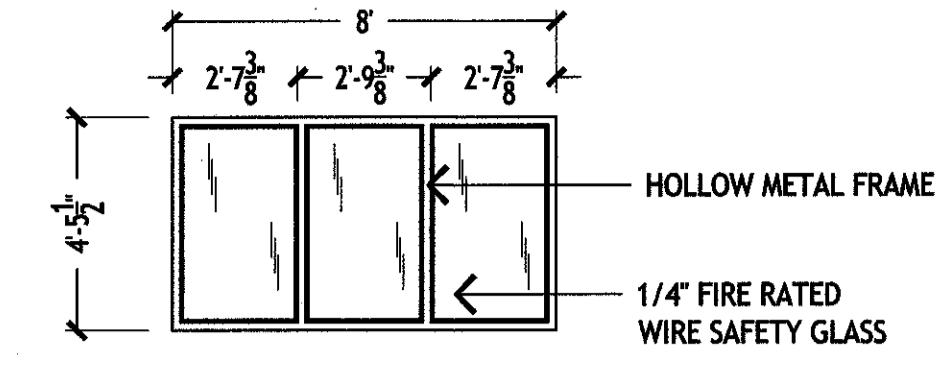
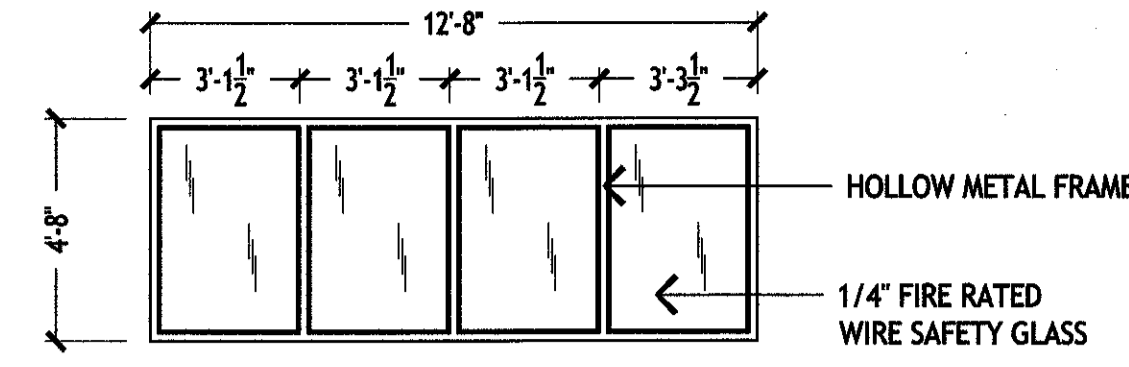
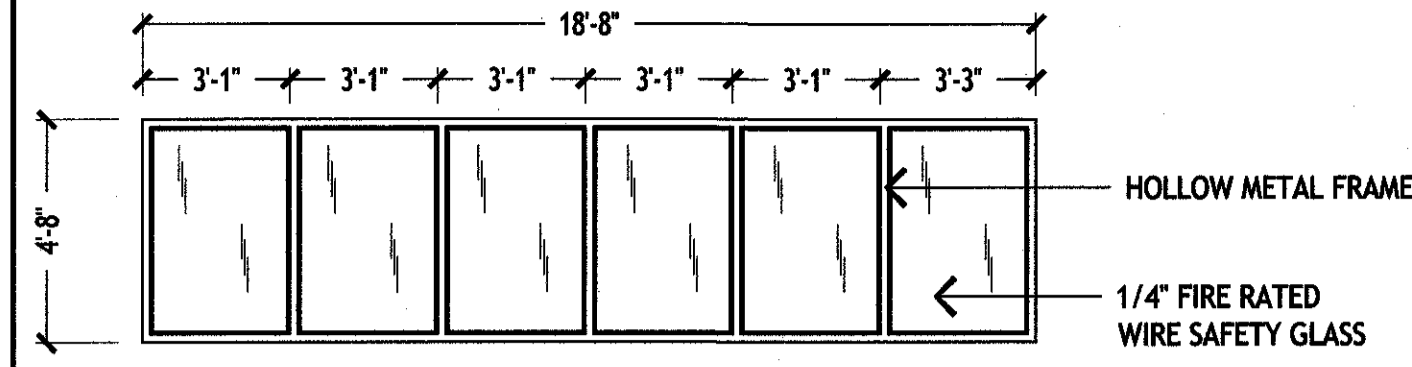
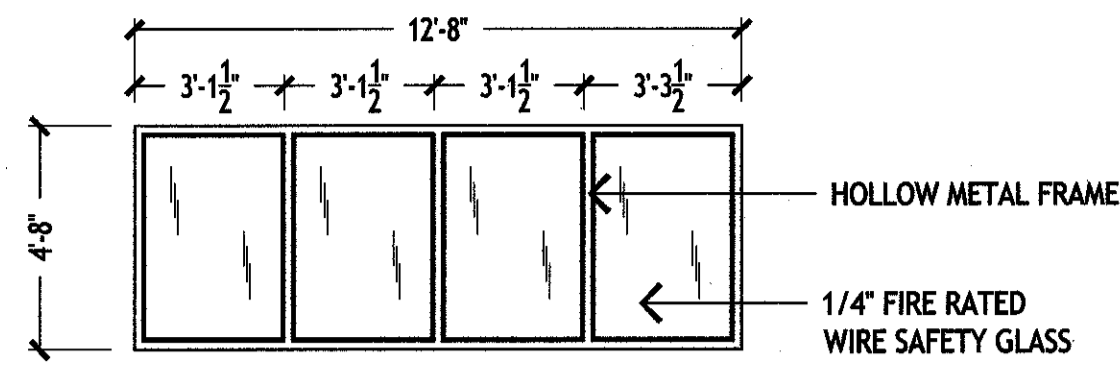


**GENERAL NOTES**

- ALL FURNITURE SHALL BE PROVIDED AND INSTALLED BY THE OWNER. (UNLESS OTHERWISE SPECIFIED WITHIN THESE DOCUMENTS)



**K-1 TYPICAL WINDOW ELEVATION "O"**

**K-5 TYPICAL WINDOW ELEVATION "N"**

**K-9 TYPICAL WINDOW ELEVATION "M"**

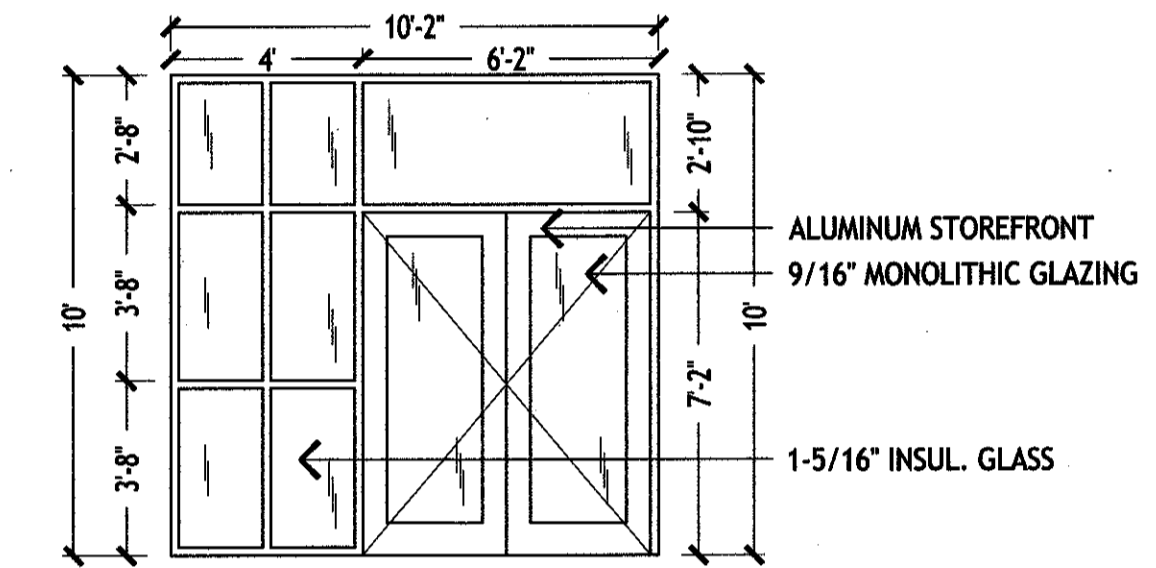
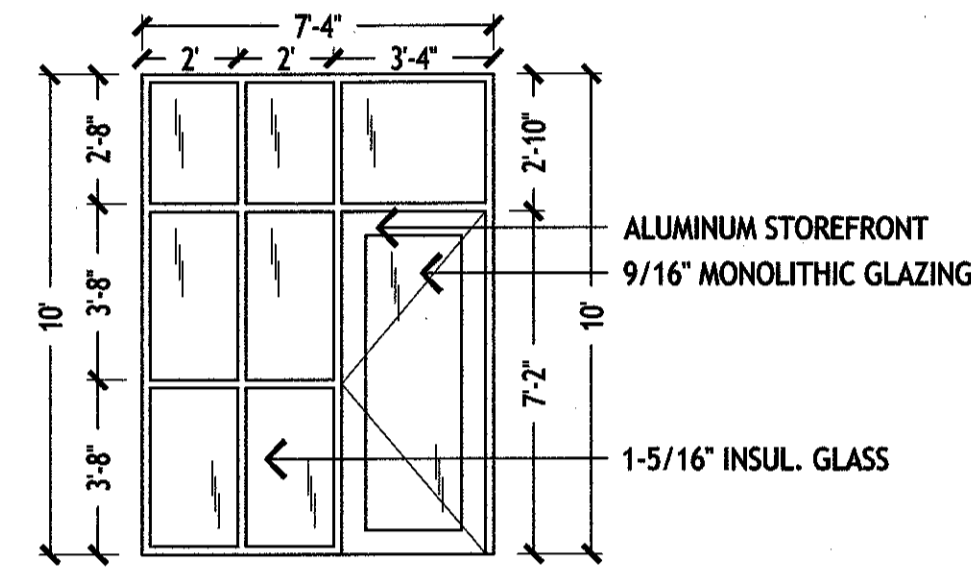
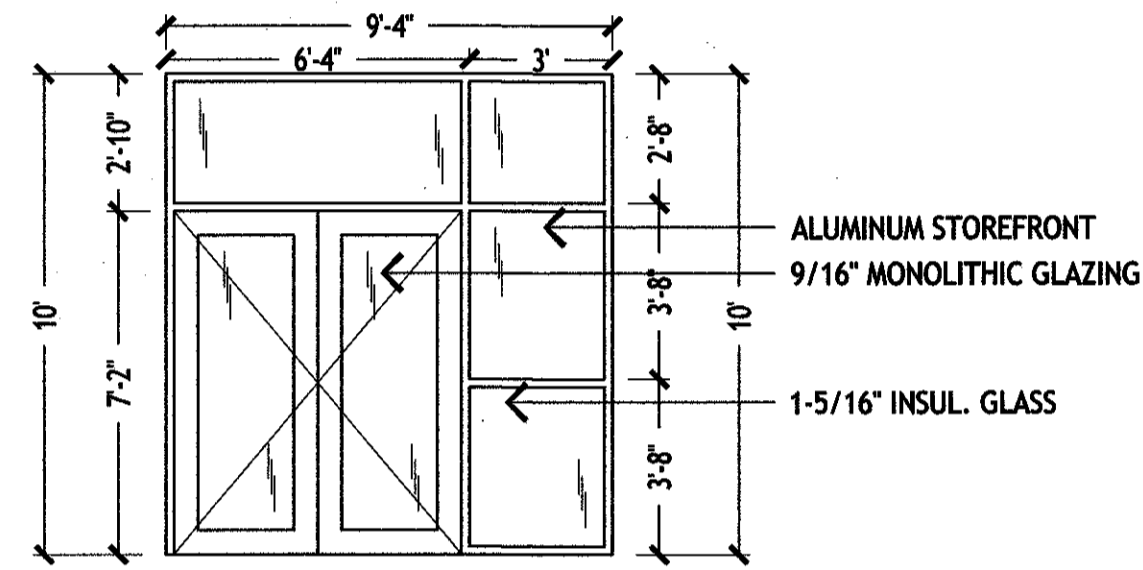
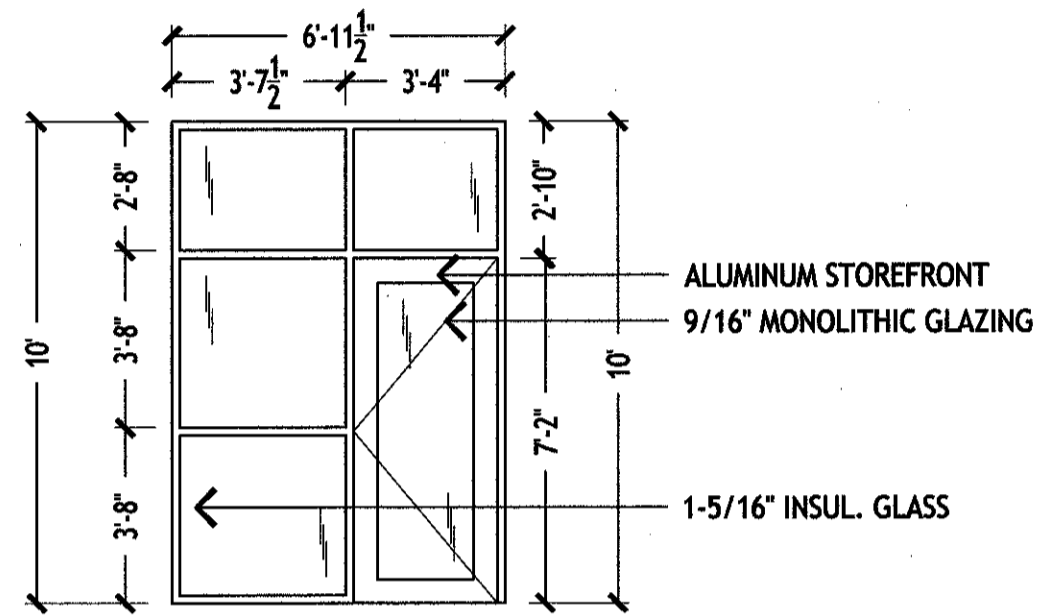
**K-13 TYPICAL WINDOW ELEVATION "L"**

1/4"=1'-0"

1/4"=1'-0"

1/4"=1'-0"

1/4"=1'-0"



**G-1 TYPICAL STOREFRONT ELEVATION "K"**

**G-5 TYPICAL STOREFRONT ELEVATION "J"**

**G-9 TYPICAL STOREFRONT ELEVATION "I"**

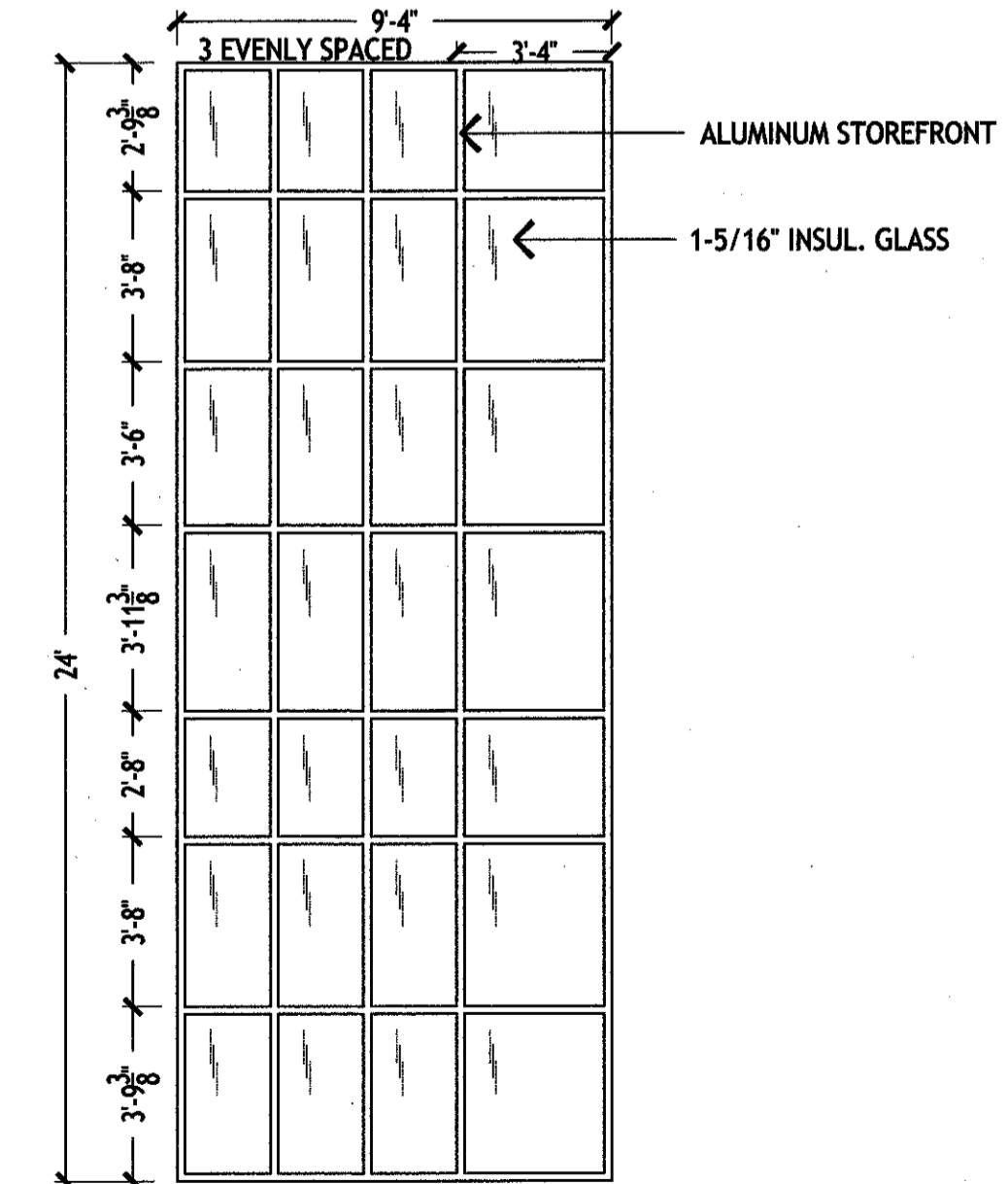
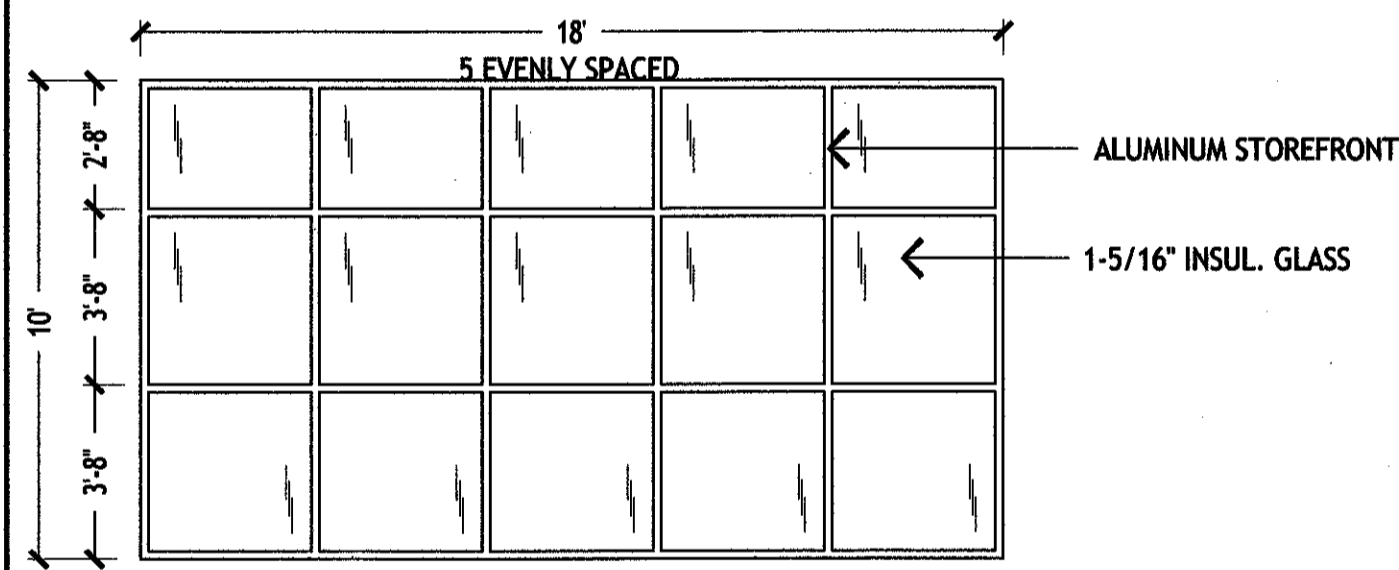
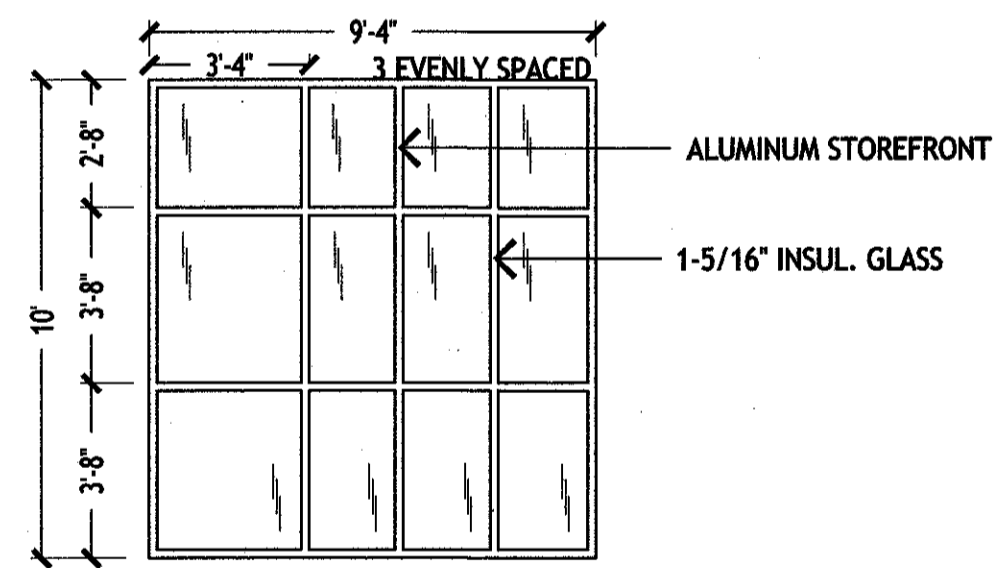
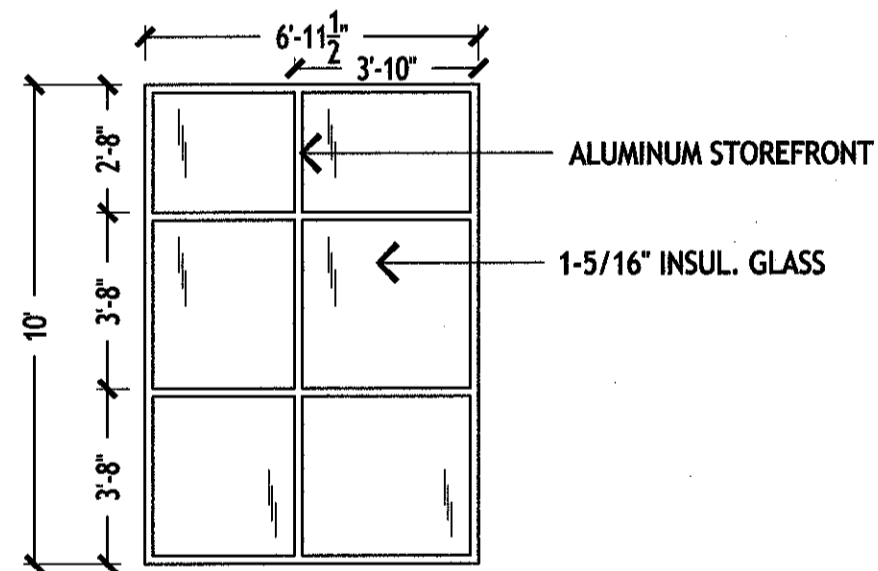
**G-13 TYPICAL DOOR ELEVATION "H"**

1/4"=1'-0"

1/4"=1'-0"

1/4"=1'-0"

1/4"=1'-0"



**D-1 TYPICAL STOREFRONT ELEVATION "G"**

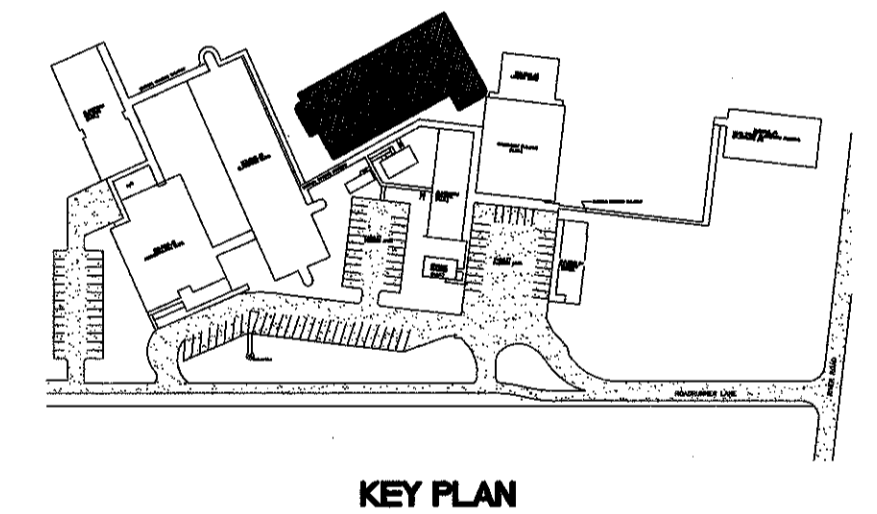
**D-5 TYPICAL STOREFRONT ELEVATION "F"**

**D-9 TYPICAL STOREFRONT ELEVATION "E"**

1/4"=1'-0"

1/4"=1'-0"

1/4"=1'-0"



| no. | revisions | date |
|-----|-----------|------|
| 1   |           |      |
| 2   |           |      |
| 3   |           |      |
| 4   |           |      |
| 5   |           |      |
| 6   |           |      |

**HARRY HURST MIDDLE SCHOOL WING ADDITION**

170 Roadrunner Lane, Destrehan, Louisiana 70047

DOOR AND WINDOW ELEVATIONS

project number: 1007  
 date: 6.14.2010  
 phase: CD  
 drawing number: **A.4.7**

**A-1 TYPICAL STOREFRONT ELEVATION "D"**

**A-5 TYPICAL STOREFRONT ELEVATION "C"**

**A-9 TYPICAL WINDOW ELEVATION "B"**

**A-13 TYPICAL STOREFRONT ELEVATION "A"**

1/4"=1'-0"

1/4"=1'-0"

1/4"=1'-0"

1/4"=1'-0"

