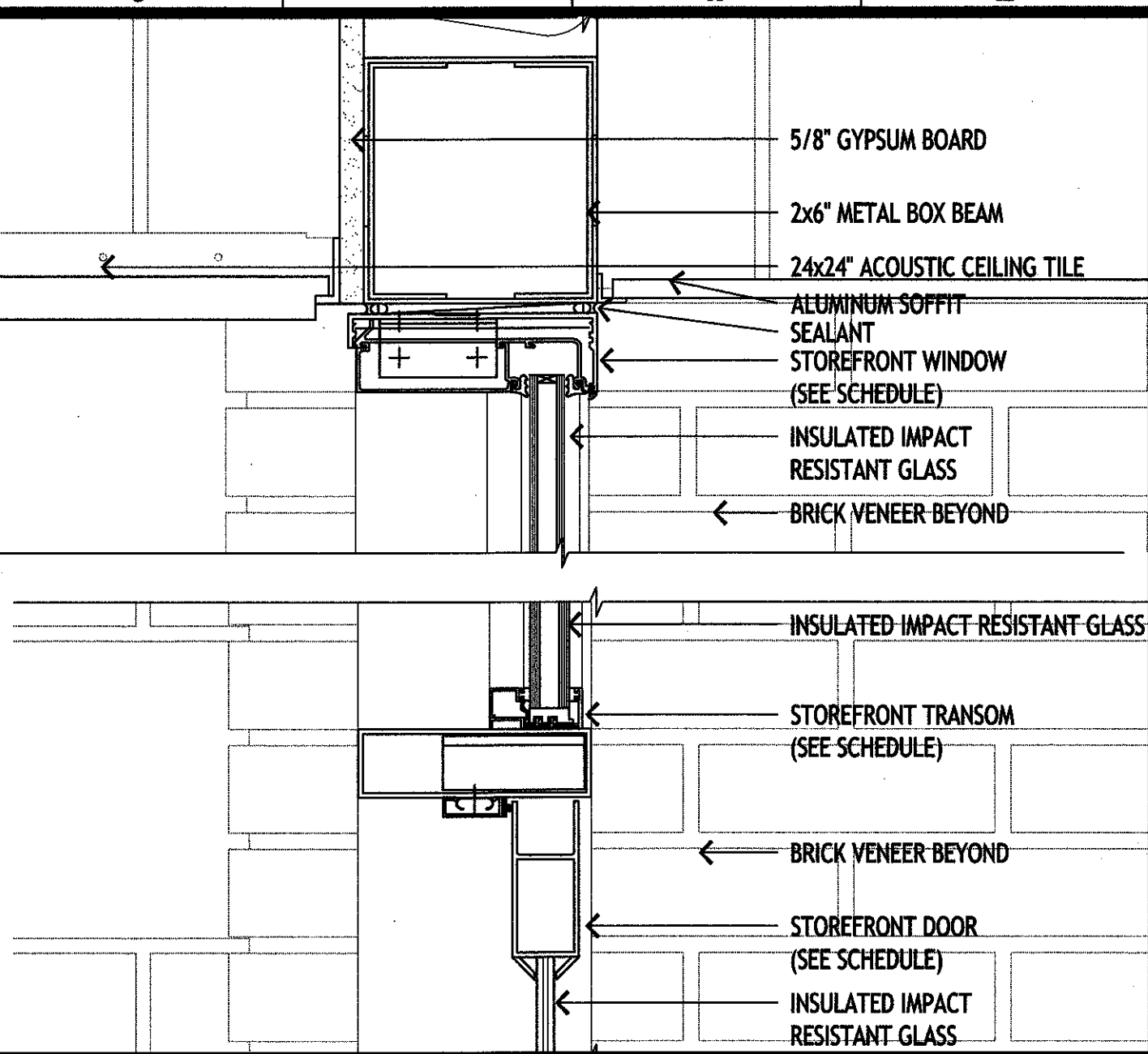
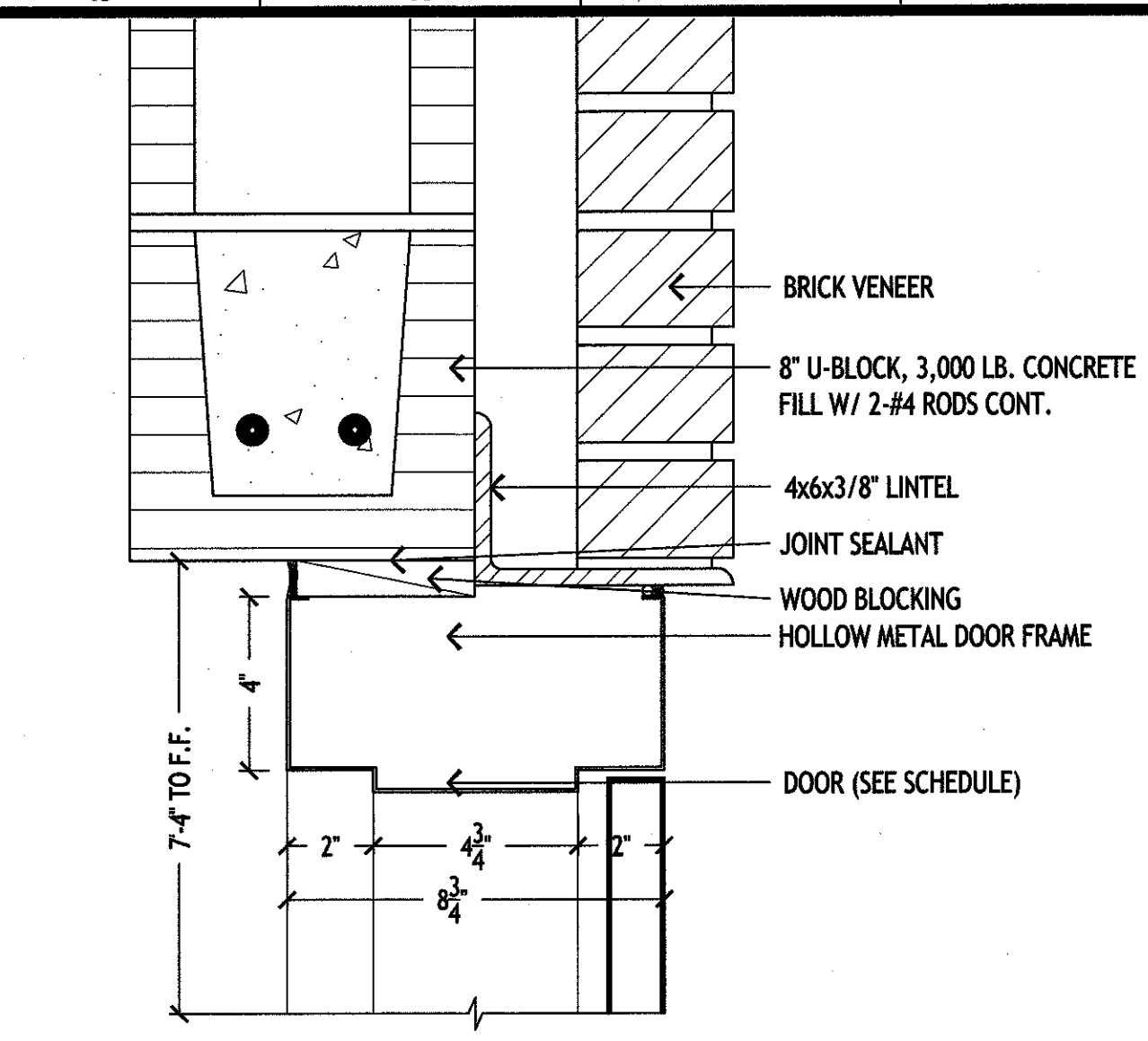


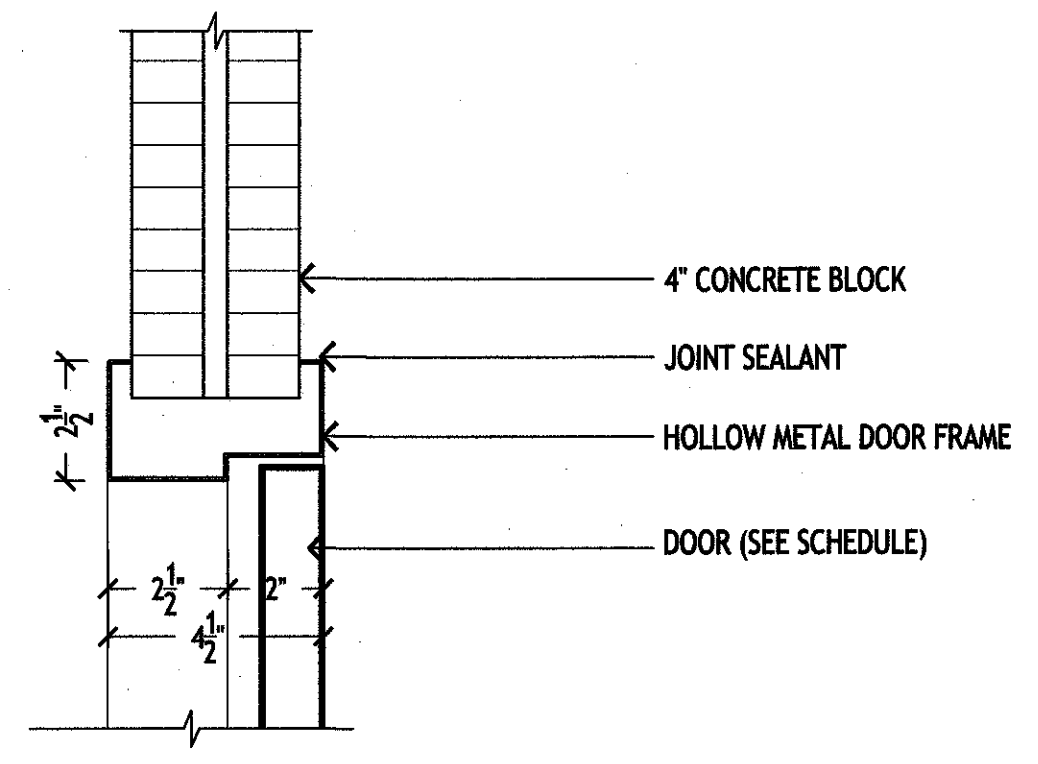
J-5 4\"/>



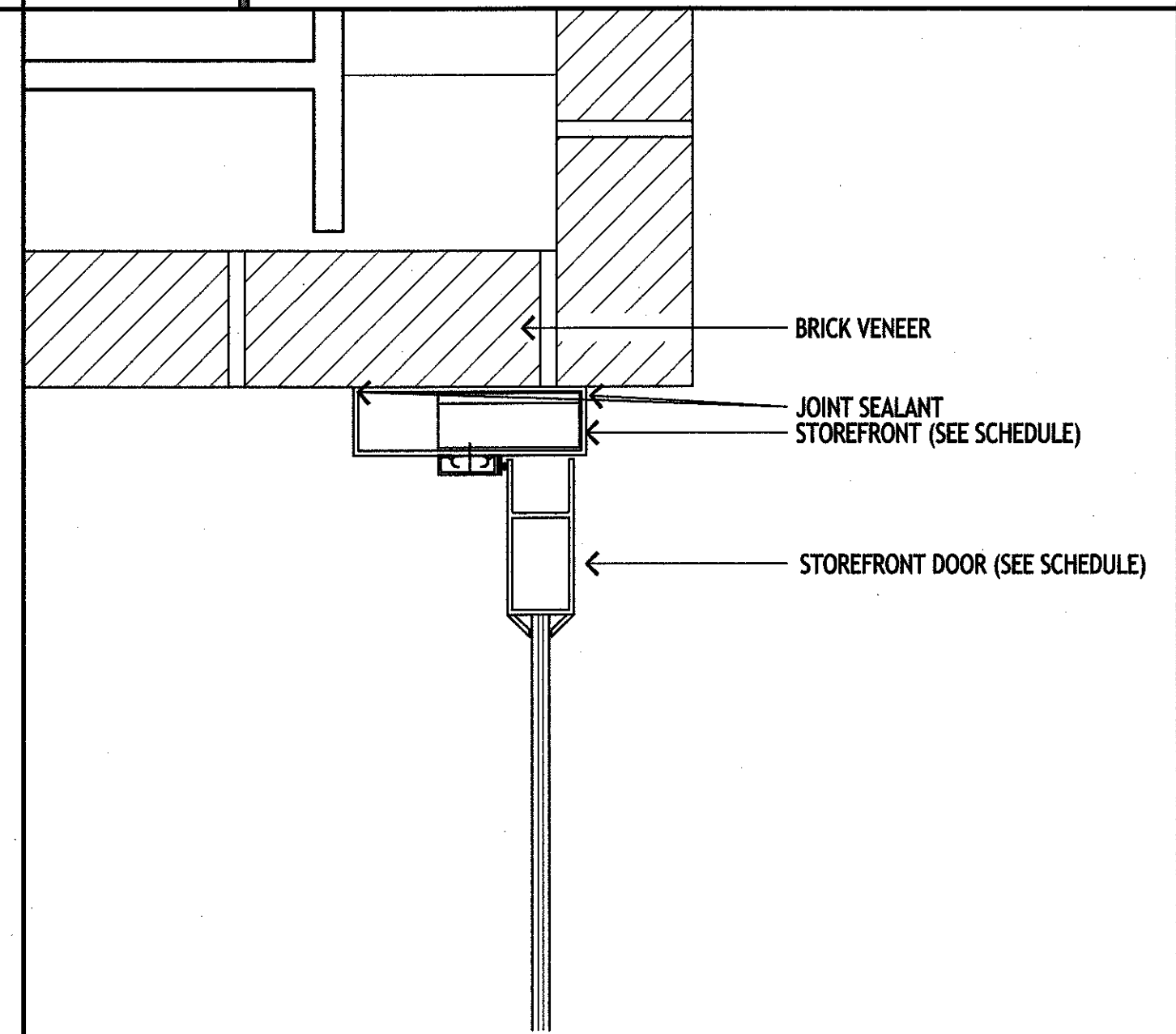
J-9 EXTERIOR STOREFRONT HEAD DETAIL



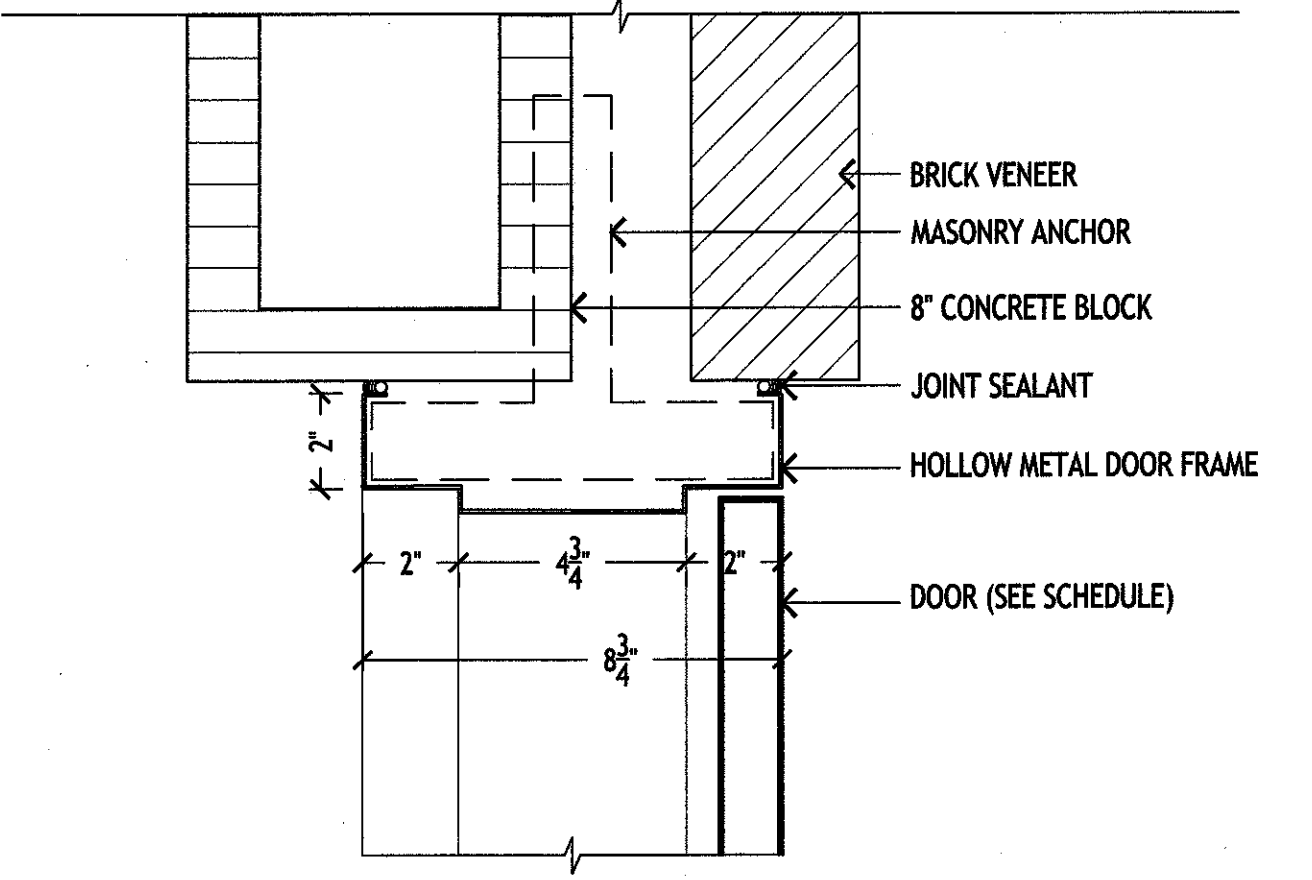
J-13 EXT. HOLLOW METAL HEAD DETAIL



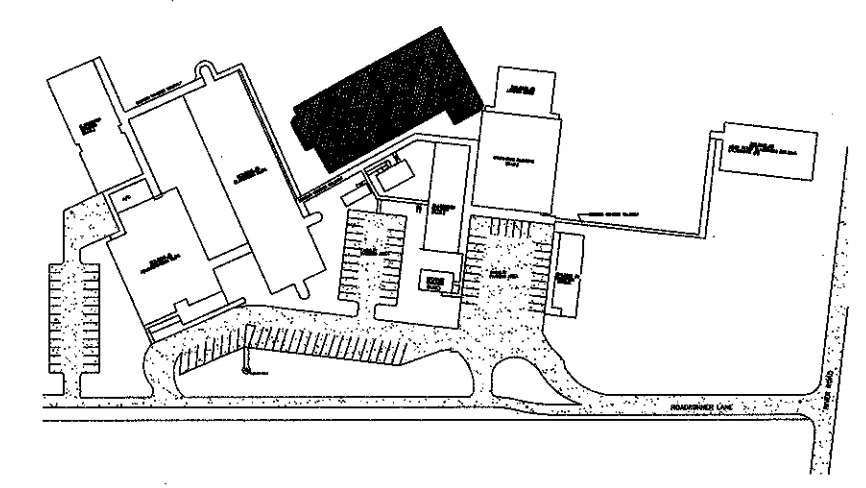
E-5 4\"/>



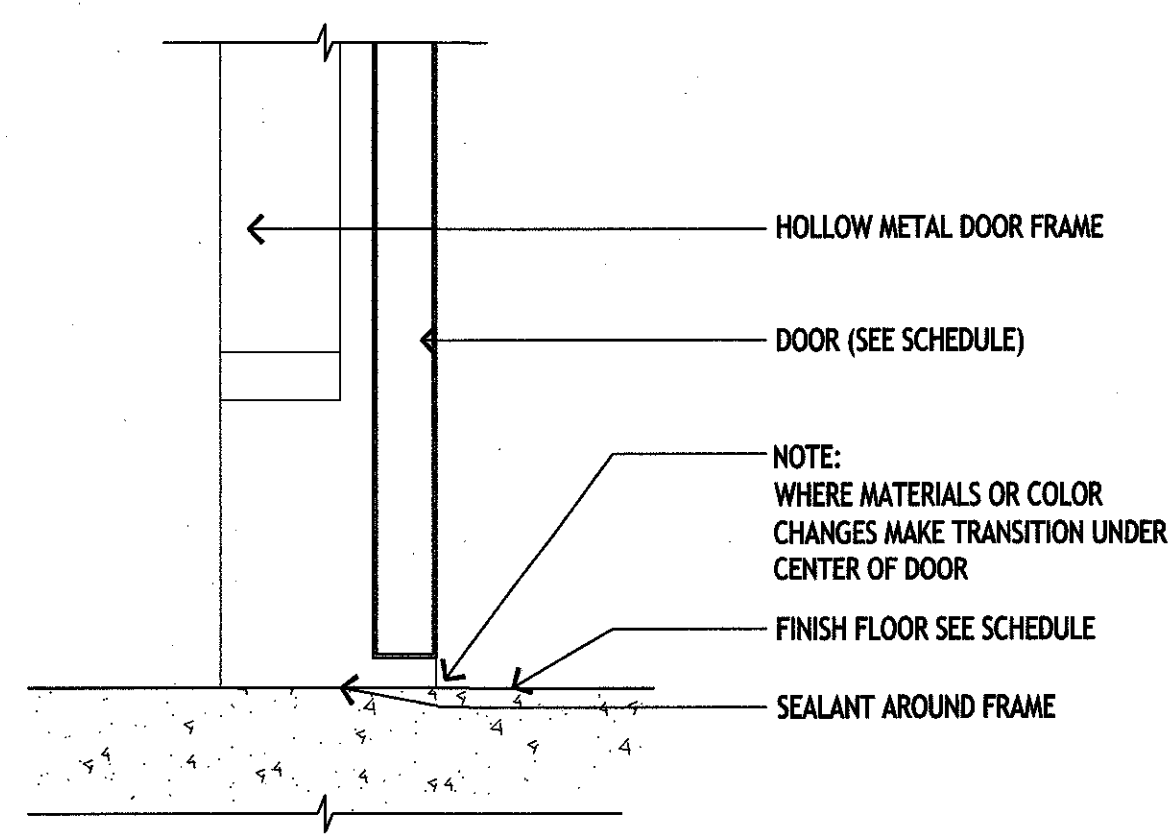
E-9 EXTERIOR STOREFRONT JAMB DETAIL



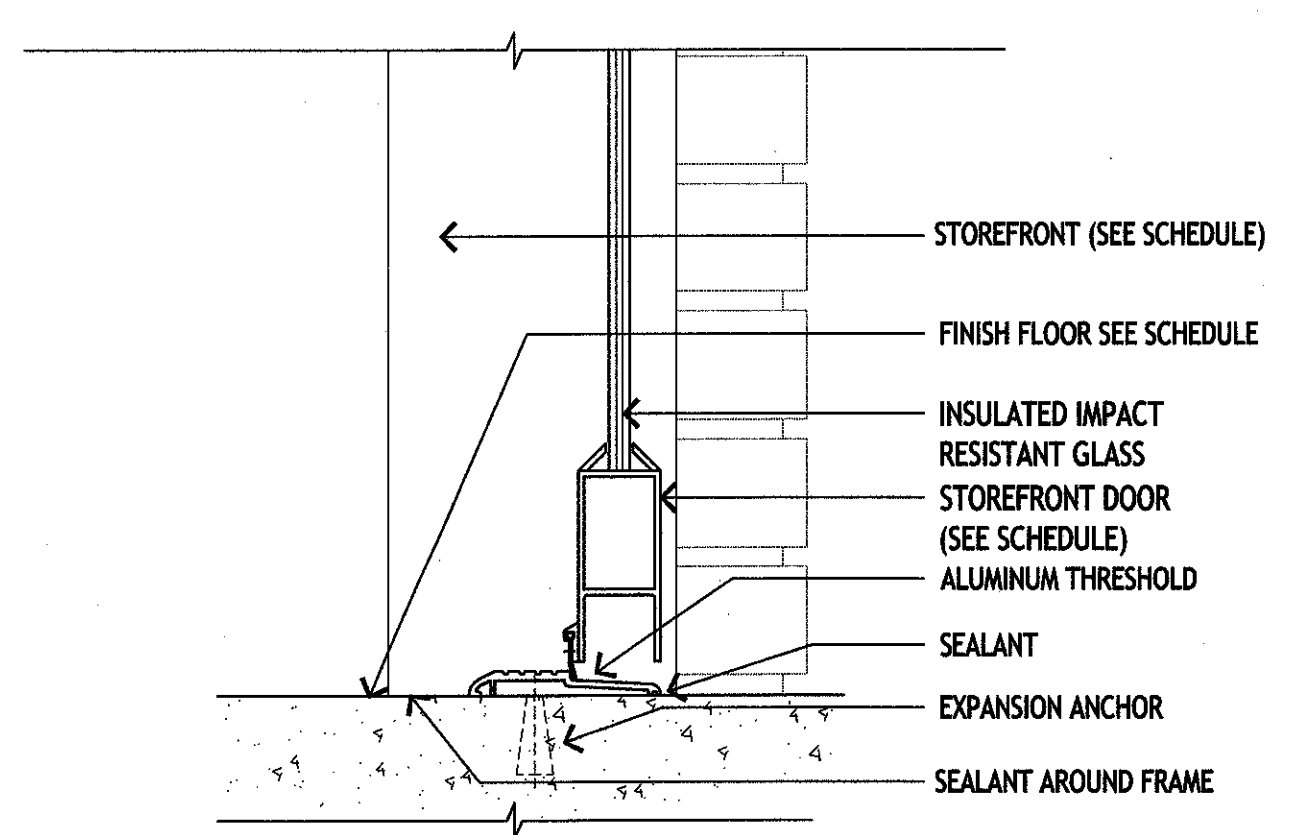
E-13 EXT. HOLLOW METAL DOOR JAMB



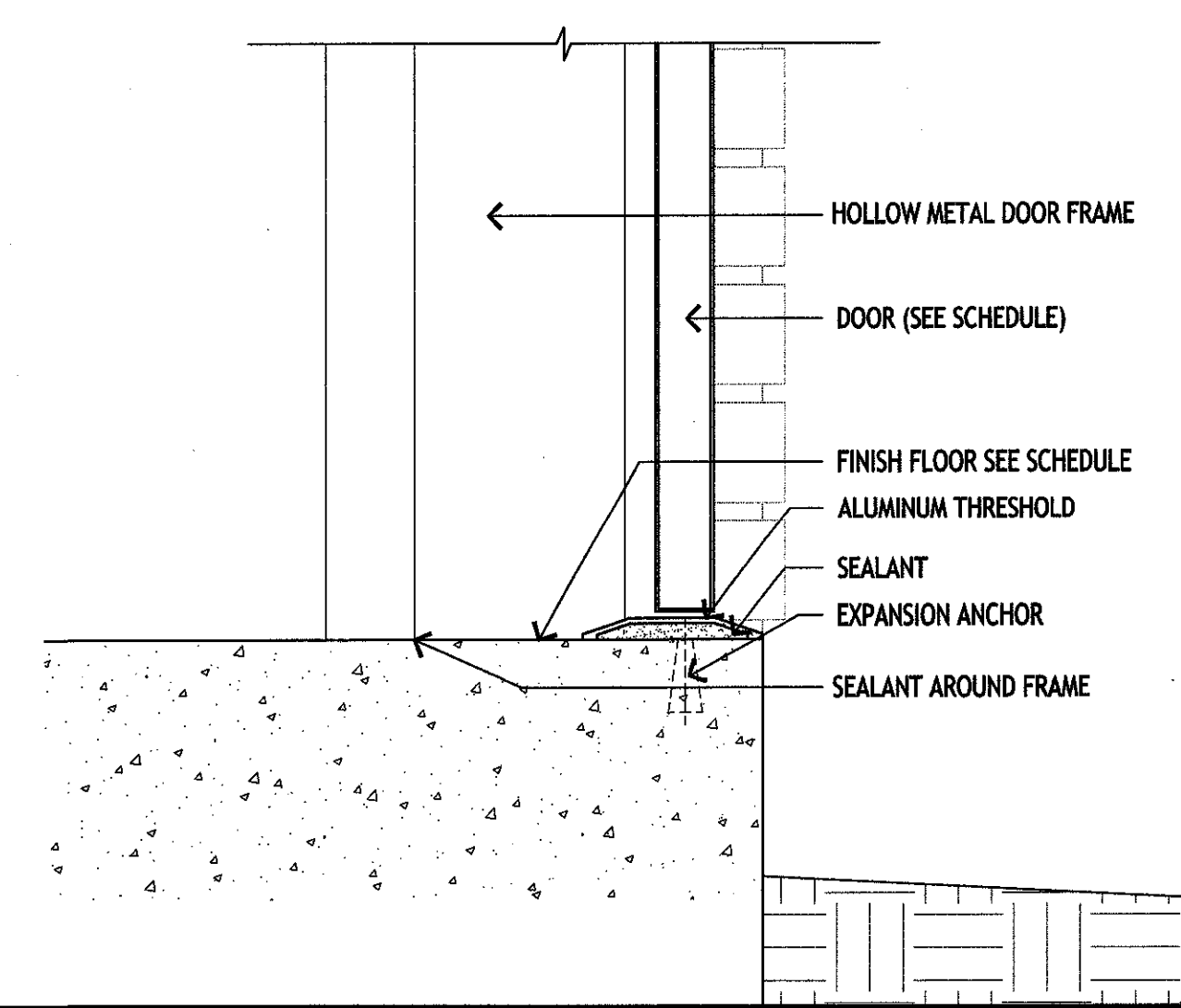
KEY PLAN



A-5 INT. HOLLOW METAL DOOR DETAIL



A-9 EXTERIOR STOREFRONT SILL DETAIL



A-13 EXT. HOLLOW METAL DOOR SILL

MURRAY ARCHITECTS
 131 Armond Center Court
 Destrehan, LA 70047
 Tel: (883) 725-0182

no.	revisions	date
1		
2		
3		
4		
5		
6		

HARRY HURST MIDDLE SCHOOL WING ADDITION
 170 Roadrunner Lane, Destrehan, Louisiana 70047
 DOOR AND WINDOW DETAILS

MICHAEL TABB
 REG. NO. 0669
 ARCHITECT

MURRAY ARCHITECTS
 project number 1007
 date 6.14.2010
 phase CD

drawing number **A.7.2**

COPYRIGHT © 2010 MURRAY ARCHITECTS. ALL RIGHTS RESERVED. THIS DOCUMENT IS THE PROPERTY OF MURRAY ARCHITECTS AND IS NOT TO BE REPRODUCED OR TRANSMITTED IN ANY FORM OR BY ANY MEANS, ELECTRONIC OR MECHANICAL, INCLUDING PHOTOCOPYING, RECORDING, OR BY ANY INFORMATION STORAGE AND RETRIEVAL SYSTEM, WITHOUT THE WRITTEN PERMISSION OF MURRAY ARCHITECTS.