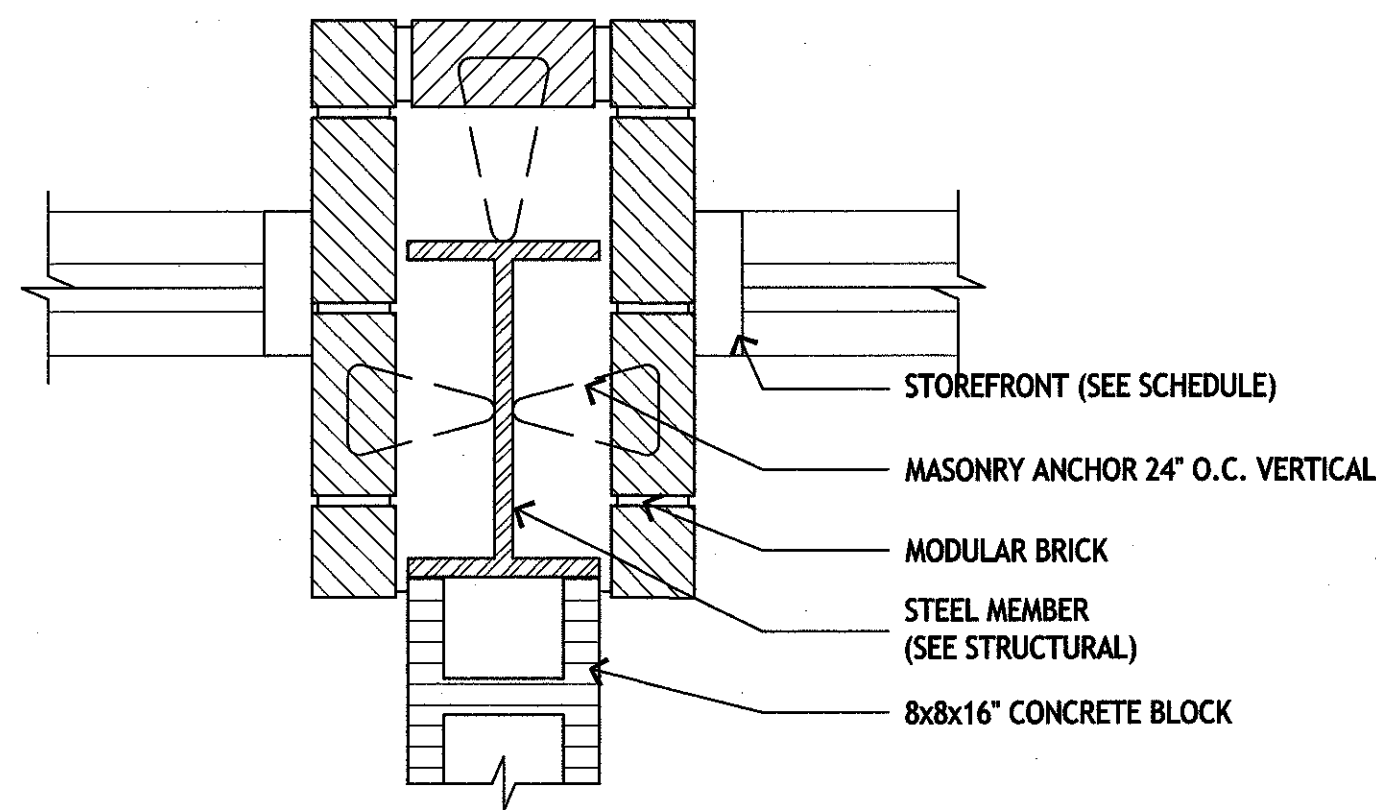


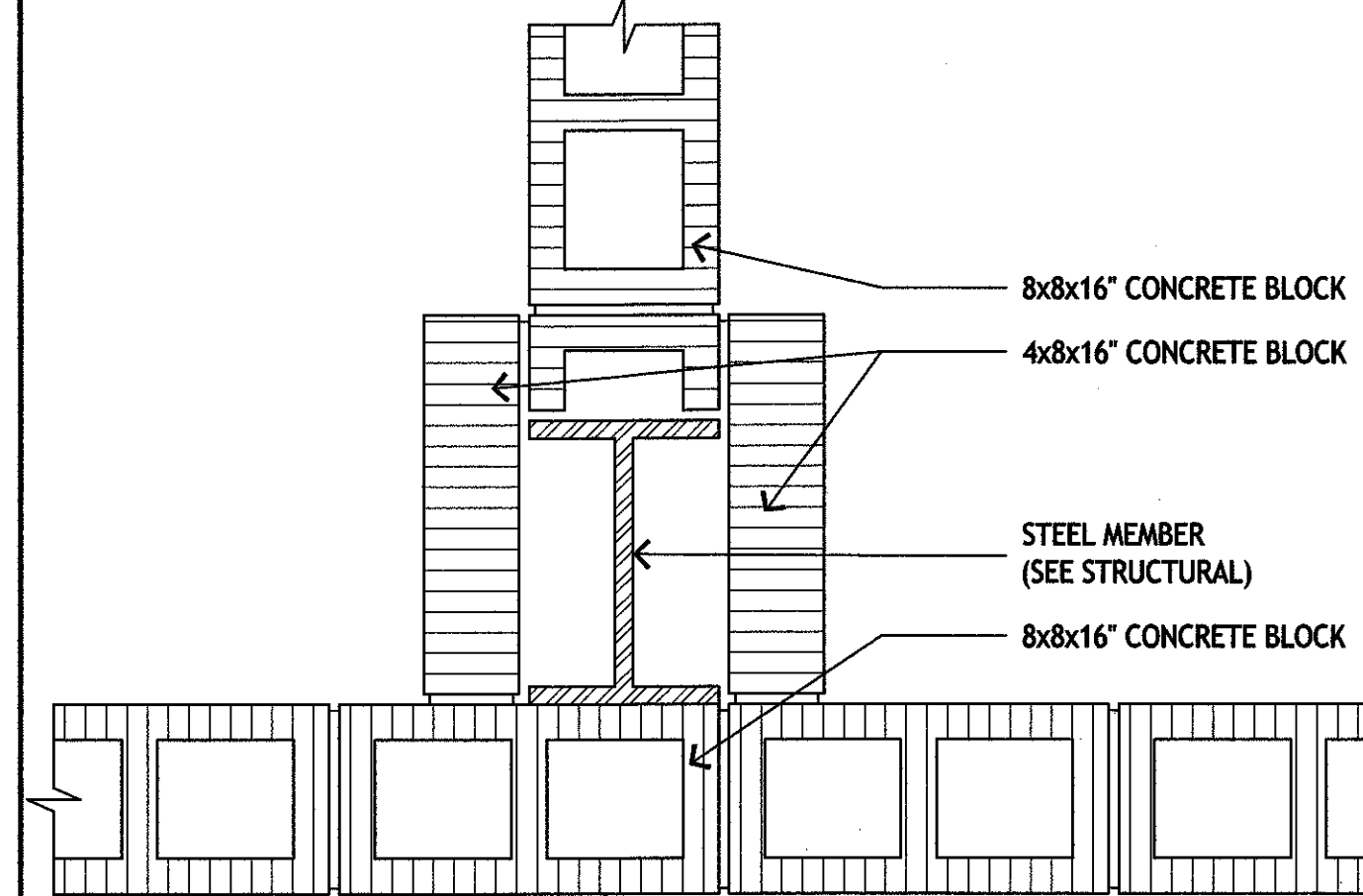
J-1 INTERIOR COLUMN DETAIL

1-1/2"=1'-0"



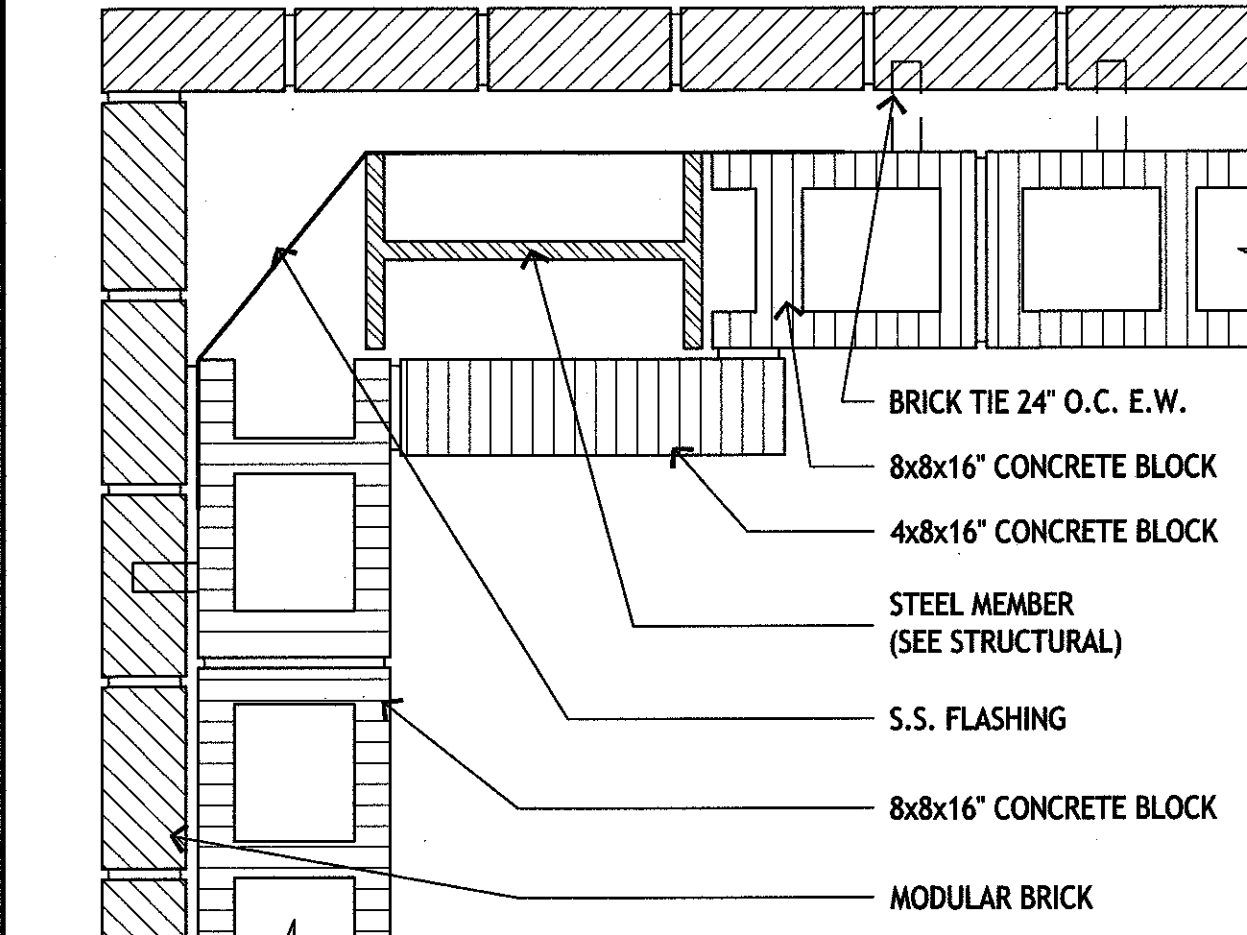
J-5 EXTERIOR COLUMN DETAIL

1-1/2"=1'-0"



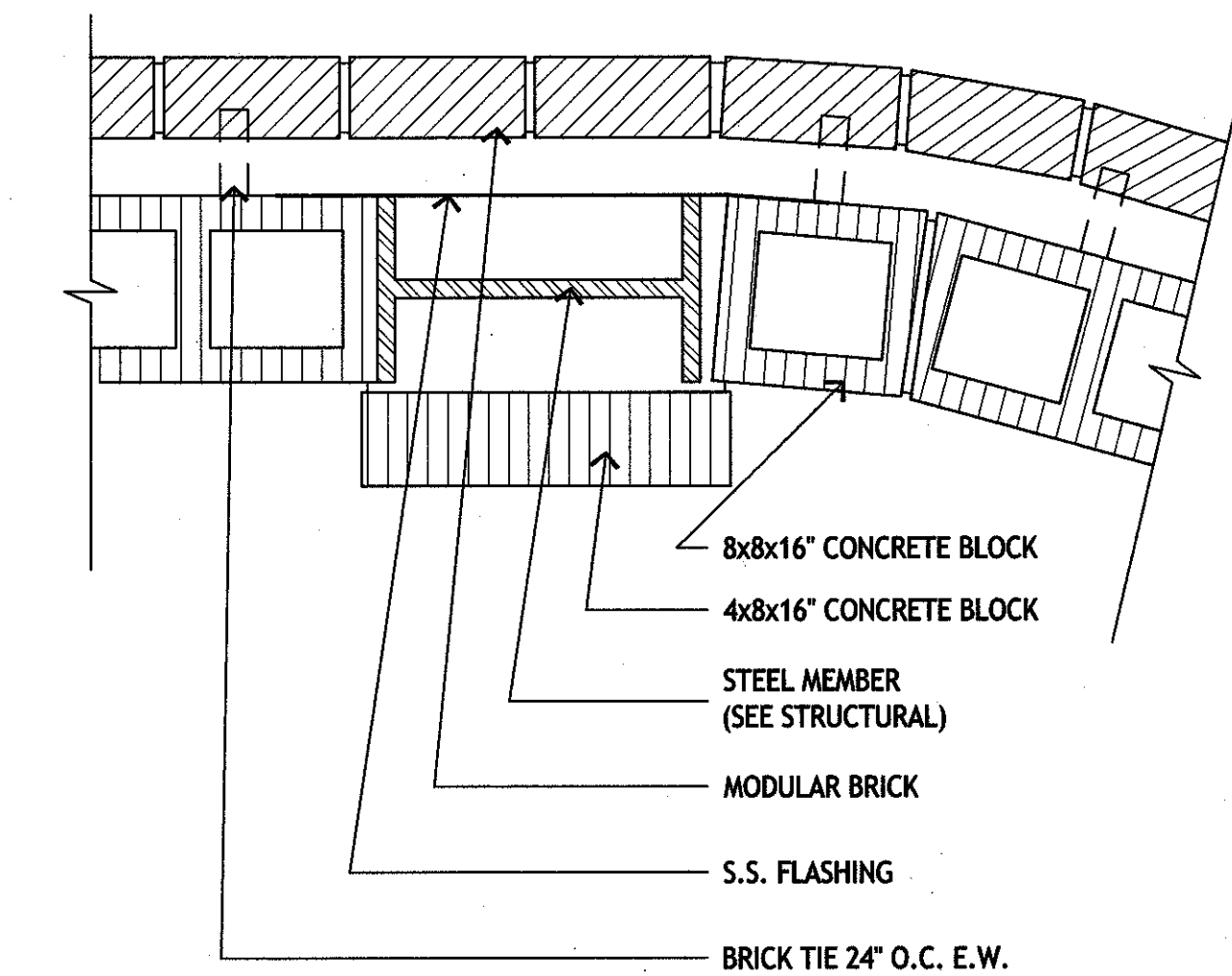
J-9 INTERIOR COLUMN DETAIL

1-1/2"=1'-0"



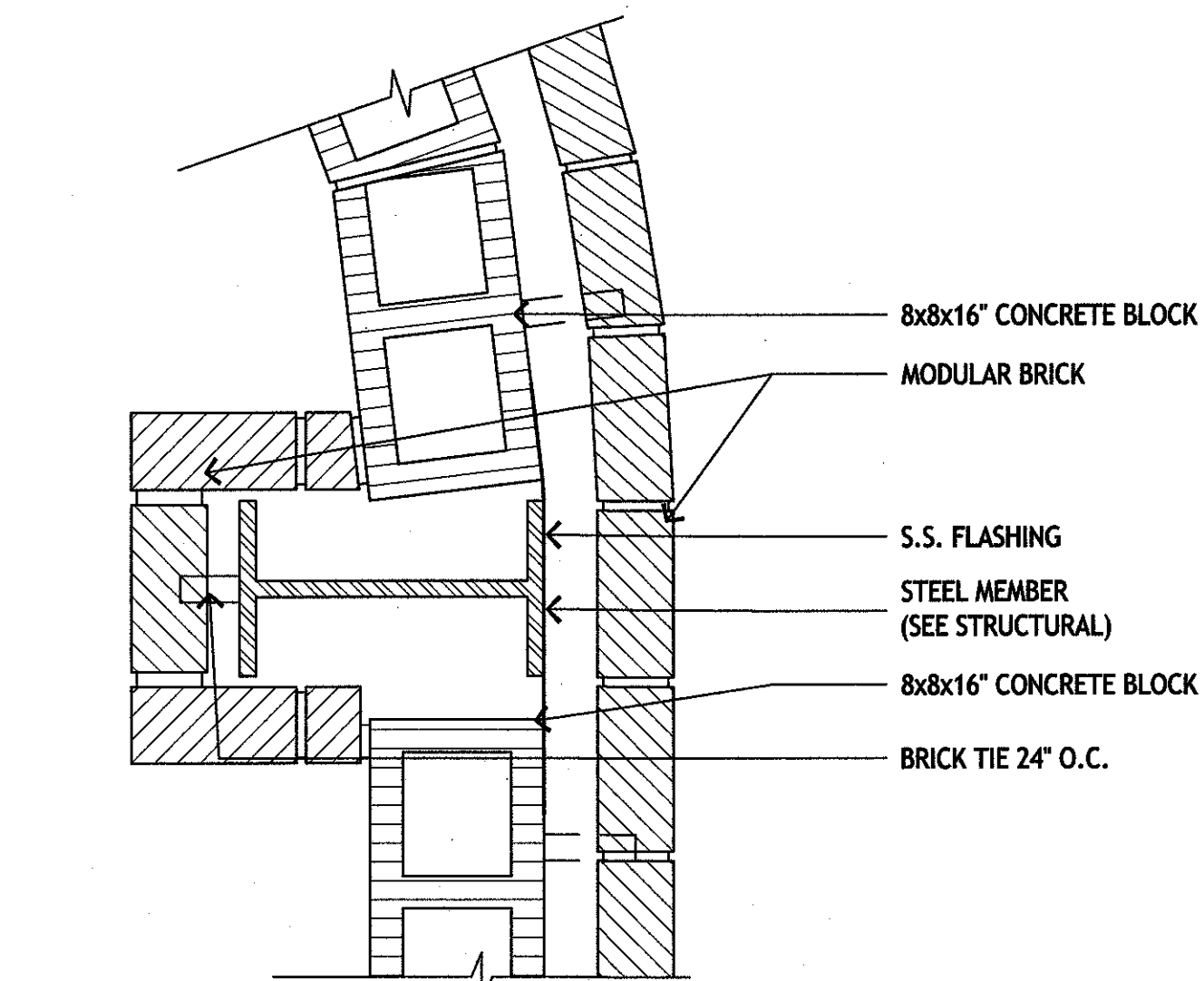
J-13 EXTERIOR COLUMN DETAIL

1-1/2"=1'-0"



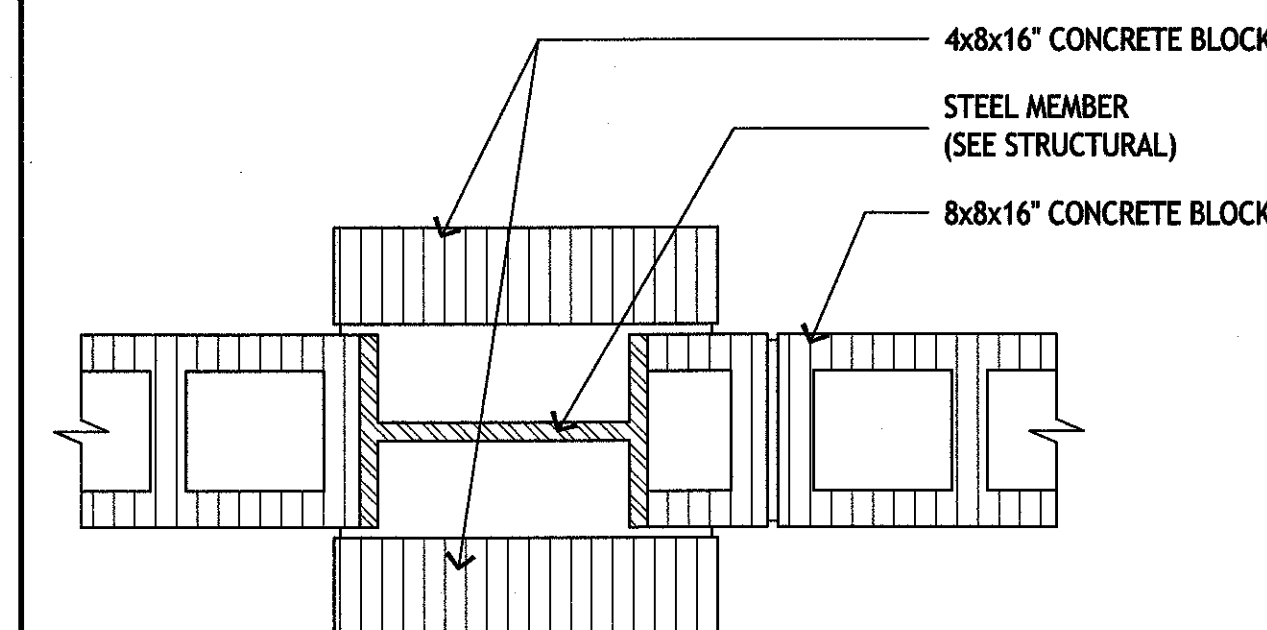
E-1 EXTERIOR COLUMN DETAIL

1-1/2"=1'-0"



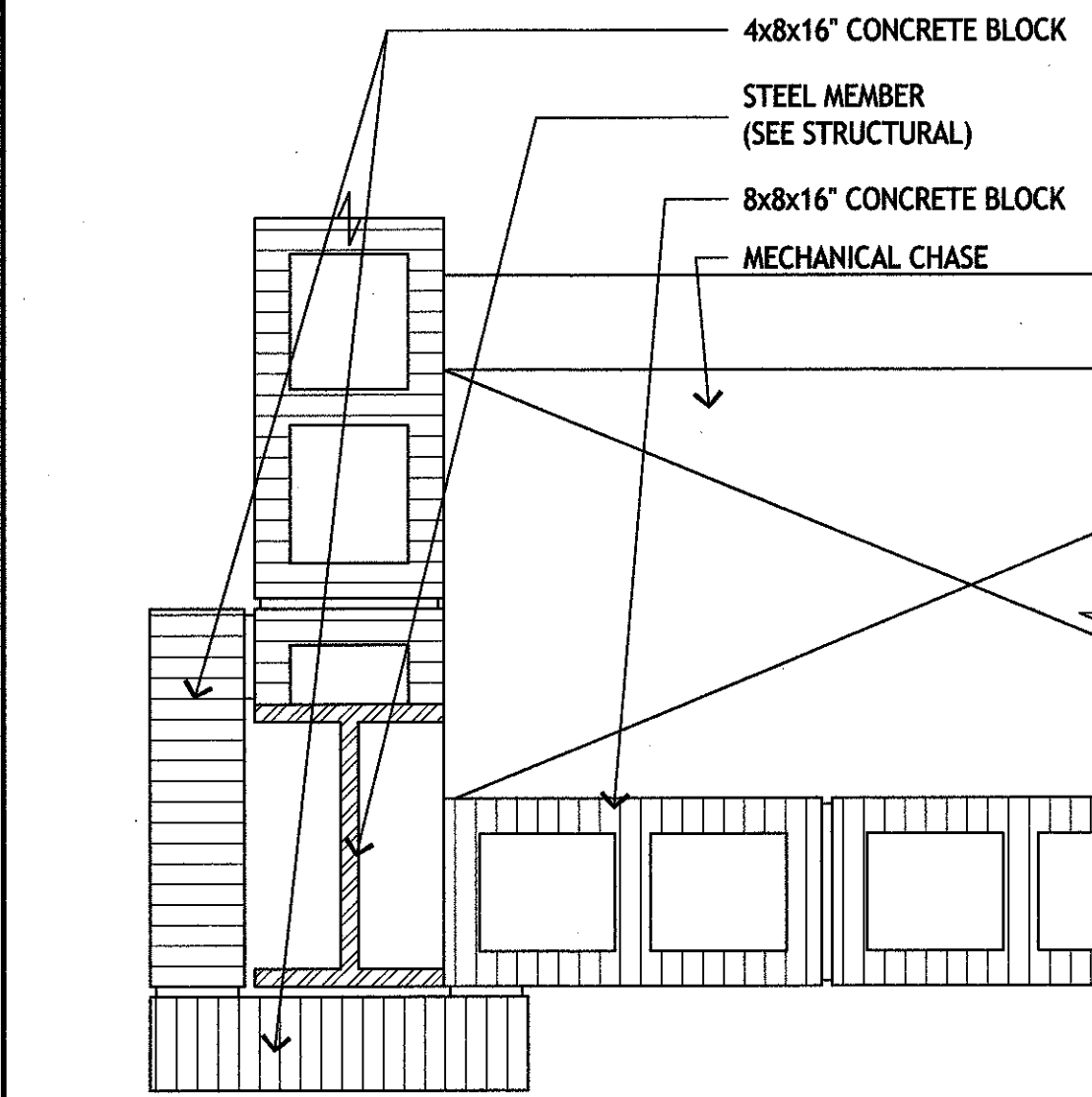
E-5 EXTERIOR COLUMN DETAIL

1-1/2"=1'-0"



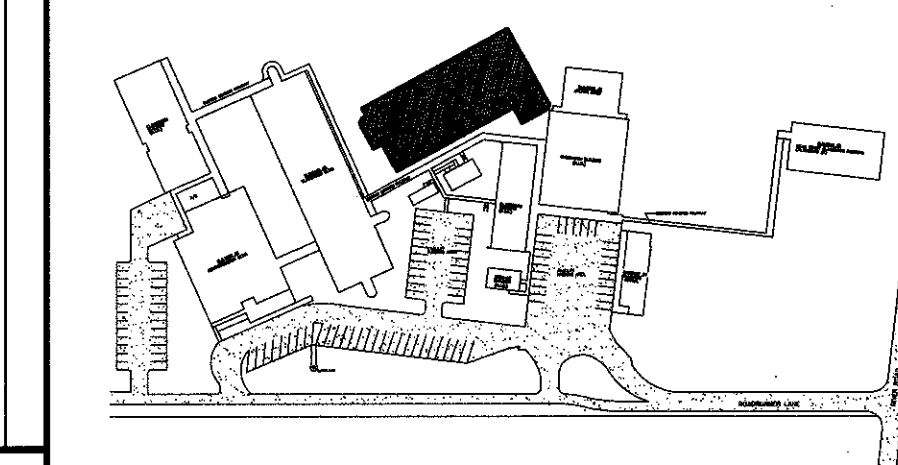
E-9 INTERIOR COLUMN DETAIL

1-1/2"=1'-0"

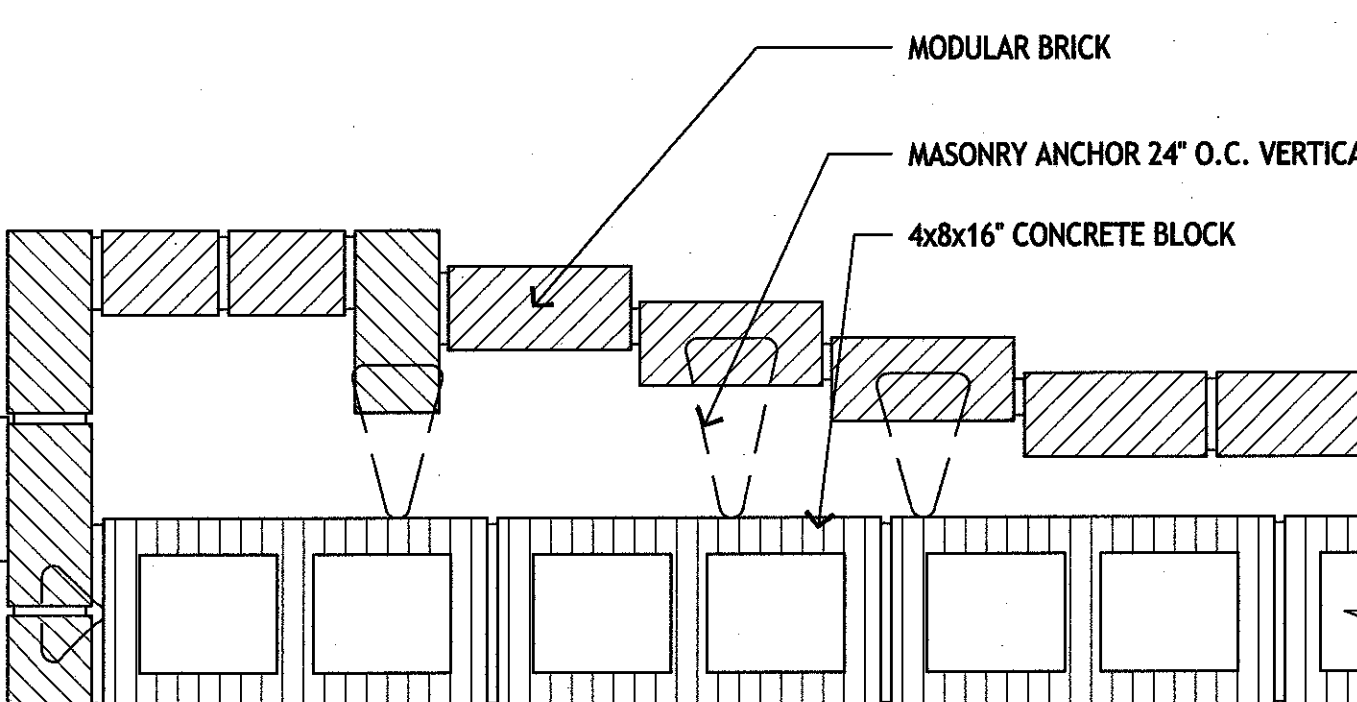


E-13 INTERIOR COLUMN DETAIL

1-1/2"=1'-0"

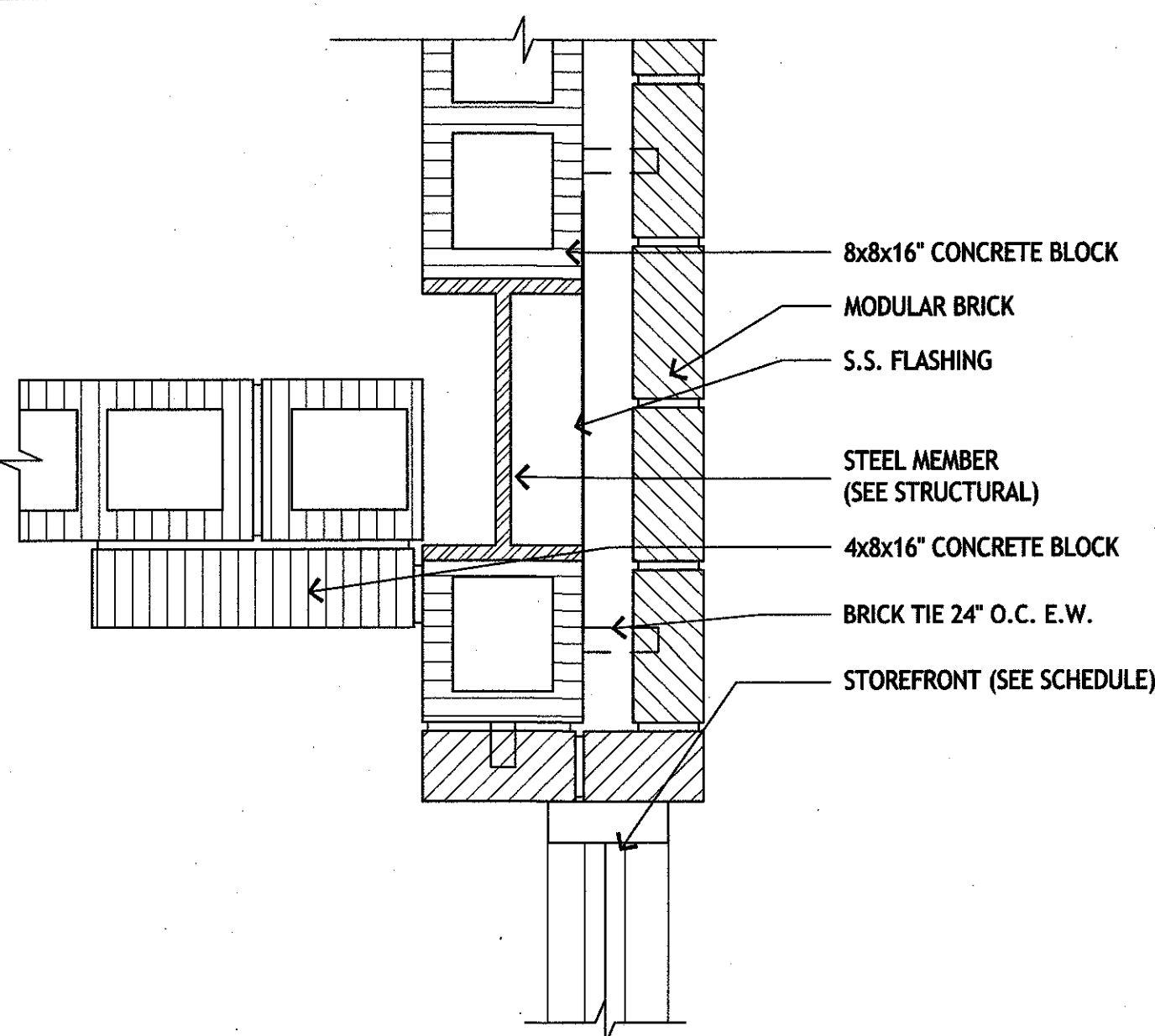


KEY PLAN



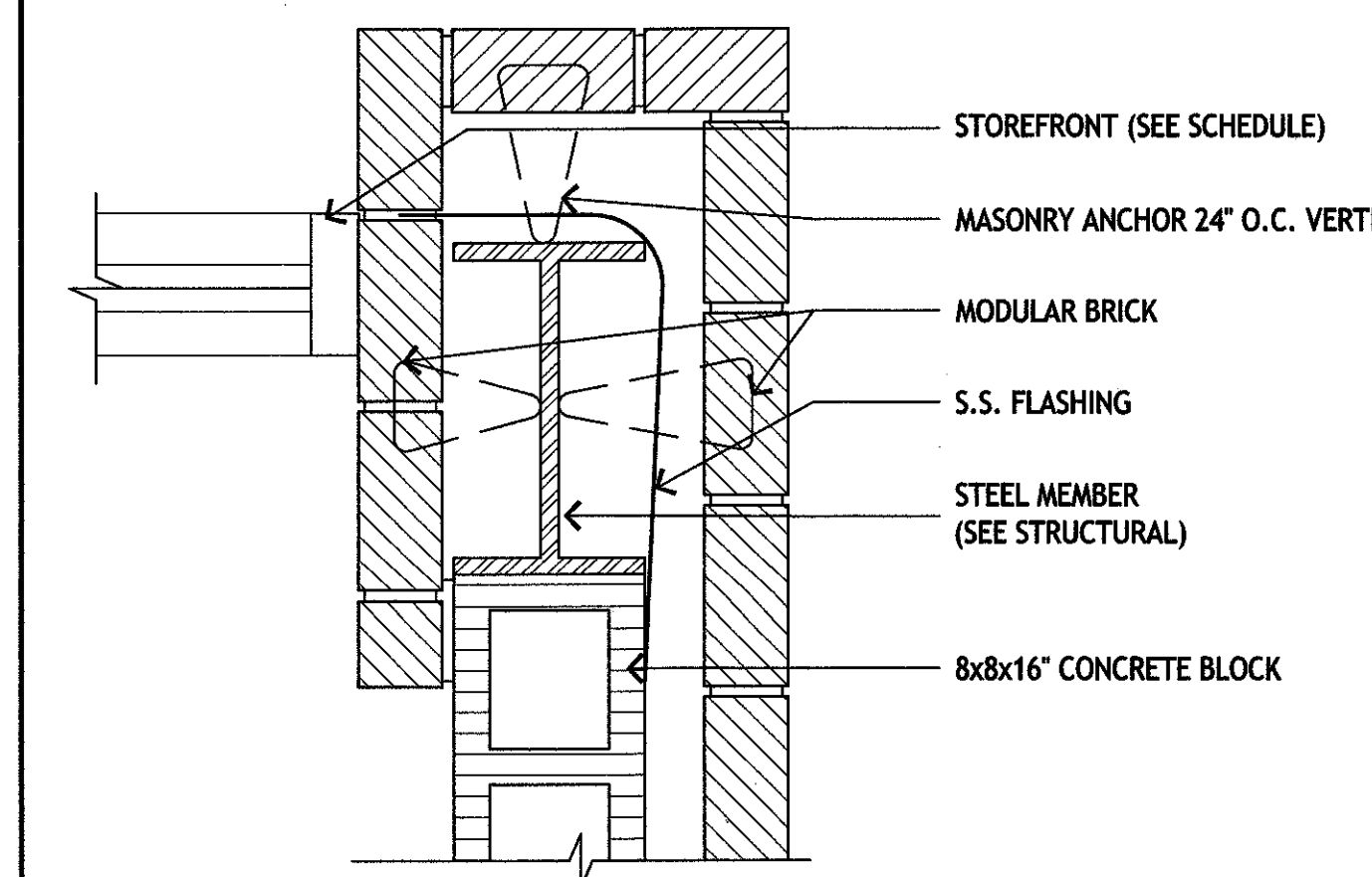
A-1 BRICK VENEER DETAIL

1-1/2"=1'-0"



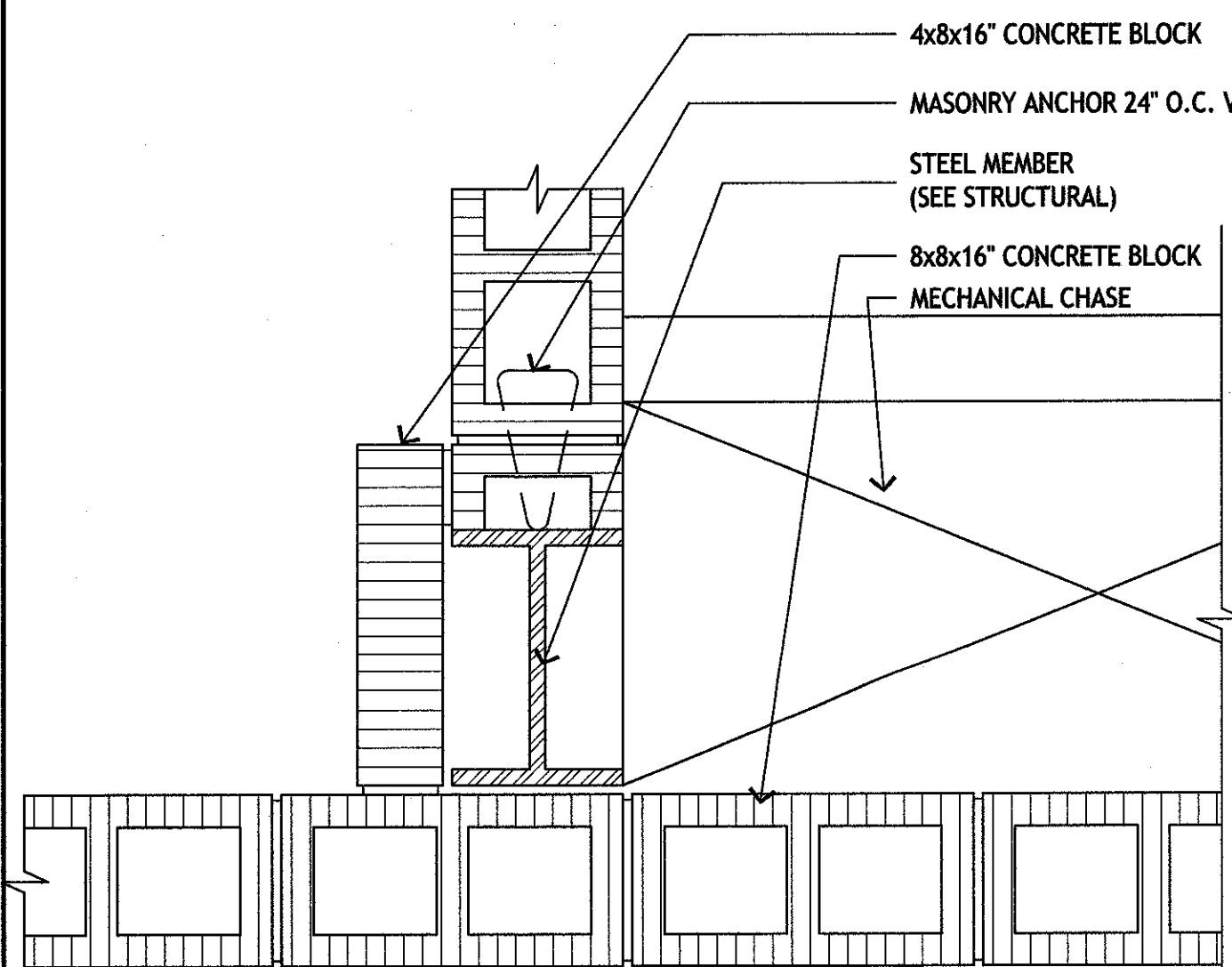
A-5 EXTERIOR COLUMN DETAIL

1-1/2"=1'-0"



A-9 EXTERIOR COLUMN DETAIL

1-1/2"=1'-0"



A-13 INTERIOR COLUMN DETAIL

1-1/2"=1'-0"



no.	revisions	date
1		
2		
3		
4		
5		
6		

**HARRY HURST MIDDLE SCHOOL WING ADDITION**  
170 Roadrunner Lane, Destrehan, Louisiana 70047

CONSTRUCTION DETAILS

MICHAEL TASS REG. NO. 8850  
JURRAY ARCHITECTS  
drawing number  
project number 1007  
date 6.14.2010  
phase CD

**A.7.3**

THESE DOCUMENTS ARE PROTECTED BY UNITED STATES COPYRIGHT LAW. THEY HAVE BEEN PREPARED SPECIFICALLY FOR THE PROJECT IDENTIFIED AND ARE NOT BE LOANED, REPRODUCED, COPIED, OR IN ANY MANNER REPRODUCED OR TRANSMITTED IN ANY FORM OR BY ANY MEANS, ELECTRONIC OR MECHANICAL, INCLUDING PHOTOCOPYING, RECORDING, OR BY ANY INFORMATION STORAGE AND RETRIEVAL SYSTEM, WITHOUT THE WRITTEN PERMISSION OF THE ARCHITECT. ALL RIGHTS ARE RESERVED TO MURRAY ARCHITECTS.