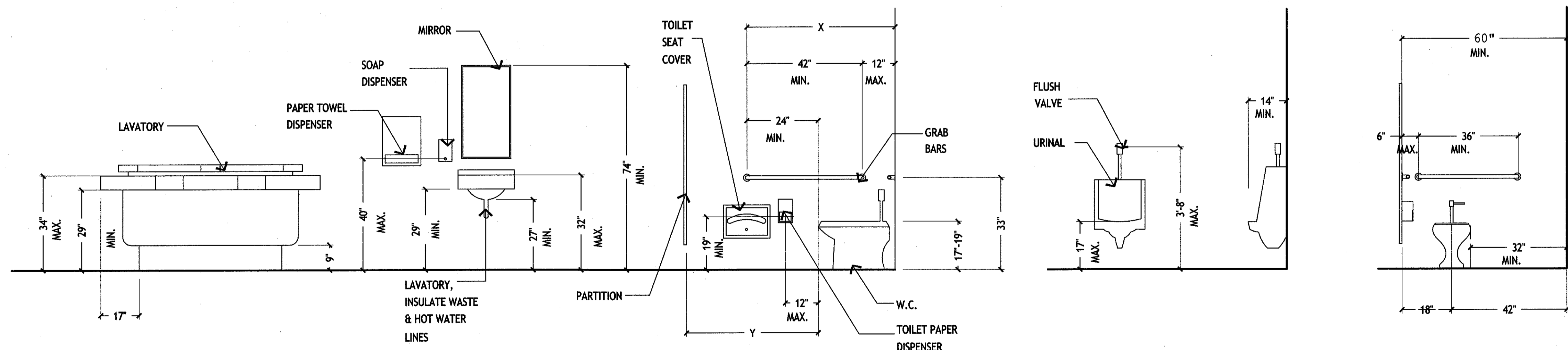
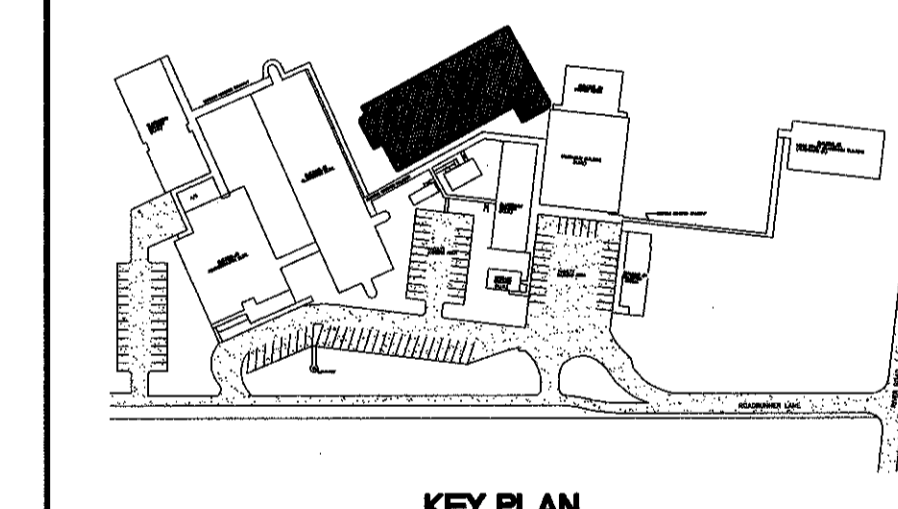


G-1 BEAM DETAIL 1-1/2"=1'-0"
G-5 EXTERIOR COLUMN DETAIL 1-1/2"=1'-0"
E-9 STAIR HANDRAIL DETAIL 1"=1'-0"
E-13 STAIR DETAIL 1"=1'-0"



NOTE:
 SEE RECOMMENDED DIMENSION FOR ACCESSIBILITY IN TOILET FACILITIES FOR CHILDREN.
FOR CHILDREN UNDER 12 YEARS OLD:
 * GRAB BAR HEIGHT IS 27"
 ** TOP OF SEAT IS 15"

NOTE:
 X=52" MINIMUM WHEN WATER CLOSETS ARE IN STALLS
 X=54" MINIMUM WHEN WATER CLOSETS ARE NOT IN STALLS (I.E. SINGLE ACCOMMODATION ROOMS OR OPEN TOILETING SITUATIONS)
 Y=48" MINIMUM WHEN DOOR OPENING IS AT FRONT OF STALL
 Y=60" MINIMUM WHEN DOOR OPENING IS AT SIDE OF STALL



m MURRAY ARCHITECTS
 131 Armond Center Court
 Metairie, LA 70001
 (504) 885-7100
 (504) 885-7101
 fax (504) 885-0182

no.	revisions	date
1		
2		
3		
4		
5		
6		

HARRY HURST MIDDLE SCHOOL WING ADDITION
 170 Roadrunner Lane, Destrehan, Louisiana 70047

CONSTRUCTION DETAILS

MICHAEL TABB REG. NO. 8959
 MURRAY ARCHITECTS
 project number 1007
 date 6.14.2010
 phase CD

drawing number **A.7.4**

THESE DOCUMENTS ARE PROTECTED BY UNITED STATES COPYRIGHT LAW. THEY HAVE BEEN PREPARED SPECIFICALLY FOR THE PROJECT IDENTIFIED AND ARE NOT BE LOANED, REPRODUCED, COPIED, OR USED IN ANY MANNER WITHOUT THE WRITTEN PERMISSION OF MURRAY ARCHITECTS. ALL RIGHTS ARE RESERVED TO MURRAY ARCHITECTS.