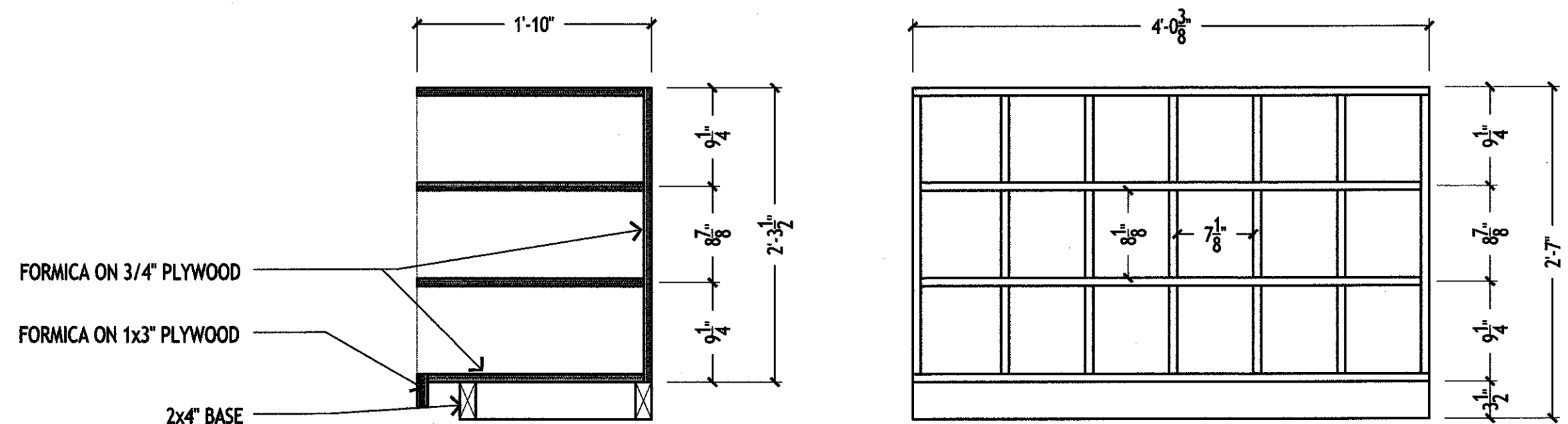


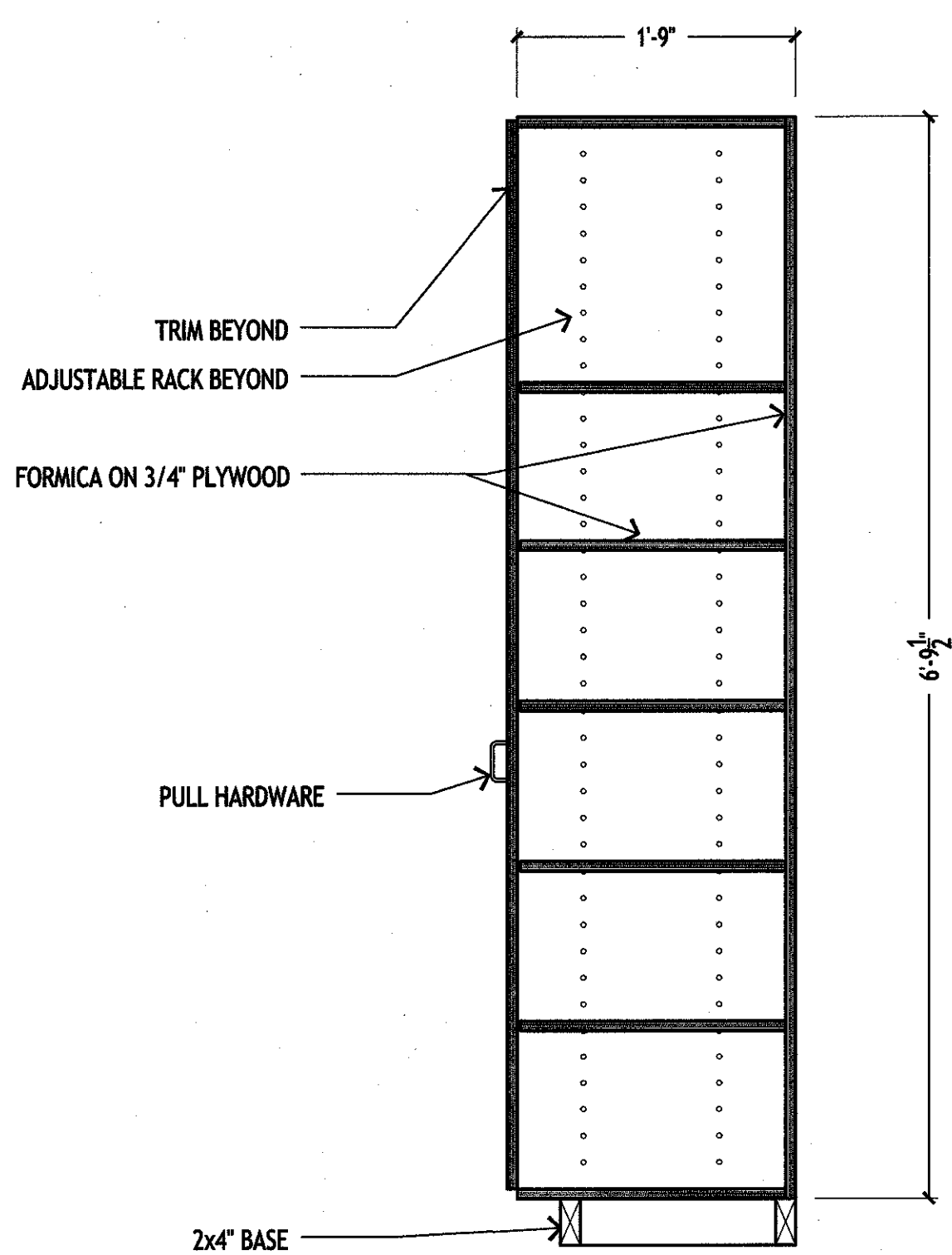
G-5 TYPICAL CABINET DETAIL

1"=1'-0"



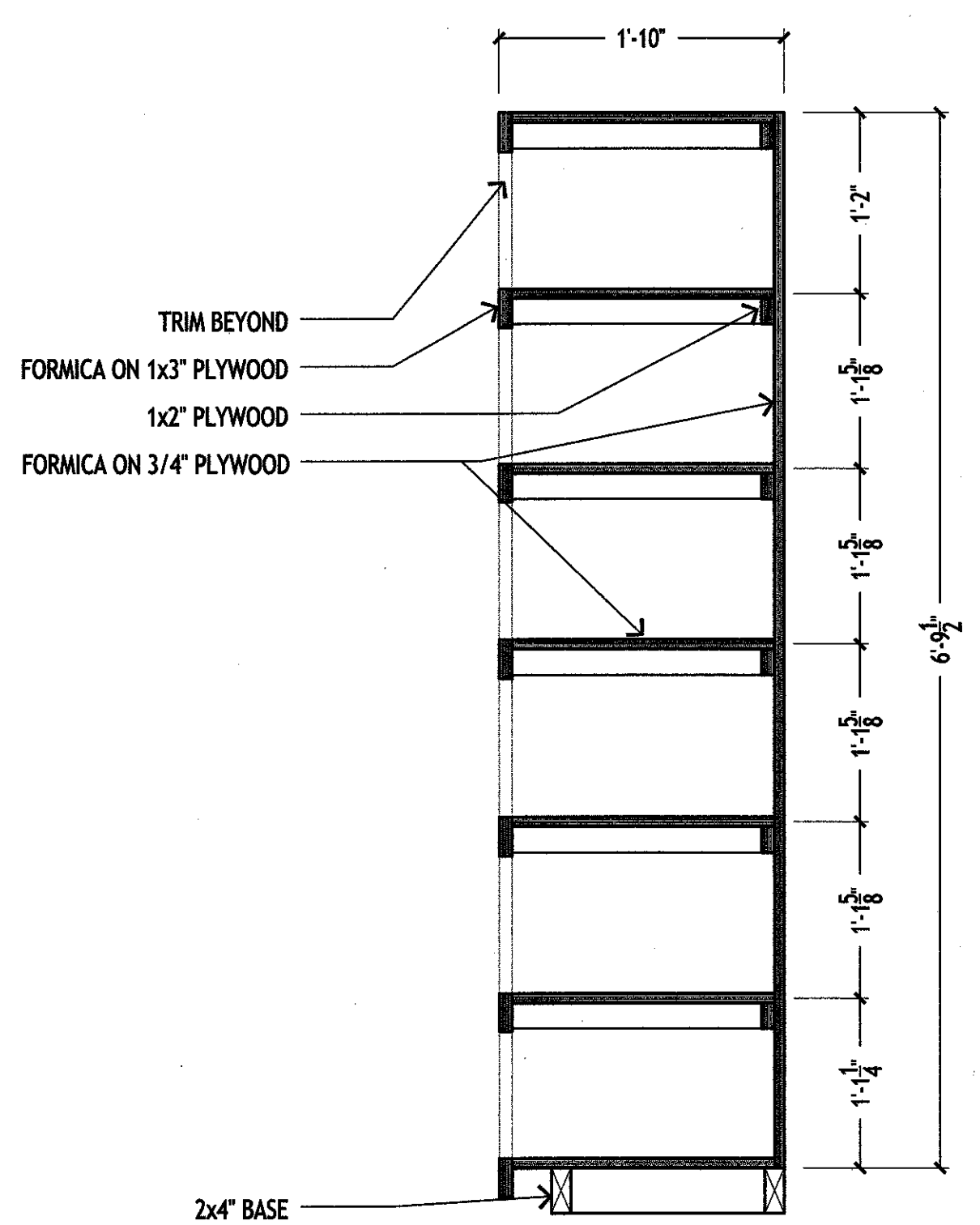
G-9 TYPICAL MILLWORK DETAIL

1"=1'-0"



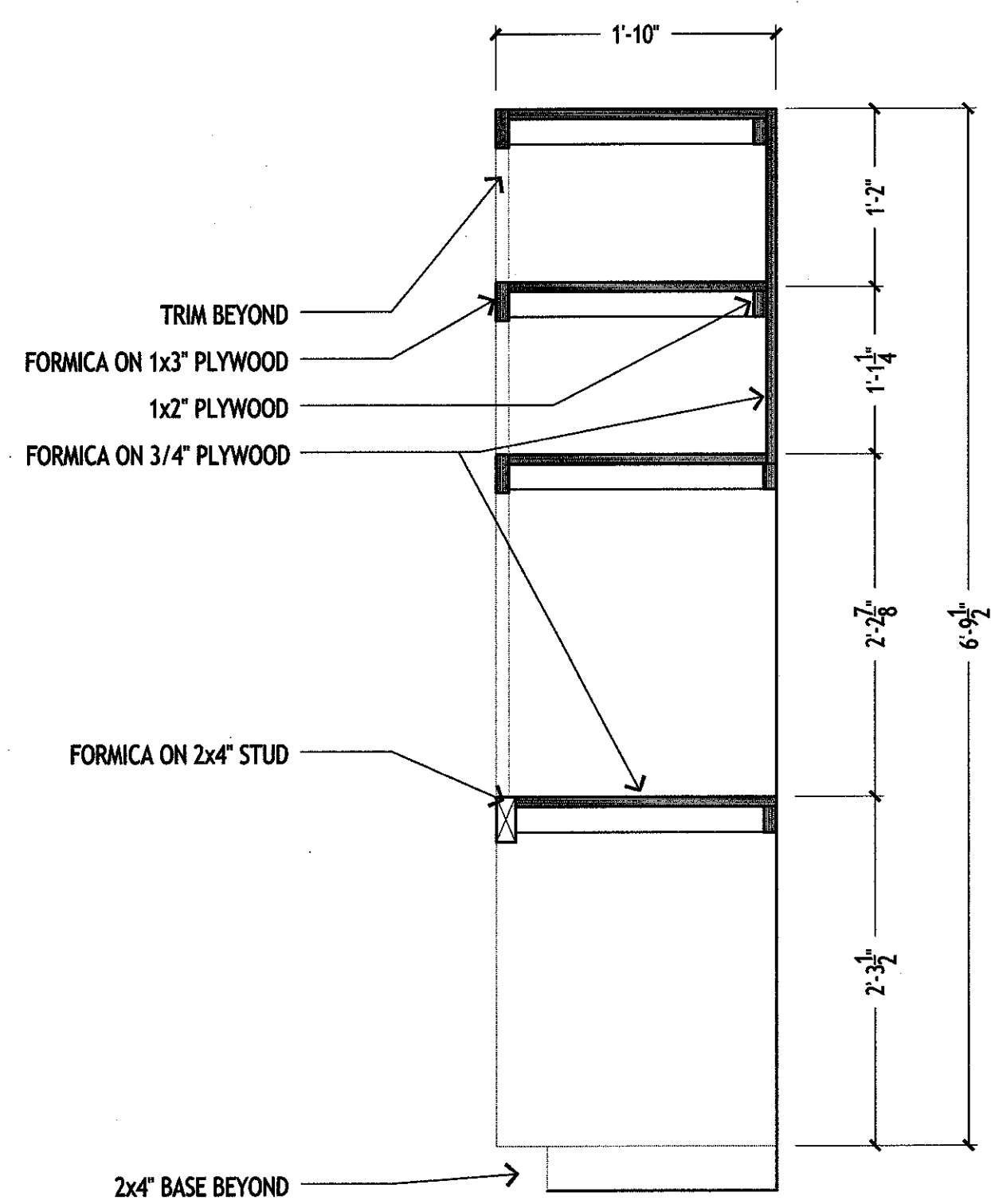
A-5 TYPICAL MILLWORK DETAIL

1"=1'-0"



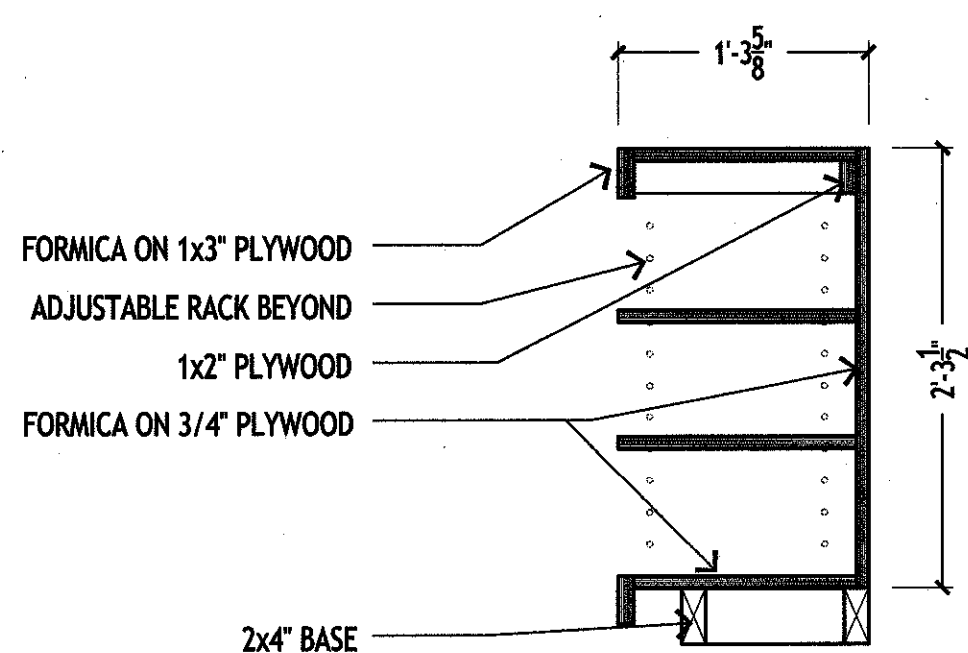
A-9 TYPICAL MILLWORK DETAL

1"=1'-0"



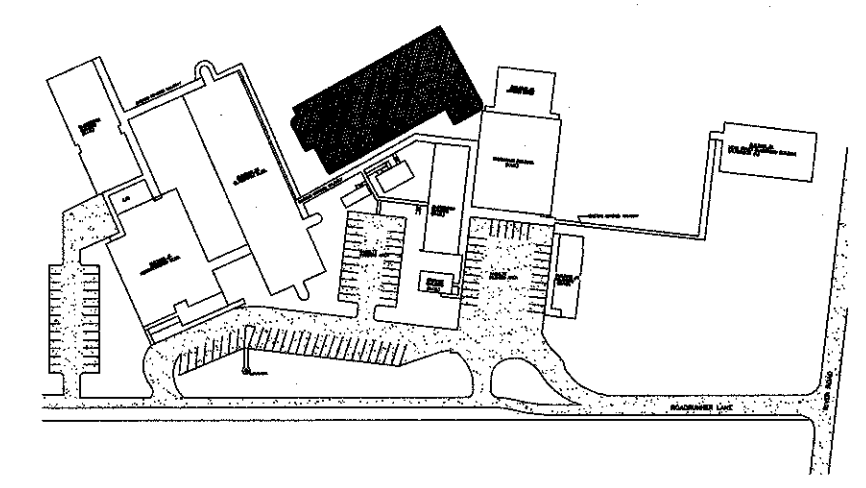
A-13 TYPICAL MILLWORK DETAIL

1"=1'-0"



A-1 TYPICAL MILLWORK DETAIL

1"=1'-0"



KEY PLAN

MURRAY ARCHITECTS
131 Grand Center Court
Destrehan, LA 70047
Tel: (504) 725-0282

no.	revisions	date
1		
2		
3		
4		
5		
6		

HARRY HURST MIDDLE SCHOOL WING ADDITION
170 Roadrunner Lane, Destrehan, Louisiana 70047

CONSTRUCTION DETAILS

drawing number
A.7.5

project number
1007

date
6.14.2010

phase
CD

THESE DOCUMENTS ARE PROTECTED BY UNITED STATES COPYRIGHT LAW. THEY HAVE BEEN PREPARED SPECIFICALLY FOR THE CLIENT AND ARE NOT TO BE REPRODUCED OR TRANSMITTED IN ANY FORM OR BY ANY MEANS, ELECTRONIC OR MECHANICAL, INCLUDING PHOTOCOPYING, RECORDING, OR BY ANY INFORMATION STORAGE AND RETRIEVAL SYSTEM, WITHOUT THE WRITTEN PERMISSION OF MURRAY ARCHITECTS. ALL RIGHTS ARE RESERVED TO MURRAY ARCHITECTS.