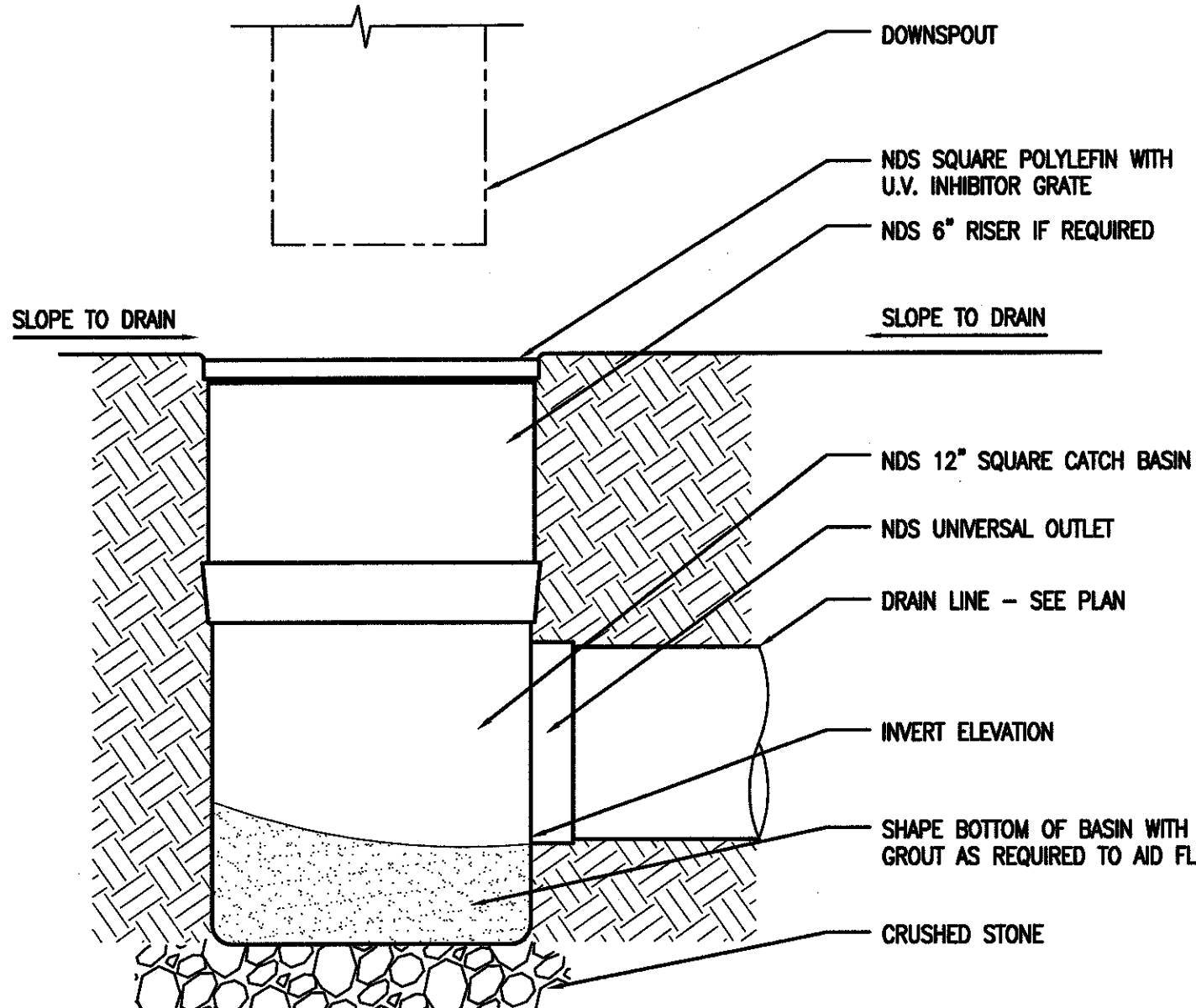
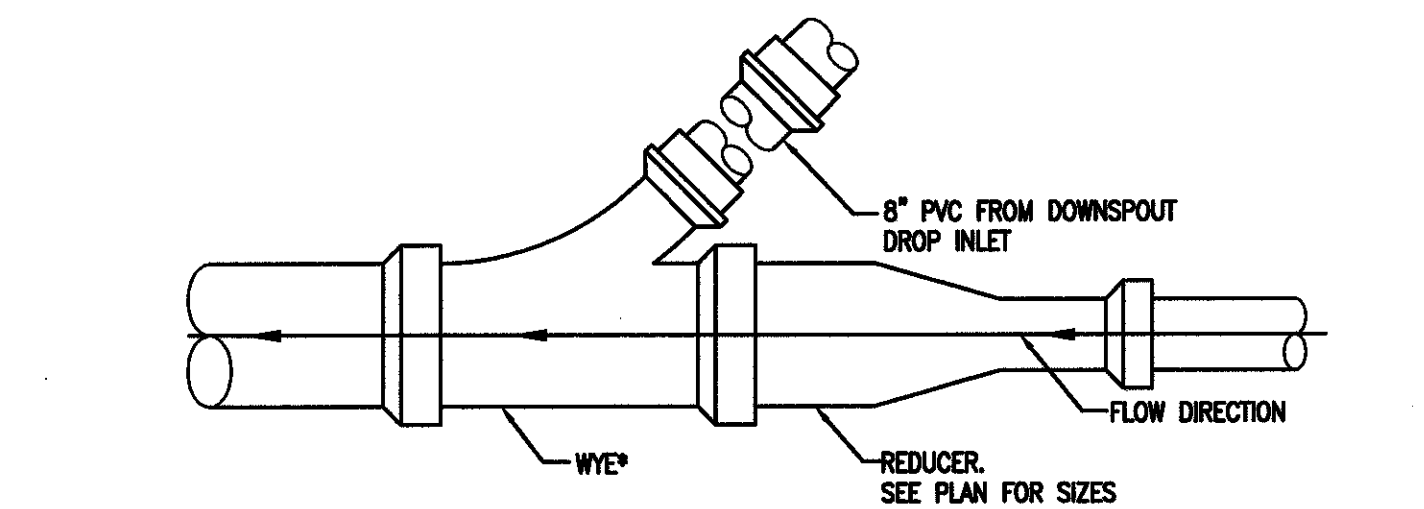


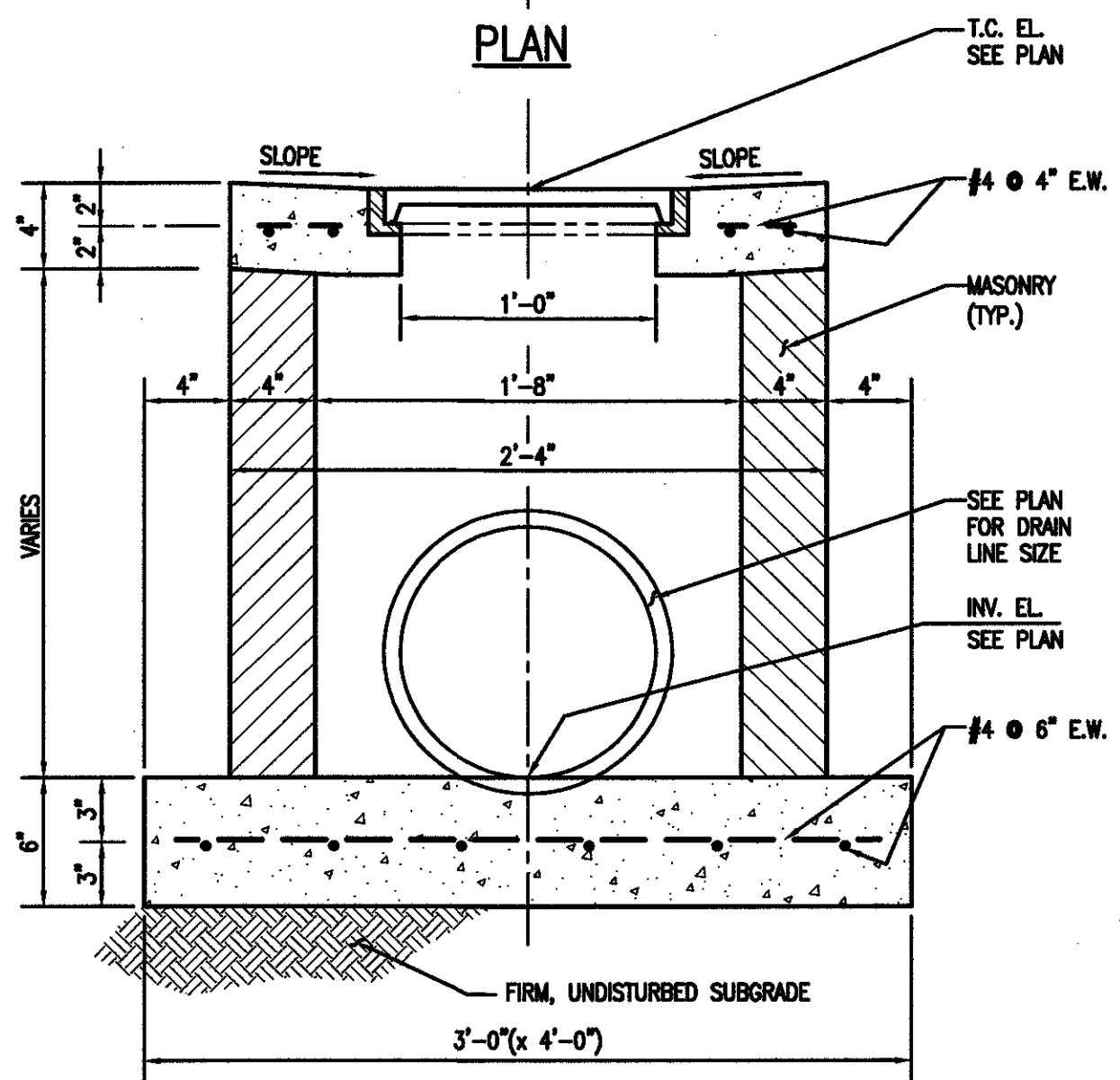
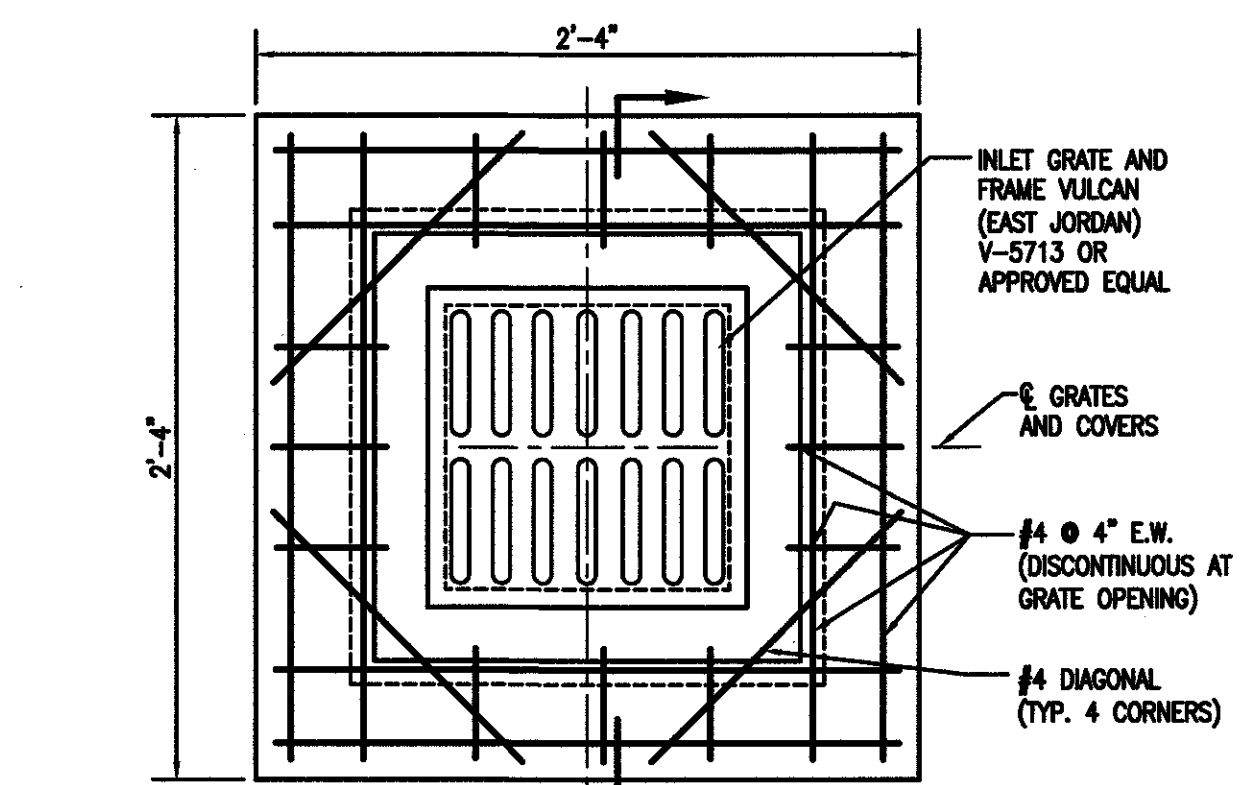
2 JUNCTION BOX DETAIL
C.1.2 1/2" = 1'-0"



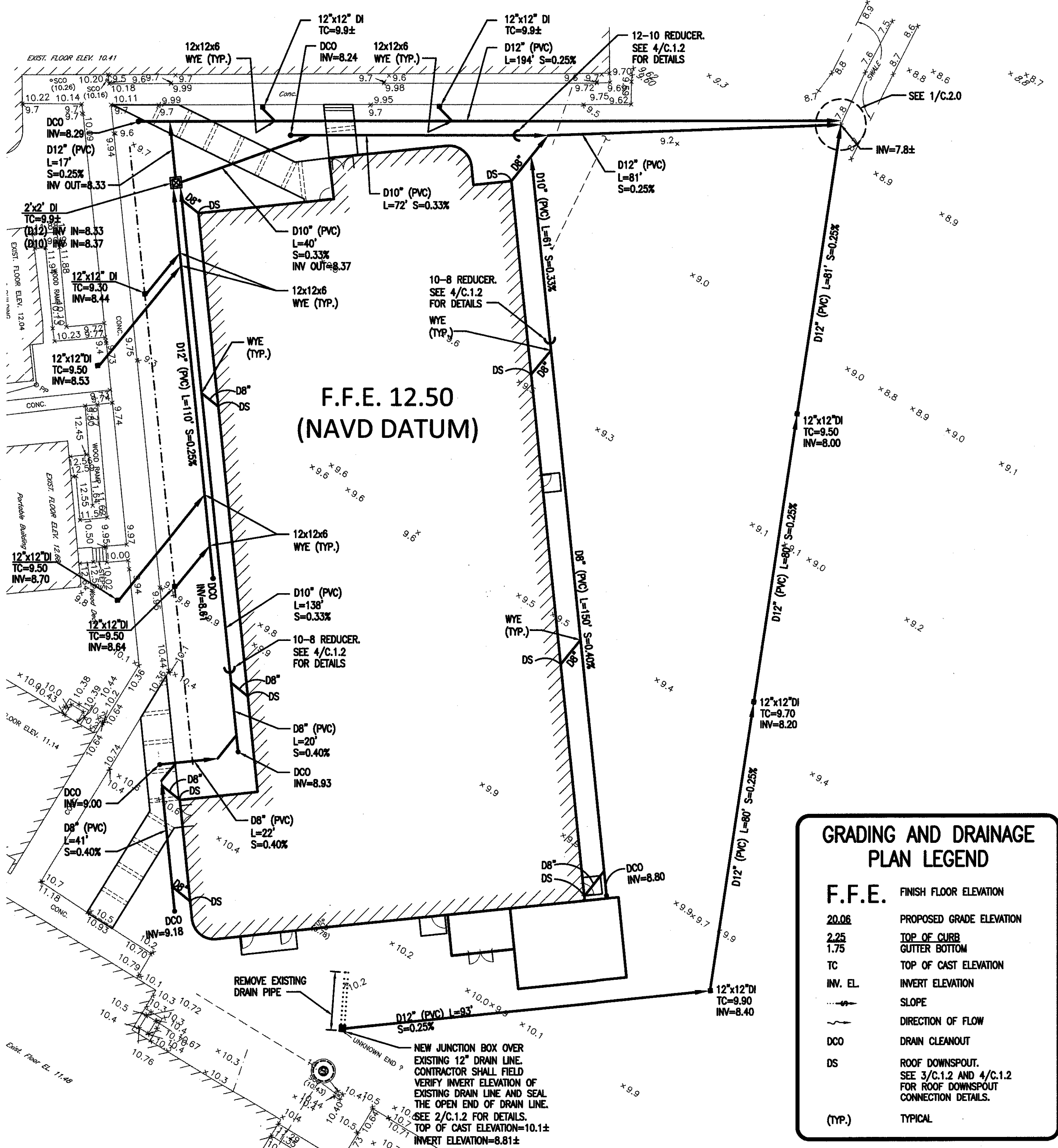
3 DROP INLET AT DOWNSPOUT BOOT
C.1.2 (TYPICAL) N.T.S.



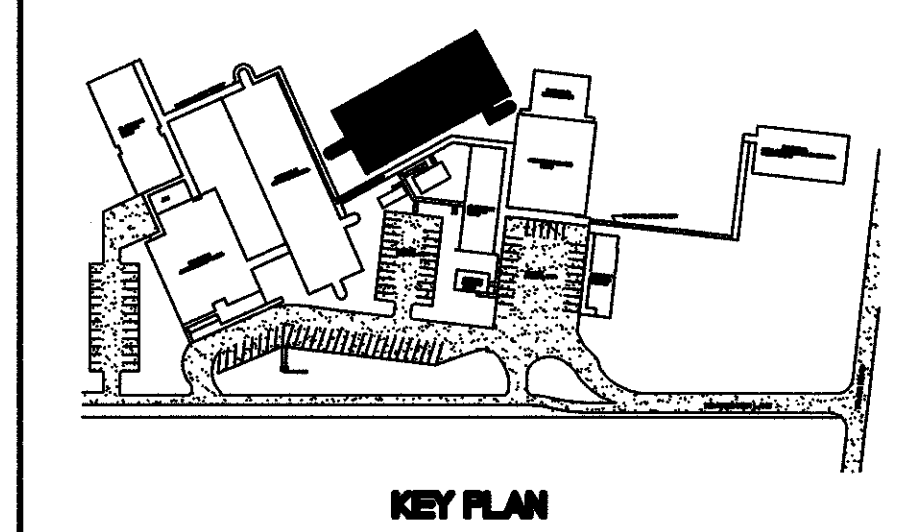
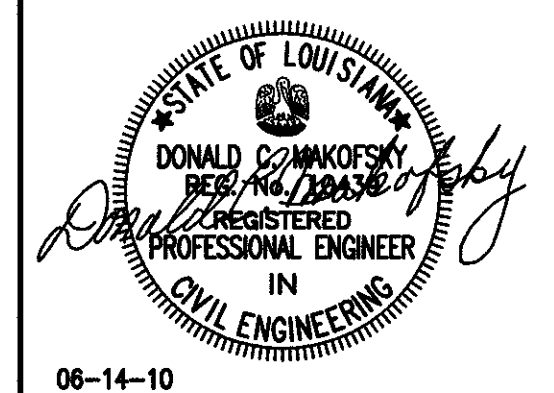
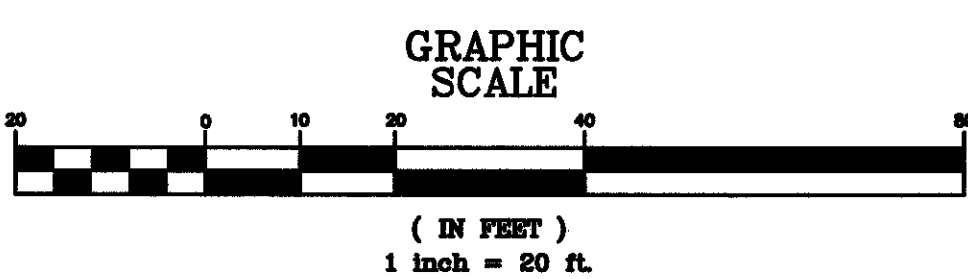
4 TYPICAL DRAIN CONNECTION DETAIL
C.1.2 (TYPICAL) N.T.S.



5 12\"/>



1 DRAINAGE PLAN
C.1.2 1\"/>



GRADING AND DRAINAGE PLAN LEGEND

F.F.E.	FINISH FLOOR ELEVATION
20.08	PROPOSED GRADE ELEVATION
2.25	TOP OF CURB
1.75	GUTTER BOTTOM
TC	TOP OF CAST ELEVATION
INV. EL.	INVERT ELEVATION
	SLOPE
	DIRECTION OF FLOW
DCO	DRAIN CLEANOUT
DS	ROOF DOWNSPOUT. SEE 3/C.1.2 AND 4/C.1.2 FOR ROOF DOWNSPOUT CONNECTION DETAILS.
(TYP.)	TYPICAL



no.	revisions	date
1		
2		
3		
4		
5		
6		

HARRY HURST MIDDLE SCHOOL WING ADDITION	
170 Roadrunner Lane, Destrehan, Louisiana 70047	
DRAINAGE PLAN	

project number	1007	C.1.2
date	6.14.2010	
phase	CD	

OTHER DOCUMENTS ARE PROTECTED BY UNITED STATES COPYRIGHT LAW. THEY HAVE BEEN PREPARED SPECIFICALLY FOR THE PROJECT AND ARE NOT TO BE REPRODUCED OR TRANSMITTED IN ANY FORM OR BY ANY MEANS, ELECTRONIC OR MECHANICAL, INCLUDING PHOTOCOPYING, RECORDING, OR BY ANY INFORMATION STORAGE AND RETRIEVAL SYSTEM, WITHOUT THE EXPRESS WRITTEN APPROVAL AND AUTHORIZATION OF HARRY ARCHITECTS. REPRODUCTION OF THESE DOCUMENTS WITHOUT THE EXPRESS WRITTEN APPROVAL OF THE ARCHITECT. ALL RIGHTS ARE RESERVED TO HARRY ARCHITECTS.

