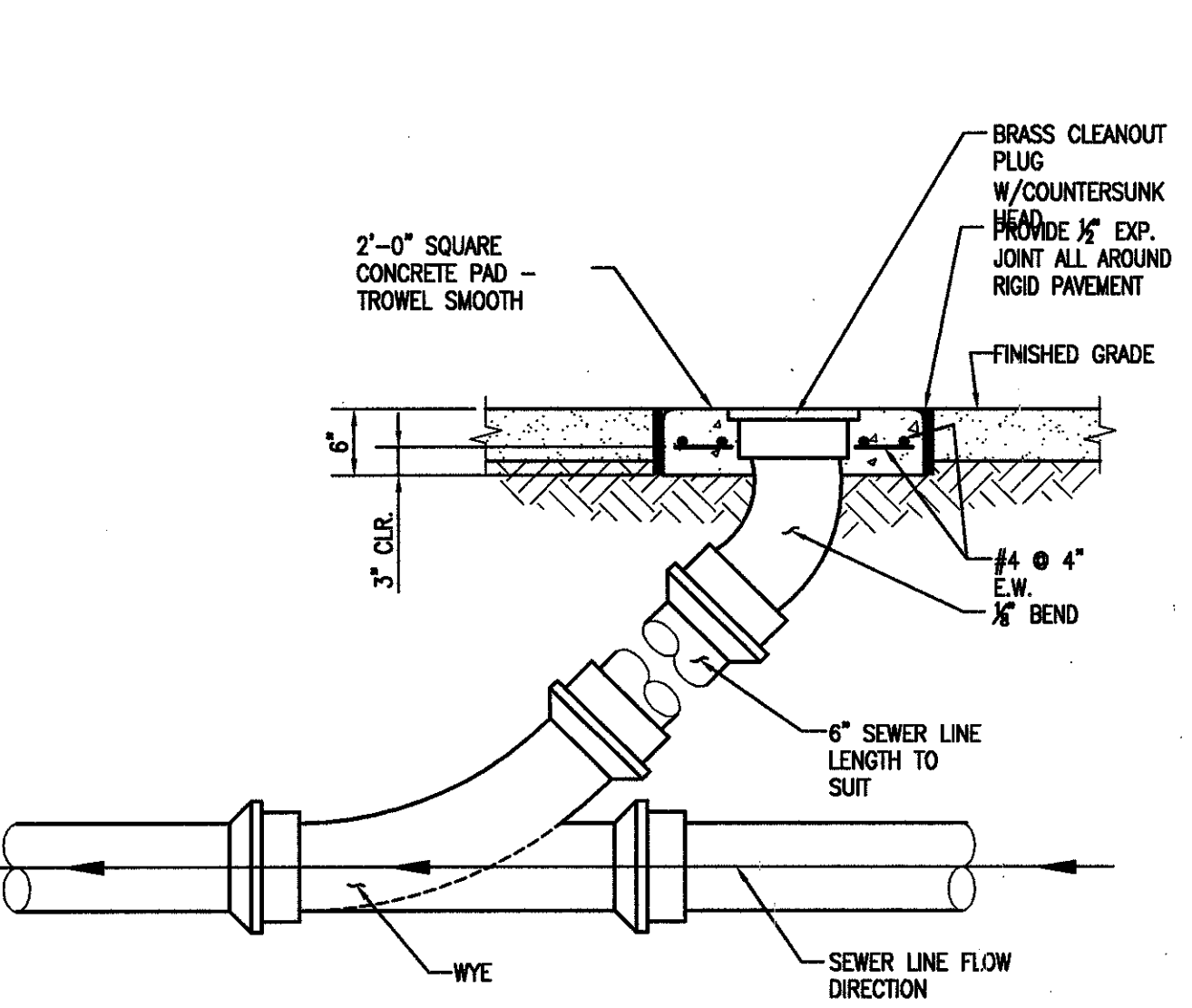
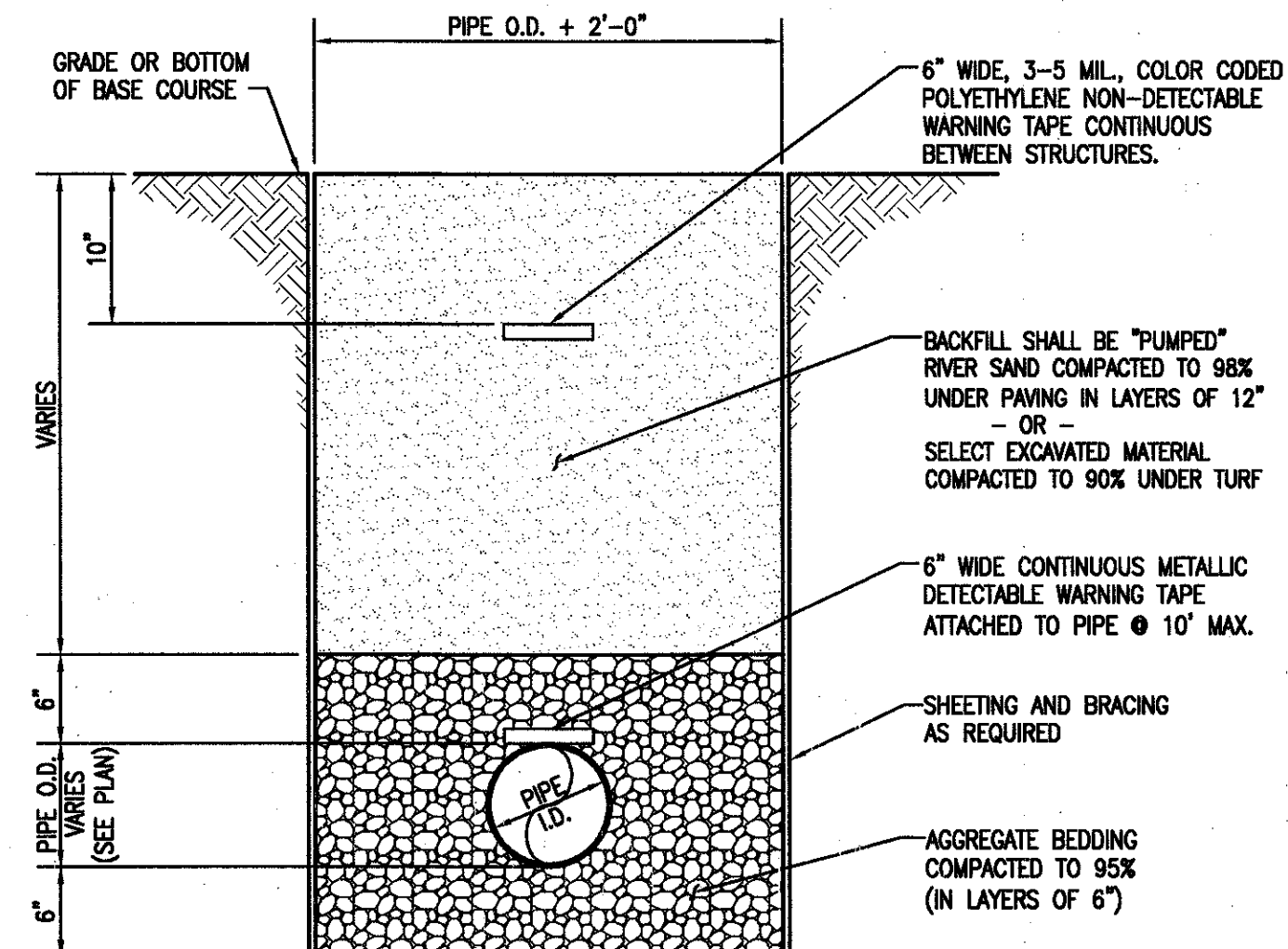


2 SANITARY SEWER MANHOLE DETAILS
1/2"=1'-0"

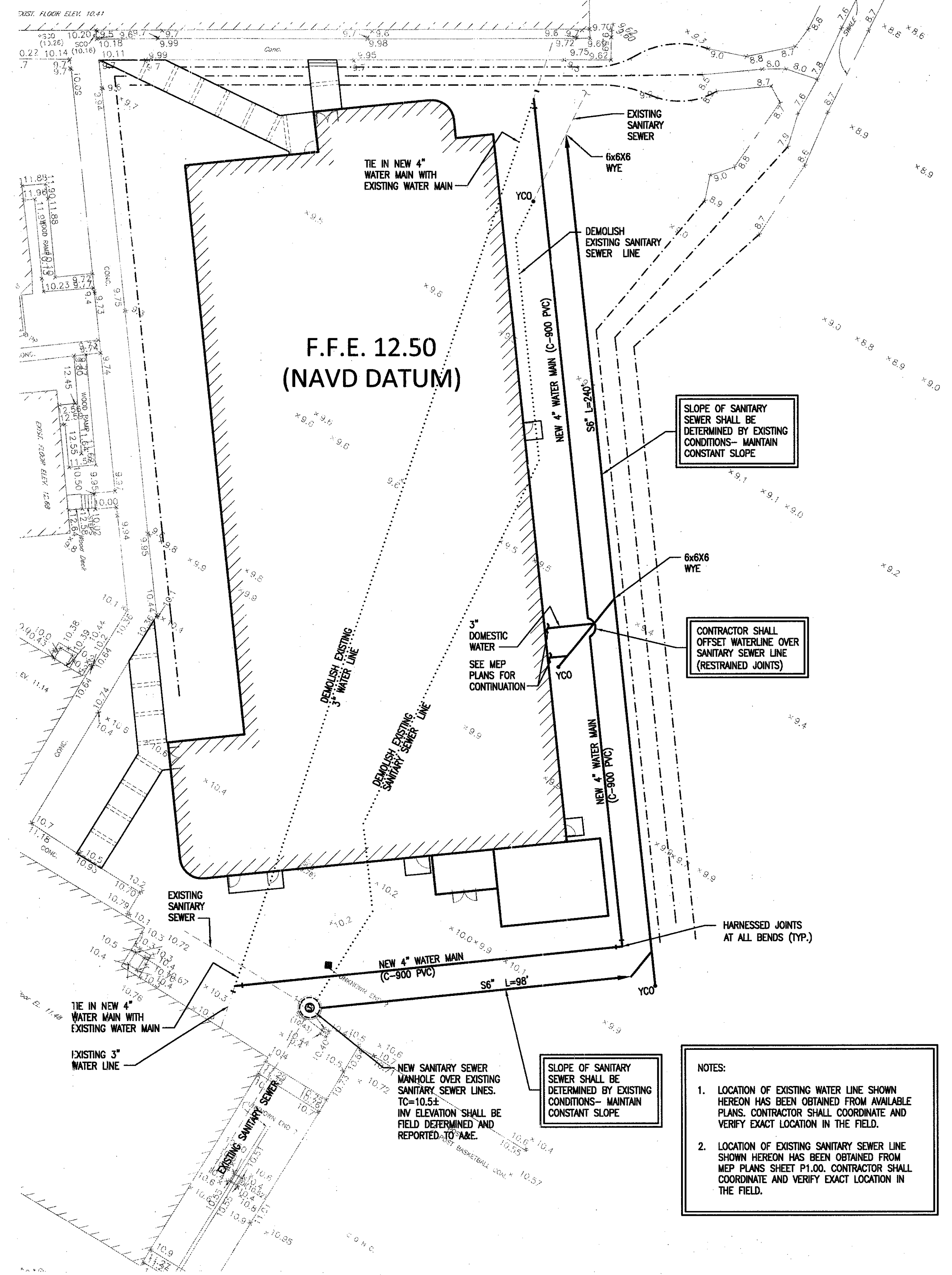
1. ALL MASONRY TO BE LAID WITH RUNNING BOND AND HEADER COURSE EVERY FOURTH LAYER.
2. ALL MASONRY WALLS TO BE PLASTERED INSIDE AND OUT (1/2" MINIMUM THICKNESS).
3. CONTRACTOR MAY PROVIDE PRECAST CONCRETE IN LIEU OF MASONRY UTILITY STRUCTURES AS FOLLOWS:
 - A. PRECAST CONCRETE MANHOLES OUTSIDE OF THE CITY RIGHT-OF-WAY SHALL CONFORM TO ASTM C478.
 - B. PRECAST CONCRETE DROP INLETS SHALL CONFORM TO ASTM C913.
4. CASTINGS:
 - A. MATERIAL: CAST IRON MATERIAL SHALL CONFORM TO ASTM A48-B3 CLASS 30, AS A MINIMUM, WITH A MINIMUM OF 30,000 P.S.I. TENSILE STRENGTH. DUCTILE IRON MATERIAL SHALL CONFORM TO ASTM A536-80, GRADE 65-45-12.
 - B. APPEARANCE: ALL CASTINGS SHALL BE FURNISHED FREE FROM BLOWHOLES, SHRINKAGES OR OTHER SURFACE IMPERFECTIONS. ALL ROUND MANHOLE RINGS AND COVERS OR GRATES SHALL BE FURNISHED WITH MACHINED HORIZONTAL BEARING SURFACES. ALL OTHER CASTINGS WILL BE FURNISHED WITH GROUND SEATING SURFACES. TOLERANCES: ACTUAL DIMENSIONS OF ALL CASTINGS SHALL HAVE A TOLERANCE OF 3/16 INCH, AND AN ADDITIONAL TOLERANCE OF ±1/16 INCH PER FOOT OF DIMENSION. ALL FRAMES, COVERS, AND GRATES OF THE SAME PART NUMBER SHALL BE INTERCHANGEABLE.
 - C. THE WORD "SEWER" SHALL BE CAST INTO COVER AS REQUIRED.



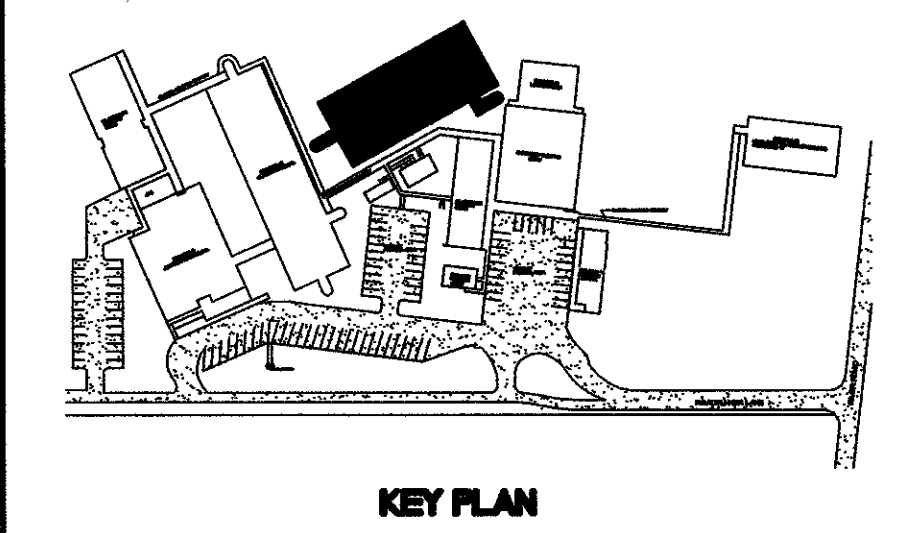
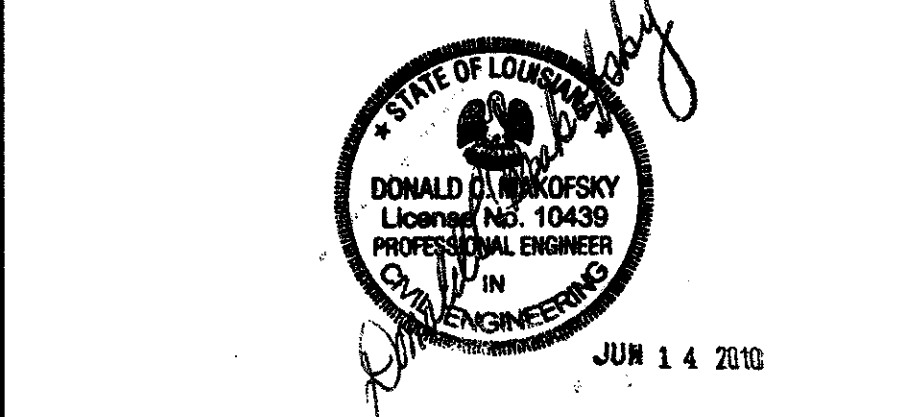
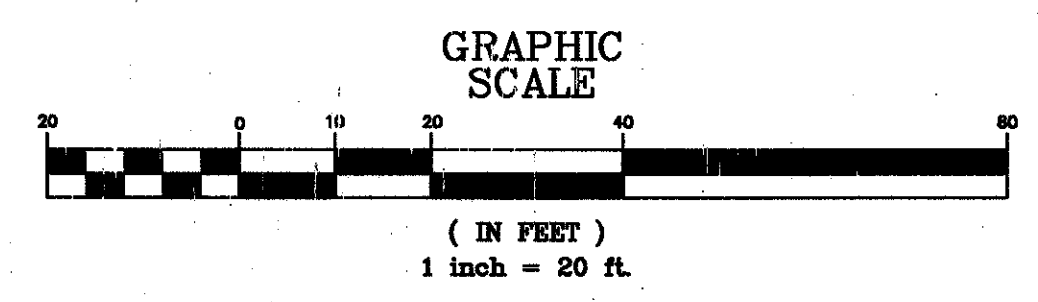
3 SEWER CLEANOUT TO GRADE DETAIL
3/4"=1'-0"



4 TYPICAL 6" SEWERAGE PIPE TRENCH AND BEDDING DETAIL
1"=1'-0"



1 UTILITIES PLAN
1"=20'-0"



no.	revisions	date
1		
2		
3		
4		
5		
6		

HARRY HURST MIDDLE SCHOOL WING ADDITION
170 Roadrunner Lane, Destrehan, Louisiana 70047

UTILITIES PLAN

project number	1007
date	6.14.2010
phase	CD

C.1.3



THESE DOCUMENTS ARE PROVIDED BY UNITED STATES COPYRIGHT LAW. THEY HAVE BEEN PREPARED OR REPRODUCED BY THE ENGINEER OR ARCHITECT AND ARE NOT TO BE REPRODUCED OR TRANSMITTED IN ANY FORM OR BY ANY MEANS, ELECTRONIC OR MECHANICAL, INCLUDING PHOTOCOPYING, RECORDING, OR BY ANY INFORMATION STORAGE AND RETRIEVAL SYSTEM, WITHOUT THE EXPRESS WRITTEN APPROVAL AND SUPERVISION OF THE ENGINEER OR ARCHITECT. THE ENGINEER OR ARCHITECT SHALL BE RESPONSIBLE FOR THE ACCURACY OF THESE DOCUMENTS AND THE CONTRACTOR SHALL BE RESPONSIBLE FOR THE ACCURACY OF THE FIELD DATA.