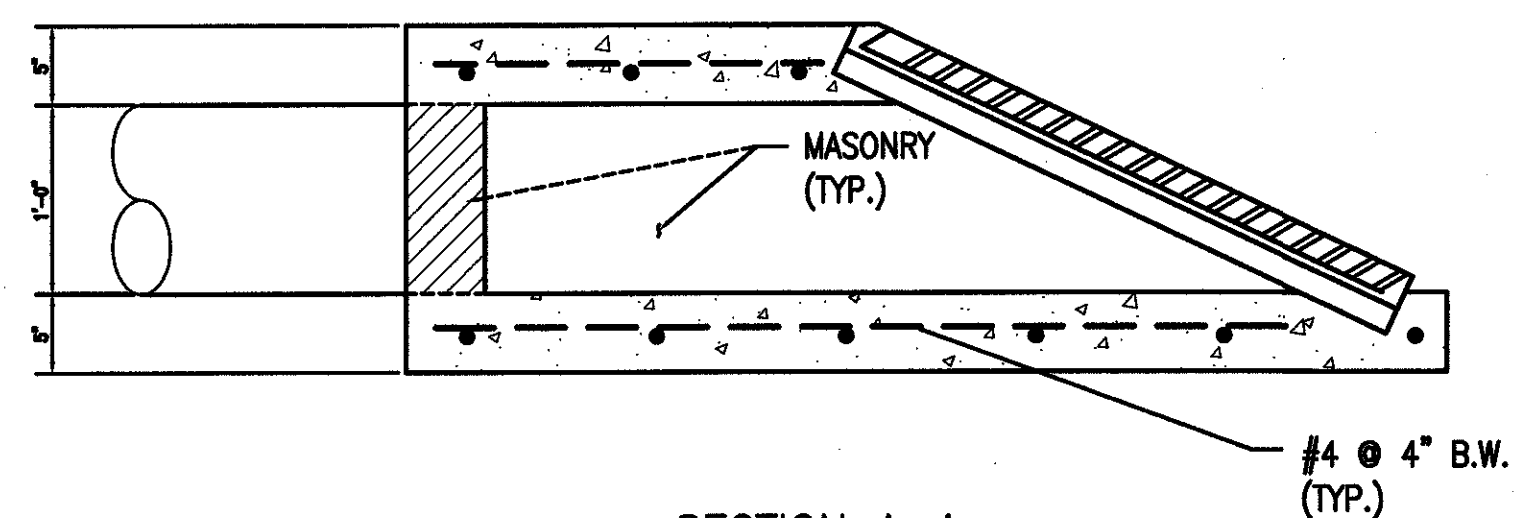
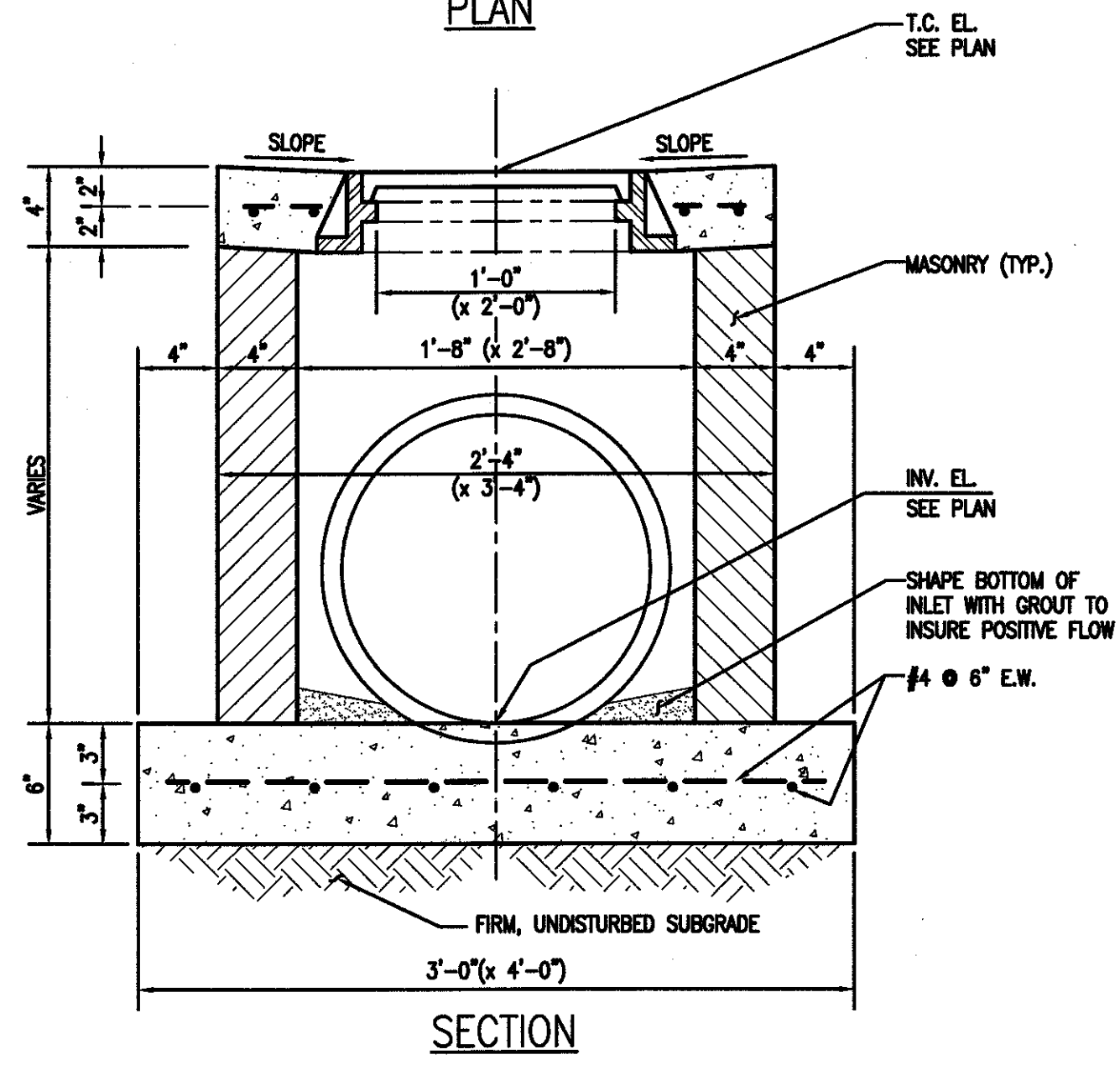
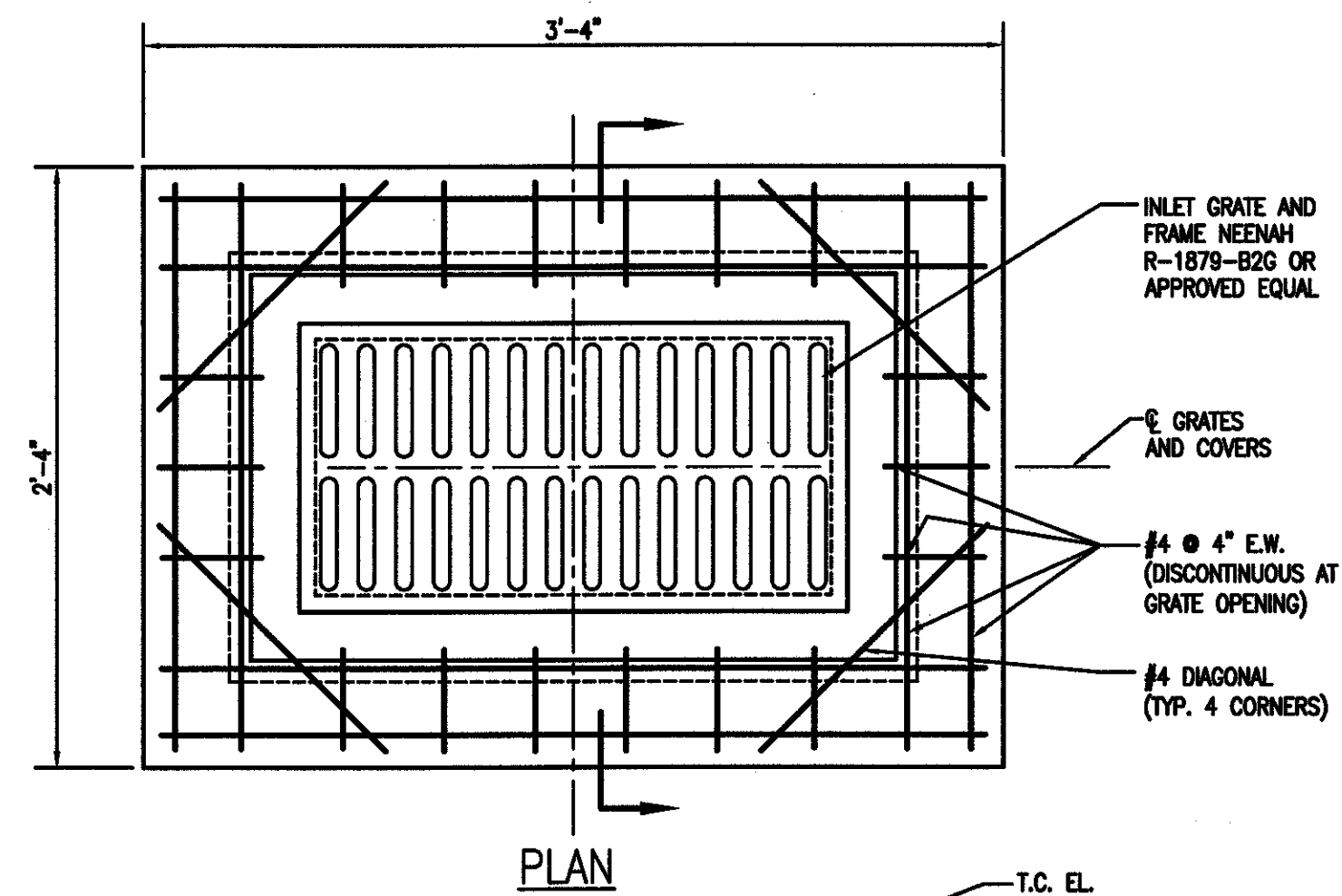


PLAN DETAIL
1"=1'-0"

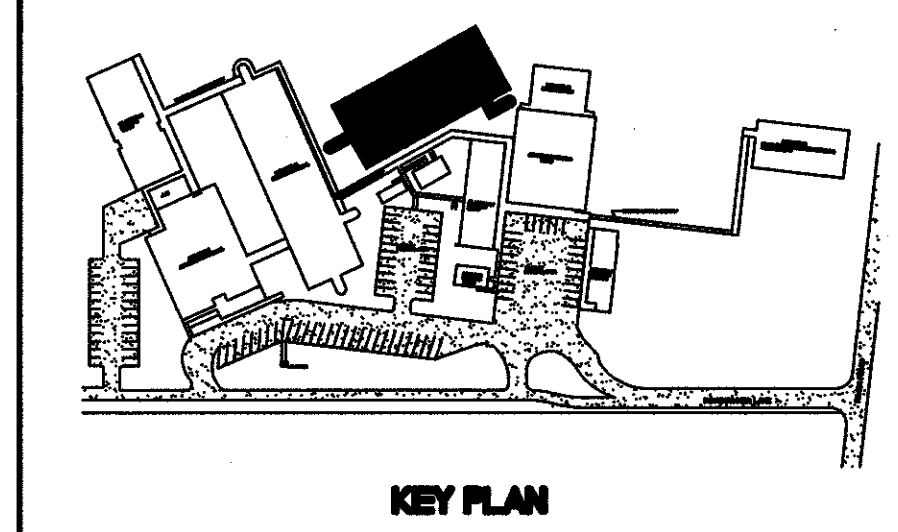
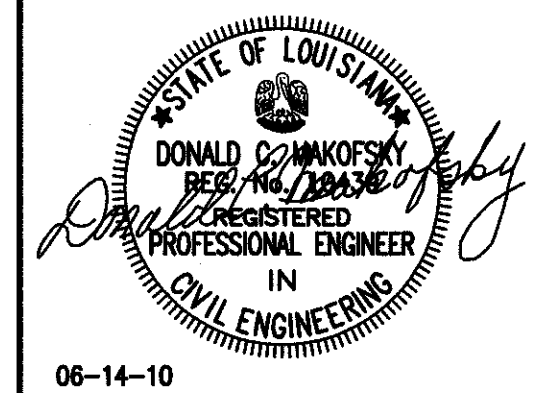


SECTION A-A
1"=1'-0"

1 DRAINAGE STRUCTURE DETAIL
C.2.0 1"=1'-0"



2 DROP INLET DETAILS (24x24)
C.2.0 1 1/2"=1'-0"



no.	revisions	date
1		
2		
3		
4		
5		
6		

HARRY HURST MIDDLE SCHOOL WING ADDITION
170 Roadrunner Lane, Destrehan, Louisiana 70047

project number	1007	C.2.0
date	6.14.2010	
phase	CD	
drawing number		



THESE DOCUMENTS ARE PROTECTED BY UNITED STATES COPYRIGHT LAW. THEY HAVE BEEN PREPARED SPECIFICALLY FOR THE EXCLUSIVE USE OF THE CLIENT AND ARE NOT TO BE REPRODUCED, COPIED, OR TRANSMITTED IN ANY FORM OR BY ANY MEANS, ELECTRONIC OR MECHANICAL, INCLUDING PHOTOCOPYING, RECORDING, OR BY ANY INFORMATION STORAGE AND RETRIEVAL SYSTEM, WITHOUT THE EXPRESS WRITTEN APPROVAL AND AUTHORIZATION OF MURRAY ARCHITECTS. ALL RIGHTS ARE RESERVED TO MURRAY ARCHITECTS.