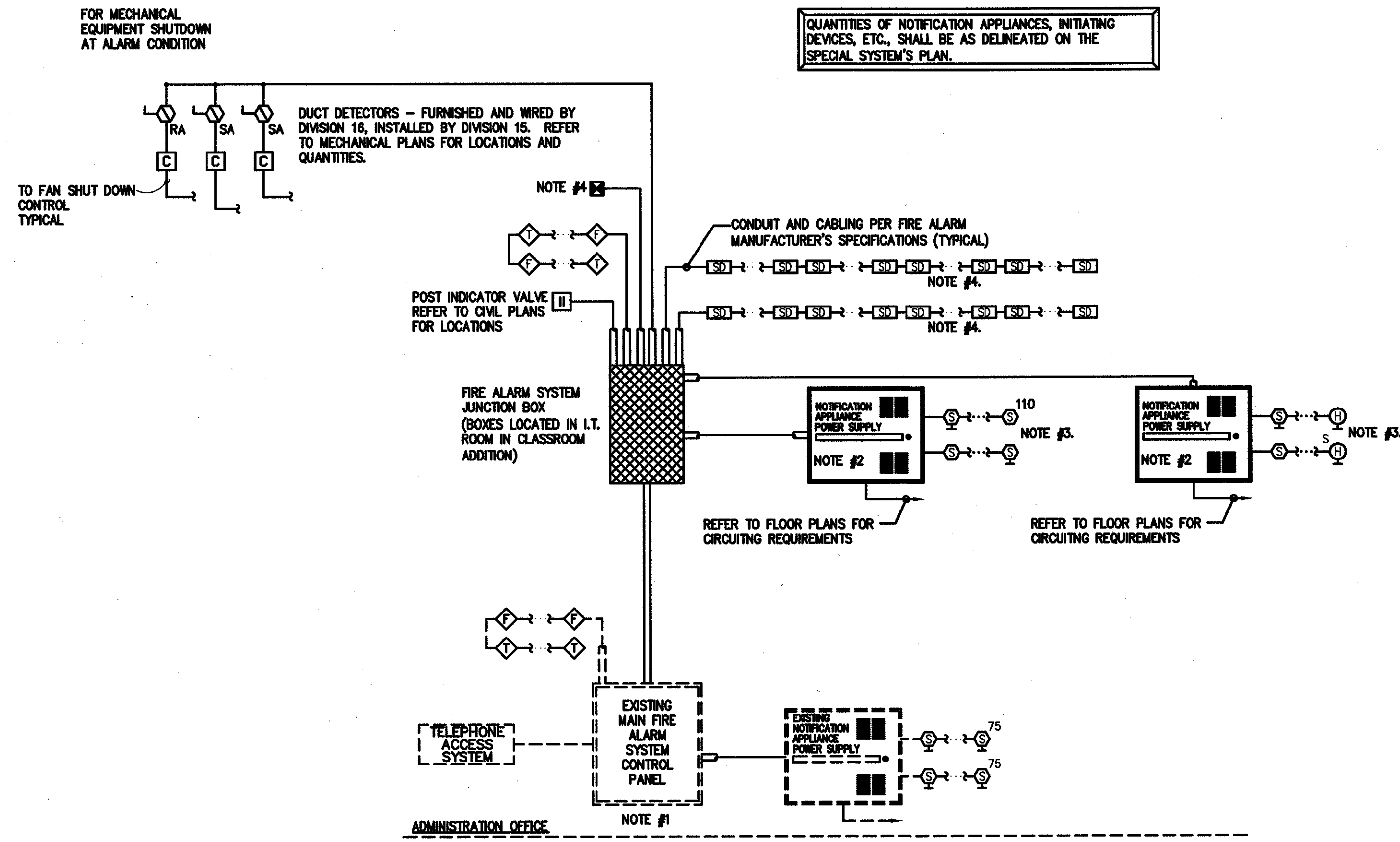


# 1 FIRE ALARM SYSTEM RISER DIAGRAM

NO SCALE



## FIRE ALARM SYSTEM RISER DIAGRAM NOTES:

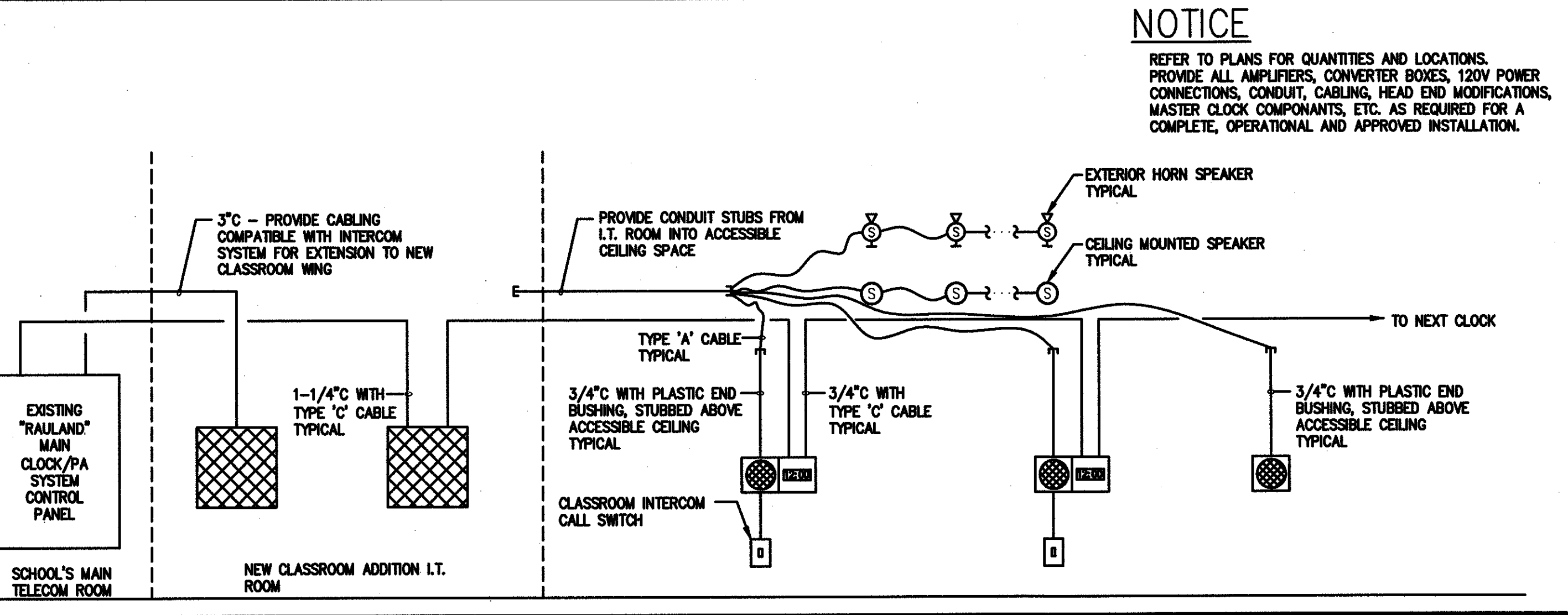
1. THE CONTRACTOR TO CONNECT THE NEW CLASSROOM ADDITION FIRE ALARM SYSTEM COMPONENTS TO THE EXISTING FIRE ALARM CONTROL PANEL LOCATED IN THE ADMINISTRATION AREA OF THE EXISTING SCHOOL BUILDING. THE OWNER SHALL HAVE THE FIRE ALARM PANEL NETWORK CARDS INSTALLED AND READY FOR CONNECTION AND EXTENSION TO THE NEW CLASSROOM ADDITION.
2. PROVIDE A NEW FIRE ALARM SYSTEM NOTIFICATION POWER (BOOSTER) SUPPLY OR SUPPLIES AS REQUIRED.
3. BUILDING STANDARD FIRE ALARM SYSTEM VISUAL NOTIFICATION APPLIANCE. WALL MOUNTED-WHITE FINISH.
4. BUILDING STANDARD FIRE ALARM SYSTEM AUTOMATIC INITIATING DEVICE. CEILING MOUNTED.
5. BUILDING STANDARD FIRE ALARM SYSTEM MANUAL INITIATING DEVICE. WALL MOUNTED.
6. THE CONTRACTOR SHALL FURNISH AND INSTALL PLENUM RATED CABLES, CONTROL MODULES, CONTROL/RELAY MODULES, MONITOR MODULES, SIGNALING LINE CIRCUIT MODULES, SYNCHRONIZATION MODULES, PROGRAMMING, FUNCTIONAL TESTING, COMMISSIONING, ETC., AS REQUIRED TO ACCOMMODATE THE NEW NOTIFICATION APPLIANCES, INITIATING DEVICES, ETC., FOR A COMPLETE WORKING FIRE ALARM SYSTEM INSTALLATION.
7. CONTRACTOR AND THE AUTHORIZED FIRE ALARM SYSTEM REPRESENTATIVE SHALL VISIT THE SITE TO DETERMINE THE LOCATION OF ALL MAIN FIRE ALARM CONTROL PANEL(S), SUB-FIRE ALARM CONTROL PANEL(S), NOTIFICATION APPLIANCE POWER SUPPLIES, FIRE ALARM RISER JUNCTION BOXES, ETC., AS NEEDED TO ACCOMMODATE THIS PROJECT.
8. ALL FIRE ALARM SYSTEM CABLES SHALL BE PLENUM RATED AND ATTACHED TO THE BUILDING'S STRUCTURE PER ANS/EIA/TIA/BCSI STANDARDS AND PRACTICES, EXCLUDING THE ROUTING OF CABLING FROM THE EXISTING FIRE ALARM CONTROL PANEL TO THE NEW ADDITION. THIS CABLING SHALL BE RUN IN CONDUIT.

## NEW ADDITION PROPOSED ZONING:

- THE FOLLOWING ZONING INTENT IS SHOWN FOR REFERENCE ONLY. THE CONTRACTOR SHALL PROVIDE ZONING FOR THE NEW CLASSROOM ADDITION AS APPROVED BY THE OWNER.
- ZONE 1 - FIRST FLOOR INITIATION DEVICES
  - ZONE 2 - SECOND FLOOR INITIATION DEVICES
  - ZONE 3 - DUCT DETECTORS
  - ZONE 4 - ELEVATOR LOBBY/MACHINE ROOM/SHAFT INITIATION DEVICES
  - ZONE 5 - ADMINISTRATION AREA MANUAL PULL STATION
  - ZONE 6 - FIRE PROTECTION FLOW AND TAMPER SWITCHES

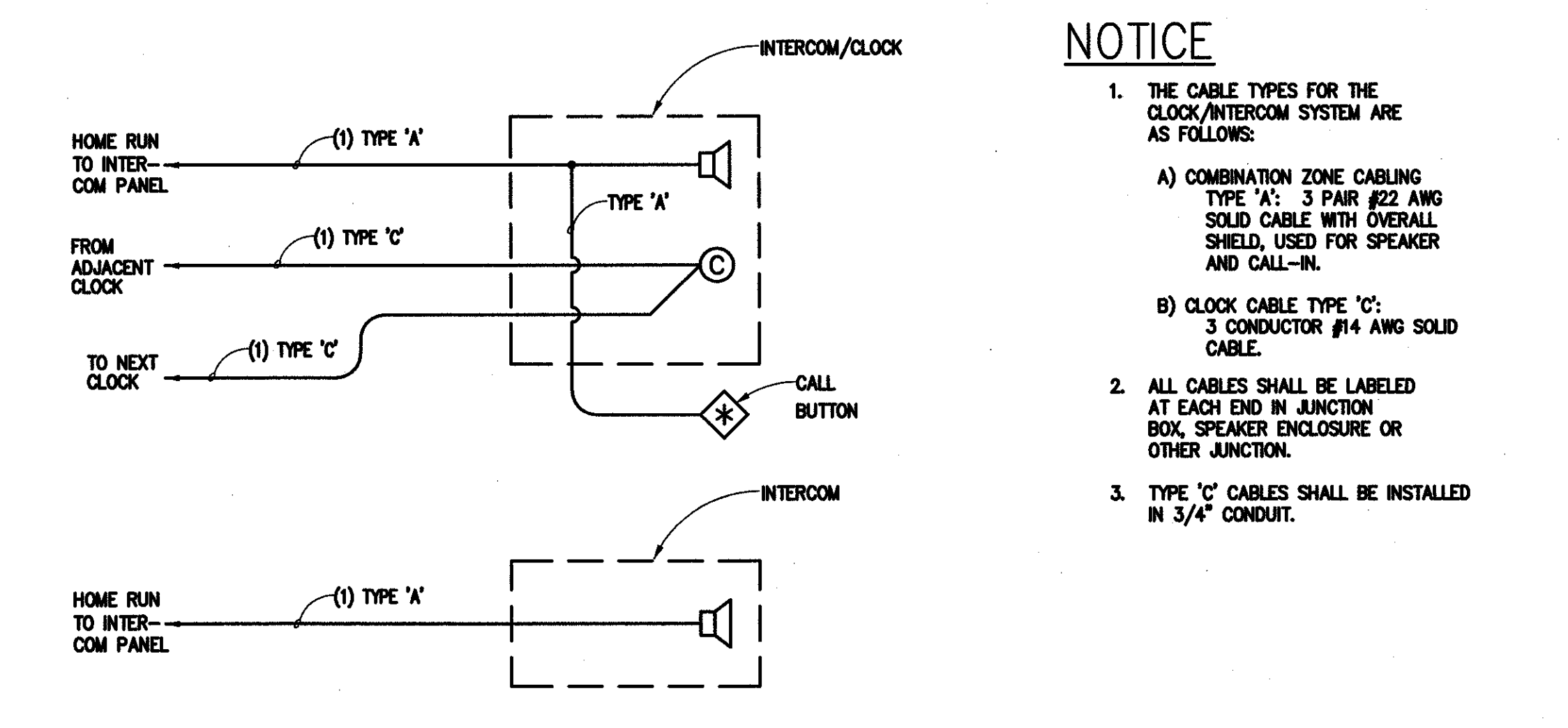
# 2 CLOCK/INTERCOM SYSTEM SYSTEM RISER DIAGRAM

NO SCALE



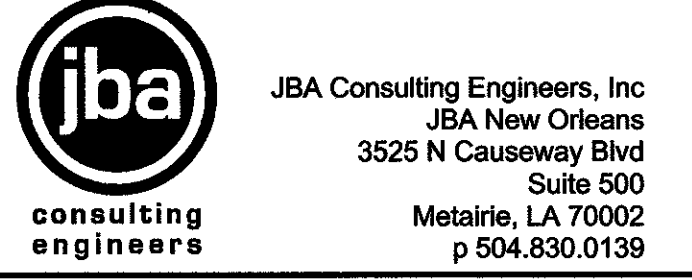
# 3 CLOCK/INTERCOM WIRING DIAGRAM

NO SCALE



## NOTICE

1. THE CABLE TYPES FOR THE CLOCK/INTERCOM SYSTEM ARE AS FOLLOWS:
  - A) COMBINATION ZONE CABLING TYPE 'A': 3 PAIR #22 AWG SOLID CABLE WITH OVERALL SHIELD, USED FOR SPEAKER AND CALL-IN.
  - B) CLOCK CABLE TYPE 'C': 3 CONDUCTOR #14 AWG SOLID CABLE.
2. ALL CABLES SHALL BE LABELED AT EACH END IN JUNCTION BOX, SPEAKER ENCLOSURE OR OTHER JUNCTION.
3. TYPE 'C' CABLES SHALL BE INSTALLED IN 3/4" CONDUIT.



no.	revisions	date
1		
2		
3		
4		
5		
6		

**HARRY HURST MIDDLE SCHOOL WING ADDITION**  
1 Roadrunner Lane, Destrehan, Louisiana 70047

DIAGRAMS AND DETAILS

STATE OF LOUISIANA  
ALVIN L. PHELPS, JR.  
LICENSED PROFESSIONAL ENGINEER  
NO. 40202

**MURRAY ARCHITECTS**  
project number: 10.0123  
date: 06.14.2010  
phase: CD

drawing number: **E4.02**

THESE DOCUMENTS ARE PROTECTED BY UNITED STATES COPYRIGHT LAW. THEY HAVE BEEN PREPARED SPECIFICALLY FOR THE CLIENT AND ARE NOT TO BE REPRODUCED OR TRANSMITTED IN ANY FORM OR BY ANY MEANS, ELECTRONIC OR MECHANICAL, INCLUDING PHOTOCOPYING, RECORDING, OR BY ANY INFORMATION STORAGE AND RETRIEVAL SYSTEM, WITHOUT THE EXPRESS WRITTEN APPROVAL AND AUTHORIZATION OF MURRAY ARCHITECTS. REPRODUCTION OF THESE DOCUMENTS MUST BE AUTHORIZED BY THE ARCHITECT. ALL RIGHTS ARE RESERVED TO MURRAY ARCHITECTS.