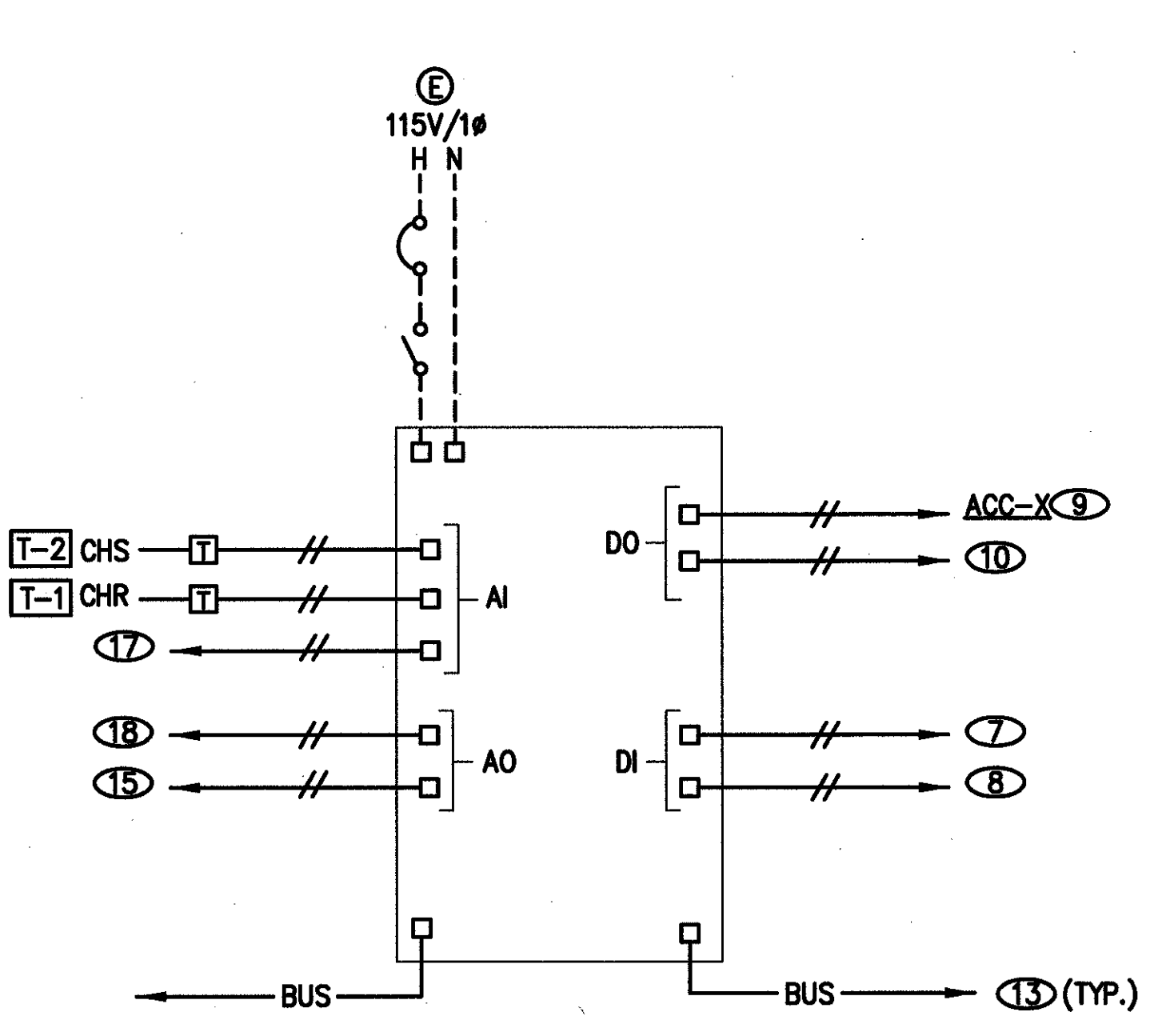
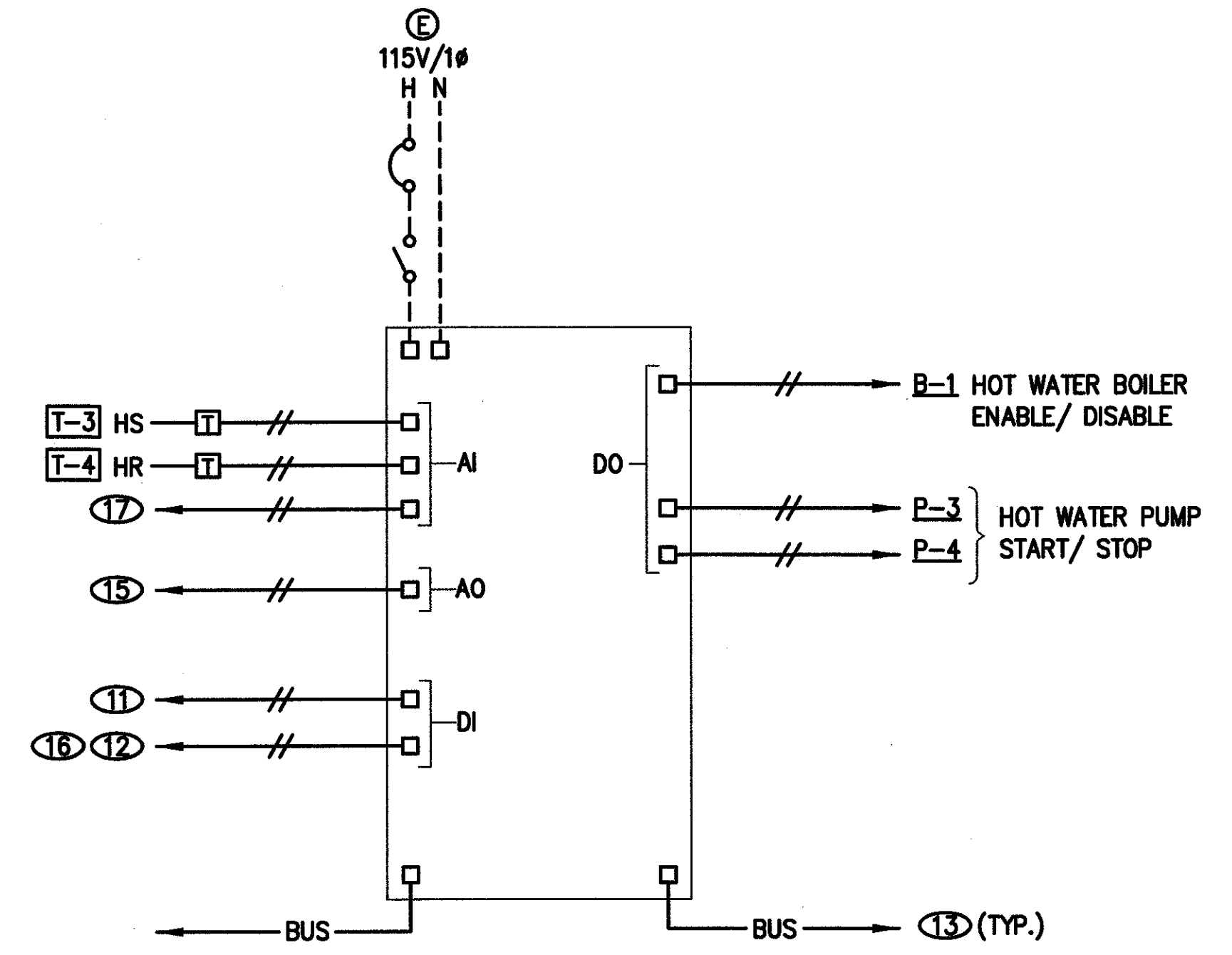


NOTES

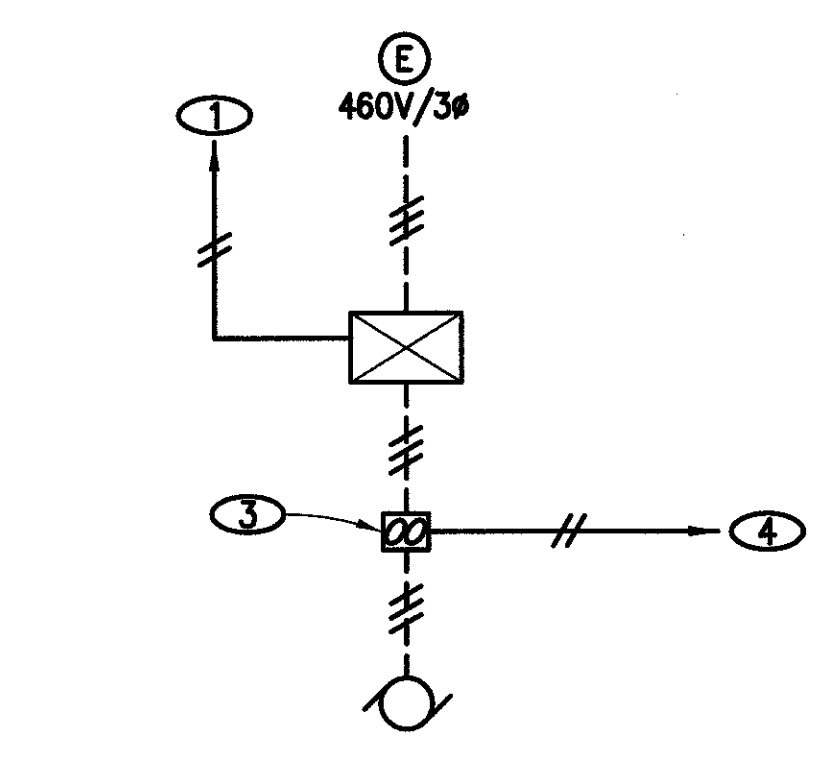
- ① START/STOP VIA EMCS.
- ② SPEED CONTROL SIGNAL VIA EMCS.
- ③ CURRENT SENSOR FOR STATUS MONITORING VIA EMCS.
- ④ CURRENT SENSOR SIGNAL TO EMCS. PROGRAM TO AUTOMATICALLY START STANDBY MOTOR UPON FAILURE OF LEAD MOTOR AND ANNUNCIATOR ALARM AT FRONT END WORK STATION.
- ⑤ CHILLER ENABLE/ DISABLE VIA EMCS.
- ⑥ CHILLER WATER FLOW SWITCH WITH TIME DELAY.
- ⑦ CHILLER FAILURE SIGNAL. COORDINATE INTERFACE REQUIREMENTS WITH CHILLER MANUFACTURER'S WIRING DIAGRAMS.
- ⑧ CURRENT SENSOR STATUS SIGNAL FROM CHILLED WATER PUMPS. TYPICAL FOR P-1, P-2.
- ⑨ CHILLER ENABLE/ DISABLE.
- ⑩ PUMP START/ STOP. TYPICAL FOR P-1, P-2.
- ⑪ CURRENT SENSOR STATUS SIGNAL FROM HOT WATER PUMP (TYP. FOR P-3, P-4).
- ⑫ BOILER FAILURE SIGNAL COORDINATE INTERFACE WITH BOILER MANUFACTURER'S WIRING DIAGRAMS.
- ⑬ COMMUNICATIONS BUS TO/ FROM OTHER DDC PANELS OR CONTROLLERS.
- ⑭ HOT WATER BOILER ENABLE/ DISABLE VIA EMCS.
- ⑮ 2-WAY PRESSURE BY PASS CONTROL VALVE.
- ⑯ SEE FLOOR PLAN FOR LOCATIONS.
- ⑰ DIFFERENTIAL PRESSURE SIGNAL FROM DIFFERENTIAL PRESSURE TRANSMITTER (TYP 2).
- ⑱ PUMP VFD SPEED CONTROL. TYP FOR P-1, P-2.



CHILLED WATER SYSTEM DDC PANEL

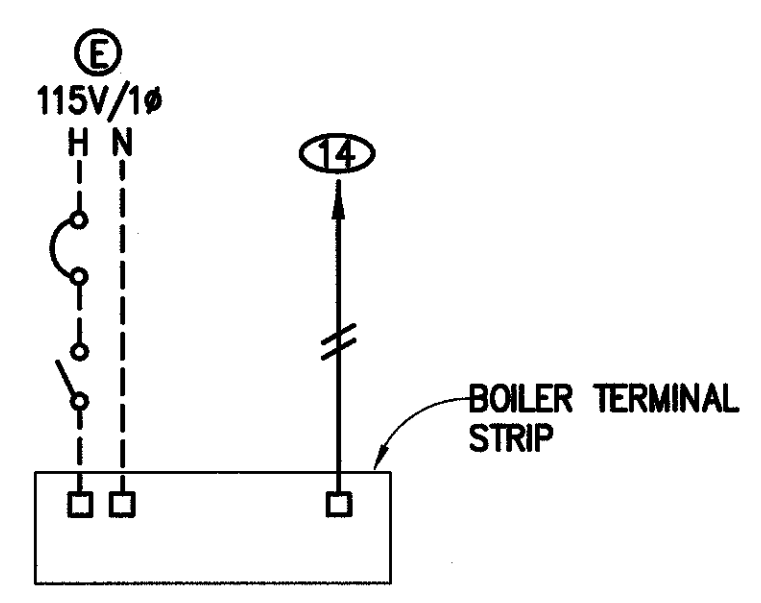


SPACE HEATING HOT WATER SYSTEM DDC PANEL



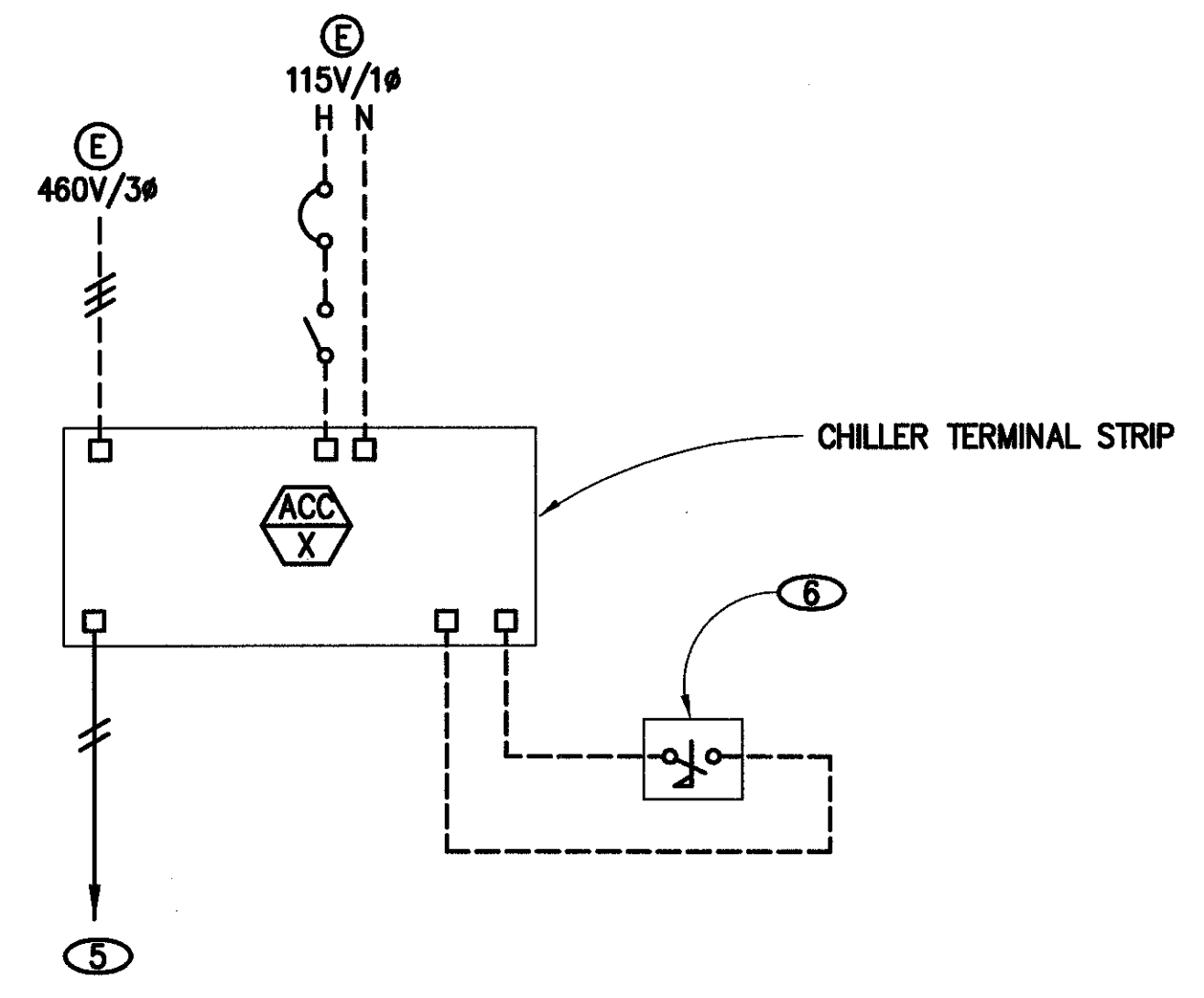
TYP. HOT WATER PUMP

(P/3, P/4)

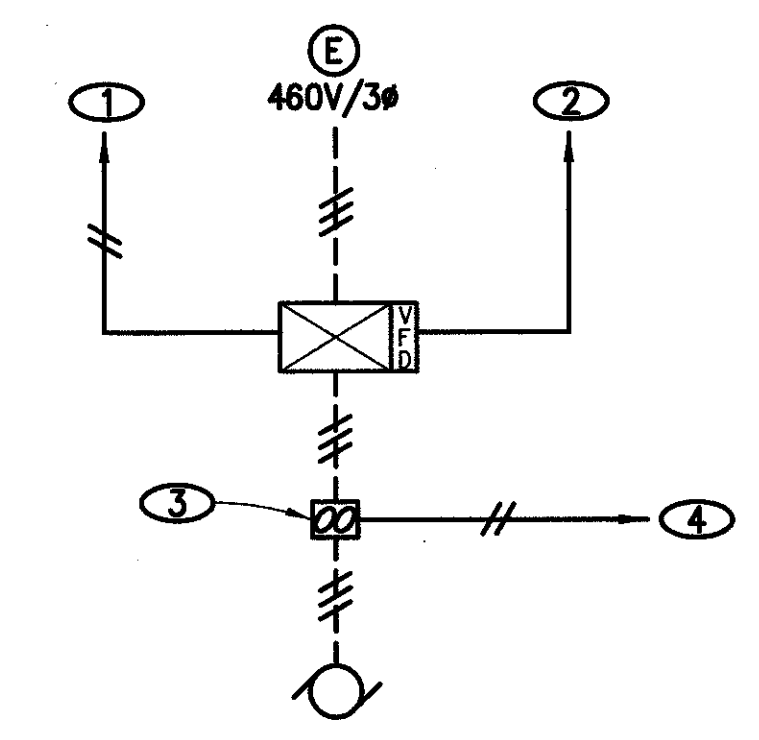


TYP. HOT WATER BOILER CONTROL INTERFACE

(B/1)

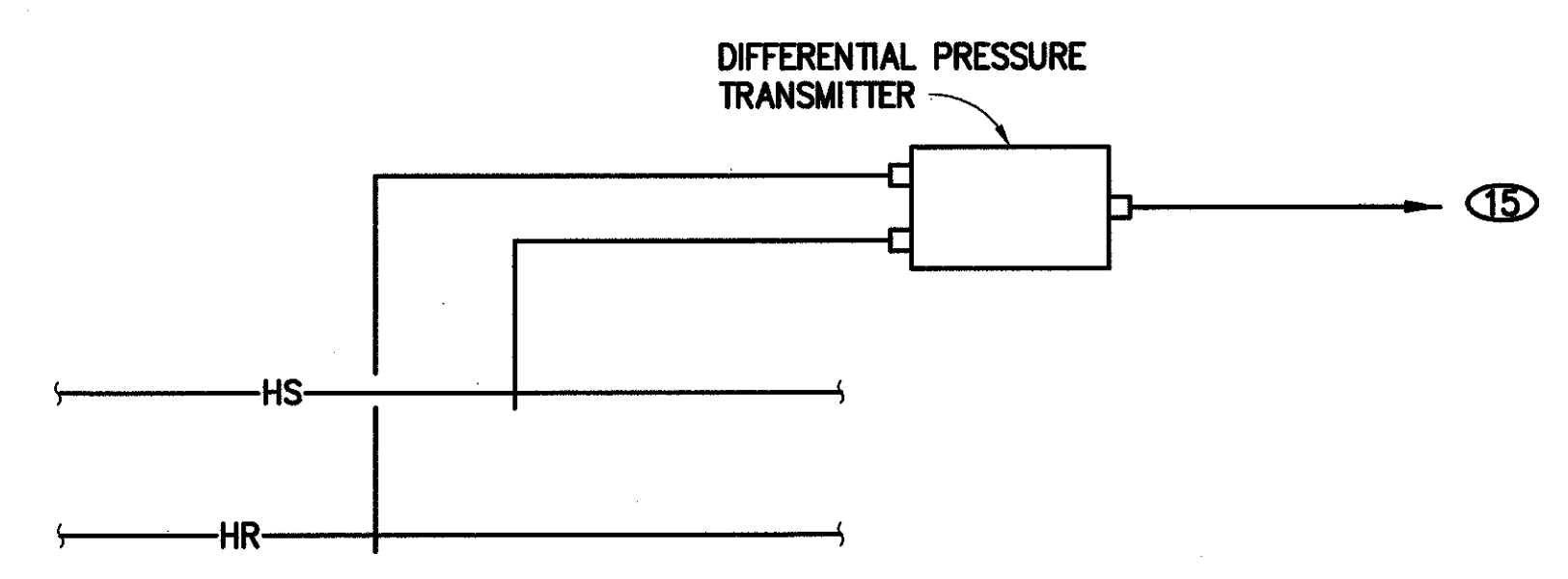


AIR COOLED WATER CHILLER CONTROL



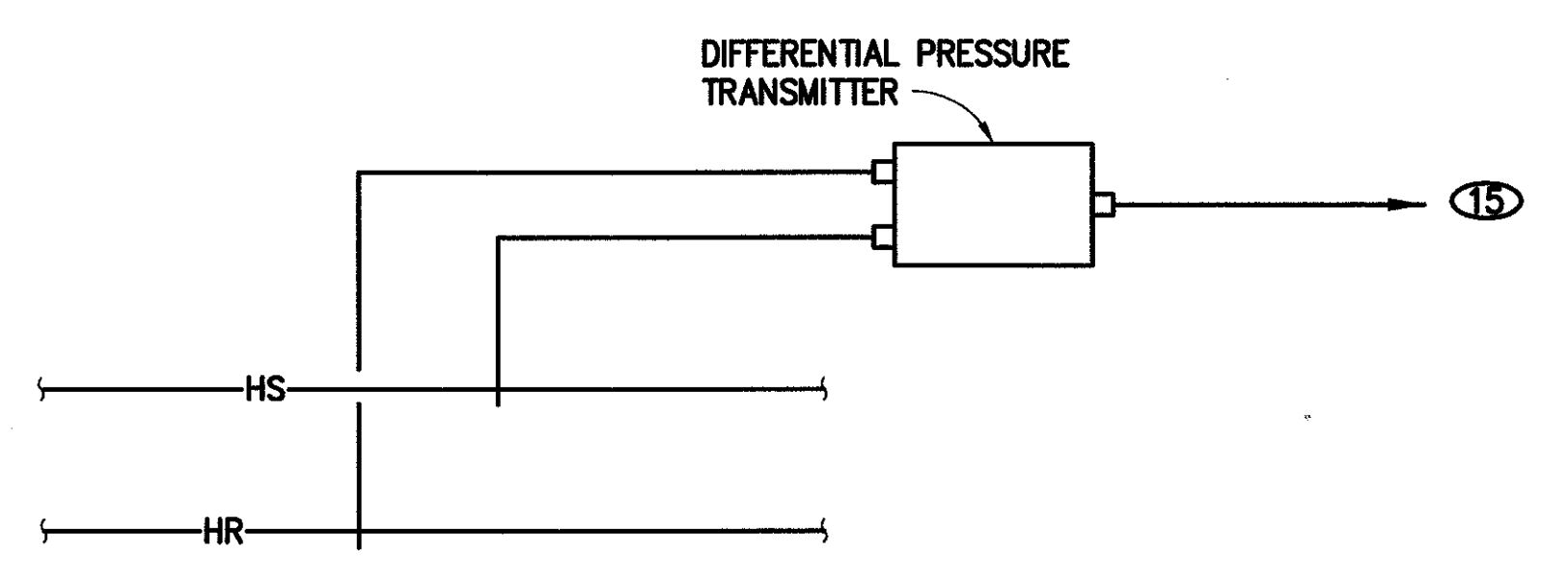
TYP. CHILLED WATER PUMP

(P/1, P/2)



HOT WATER DIFFERENTIAL PRESSURE CONTROL

(16)



CHILLED WATER DIFFERENTIAL PRESSURE CONTROL

(16)

MURRAY ARCHITECTS
 131 common center court
 destrehan, la 70047
 (504) 725-0182

jba consulting engineers
 JBA Consulting Engineers, Inc
 JBA New Orleans
 3525 N Causeway Blvd
 Suite 500
 Metairie, LA 70002
 p 504.830.0139

no.	revisions	date
1		
2		
3		
4		
5		
6		

HARRY HURST MIDDLE SCHOOL WING ADDITION
 1 Roadrunner Lane, Destrehan, Louisiana 70047
 AUTOMATIC TEMPERATURE CONTROLS/EMCS WIRING DIAGRAMS

STATE OF LOUISIANA
 RONALD CHARLES EDWARDS
 License No. 55376
 PROFESSIONAL ENGINEER

MURRAY ARCHITECTS
 project number 10.0123
 date 06.14.2010
 phase CD

drawing number **MO.04**

THESE DOCUMENTS ARE PROTECTED BY UNITED STATES COPYRIGHT LAW. THEY HAVE BEEN PREPARED SPECIFICALLY FOR THE CLIENT AND ARE NOT TO BE REPRODUCED OR TRANSMITTED IN ANY FORM OR BY ANY MEANS, ELECTRONIC OR MECHANICAL, INCLUDING PHOTOCOPYING, RECORDING, OR BY ANY INFORMATION STORAGE AND RETRIEVAL SYSTEM, WITHOUT THE EXPRESS WRITTEN APPROVAL AND SIGNATURE OF HARRY HURST MIDDLE SCHOOL ARCHITECTS. REPRODUCTION OF THESE DOCUMENTS WITHOUT THE EXPRESS WRITTEN APPROVAL OF THE ARCHITECT. ALL RIGHTS ARE RESERVED TO HARRY HURST MIDDLE SCHOOL ARCHITECTS.

6-20-10