

PERFORATED METAL SCREEN, SEE SPEC. SECTION 0943

SPACING OF POSTS SHALL BE EQUALLY DIVIDED BY LENGTH OF RUN BUT SHALL NOT EXCEED 4'-0"

MAXIMUM SPACING

4'-0"

36'-7"

MECHANICAL PLATFORM- SEE STRUCTURAL DWGS.

PROVIDE ISOLATION BRACKETS FOR ALUMINUM LADDER AND STEEL FRAME OF PLATFORM

600 GALVANIZED CLUMERAL SYSTEM 1 1/2" SQUARE POSTS WITH TOP CAP-TYP. TO SUPPORT PERFORATED SCREEN

600 GALVANIZED SQUARE POSTS TO SUPPORT 1 1/2" STEEL POSTS

MECHANICAL PLATFORM- SEE STRUCTURAL DWGS.

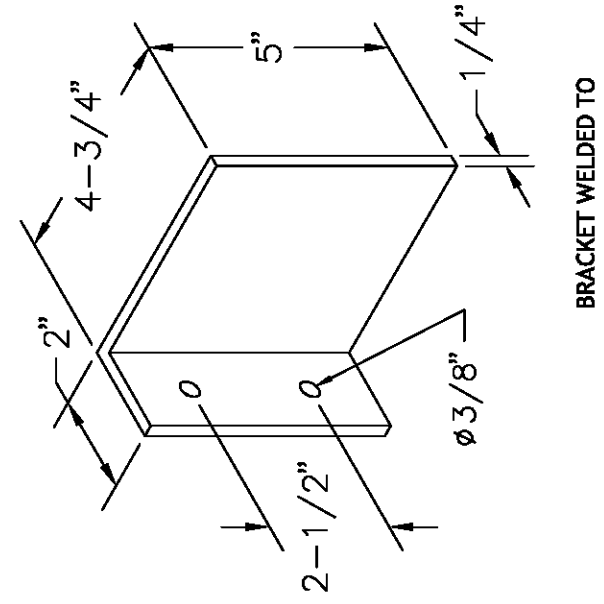
ALUMINUM LADDER- SEE DETAIL 1/A104

FINISHED GRADE

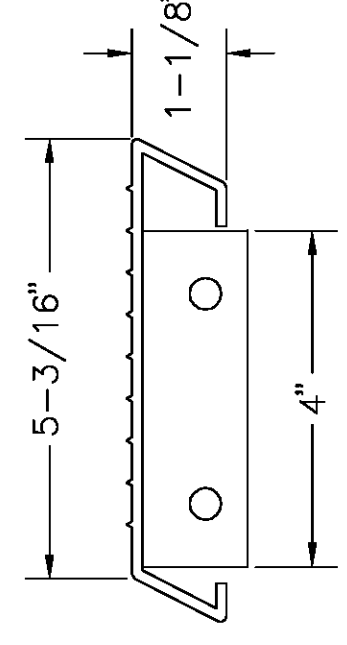
TOP OF SLAB

NOTE: PLATFORM SHIPS LADDER AND RAILING SYSTEM SHALL CONFORM TO ALL O.S.H.A. REQUIREMENTS.

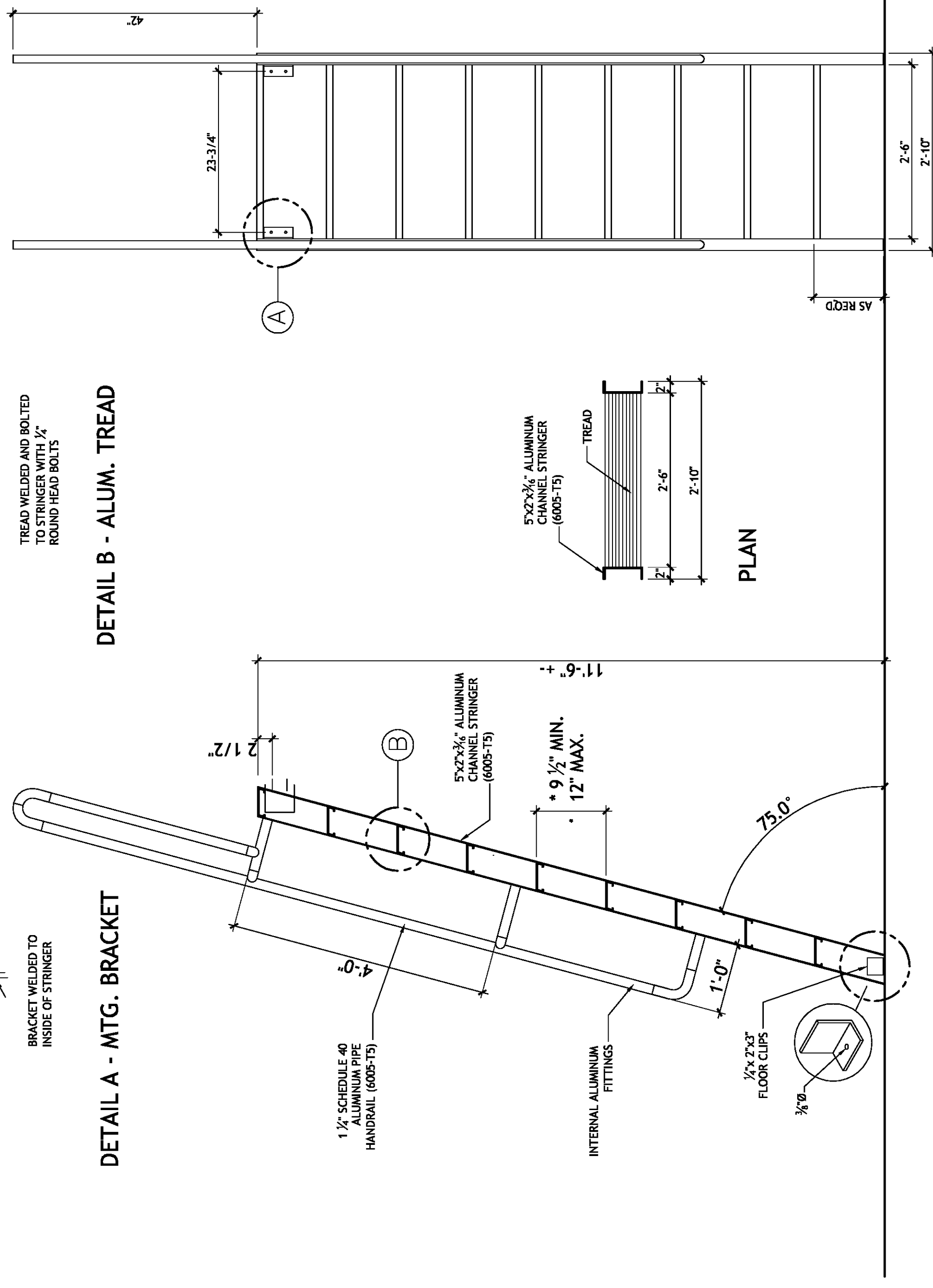
2  PLATFORM RAILING AND ACCESS
1/4" = 1'-0"




DETAIL A - MTG. BRACKET



DETAIL B - ALUM. TREAD



1  DETAIL @ LADDER TO PLATFORM
3/4" = 1'-0"

ELEVATION

REGIONAL DESIGN GROUP, LLC
300 LAFAYETTE STREET, SUITE 200
NEW ORLEANS, LOUISIANA 70130
(504) 523-6472 FAX (504) 529-1181

**STUELER
THOMPSON
BROWN
ARCHITECTS**

no.	revision	date
1		
2		
3		
4		
5		

JEFFERSON PARISH SHERIFF'S OFFICE
4TH DISTRICT SUBSTATION
6228 AIRLINE DRIVE METairie, LOUISIANA 70003

SITE DETAILS

file name	drawing number
A104.dwg	A104
project number	date
51122.03	02-25-10
phase	CD