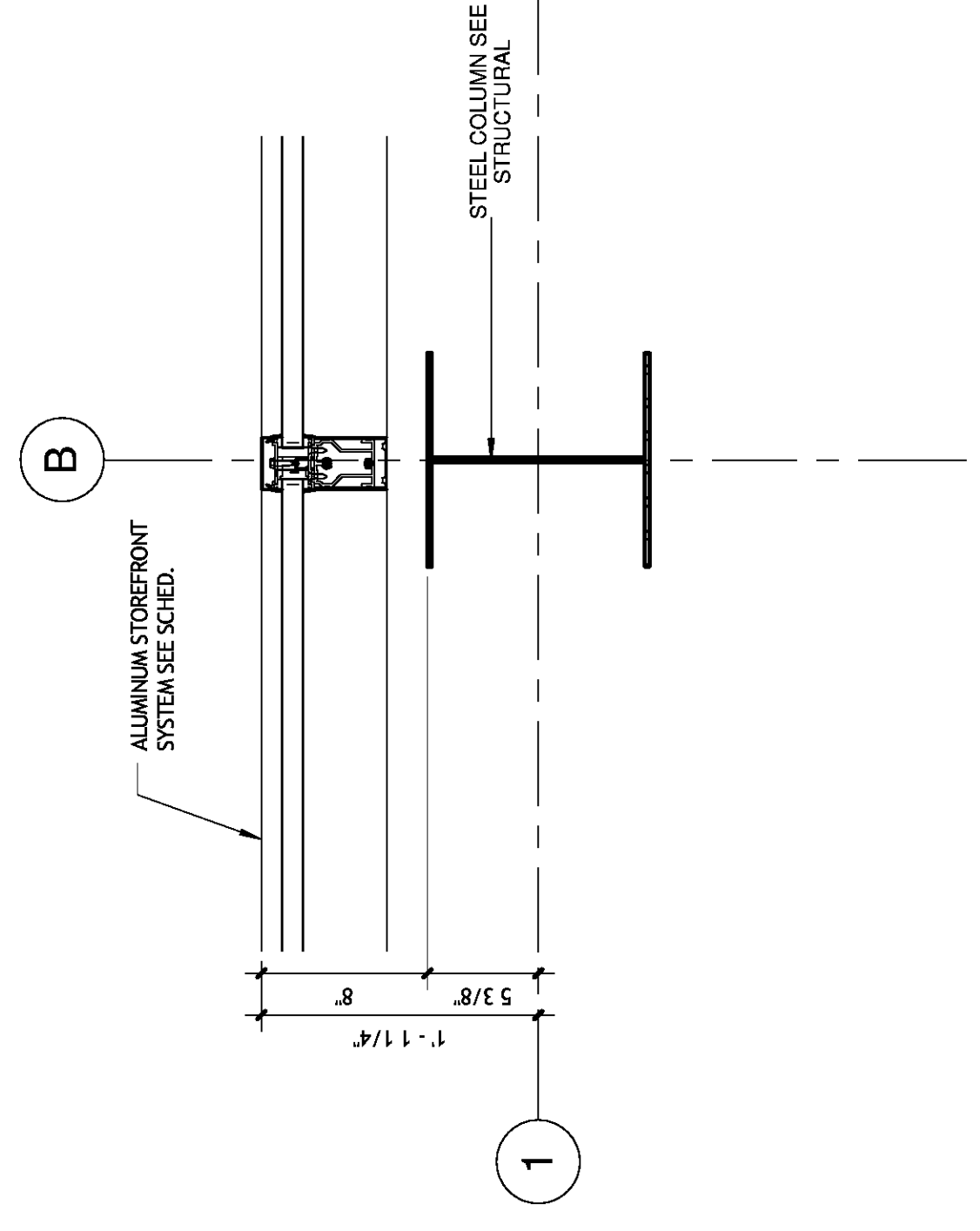
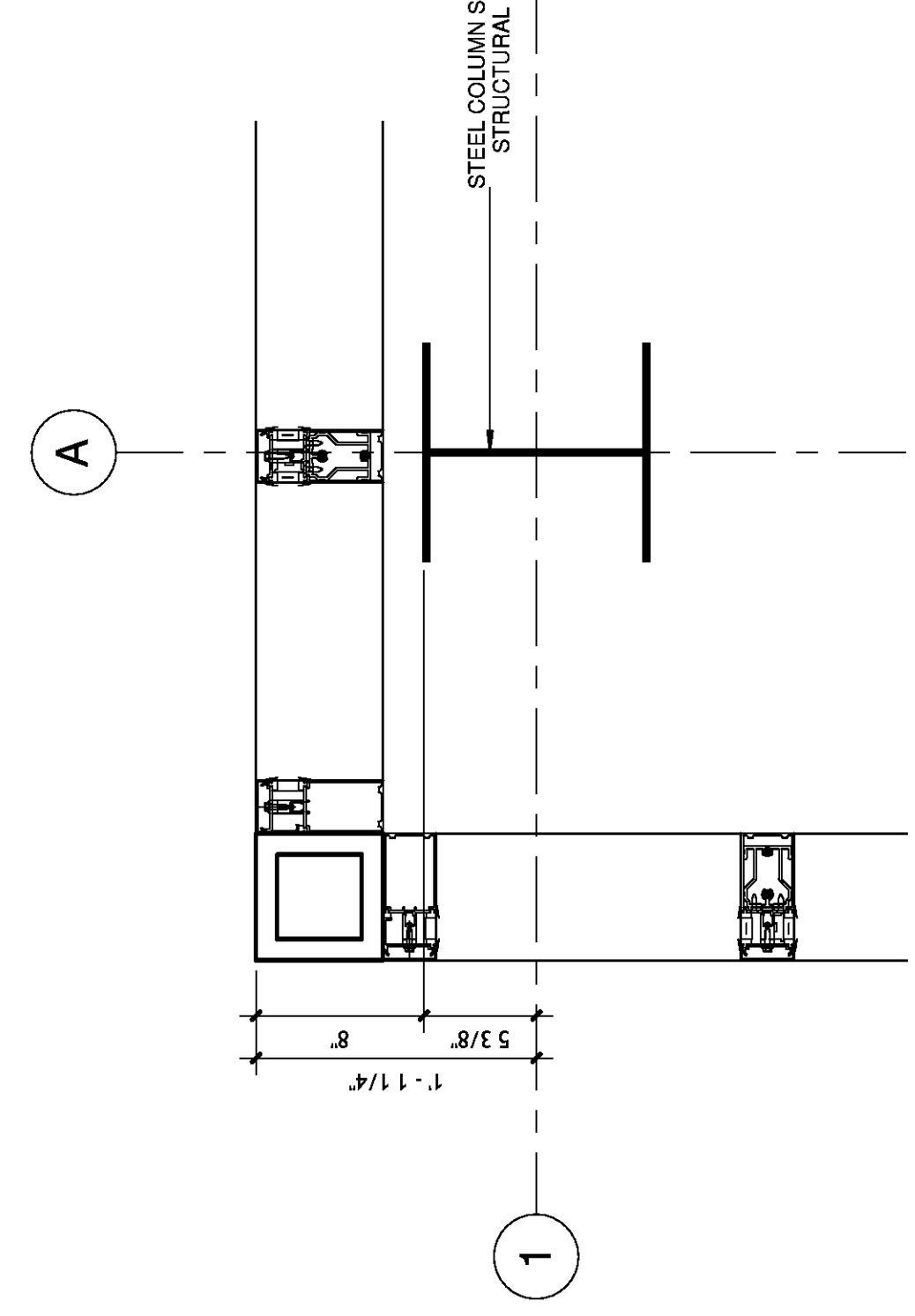


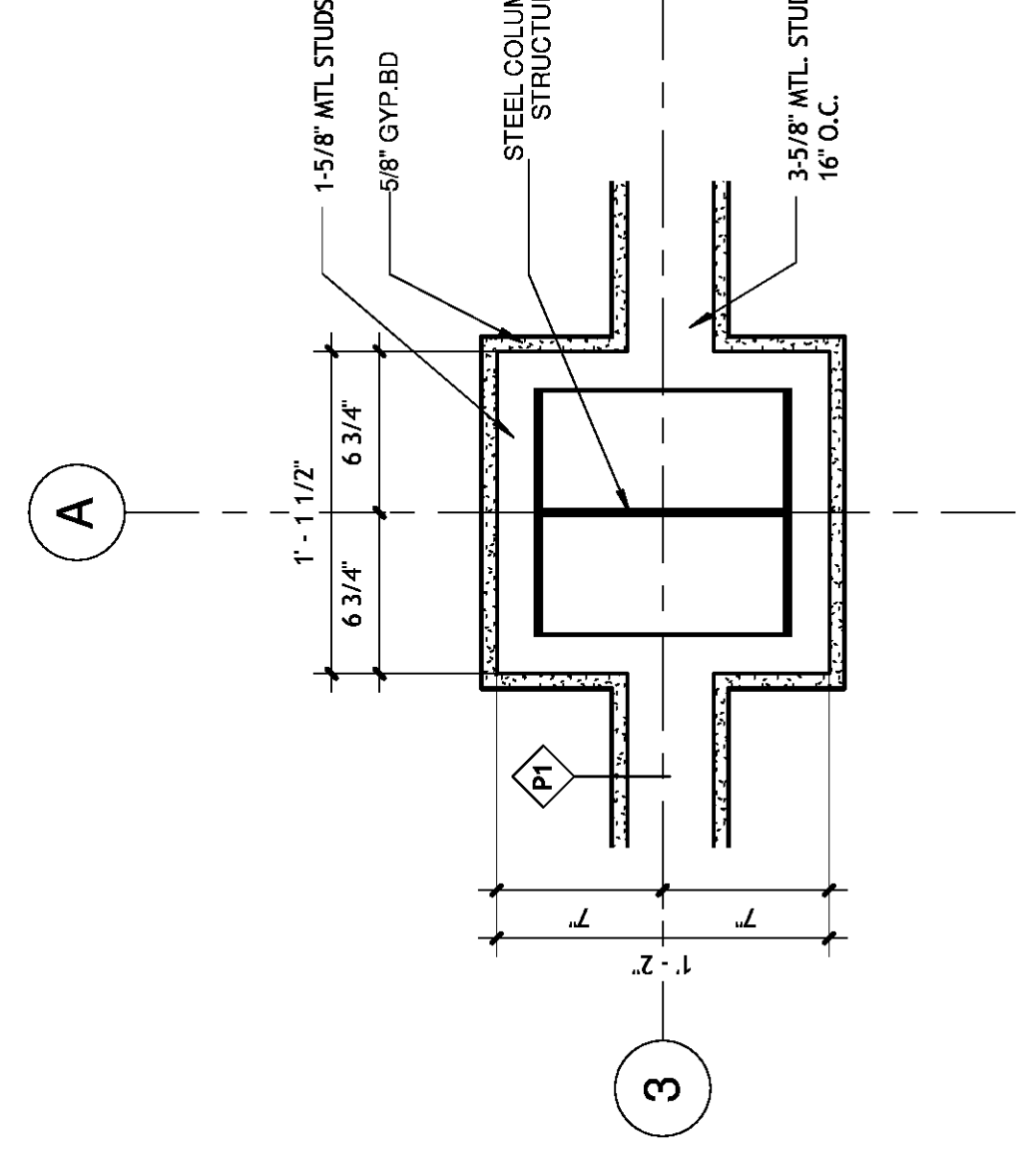
1 PANEL ENDWALL CONDITION
AZ53 1/12" = 1'-0"



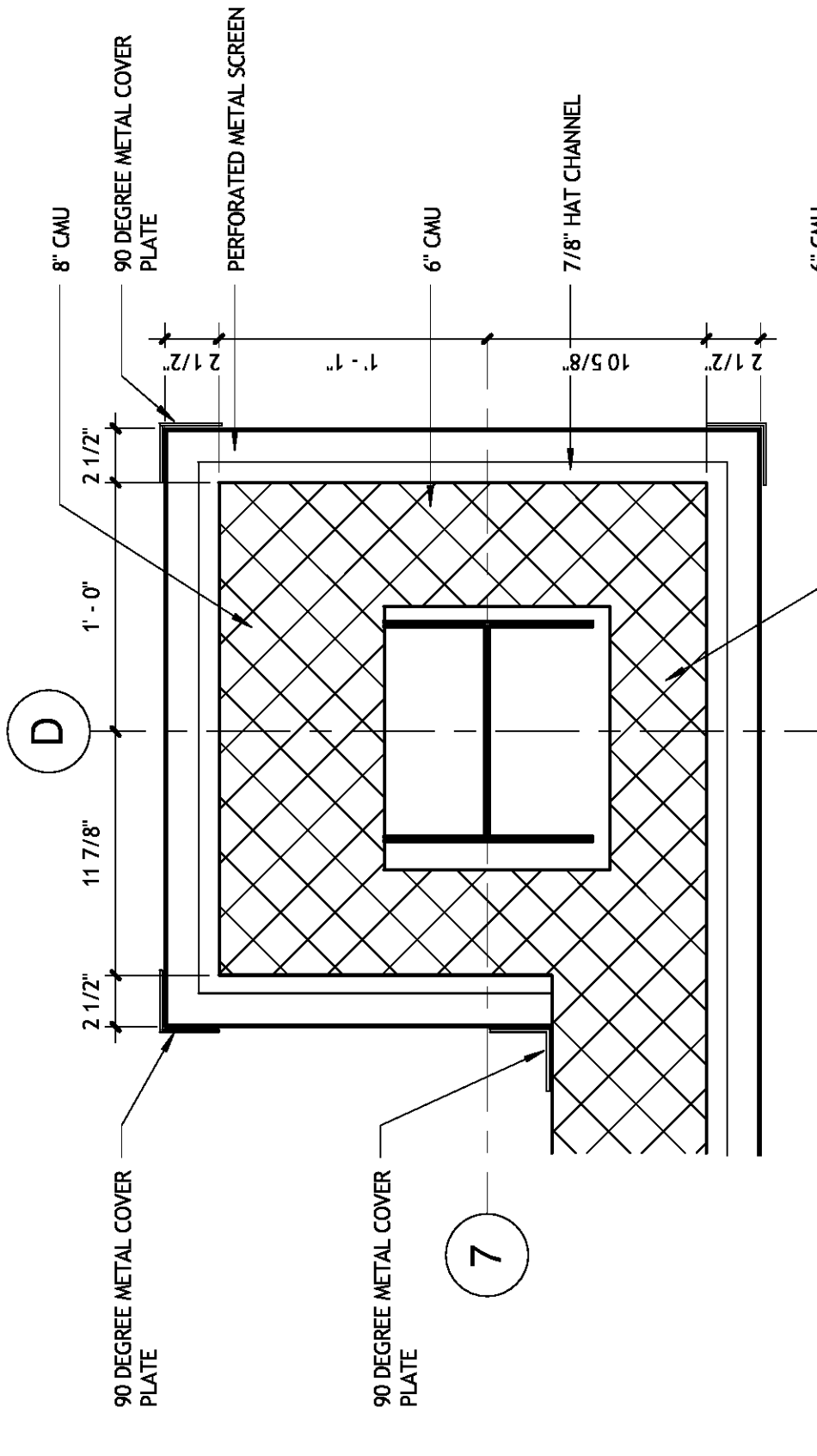
3 COLUMN DETAIL
AZ53 1/12" = 1'-0"



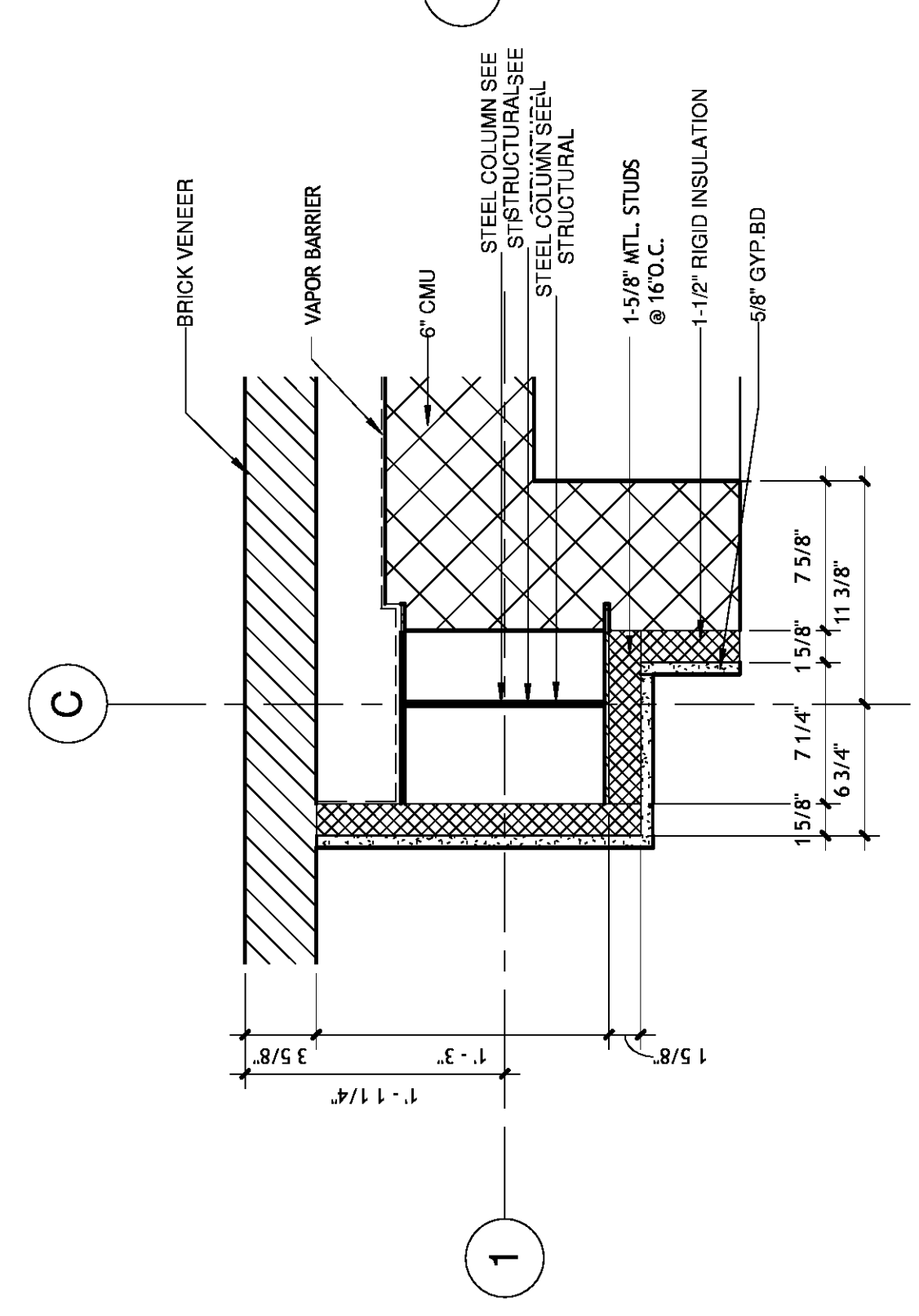
7 COLUMN DETAIL
AZ53 1/12" = 1'-0"



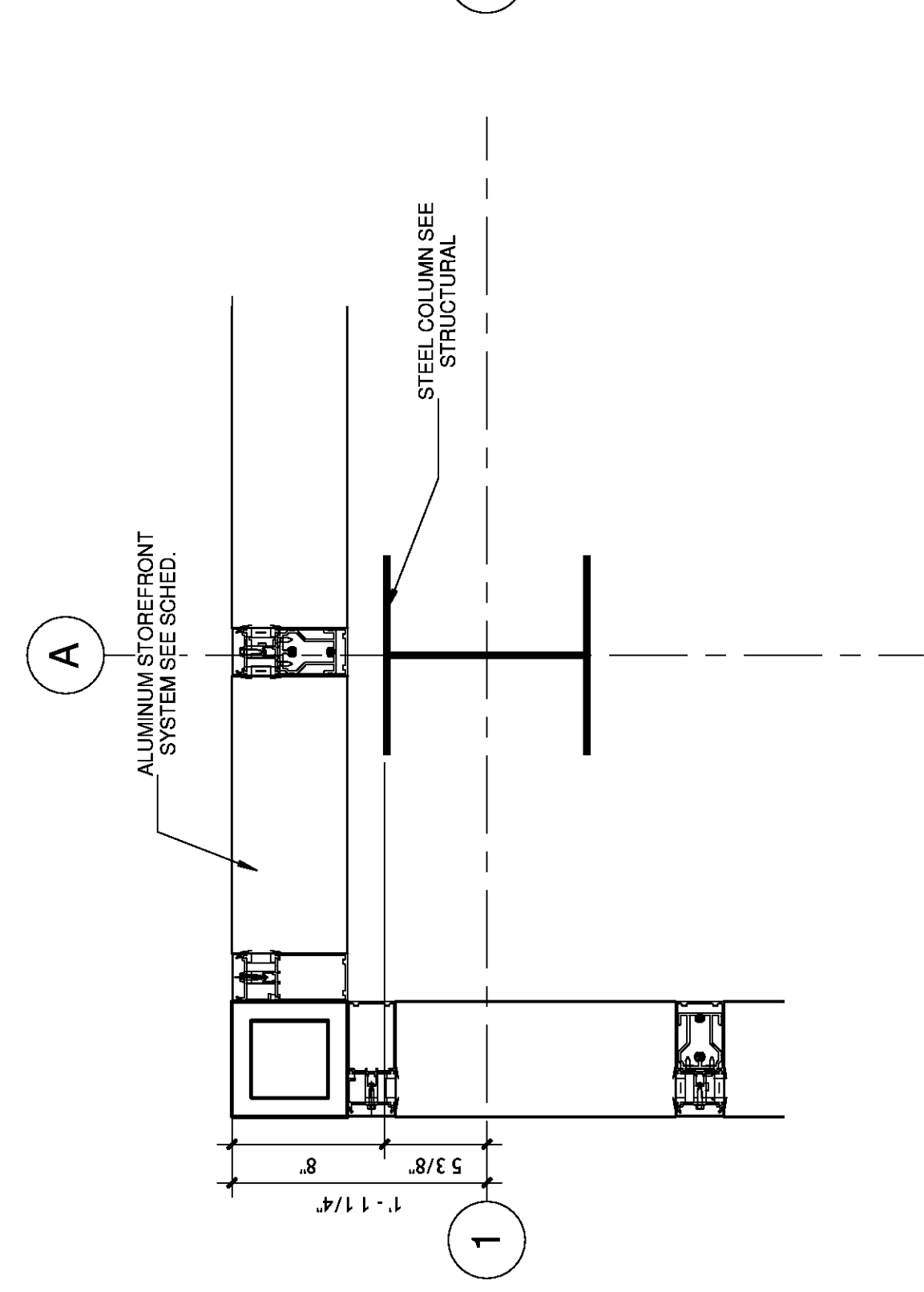
11 COLUMN DETAIL
AZ53 1/12" = 1'-0"



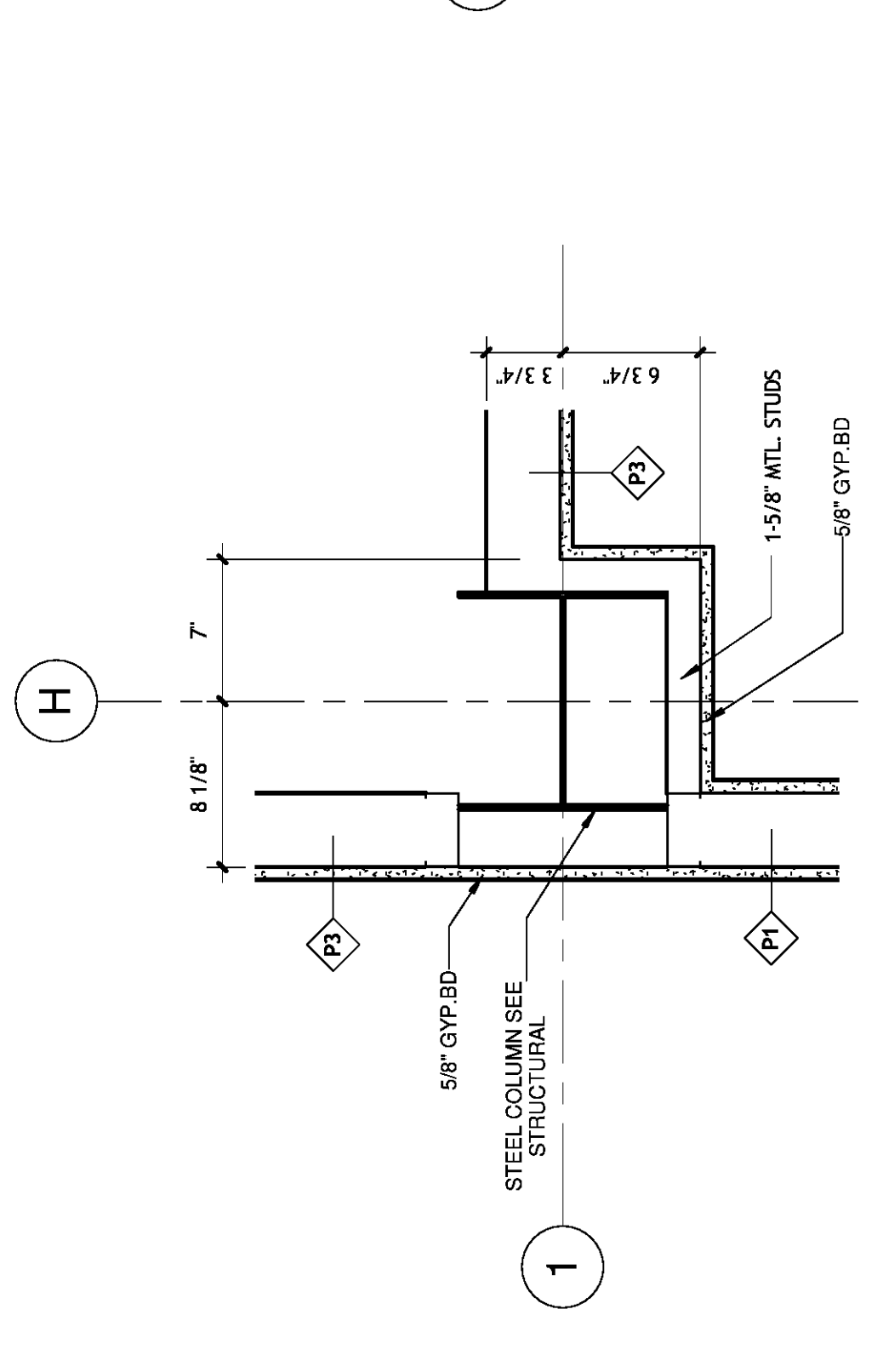
2 COLUMN DETAIL
AZ53 1/12" = 1'-0"



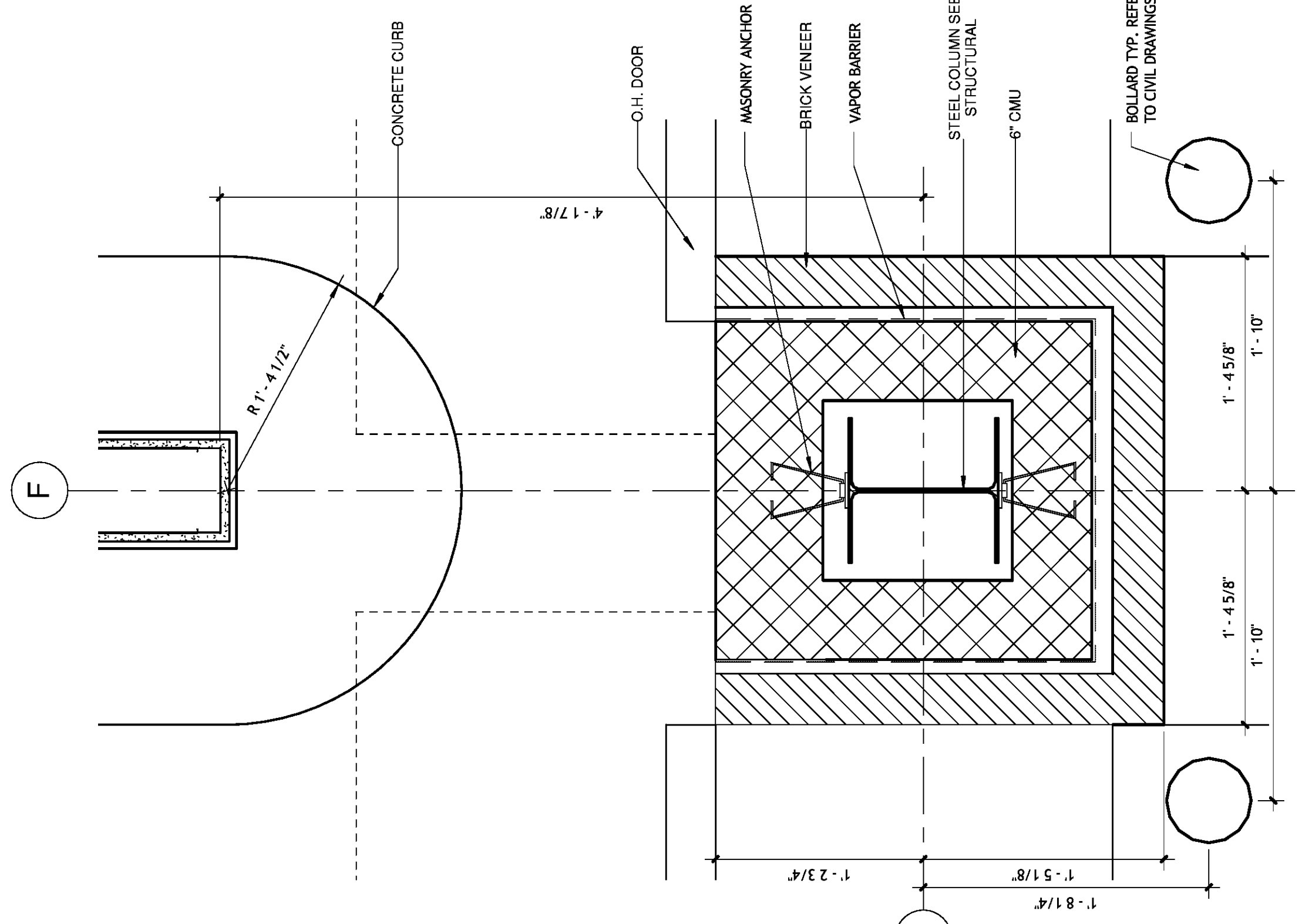
4 COLUMN DETAIL
AZ53 1/12" = 1'-0"



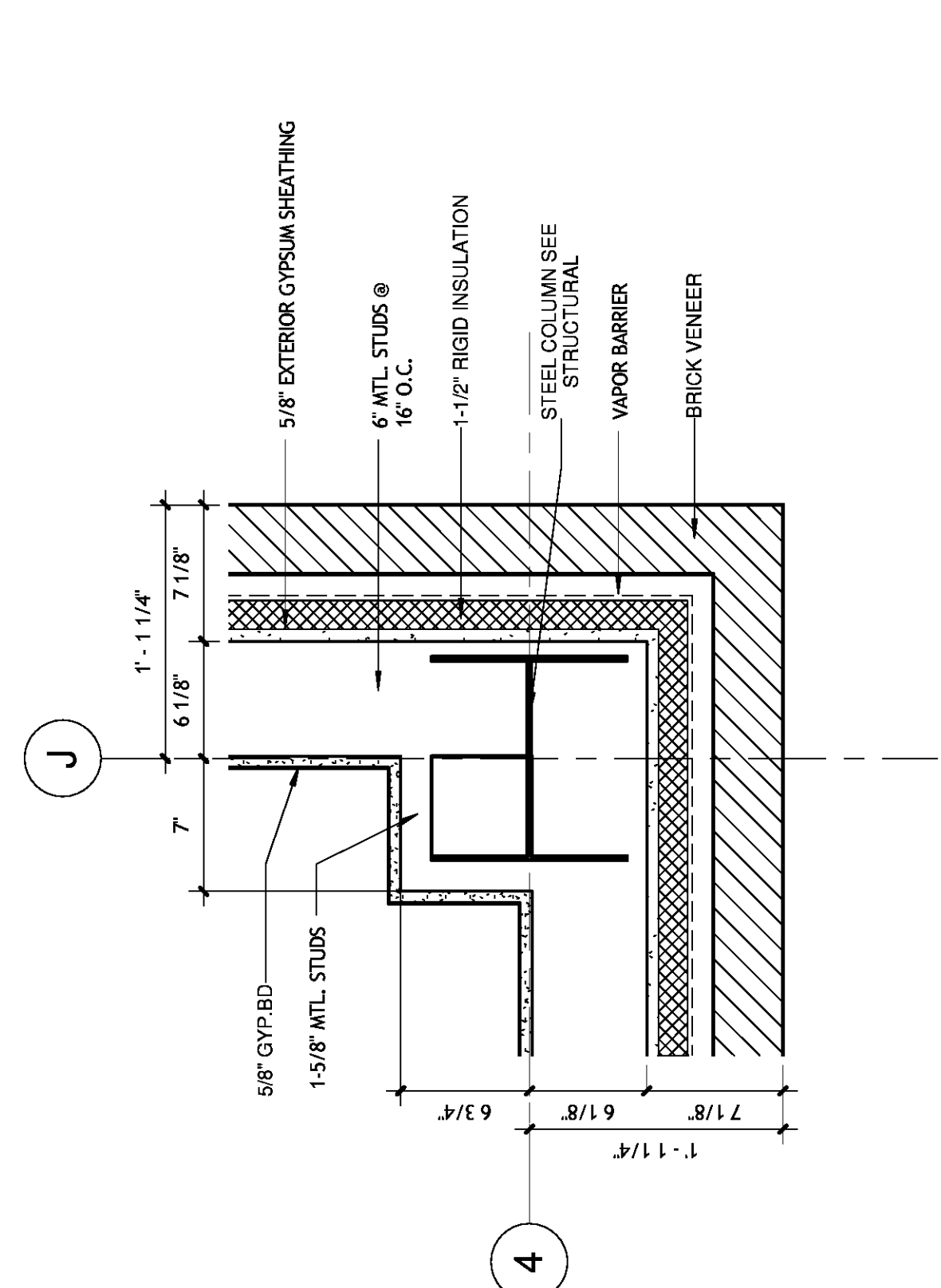
8 COLUMN DETAIL
AZ53 1/12" = 1'-0"



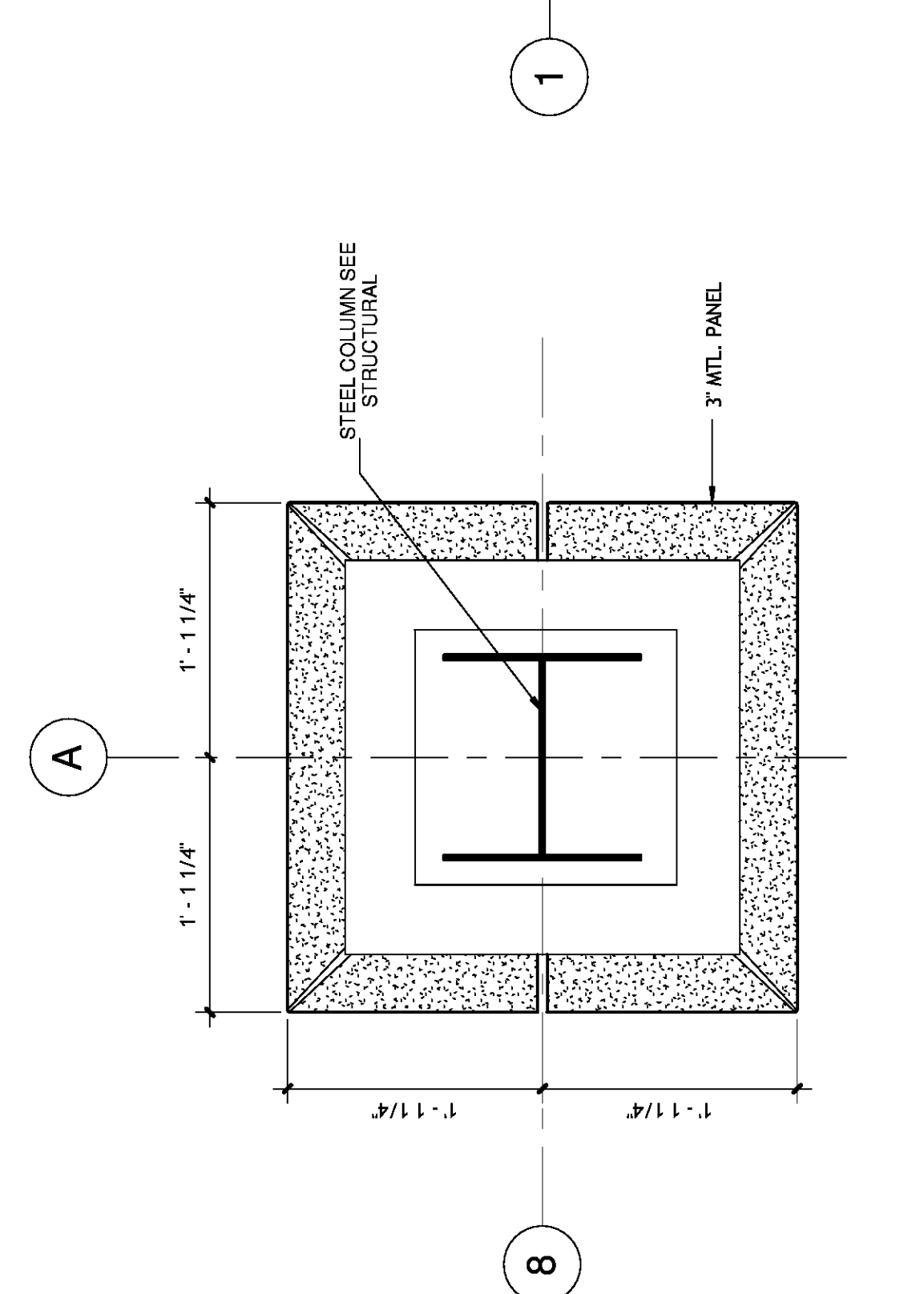
12 COLUMN DETAIL
AZ53 1/12" = 1'-0"



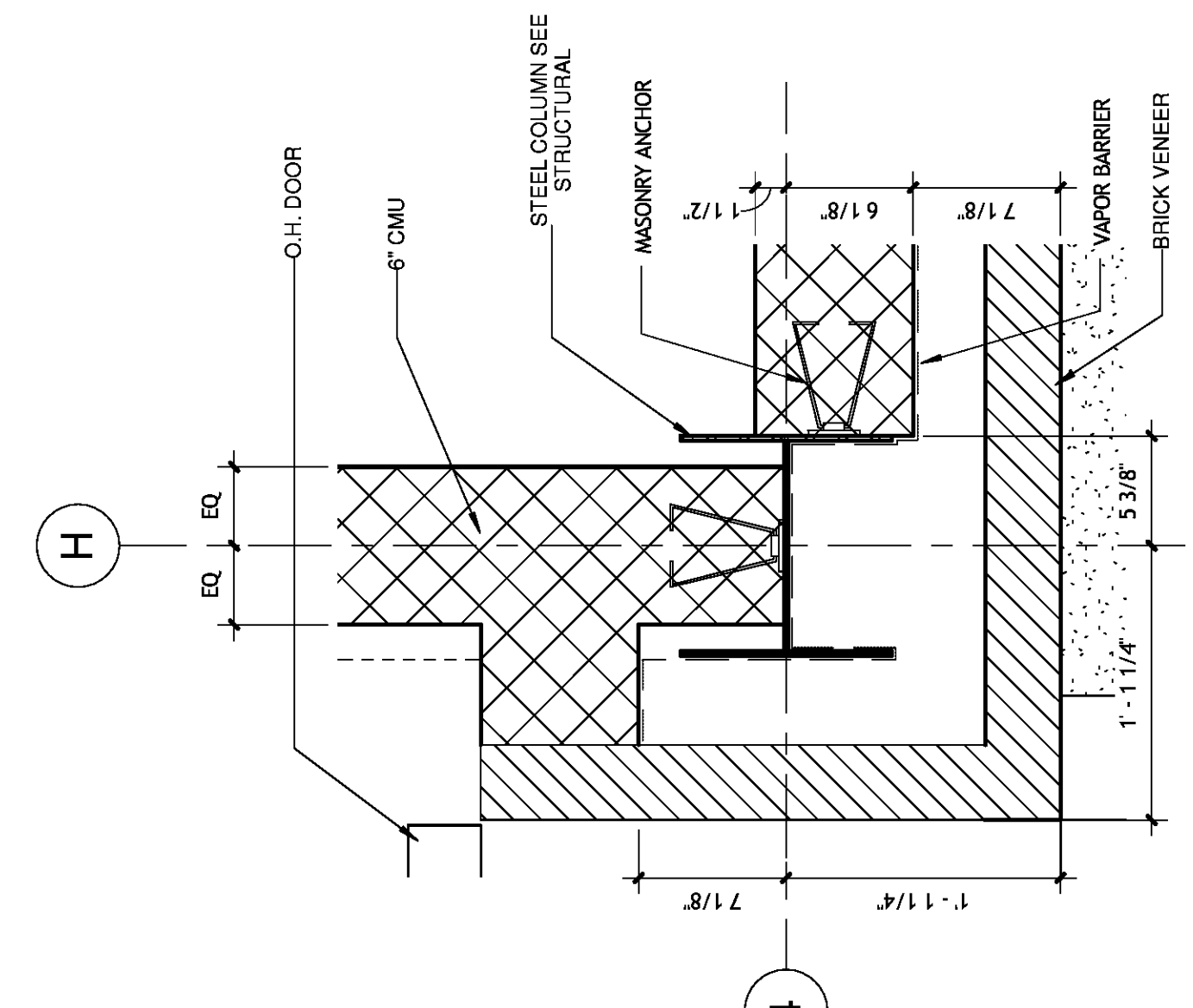
5 COLUMN DETAIL
AZ53 1/12" = 1'-0"



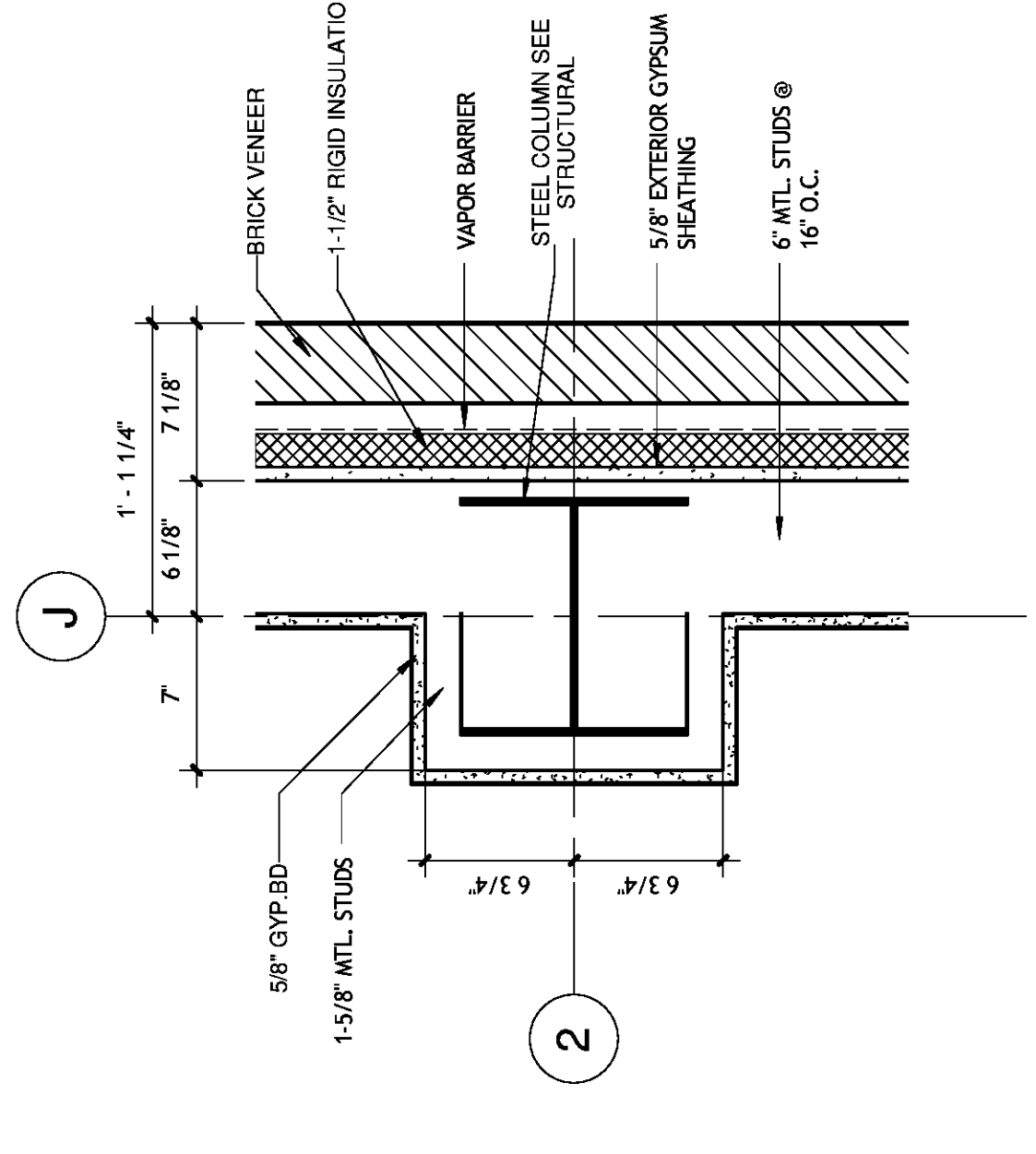
9 COLUMN DETAIL
AZ53 1/12" = 1'-0"



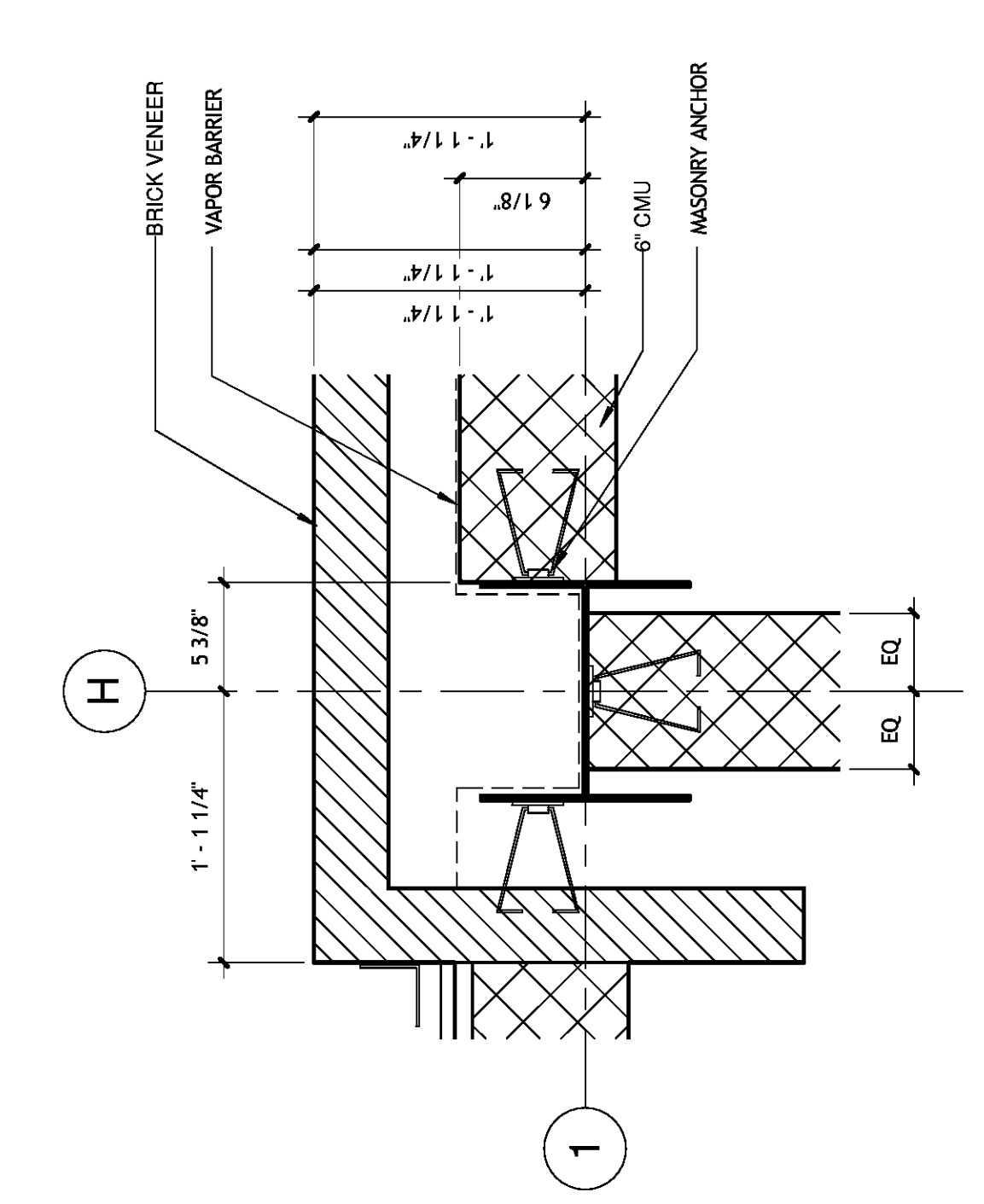
13 COLUMN DETAIL
AZ53 1/12" = 1'-0"



6 COLUMN DETAIL
AZ53 1/12" = 1'-0"



10 COLUMN DETAIL
AZ53 1/12" = 1'-0"



14 COLUMN DETAIL
AZ53 1/12" = 1'-0"

SIZELER THOMPSON BROWN ARCHITECTS
PROJECT DESIGN GROUP
300 LA VETTE STREET, SUITE 200
THIBODOUXVILLE, LOUISIANA 70150
THOMAS BROWN ARCHITECTS
(504) 323-6472 FAX (504) 529-1181

No.	Revisions	Description	Date

JEFFERSON PARISH SHERIFF'S OFFICE
FOURTH DISTRICT STATION
METAIRIE, LOUISIANA 70003

PLAN DETAILS

File name	Sub-station.rvt	drawing number
Project number	51122.03	
Date	02-25-10	
Phase		CD

A253