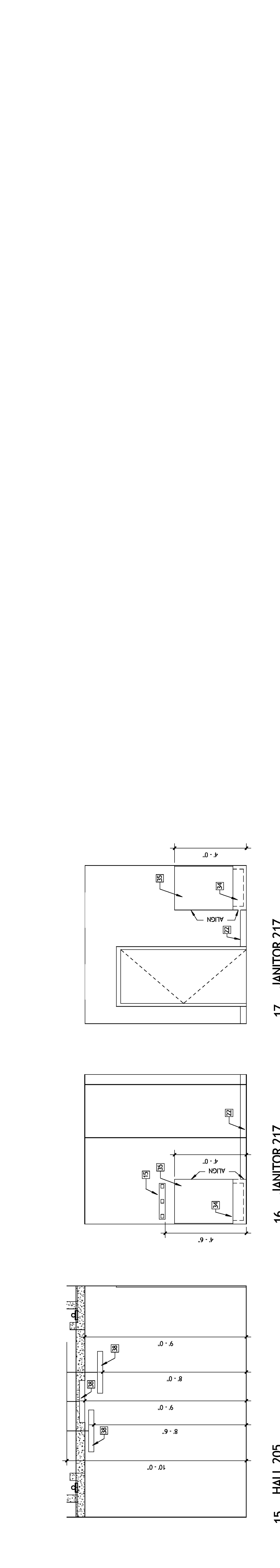
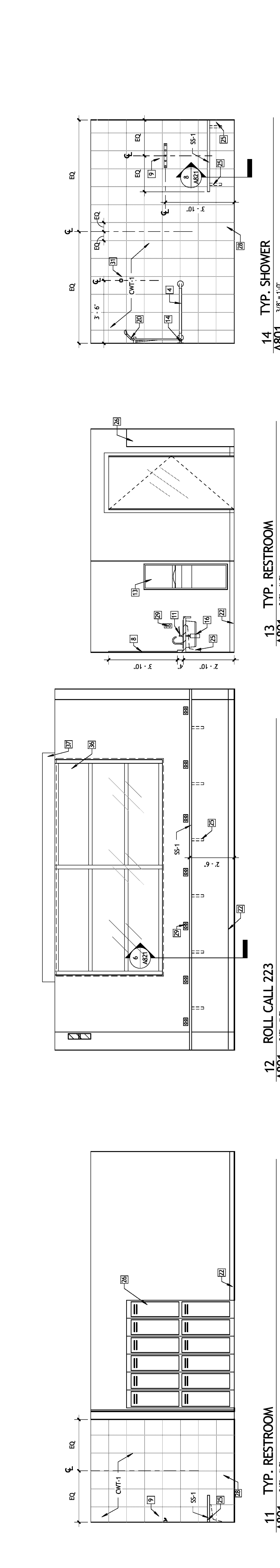
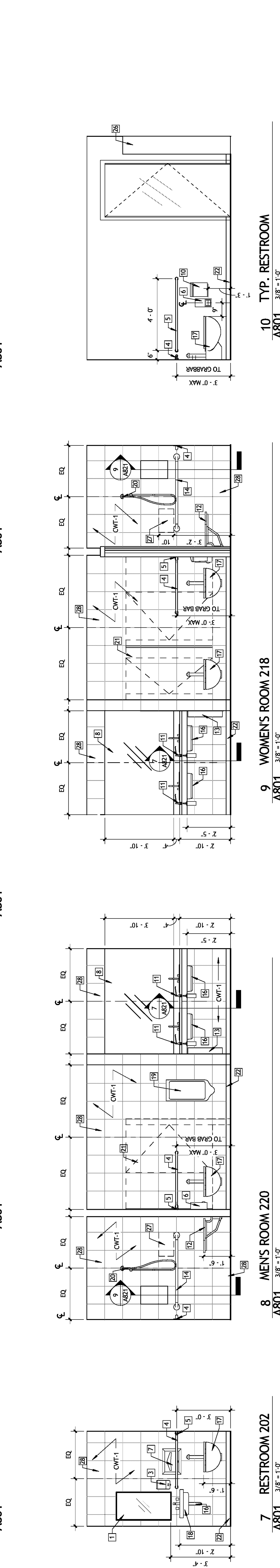
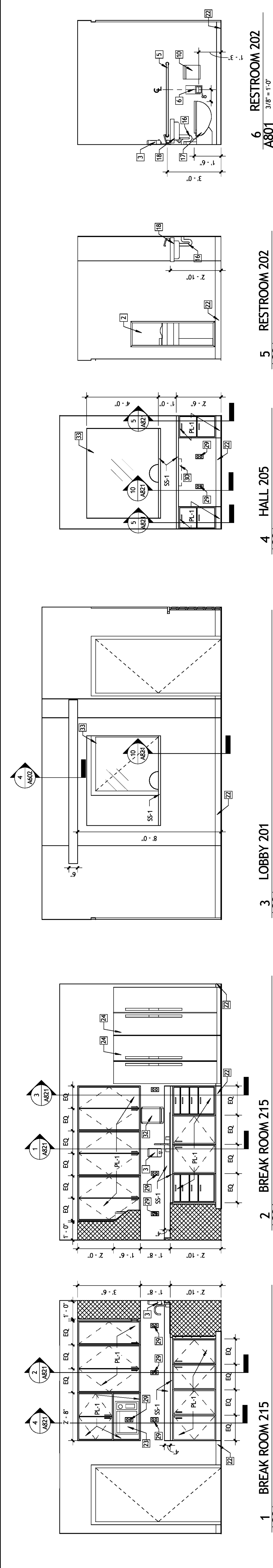


KEY NOTES

1. 18" X 36" MIRROR
2. SURFACE MOUNTED PAPER TOWEL DISPENSER AND TRASH RECEPTACLE
3. SURFACE MOUNTED SOAP DISPENSER
4. 4" GRAB BAR
5. 4" GRAB BAR
6. 4" GRAB BAR
7. RECESSED SEAT COVER DISPENSER
8. MIRROR, SIZE VARIES, V.I.F.
9. BENCH, PERSONAL LOCATED IN WOMEN'S ROOM 219 AND RESTROOM 202 ONLY
10. ADA FOLD DOWN SHOWER SEAT
11. LAVATORY MOUNTED SOAP DISPENSER
12. 48" GRAB BAR
13. 48" GRAB BAR
14. 48" GRAB BAR
15. MOP AND BROOM HOLDER
16. WALL MOUNTED SHOWER HEAD
17. WALL MOUNTED TOILET
18. WALL MOUNTED LAVATORY
19. SCHEDULED BASE
20. TOILET PARTITIONS: SEE SPECIFICATIONS
21. REFRIGERATOR, OTD
22. SUPPLY BRACKET
23. SHOWER CONTROL AREA
24. SHOWER CONTROL AREA
25. SHOWER CONTROL AREA
26. START PATTERN HERE WITH FULL TILE
27. SHOWER CURTAIN ROD AND SHOWER CURTAIN
28. SHOWER CURTAIN ROD AND SHOWER CURTAIN
29. SURFACE MOUNTED PAPER TOWEL DISPENSER
30. SURFACE MOUNTED SOAP DISPENSER
31. 1 COMPARTMENT MOP SINK
32. PLASTIC LAMINATE ON 1/2" PLYWOOD, PL-2, LAMINATE ALL EXPOSED EDGES OF
33. PLASTIC LAMINATE ON 1/2" PLYWOOD, PL-2, LAMINATE ALL EXPOSED EDGES OF
34. PLASTIC LAMINATE ON 1/2" PLYWOOD, PL-2, LAMINATE ALL EXPOSED EDGES OF
35. PLASTIC LAMINATE ON 1/2" PLYWOOD, PL-2, LAMINATE ALL EXPOSED EDGES OF
36. ROLLER SHADE POCKET, MOUNTED ABOVE CEILING: SEE SPECIFICATIONS.
37. RECESSED LIGHT FIXTURES, COORDINATE WITH ELECTRICAL DRAWINGS AND SPECIFICATIONS
- 38.

NOTE: REFER TO FINISH PLANS FOR MATERIAL DESIGNATIONS



SIZELER THOMPSON BROWN ARCHITECTS
PROJECT DESIGN GROUP
 300 LAFAYETTE STREET, SUITE 200
 NEW ORLEANS, LOUISIANA 70130
 THOMAS BROWN ARCHITECTS
 (504) 523-6472 FAX (504) 529-1181

No.	Revisions	Description	Date

JEFFERSON PARISH SHERIFFS' OFFICE
FOURTH DISTRICT STATION
 METAIRIE, LOUISIANA 70003

INTERIOR ELEVATIONS

File name	Sub-station.rvt
Project number	51122.03
Date	02-25-10
Phase	CD

A801