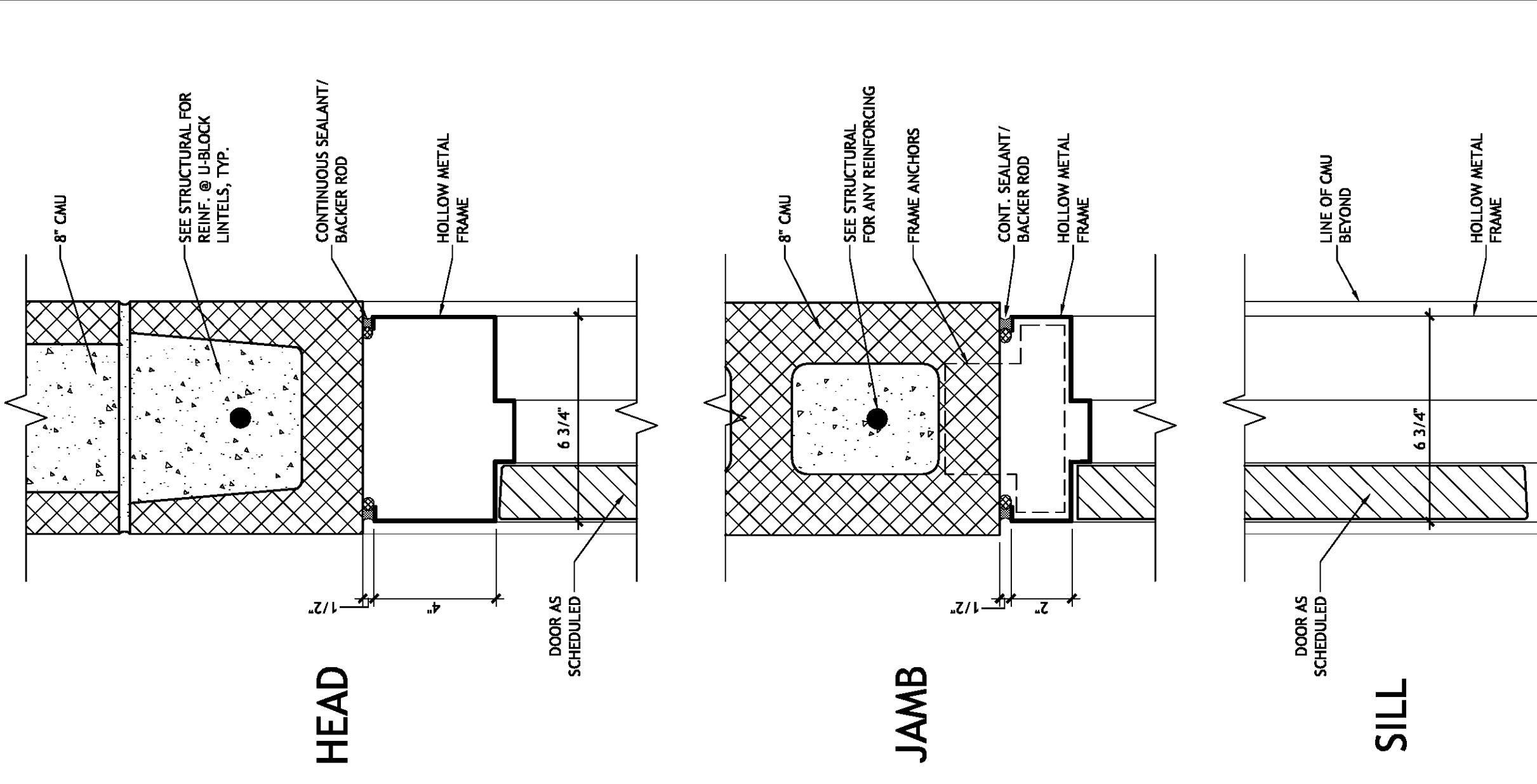
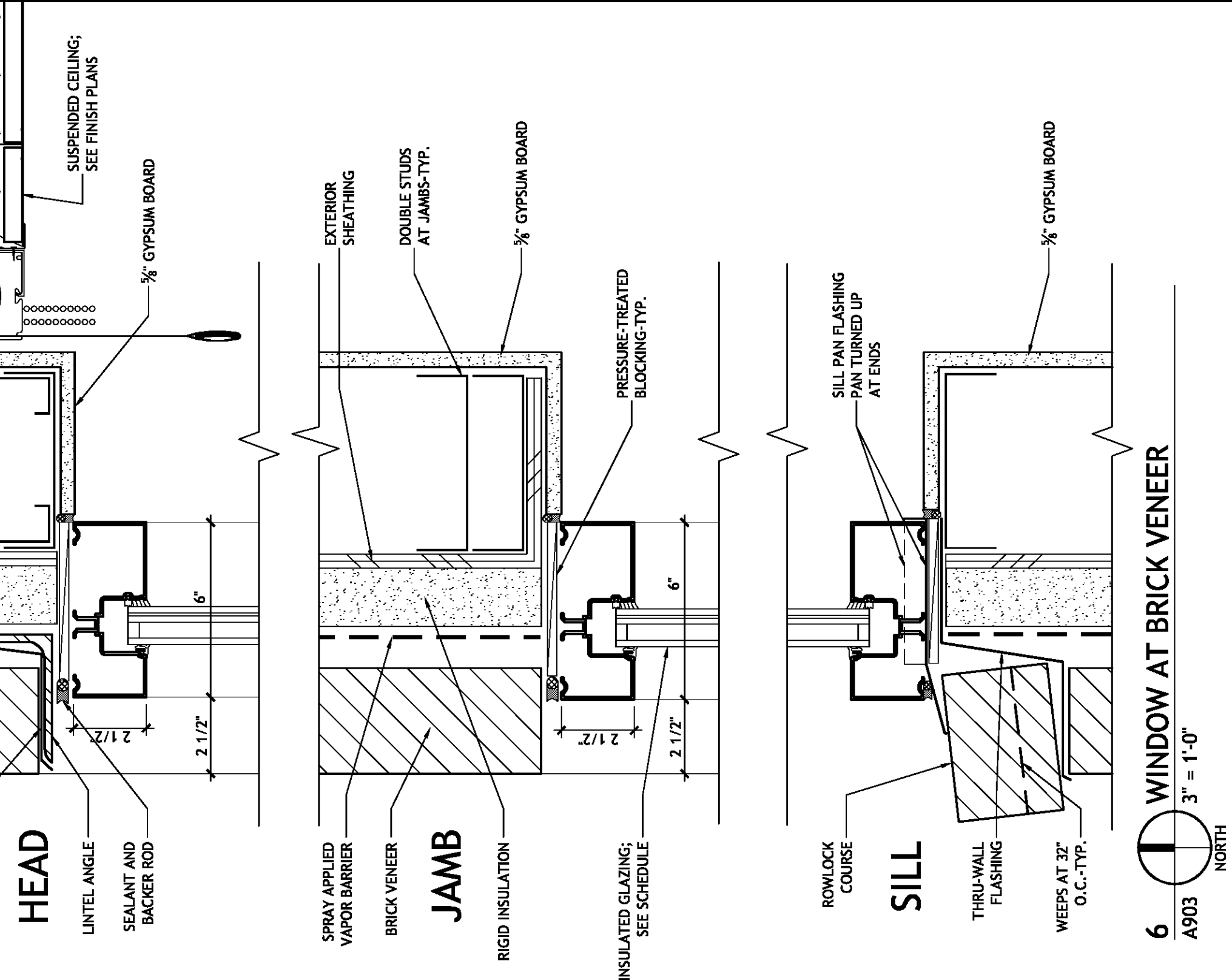


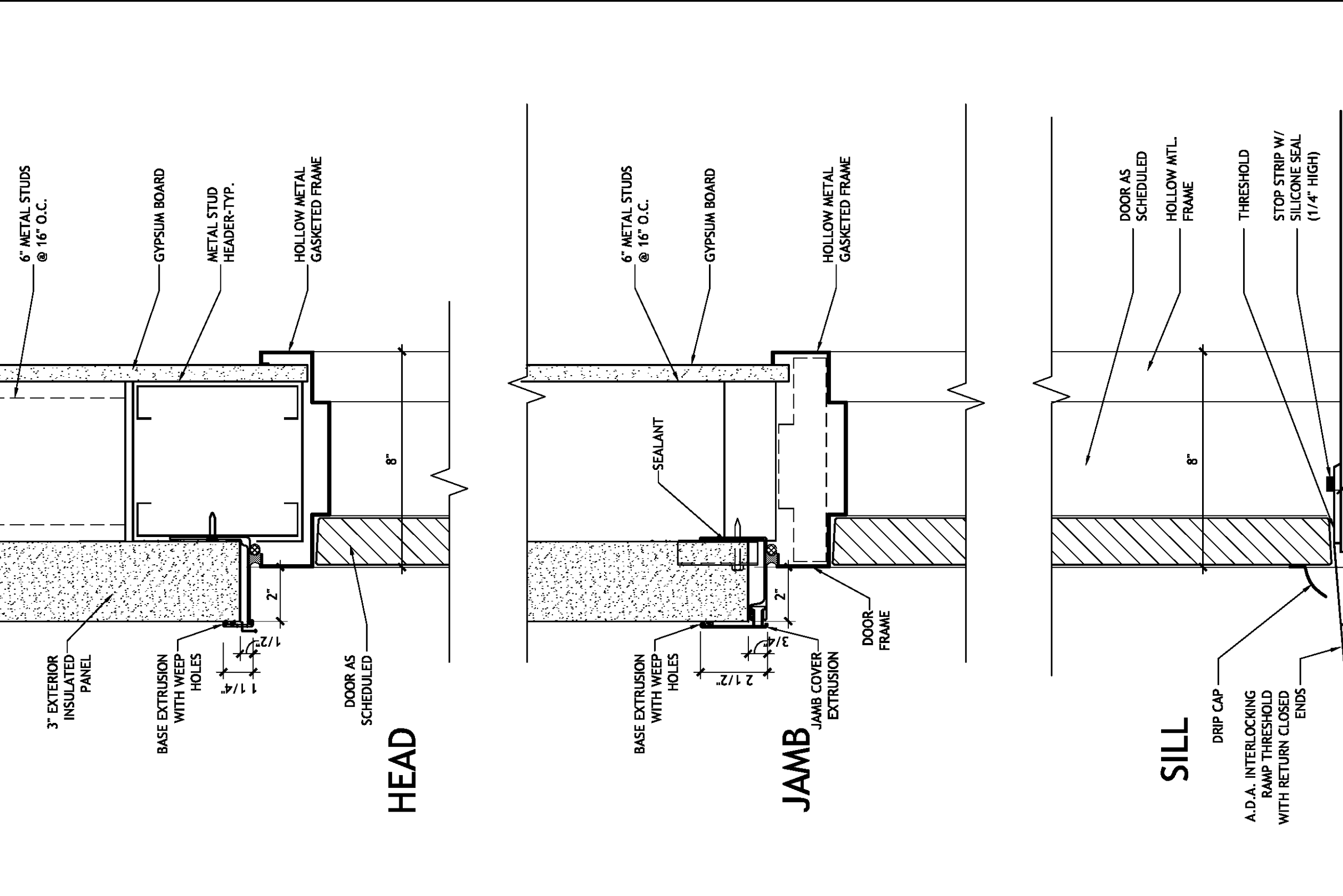
5 WINDOW AT EXT. METAL PANEL
A903 3' = 1'-0"
NORTH



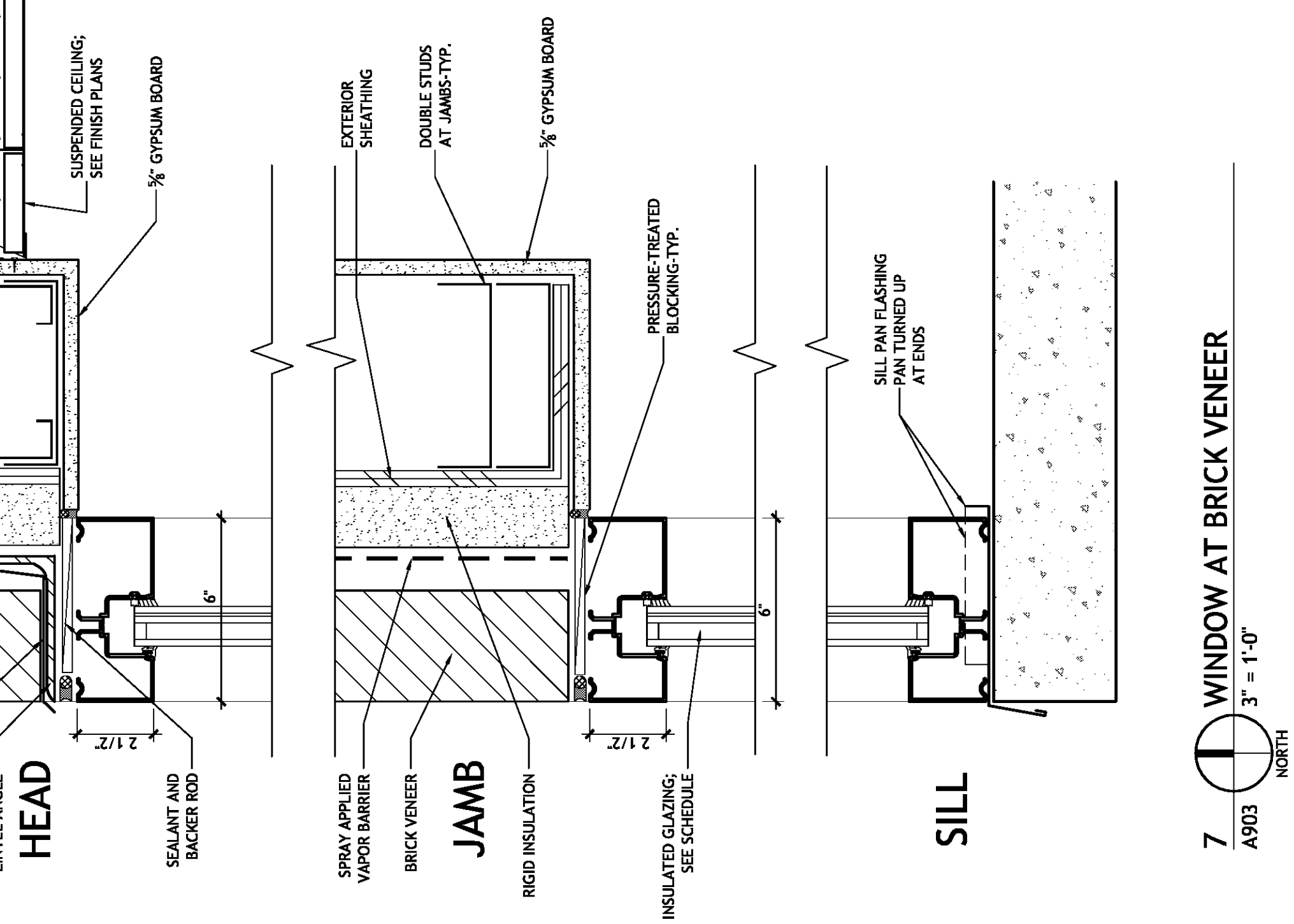
1 EXT. HLW. MTL. @ CMU
A903 3' = 1'-0"
NORTH



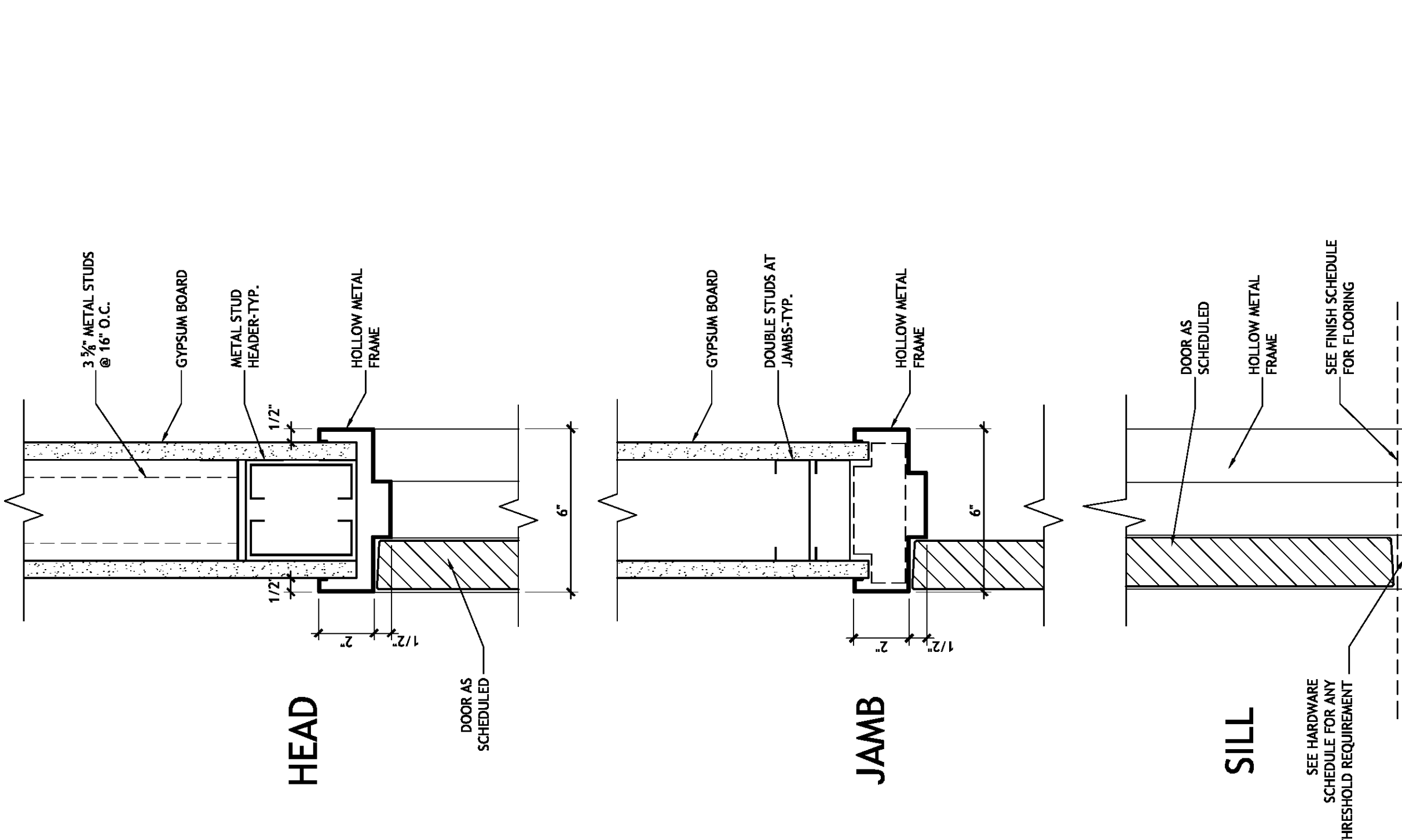
6 WINDOW AT BRICK VENEER
A903 3' = 1'-0"
NORTH



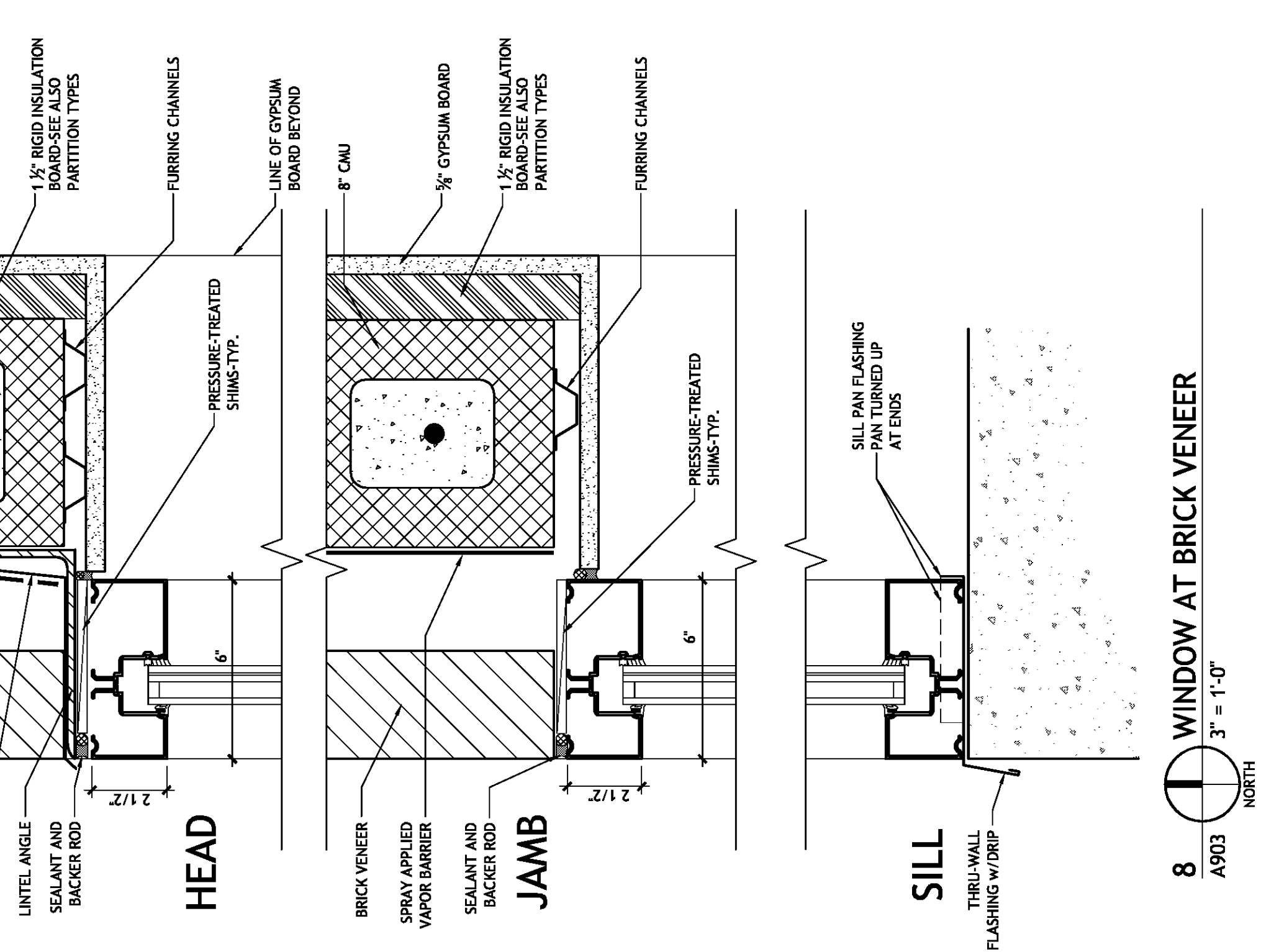
2 EXT. HLW. MTL. @ MTL. STUD
A903 3' = 1'-0"
NORTH



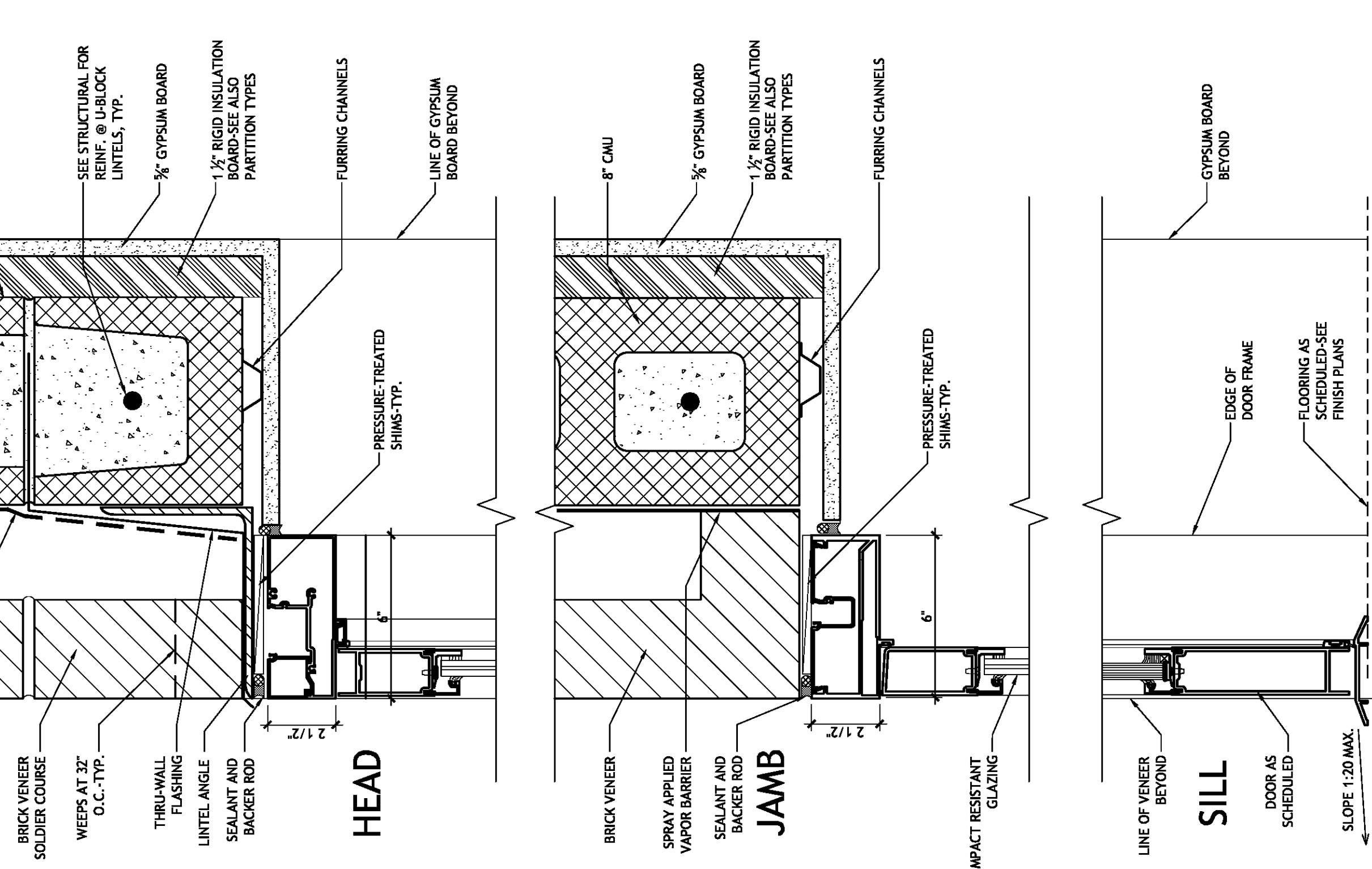
7 WINDOW AT BRICK VENEER
A903 3' = 1'-0"
NORTH



3 INT. HLW. MTL. @ MTL. STUD
A903 3' = 1'-0"
NORTH



8 WINDOW AT BRICK VENEER
A903 3' = 1'-0"
NORTH



4 EXT. ALUMINIUM AT BRICK VENEER
A903 3' = 1'-0"
NORTH

REGIONAL DESIGN GROUP, LLC
300 LAFAYETTE STREET, SUITE 200
NEW ORLEANS, LOUISIANA 70130
(504) 523-6472 FAX (504) 529-1181

THE JEFFERSON PARISH SHERIFF'S OFFICE
6228 AIRLINE DRIVE METAIRIE, LOUISIANA 70003

OPENING DETAILS

NO.	REVISION	DATE
1		
2		
3		
4		
5		

JEFFERSON PARISH SHERIFF'S OFFICE
4TH DISTRICT SUBSTATION
6228 AIRLINE DRIVE METAIRIE, LOUISIANA 70003

file name: A903.dwg
project number: 51122.03
date: 02-25-10
phase: CD

drawing number: A903