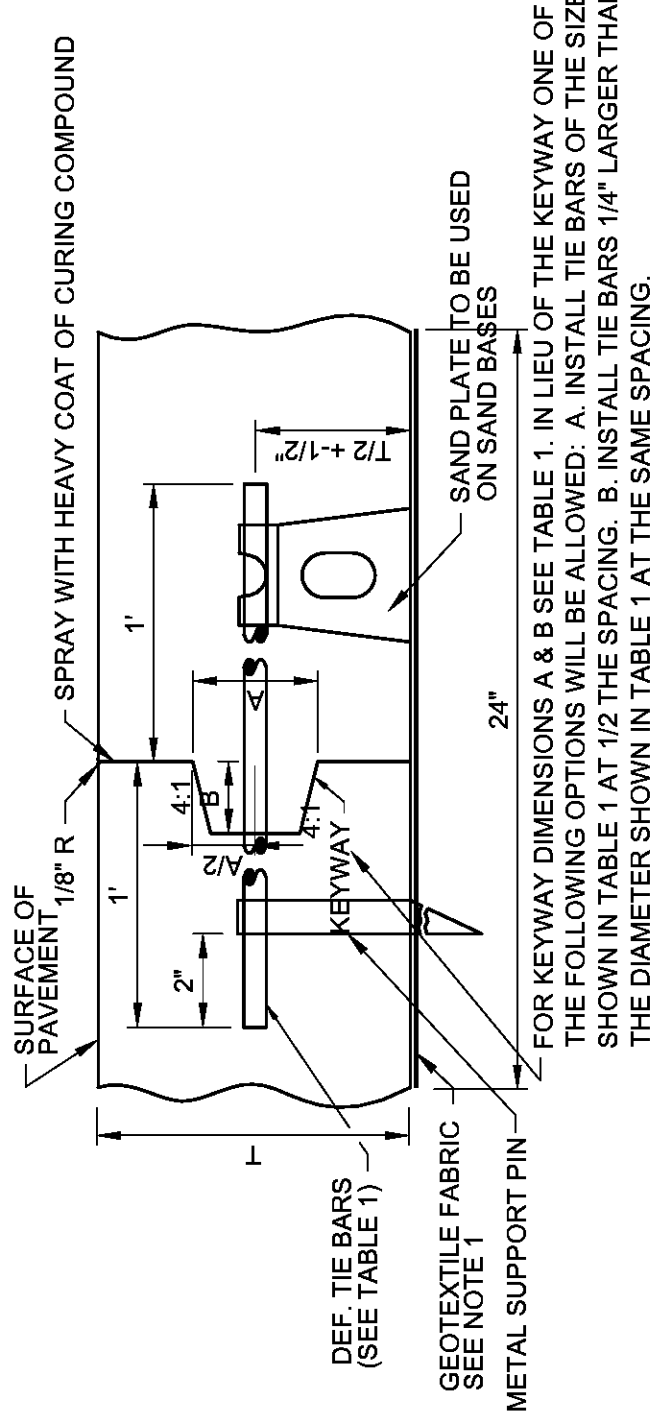


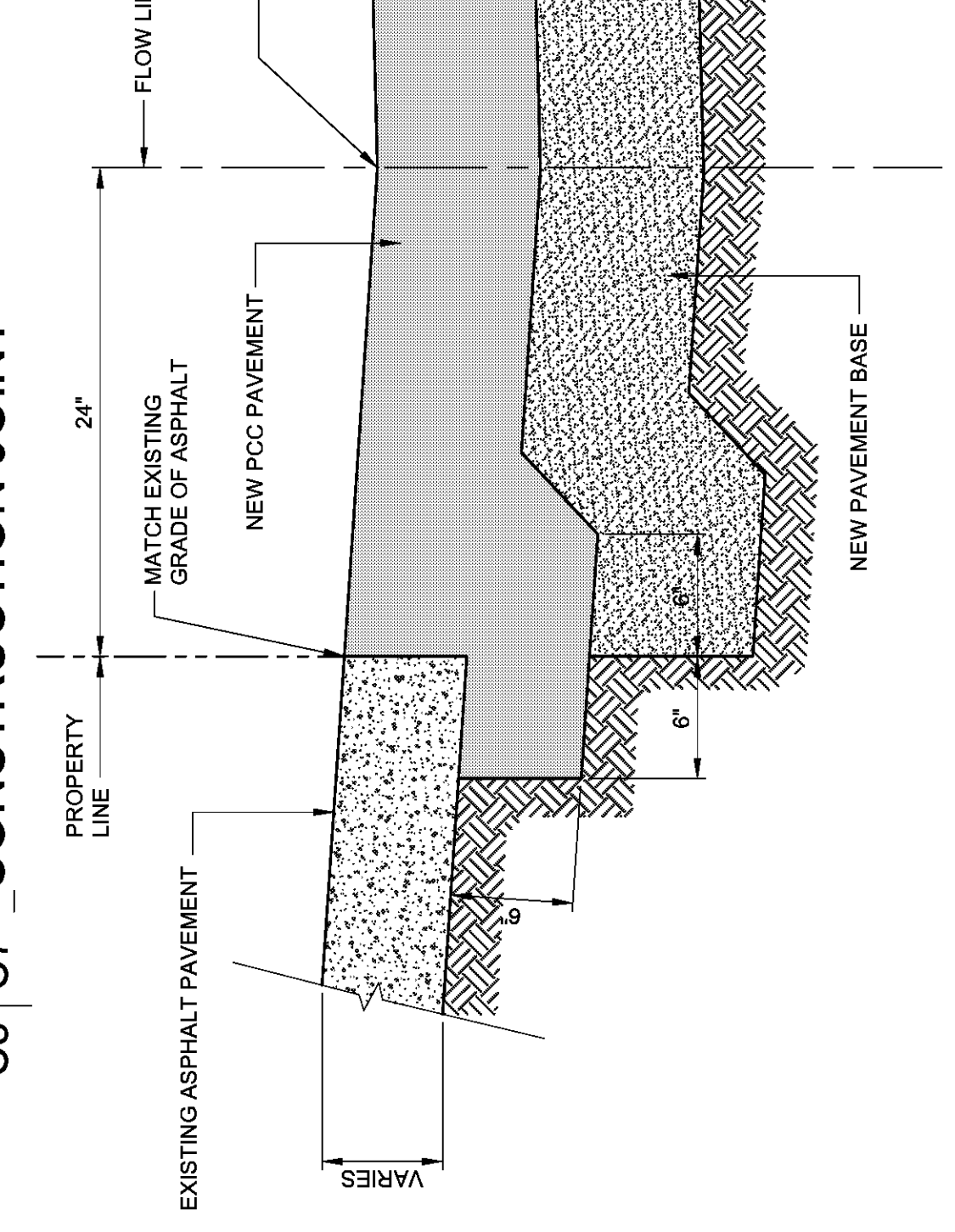
TABLE 1

ALL DIMENSIONS IN INCHES			
PAVEMENT THICKNESS	SMOOTH DOWEL BARS	DEPTH OF JOINT (C1 & C2)	LCJ KEYWAY
T	SIZE	LENGTH	A
2" OR LESS	1 - 18	12	24
3"	1 - 18	12	24
4"	1 - 18	12	24
5"	1 - 18	12	24
6"	1 - 18	12	24
7"	1 - 18	12	24
8"	1 - 18	12	24
9"	1 - 18	12	24
10"	1 - 18	12	24
11"	1 - 18	12	24
12"	1 - 18	12	24
13"	1 - 18	12	24
14"	1 - 18	12	24
15"	1 - 18	12	24
16"	1 - 18	12	24
17"	1 - 18	12	24
18"	1 - 18	12	24
19"	1 - 18	12	24
20"	1 - 18	12	24
21"	1 - 18	12	24
22"	1 - 18	12	24
23"	1 - 18	12	24
24"	1 - 18	12	24
25"	1 - 18	12	24
26"	1 - 18	12	24
27"	1 - 18	12	24
28"	1 - 18	12	24
29"	1 - 18	12	24
30"	1 - 18	12	24
31"	1 - 18	12	24
32"	1 - 18	12	24
33"	1 - 18	12	24
34"	1 - 18	12	24

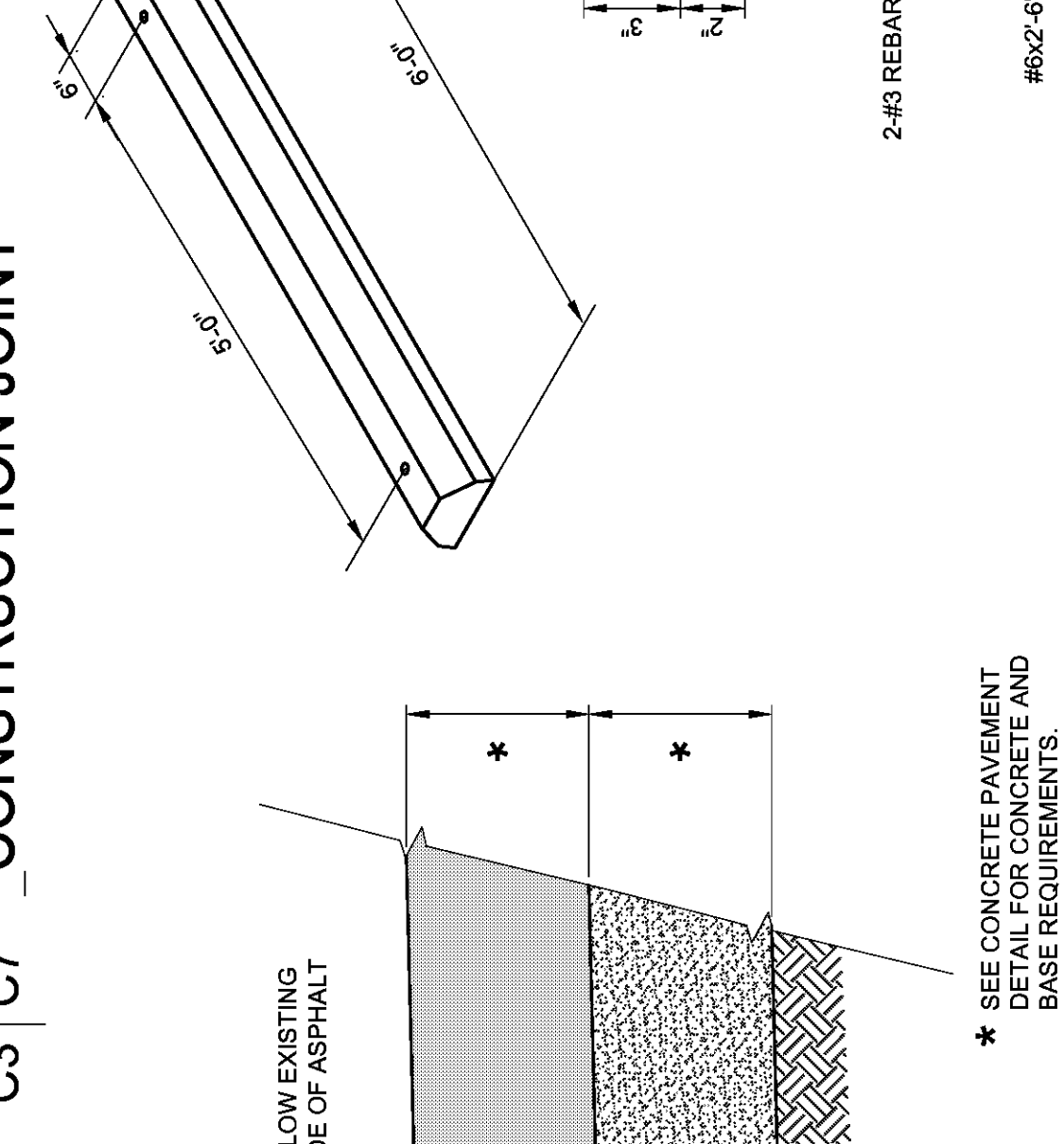


NOTE:
 1. GEOTEXTILE FABRIC PLACED DIRECTLY OVER PREPARED SUBGRADE. FABRIC SHALL COMPLY WITH L.A. D.O.T.D. STANDARD SPEC. SECTION 1019 (2006 EDITION OR LATEST EDITION).
 2. SAND PLATES ARE TO BE USED ON BOTH SIDES OF THE JOINT. ON SAND BASES, METAL SUPPORT PINS MAY BE USED ON BOTH SIDES OF THE JOINT IN OTHER AREAS.

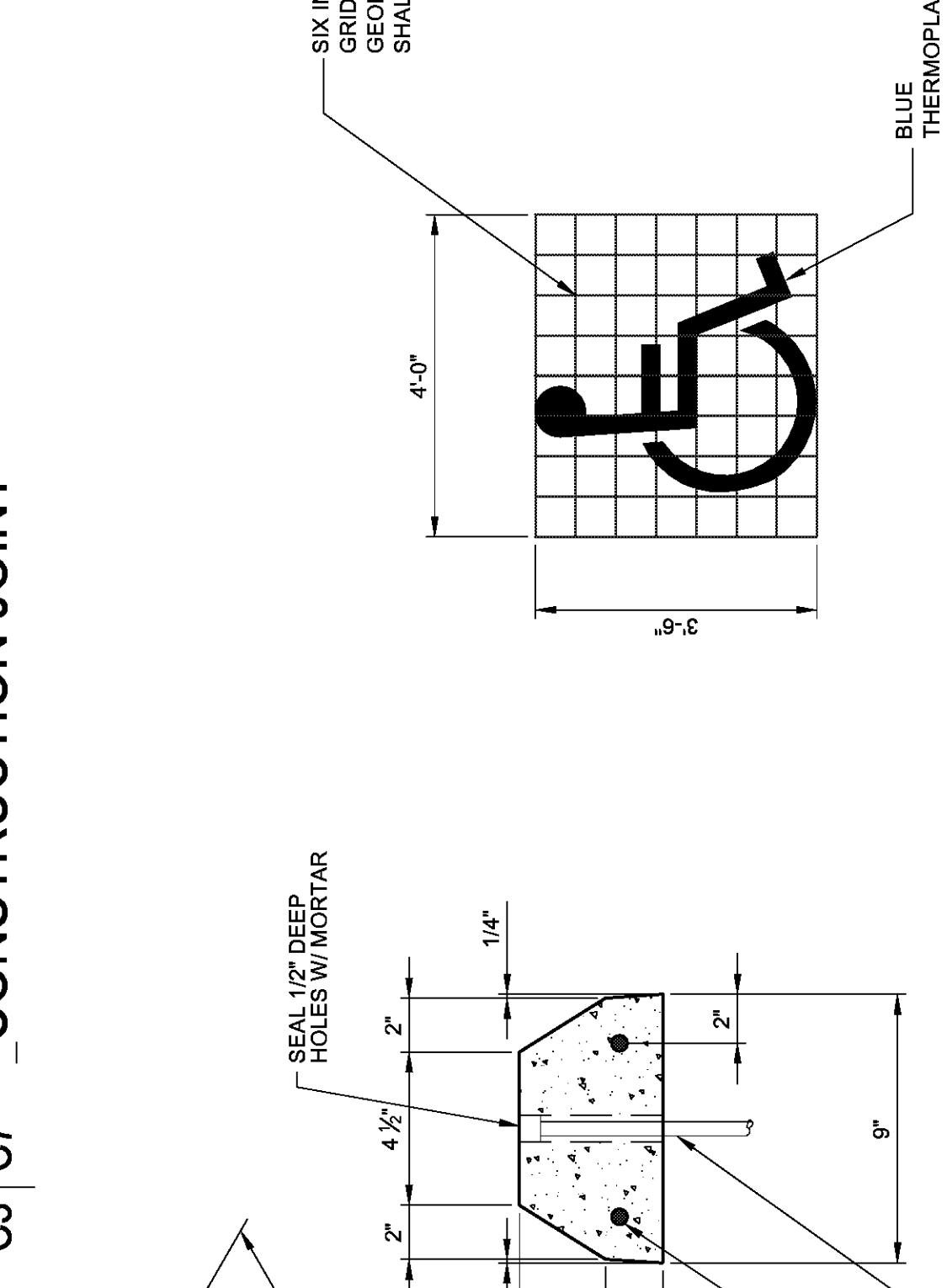
17 TYPE LCJ CONSTRUCTION JOINT



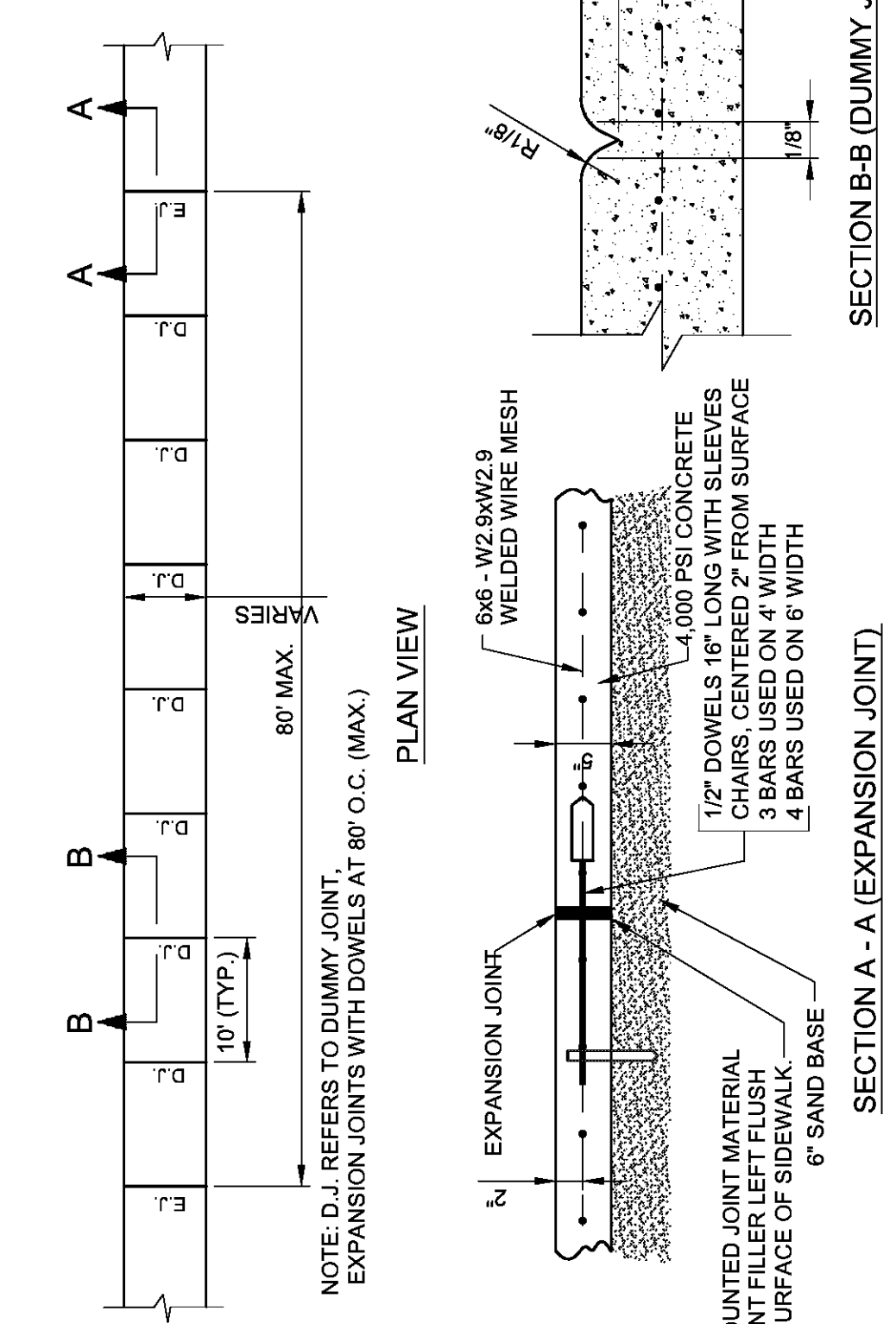
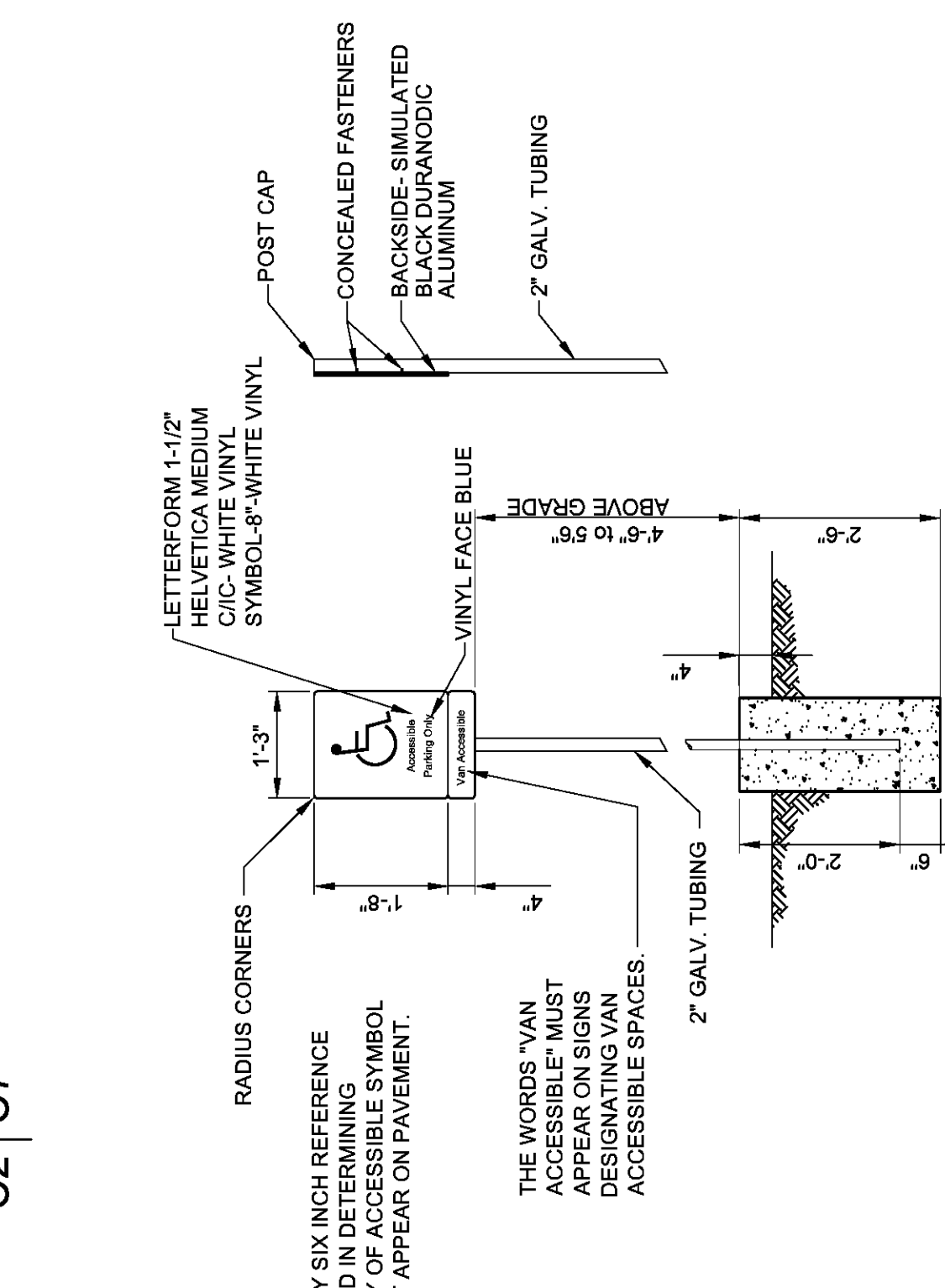
18 TYPE CJ CONSTRUCTION JOINT



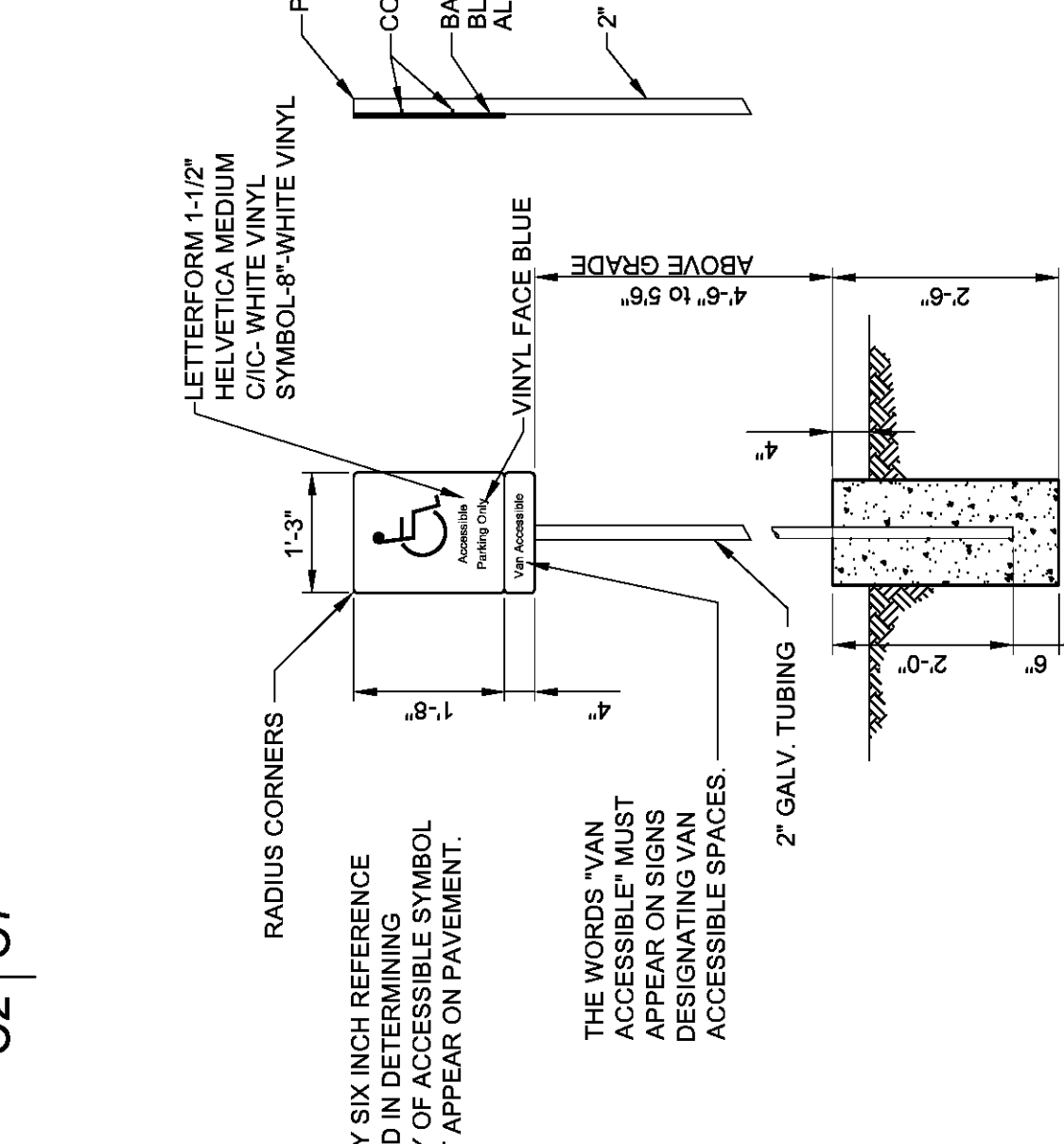
19 TYPE BJ CONSTRUCTION JOINT



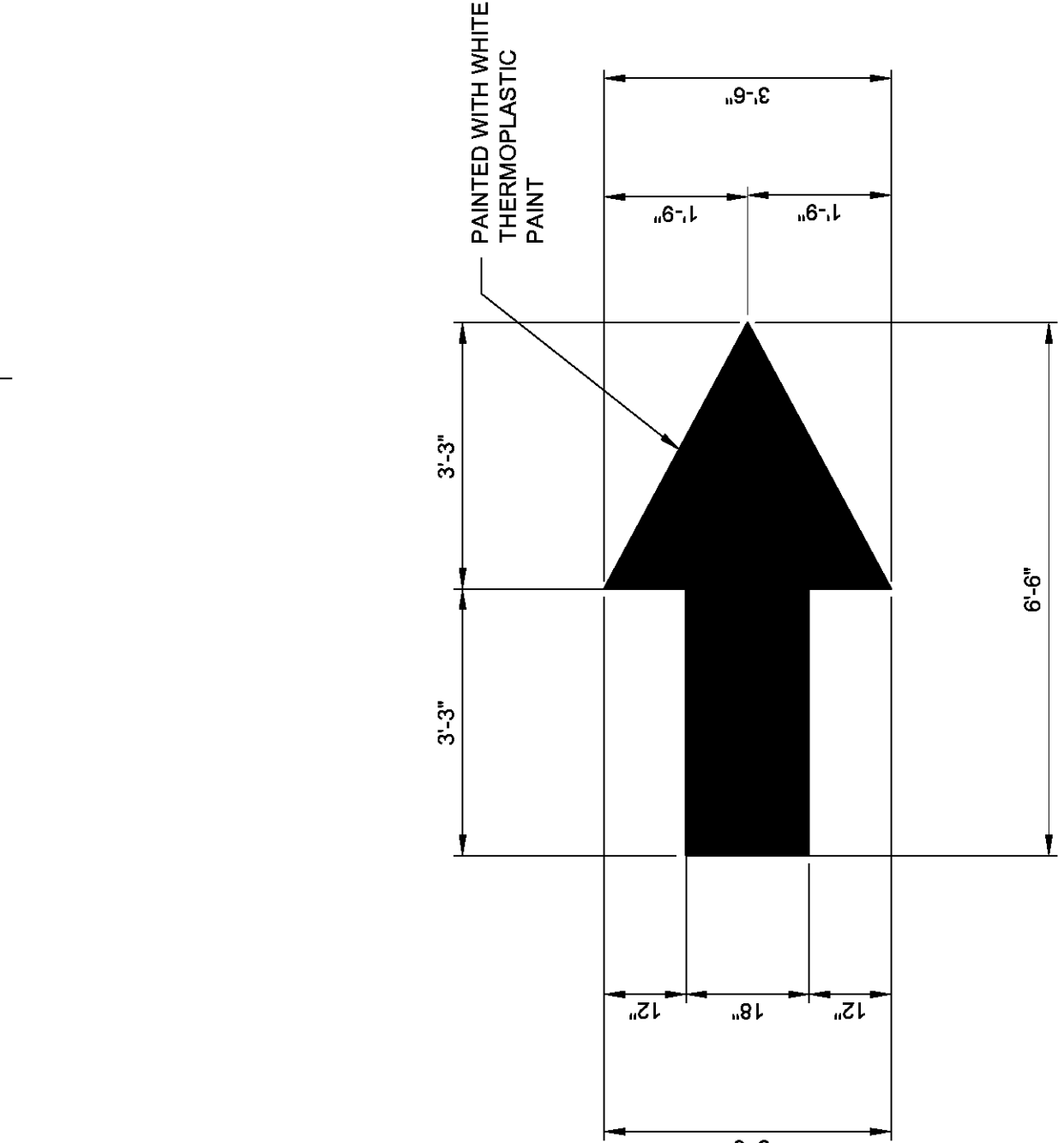
20 TYPICAL SIDEWALK



21 CONCRETE WHEEL STOP



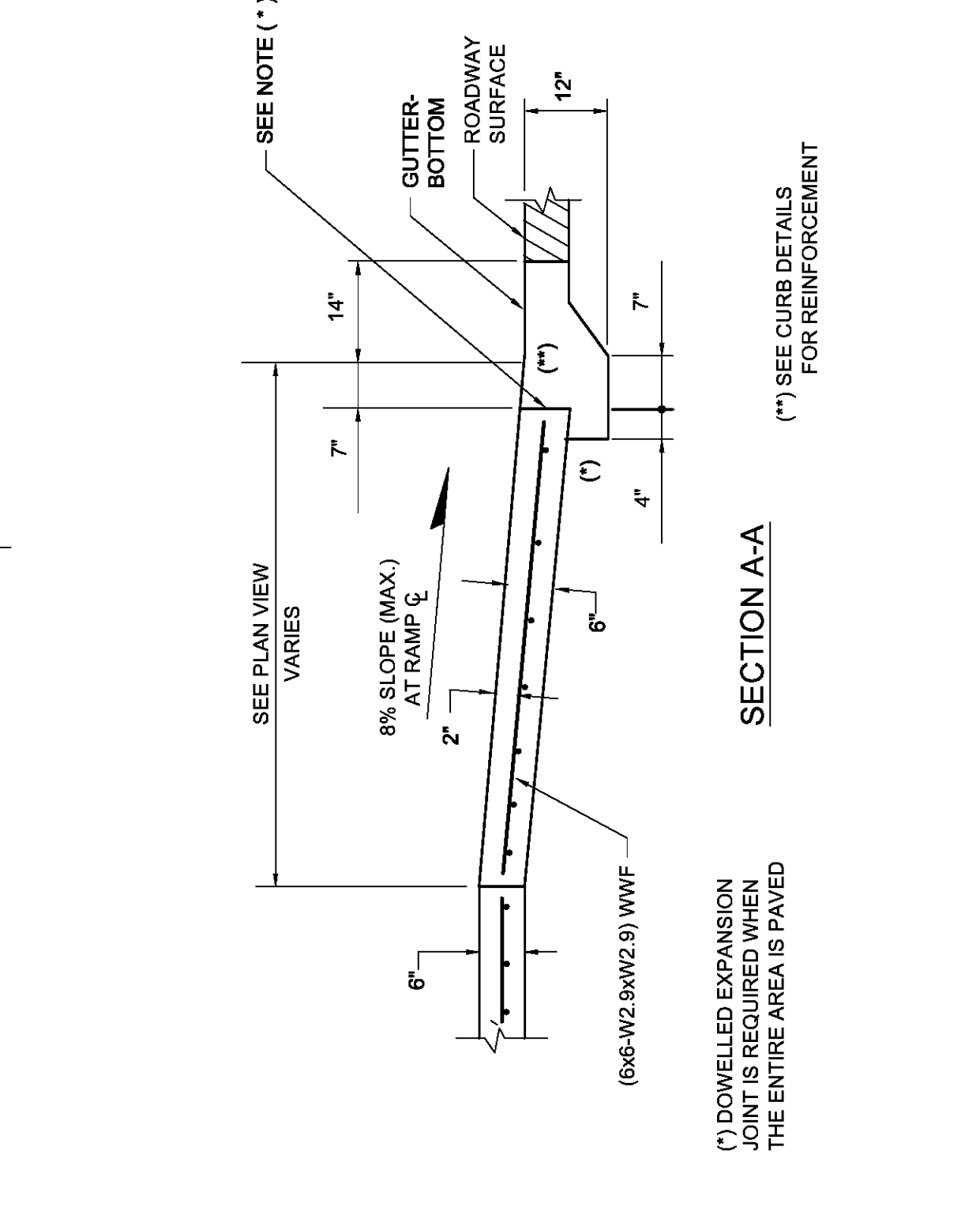
A SECTION - A



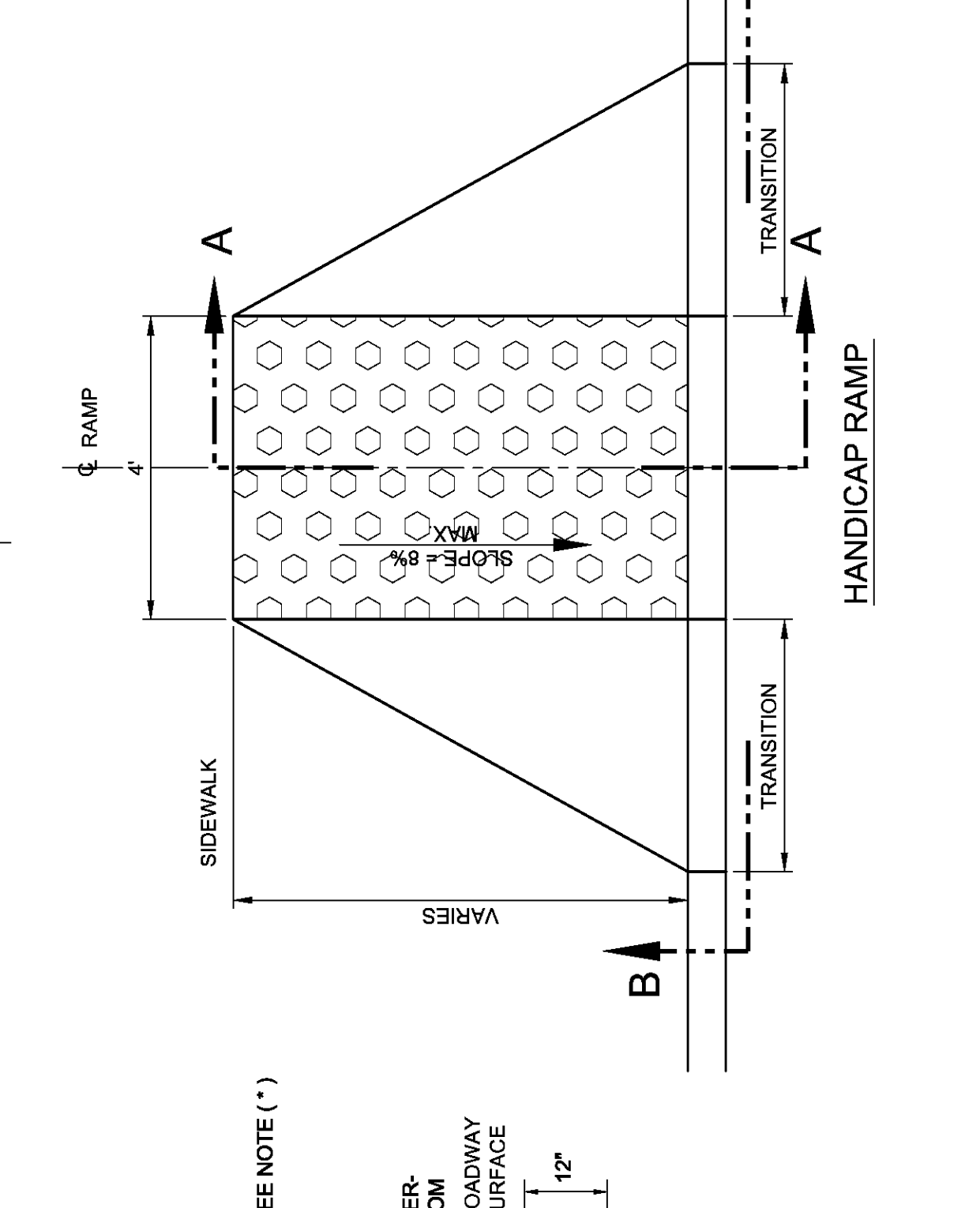
24 DIRECTION ARROW



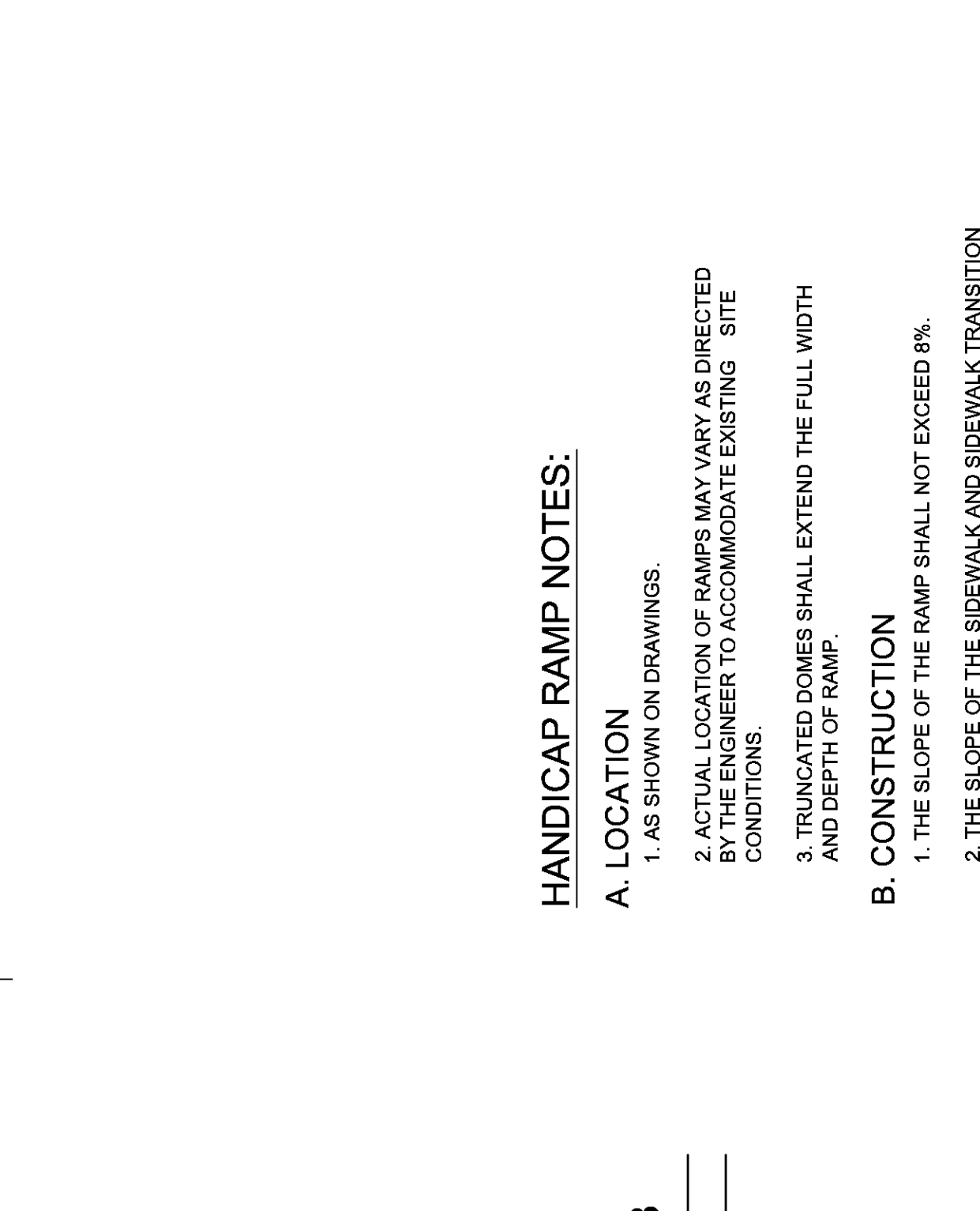
21 CONCRETE WHEEL STOP



22 HANDICAP ICON



23 HANDICAP PARKING SIGN



HANDICAP RAMP NOTES:

- A. LOCATION
 - AS SHOWN ON DRAWINGS.
 - ACTUAL LOCATION OF RAMPS MAY VARY AS DIRECTED BY THE ENGINEER TO ACCOMMODATE EXISTING SITE CONDITIONS.
 - TRUNCATED DOMES SHALL EXTEND THE FULL WIDTH AND DEPTH OF RAMP.
- B. CONSTRUCTION
 - THE SLOPE OF THE RAMP SHALL NOT EXCEED 8%.
 - THE SLOPE OF THE SIDEWALK AND SIDEWALK TRANSITION SHALL NOT EXCEED 8%.
 - THE WIDTH OF THE RAMP SHALL NOT BE LESS THAN 4' BUT MAY EXCEED THIS WHERE NECESSARY.
 - SURFACE TEXTURE OF THE CONCRETE RAMP SHALL COMPLY WITH ADA, THE LATEST EDITION.
 - ALL CONCRETE TO BE 4000 PSI EXCEPT AS OTHERWISE INDICATED.
- C. DETECTABLE WARNINGS
 - DETECTABLE WARNINGS, I.E. RAISED TRUNCATED DOMES (B.4) SHALL BE USED BETWEEN PEDESTRIAN CIRCULATION AREAS AND VEHICULAR CIRCULATION OR PARKING AREAS.
 - RAISED TRUNCATED DOMES SHALL BE 9" INCHES IN NOMINAL DIAMETER, 2" INCHES IN NOMINAL HEIGHT, AND CENTERED 2.38" INCHES FROM EACH EDGE OF THE SURFACE. SURFACES SHALL VISUALLY CONTRAST IN COLOR WITH ADJOINING SURFACES EITHER LIGHT-ON-DARK OR DARK-ON-LIGHT. THE MATERIAL USED TO PROVIDE CONTRASTING COLOR SHALL BE AN INTEGRAL PART OF THE WALKING SURFACE (P.604G, 109.15).

SCHRENK AND PETERSON CONSULTING ENGINEERS, INC.
 4141 BIENVILLE AVE.
 NEW ORLEANS, LA 70119
 PHONE: 504.482.7856
 FAX: 504.482.7325
 www.schrenkandpeterson.com

SIZER THOMPSON BROWN ARCHITECTS
 PROJECT DESIGN GROUP
 300 LAKEVIEW STREET, SUITE 200
 THOMAS BROWN BUILDING
 NEW ORLEANS, LOUISIANA 70130
 ARCHITECTS
 (504) 523-6472 FAX (504) 529-1181

No.	Revisions	Description	Date

JEFFERSON PARISH SHERIFFS OFFICE
 FOURTH DISTRICT SUBSTATION
 METAIRIE, LOUISIANA 70003

File name	Project number	Date	Phase
5504CD00-C5_7	5585	02-18-10	CD

C7