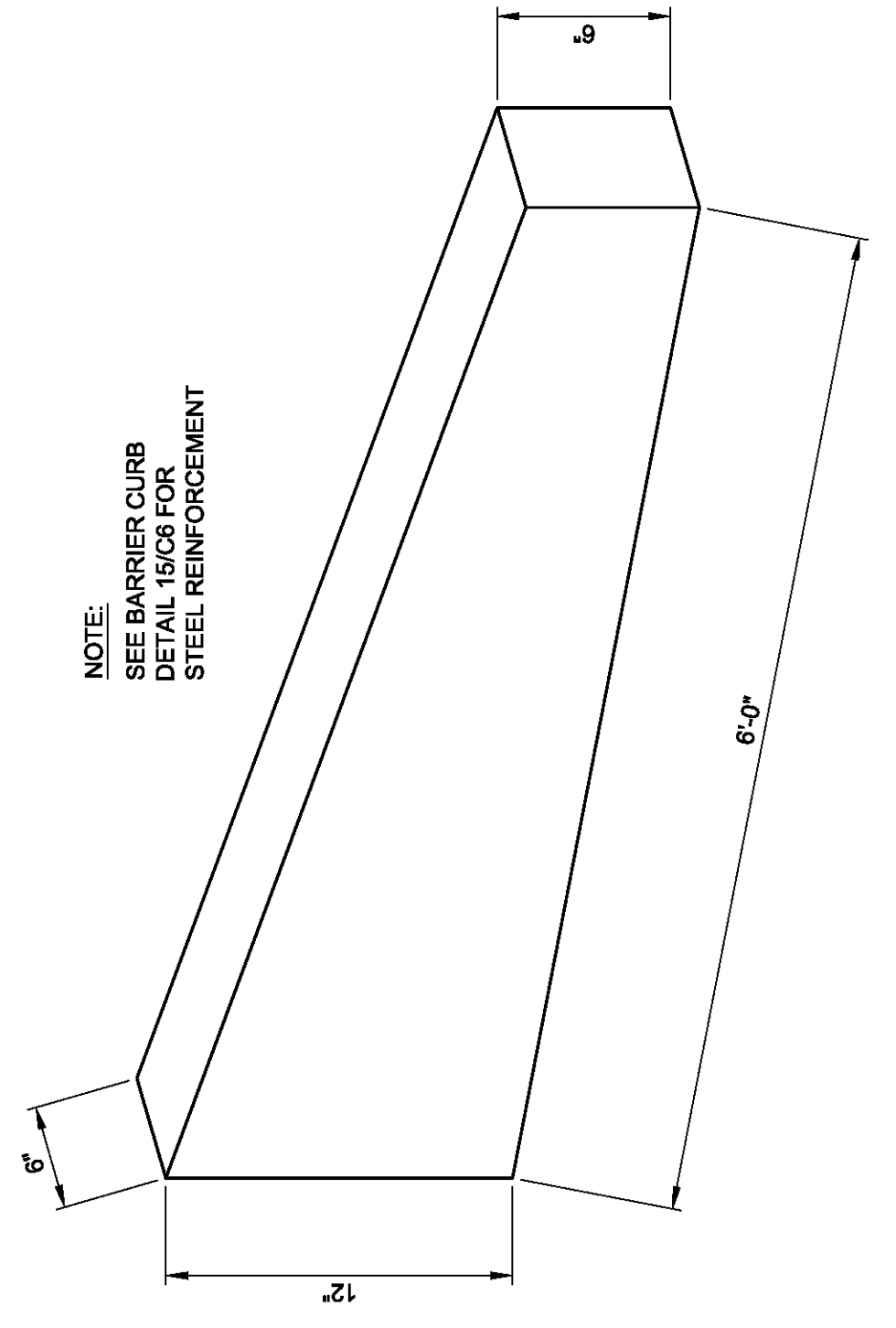
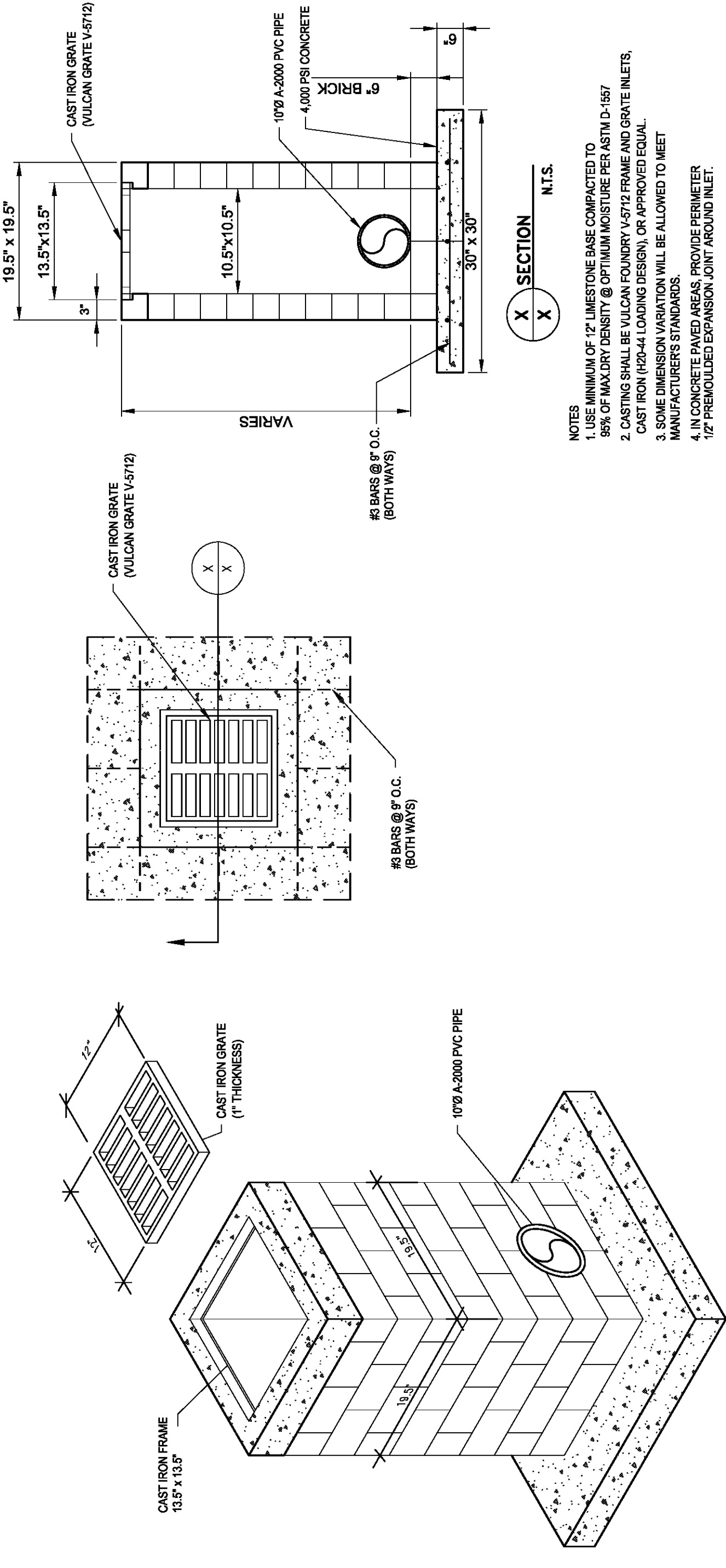


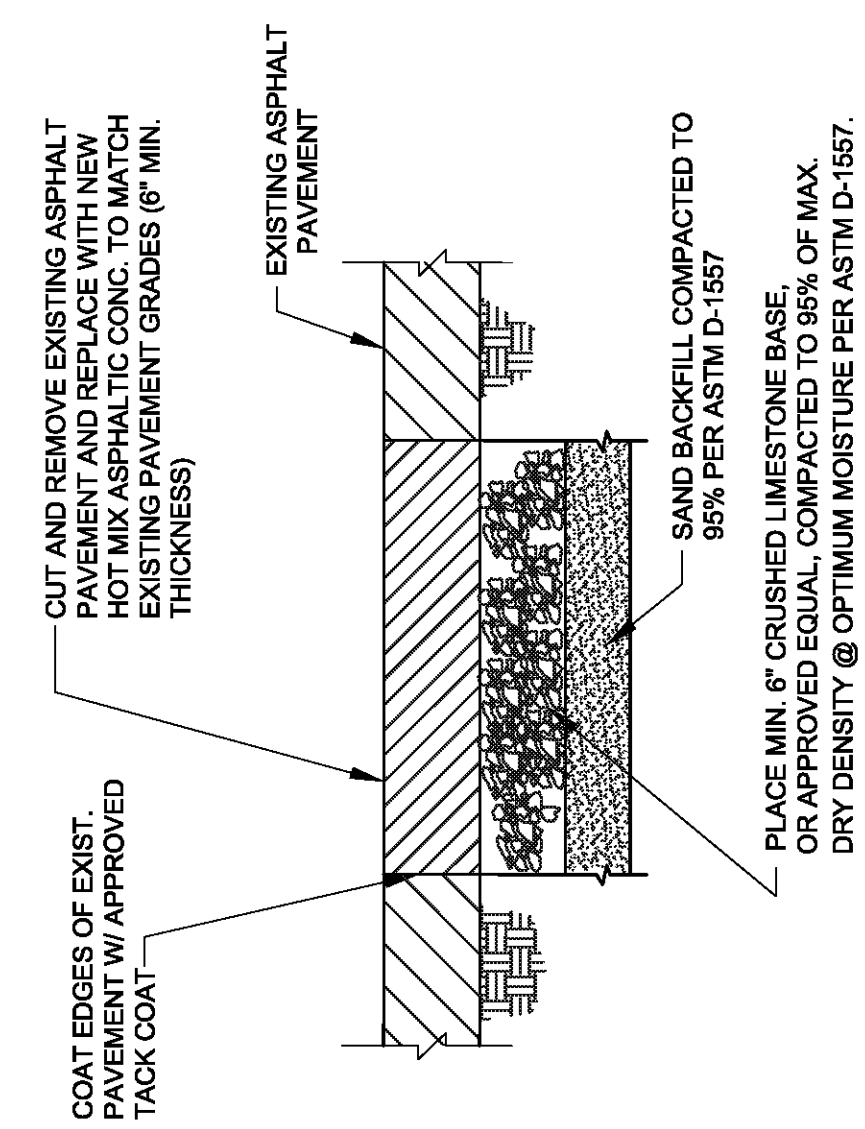
26 STAIR DETAIL
C2 | C8 N.T.S.



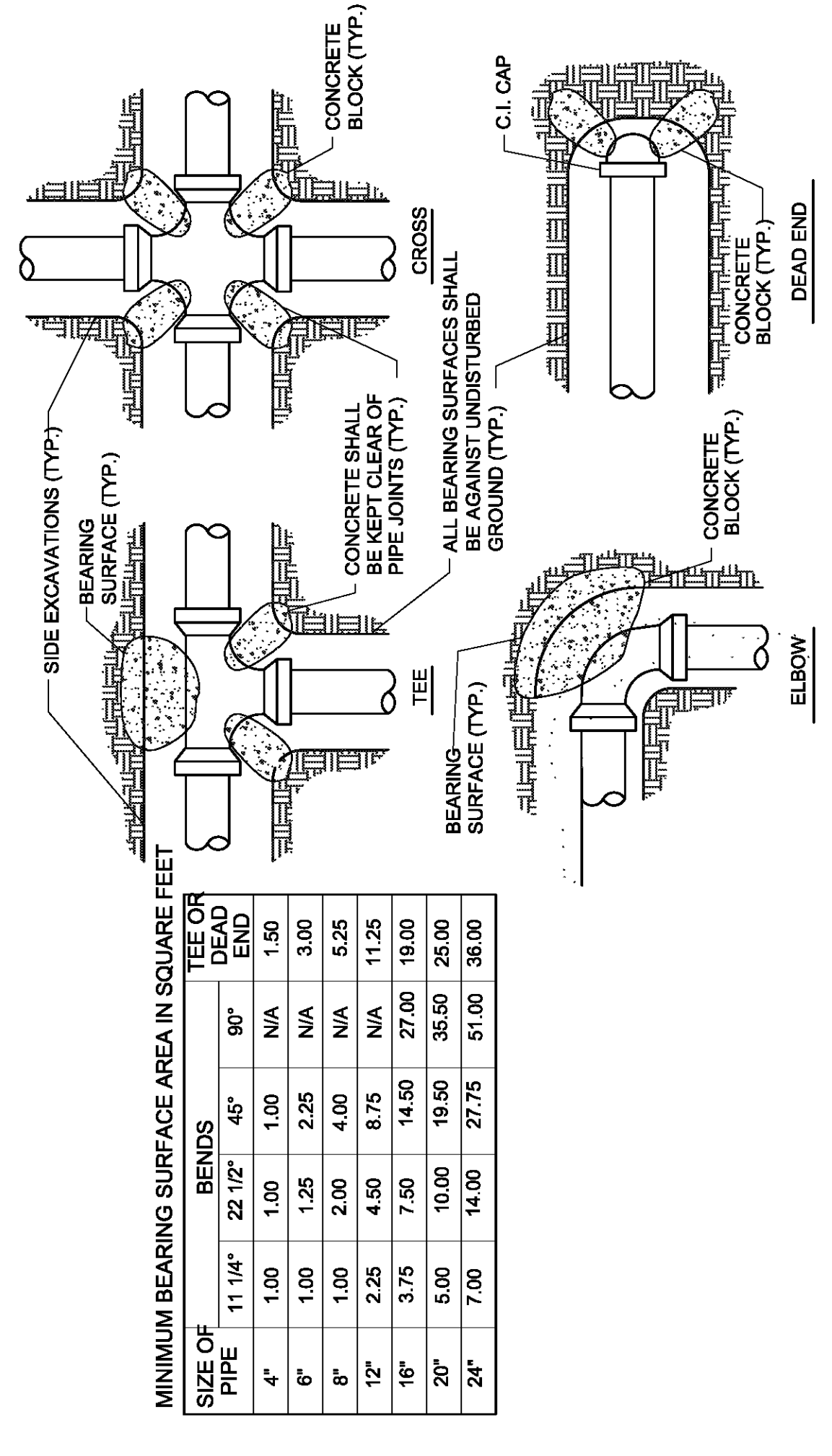
27 12"X6" BARRIER CURB TRANSITION
C2 | C8 N.T.S.



30 YARD DRAIN
C4 | C8 N.T.S.

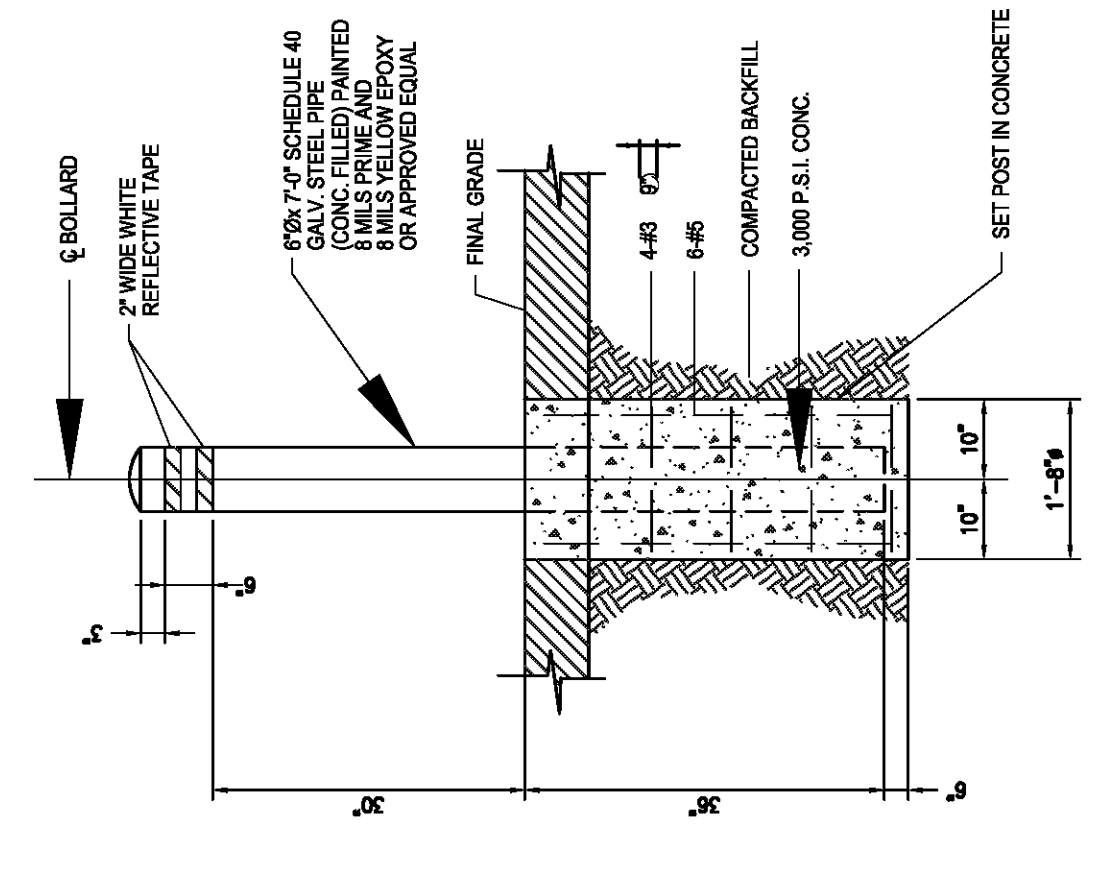


28 ASPHALT PATCH DETAIL
C4 | C8 N.T.S.



MINIMUM BEARING SURFACE AREA IN SQUARE FEET	TEE OR DEAD END
11 1/4"	22 1/2"
4"	1.00
6"	1.25
8"	2.00
12"	4.00
16"	8.00
20"	16.00
24"	32.00

29 THRUST BLOCK INSTALLATION
C2 | C8 N.T.S.



31 BOLLARD DETAIL
C2 | C8 N.T.S.

SCHRENK AND PETERSON CONSULTING ENGINEERS, INC.
4171 BIRVILLE CT.
NEW ORLEANS, LA 70119
PHONE: 504.482.7856
FAX: 504.482.7325
www.schrenkandpeterson.com

SIZELER THOMPSON BROWN ARCHITECTS
PROJECT DESIGN GROUP
SIZELER 300 LAFAYETTE STREET, SUITE 200
THOMPSON NEW ORLEANS, LOUISIANA 70130
BROWN (504) 523-4472 FAX (504) 529-1181
ARCHITECTS

No.	Revisions	Date

JEFFERSON PARISH SHERIFF'S OFFICE
FOURTH DISTRICT SUBSTATION
METAIRIE, LOUISIANA 70003

MISC. DETAILS

file name	5604C00-C8_Z	drawing number	C8
project number	5585	date	02-18-10
phase	CD		