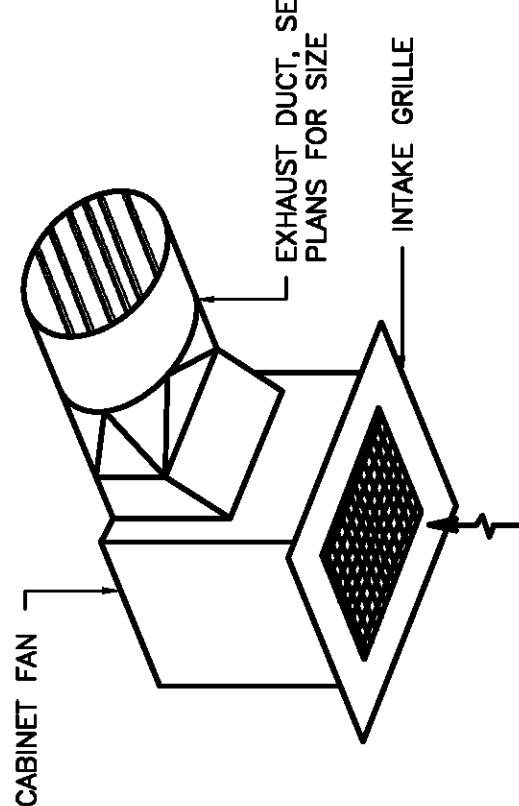
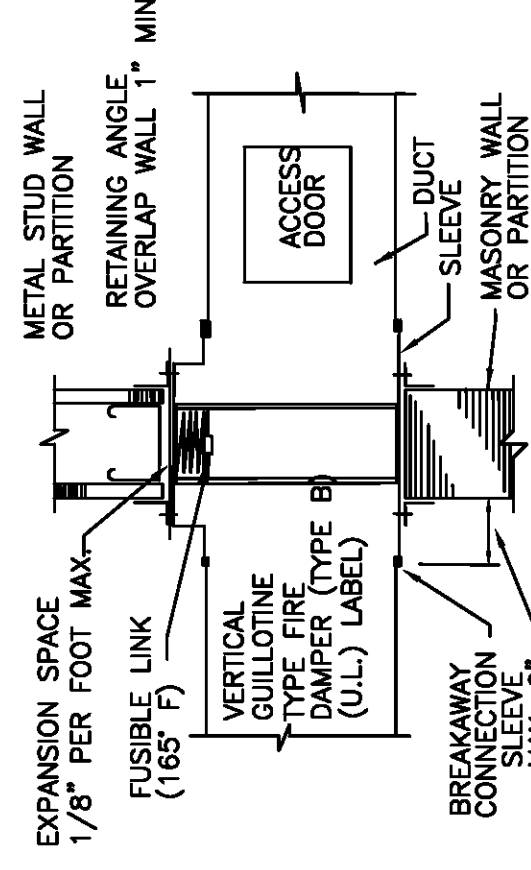


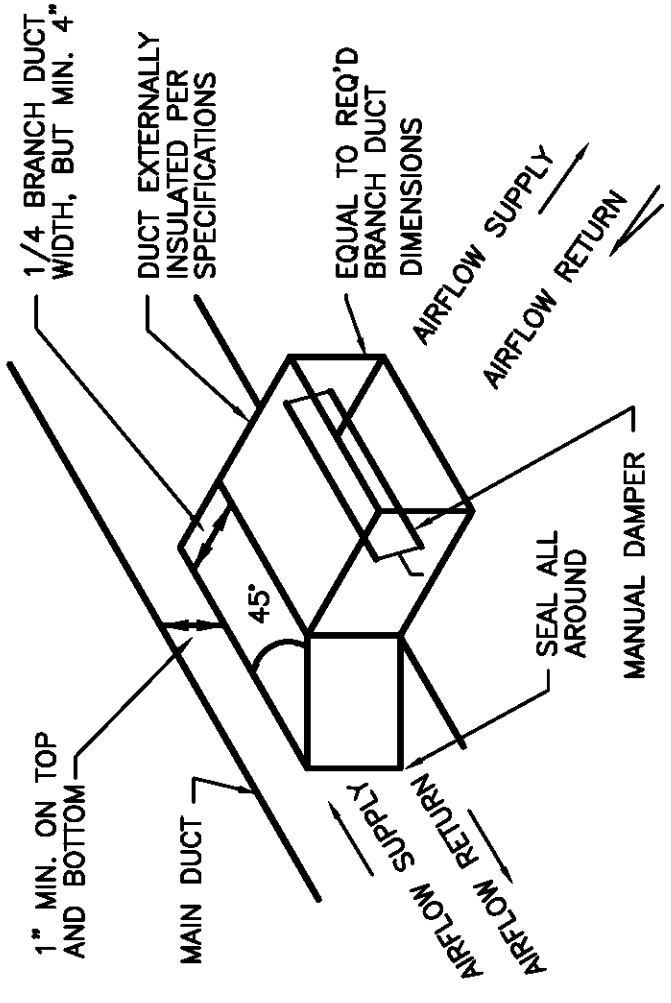
DUCTWORK SUPPORT DETAIL
SCALE: N.T.S.



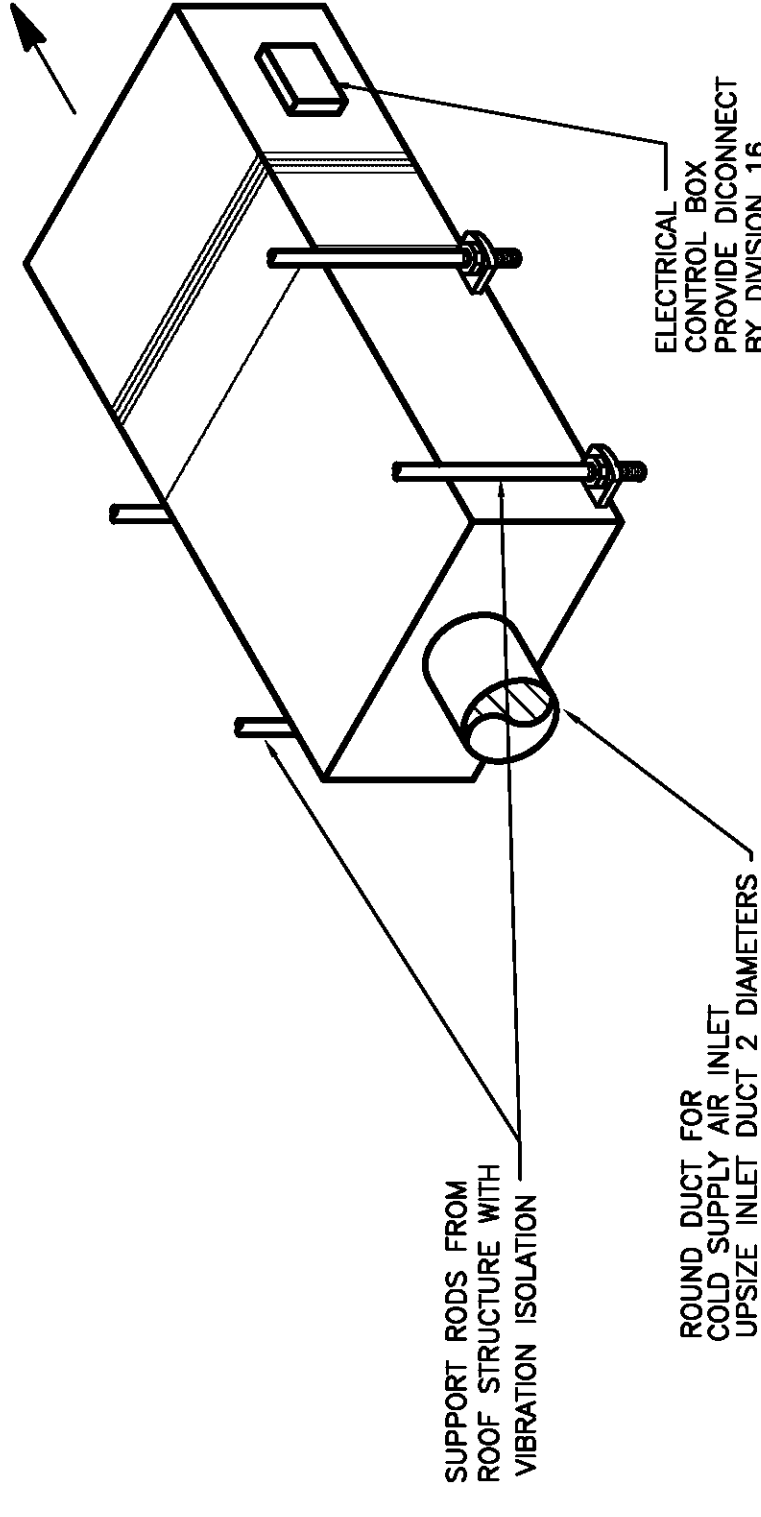
CEILING EXHAUST FAN DETAIL
SCALE: N.T.S.



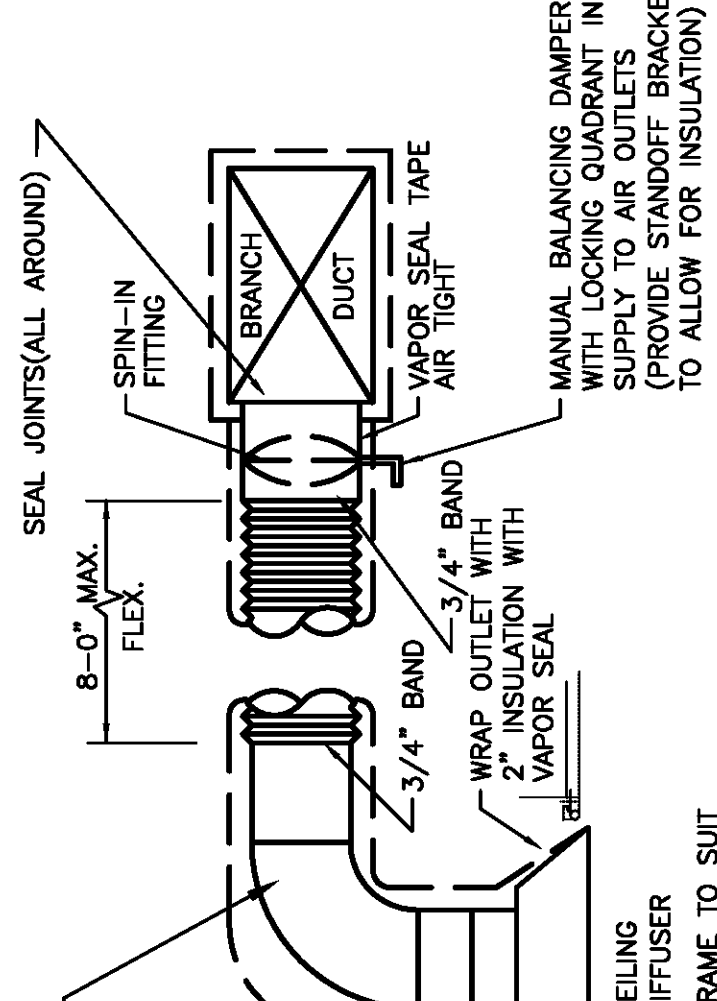
VERTICAL FIRE DAMPER DETAIL
SCALE: N.T.S.



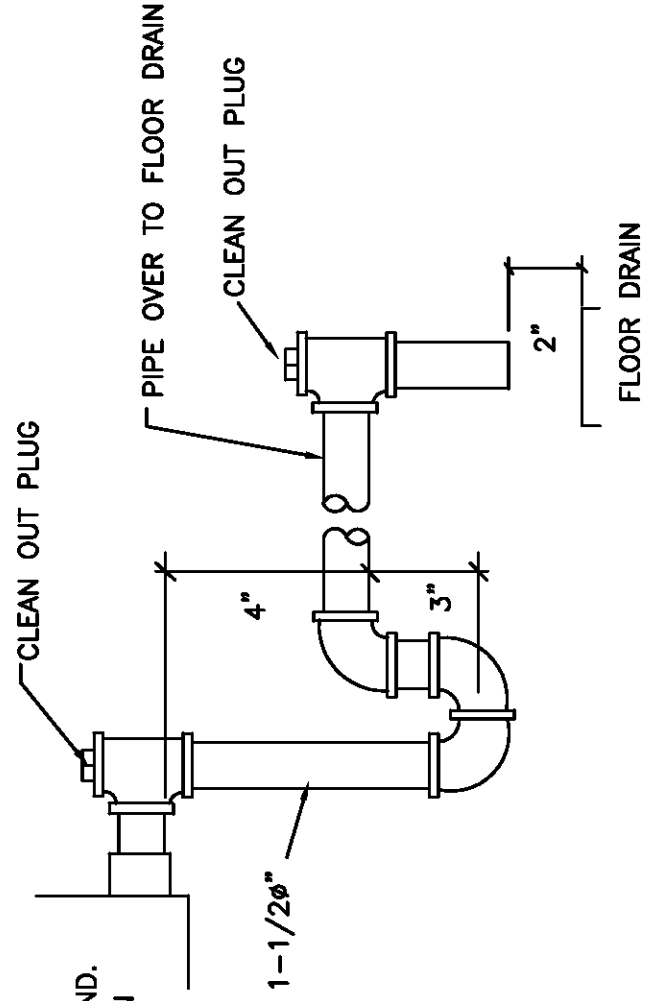
TYPICAL BRANCH TAKE-OFF FITTING TO DIFFUSERS AND GRILLES
SCALE: N.T.S.



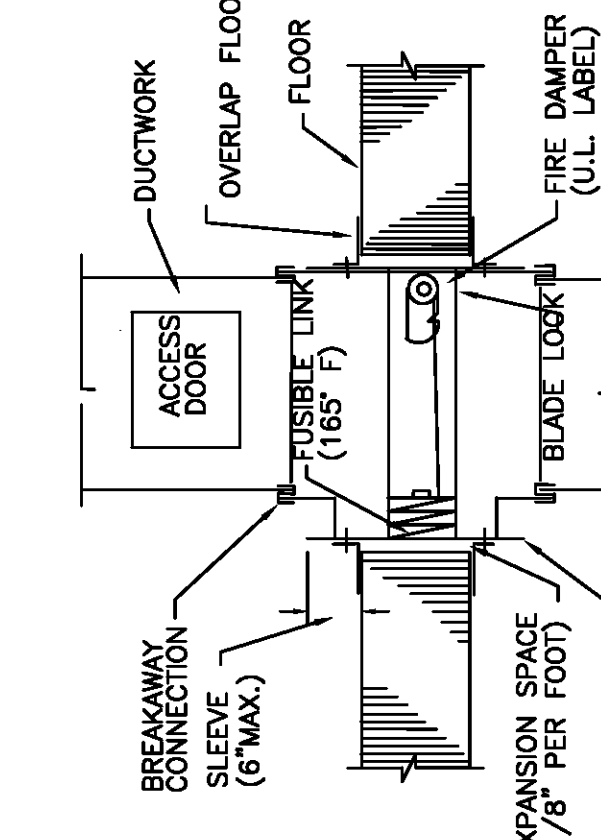
TYPICAL ELBOW DETAIL
SCALE: N.T.S.



SUPPLY AIR DETAIL
SCALE: N.T.S.



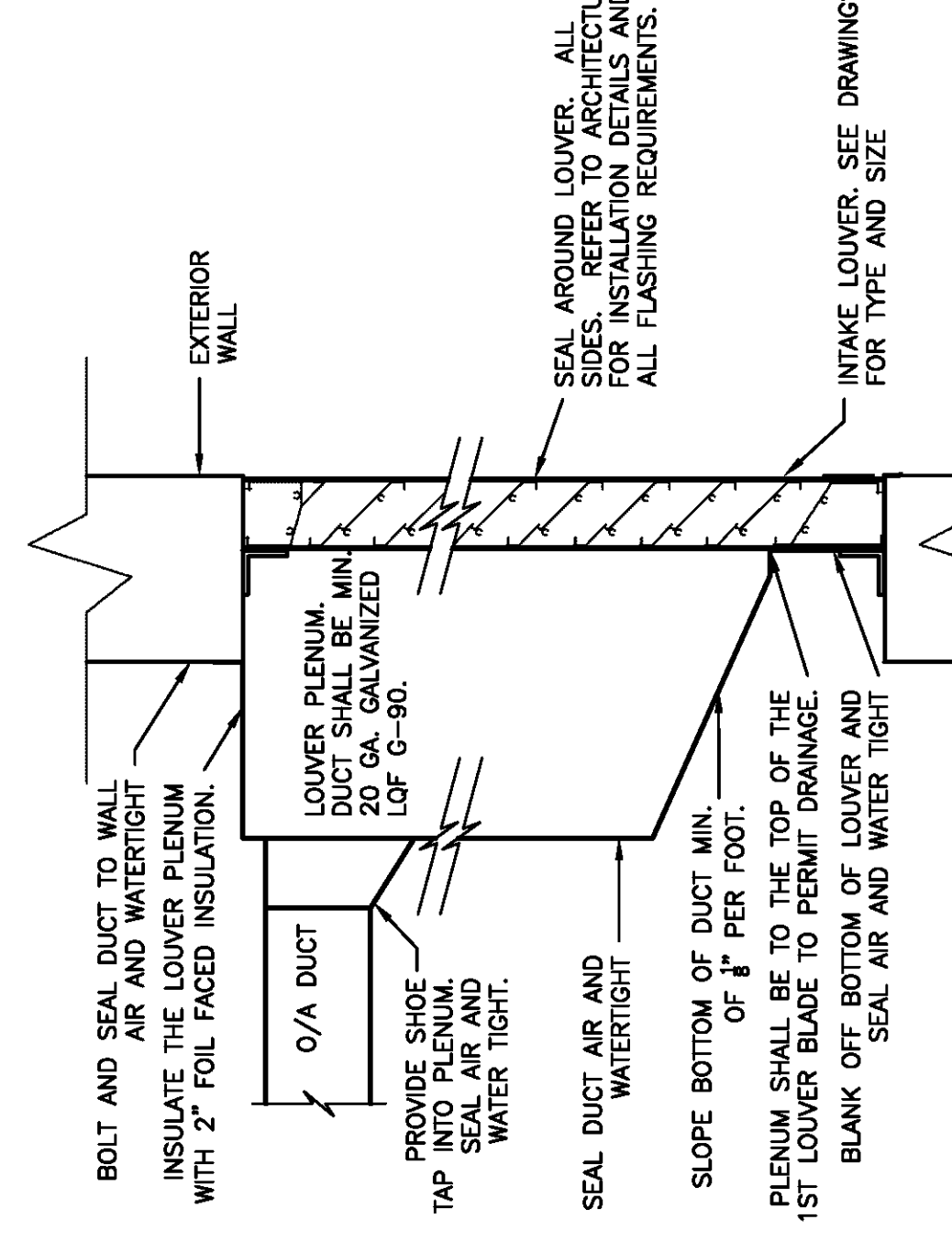
CONDENSATE DRAIN LINE
SCALE: N.T.S.



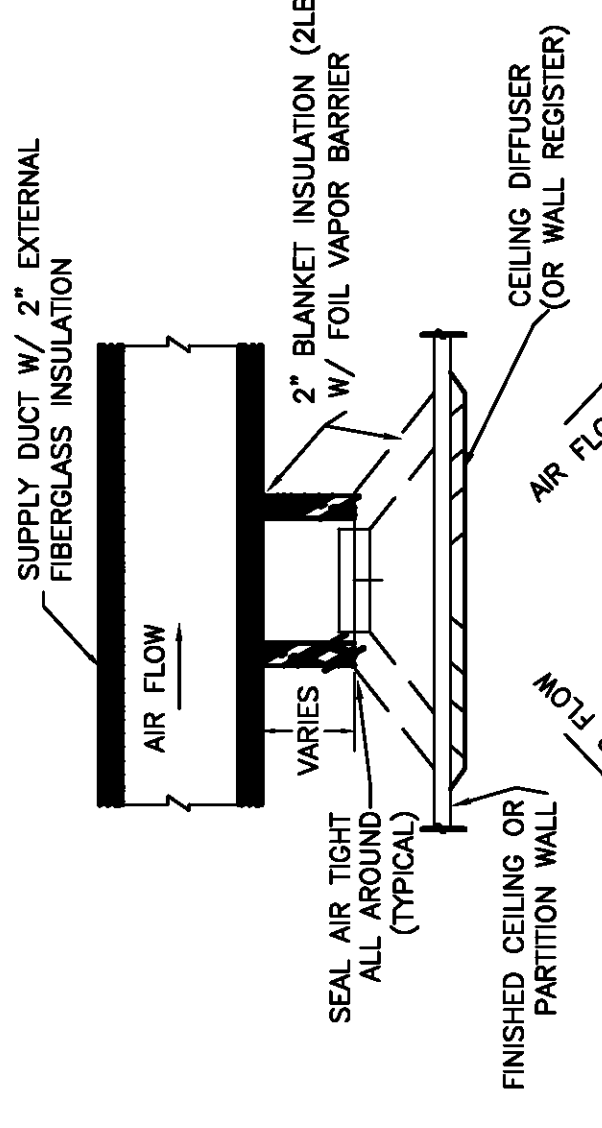
TYPICAL VAV TERMINAL UNIT
SCALE: N.T.S.

NOTE: REFER SHALL BE INSTALLED IN STRICT ACCORDANCE WITH THE MANUFACTURER'S INSTALLATION INSTRUCTIONS AND UL555

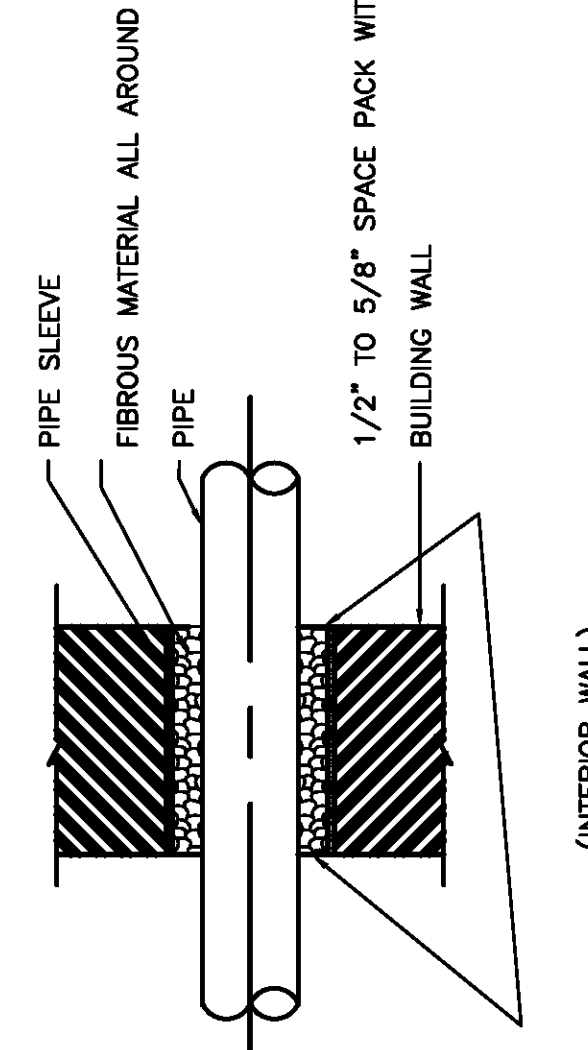
HORIZONTAL FIRE DAMPER DETAIL
SCALE: N.T.S.



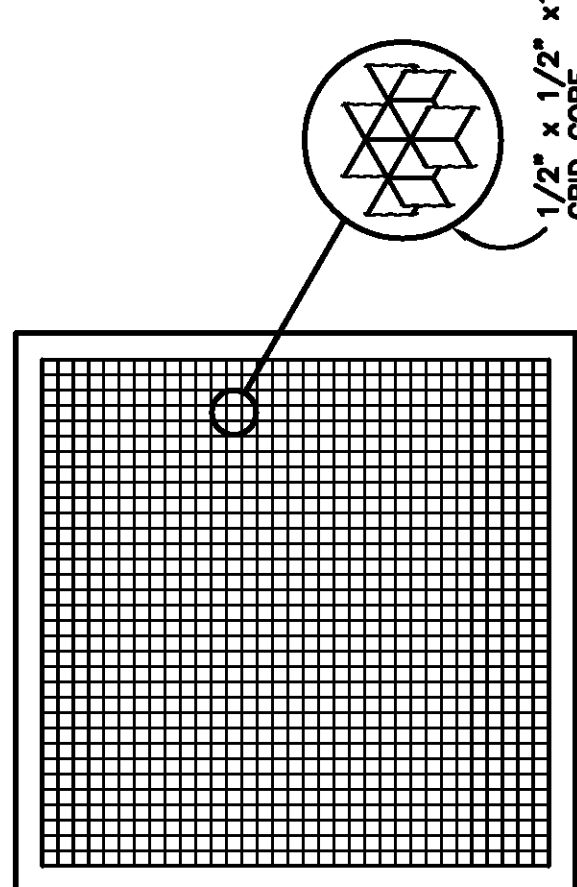
LOUVER DETAIL
SCALE: N.T.S.



CEILING DIFFUSER DETAIL
SCALE: N.T.S.



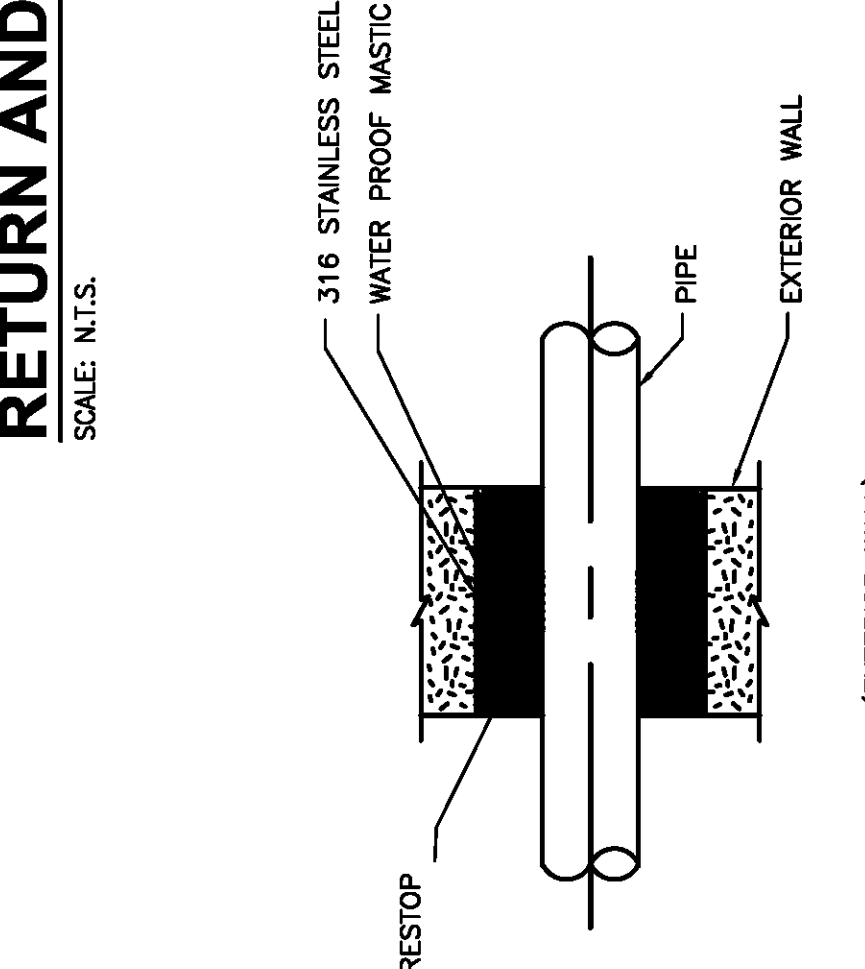
TYPICAL WALL PENETRATION DETAIL
SCALE: N.T.S.



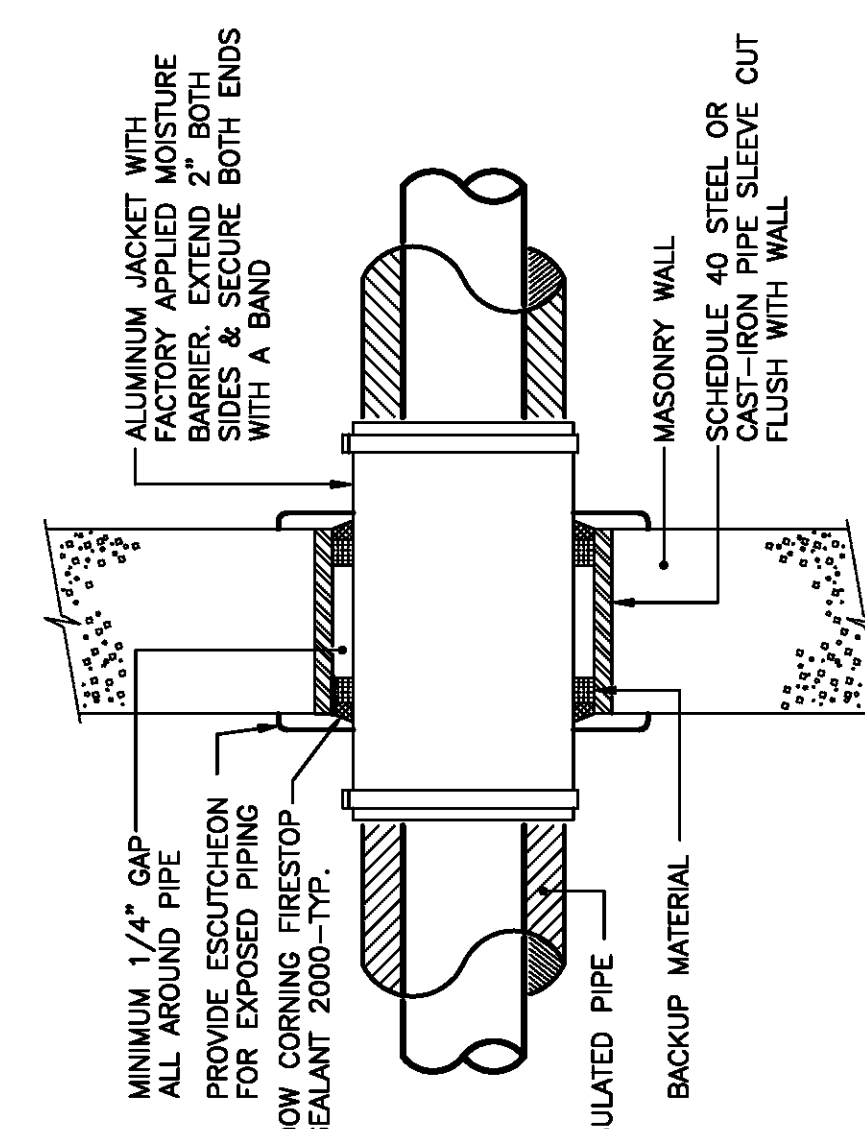
RETURN AND EXHAUST AIR DIFFUSER DETAIL
SCALE: N.T.S.

SUPPLY AIR LINEAR DIFFUSER DETAIL
SCALE: N.T.S.

- NOTES**
1. FULL FACE WITH FRAME FOR LAY-IN CEILING.
 2. VOLUME DAMPER ADJUSTABLE WITHOUT REMOVING GRID CORE.
 3. SIZE VARIES, REFER TO PLANS.
 4. REFER TO ARCHITECTURAL DRAWINGS FOR EXACT CEILING SYSTEM DETAILS.
 5. REFER TO SHEET #101 FOR GRILLE SIZING.



DETAIL OF CAULKING SLEEVE
SCALE: N.T.S.



EXTERIOR WALL PIPE PENETRATION DETAIL
SCALE: N.T.S.

RETURN AND EXHAUST AIR DIFFUSER DETAIL
SCALE: N.T.S.

HUSEMAN & Associates
MECHANICAL ELECTRICAL PLUMBING & FIRE PROTECTION
Job No. 080063
Designed By: J.
Checked By: CWB

REGIONAL DESIGN GROUP, LLC
300 LAFAYETTE STREET, SUITE 200
NEW ORLEANS, LOUISIANA 70130
(504) 523-6472 FAX (504) 529-1181

NO.	REVISIONS	DATE
1	revision	
2	revision	
3		
4		
5		

JEFFERSON PARISH SHERIFFS OFFICE
4TH DISTRICT SUBSTATION
JEFFERSON PARISH, LOUISIANA

HVAC DETAILS

FILE NAME	DRAWING NUMBER	PROJECT NUMBER	DATE	PHASE
0800601M100.dwg		51122.03	10-07-09	CD

M400