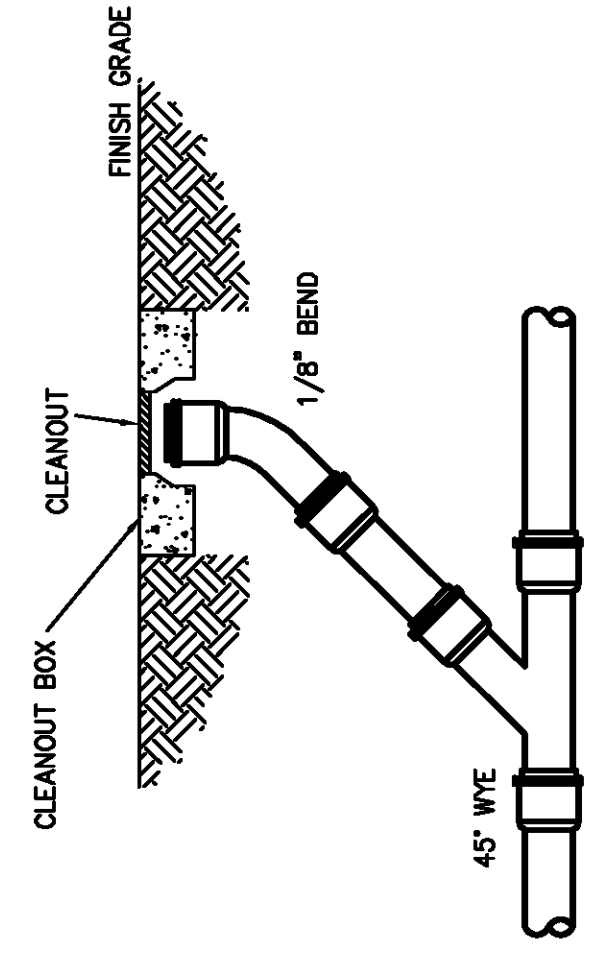
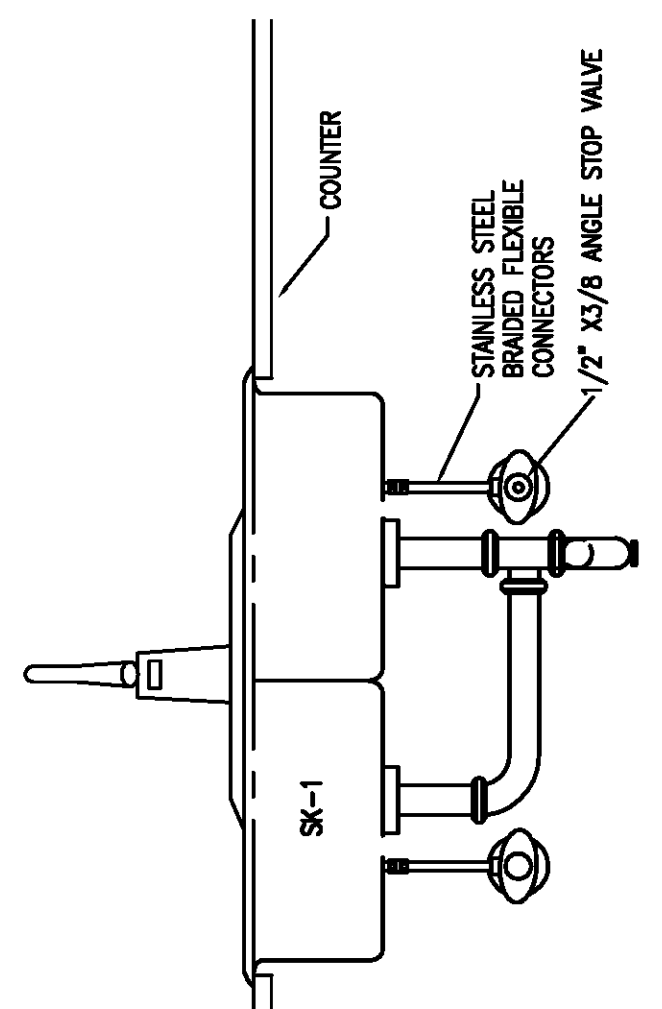


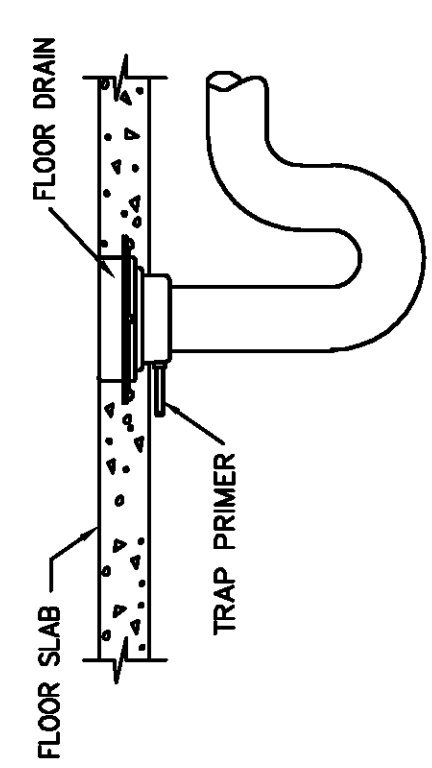
1. CLEANOUT COVER DETAIL
SCALE: N.T.S.



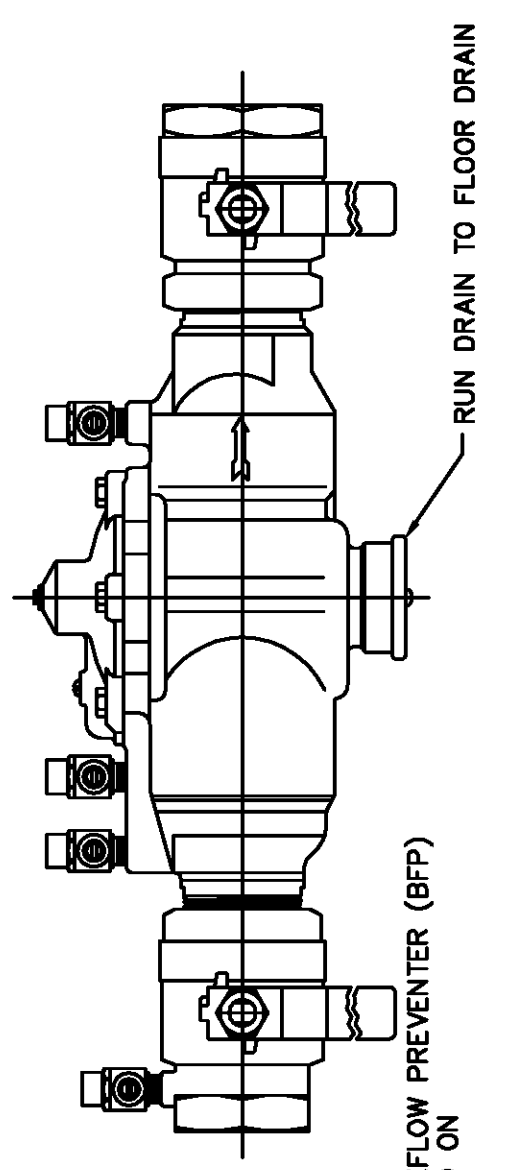
9. EXTERIOR CLEAN OUT DETAIL
SCALE: N.T.S.



DOUBLE COMPARTMENT SINK DETAIL
N.T.S.

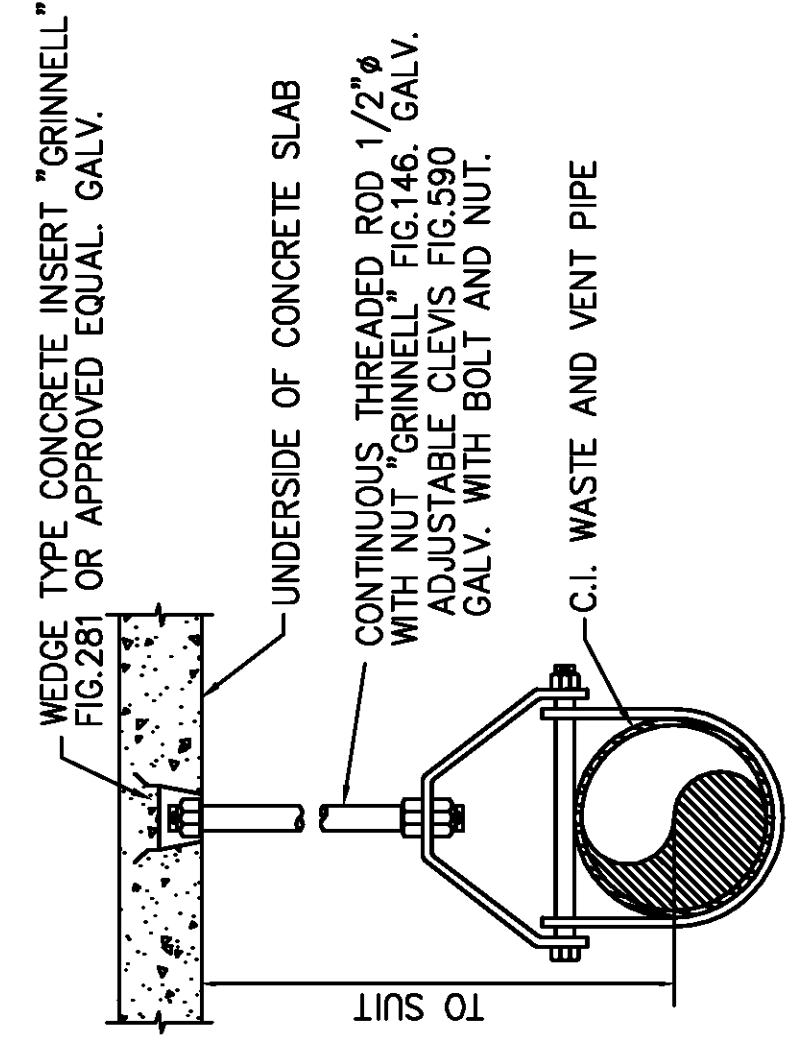


2. TYPICAL FLOOR DRAIN
N.T.S.

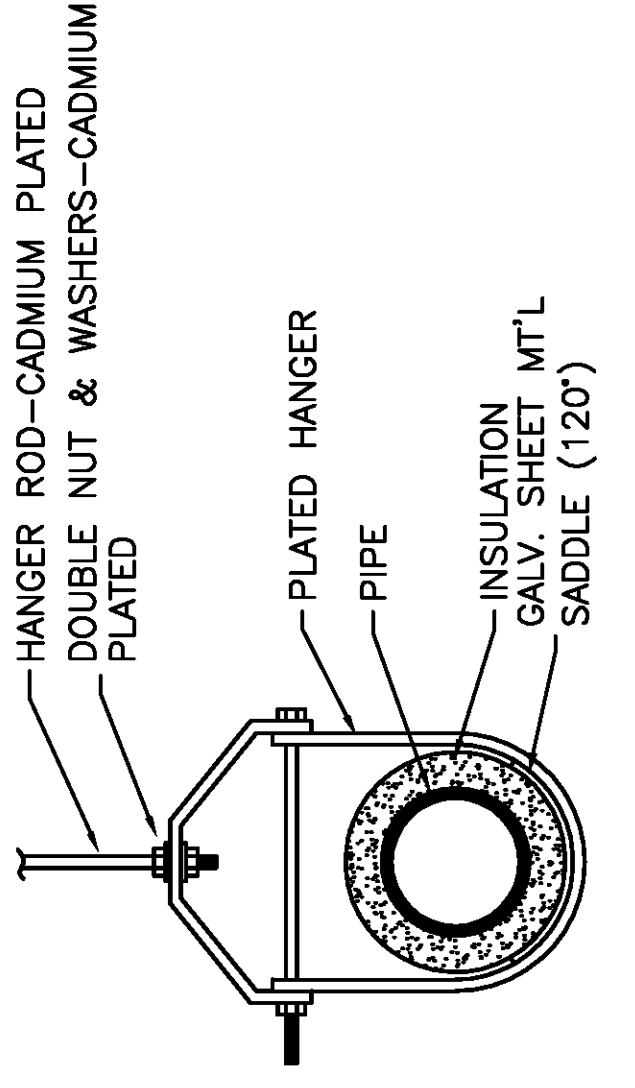


1/2"-2 1/2" RED. PRESS. BACKFLOW PREVENTER (BFP)
THE SERIES 089 IS LOCATED ON THE BUILDING. SEE PLANS.

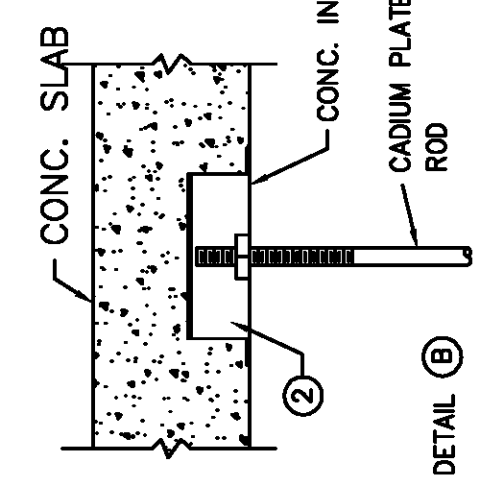
11. REDUCED PRESSURE BACKFLOW PREVENTER
N.T.S.



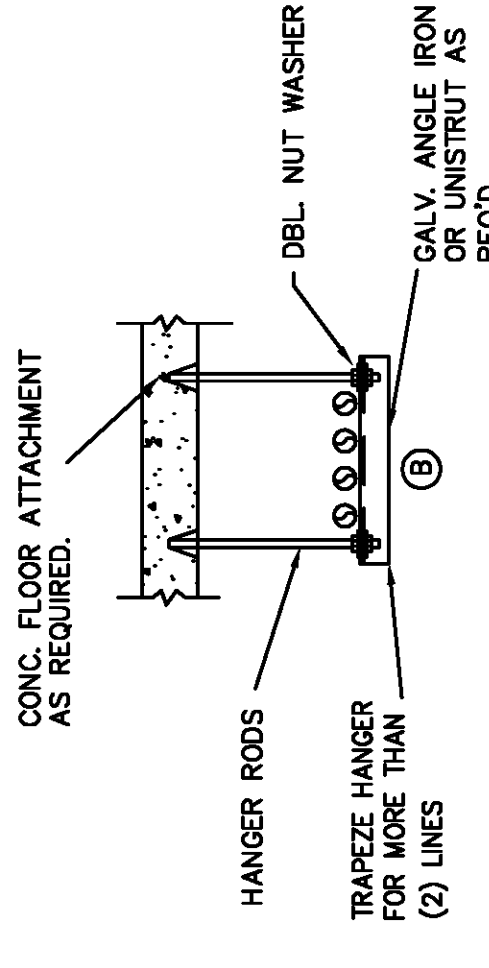
3. CLEVIS HANGER DETAIL ABOVE GRADE WASTE & VENT PIPING
N.T.S.



4. CLEVIS HANGER DETAIL
N.T.S.



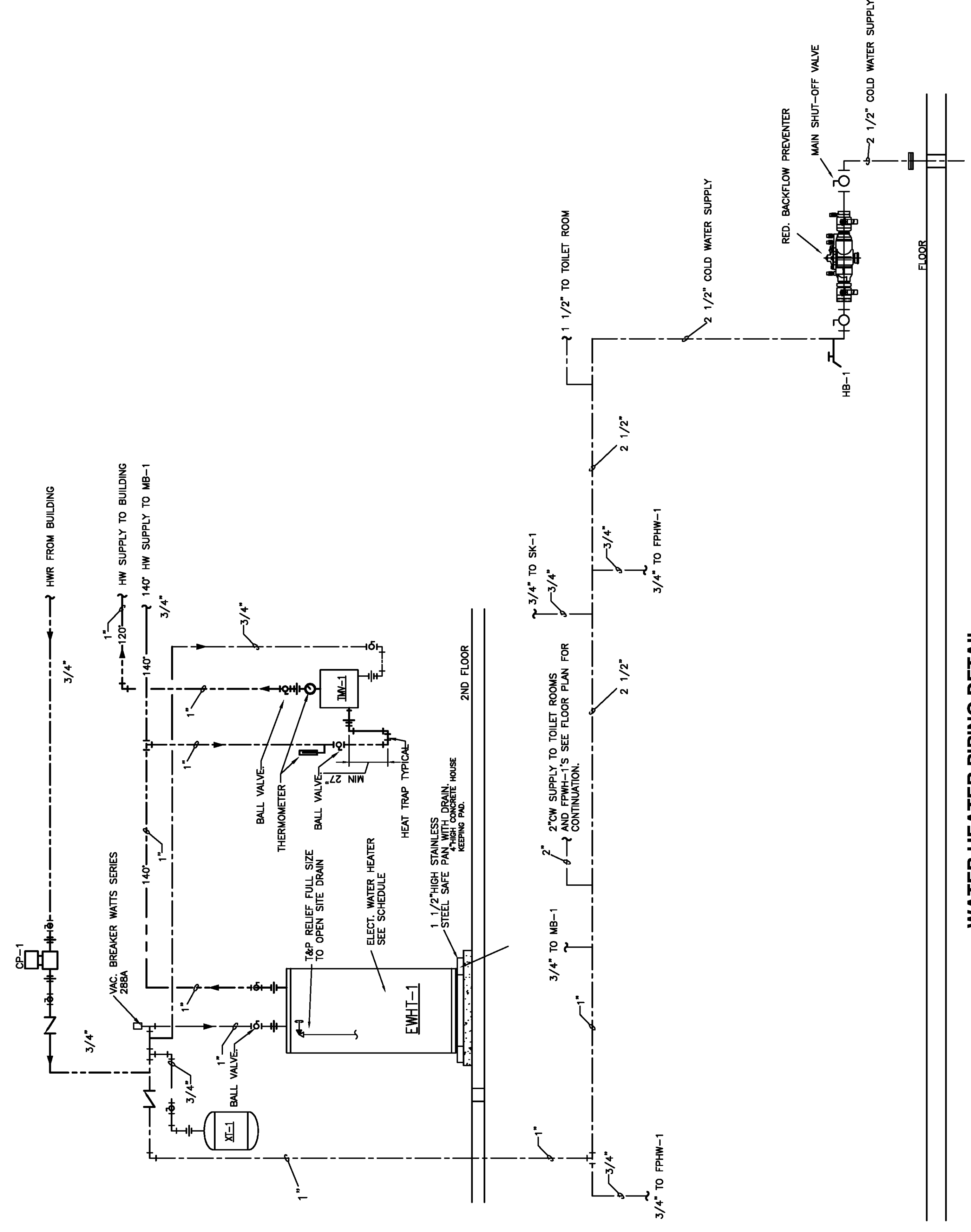
7. TYPICAL SINGLE HANGER
N.T.S.



8. TYPICAL TRAPEZE HANGER
N.T.S.

- LEGEND:
 (A) STEEL CONSTRUCTION
 (B) STRUCT. CONC. CONST.
 (C) STEEL W/METAL DECK
 (D) BAR JOIST
 (E) TYPICAL TRAPEZE
 (F) CONC. CONST.
 (G) CONC. CONST.
 (H) CONC. CONST. & CONC.

- LEGEND:
 (A) STEEL CONSTRUCTION
 (B) STRUCT. CONC. CONST.
 (C) STEEL W/METAL DECK
 (D) BAR JOIST
 (E) TYPICAL TRAPEZE
 (F) CONC. CONST.
 (G) CONC. CONST.
 (H) CONC. CONST. & CONC.



WATER HEATER PIPING DETAIL
N.T.S.

HUSEMAN & Associates
 MECHANICAL ELECTRICAL PLUMBING FIRE PROTECTION
 Job No. 090003
 Drawn By: RM
 Designated By: RM
 Checked By: CRB
 3925 N. I-10 SERVICE RD
 METairie, LA 70002
 (504) 456-3119
 (504) 523-6472 FAX (504) 456-3122

REGIONAL DESIGN GROUP, LLC
 300 LAFAYETTE STREET, SUITE 200
 NEW ORLEANS, LOUISIANA 70130
 (504) 523-6472 FAX (504) 529-1181

NO.	REVISION	DATE
1		
2		
3		
4		
5		

JEFFERSON PARISH SHERIFF'S OFFICE
 4TH DISTRICT SUBSTATION
 JEFFERSON PARISH, LOUISIANA

PLUMBING DETAILS

File name	090003P401.dwg	drawing number
Project number	51122.03	
Date	02-04-10	
Phase	CD	

P500