

CADD FILE NAME: 11034-DT-Details.dwg	SCALE: (24x36)	DATE: 30 JUL 10	JOB NO. 41034
DESIGNED BY: SMC	SCALE: (11x17)	CHECKED BY: SMC	DRWN BY: M/M

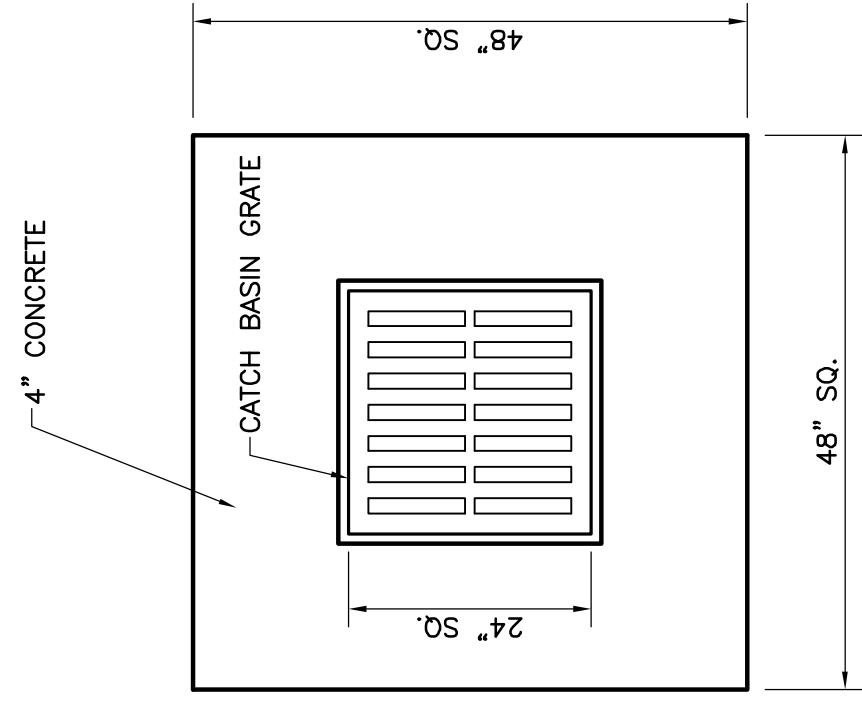
NORTHLAKE CHRISTIAN SCHOOL		COVINGTON, LOUISIANA		DRAINAGE DETAILS	
----------------------------	--	----------------------	--	------------------	--

AP'D	SMG	REVISIONS
DATE: 8/12/10	ADDENDUM #1-	
REMARKS:		

STAMP:	
--------	--



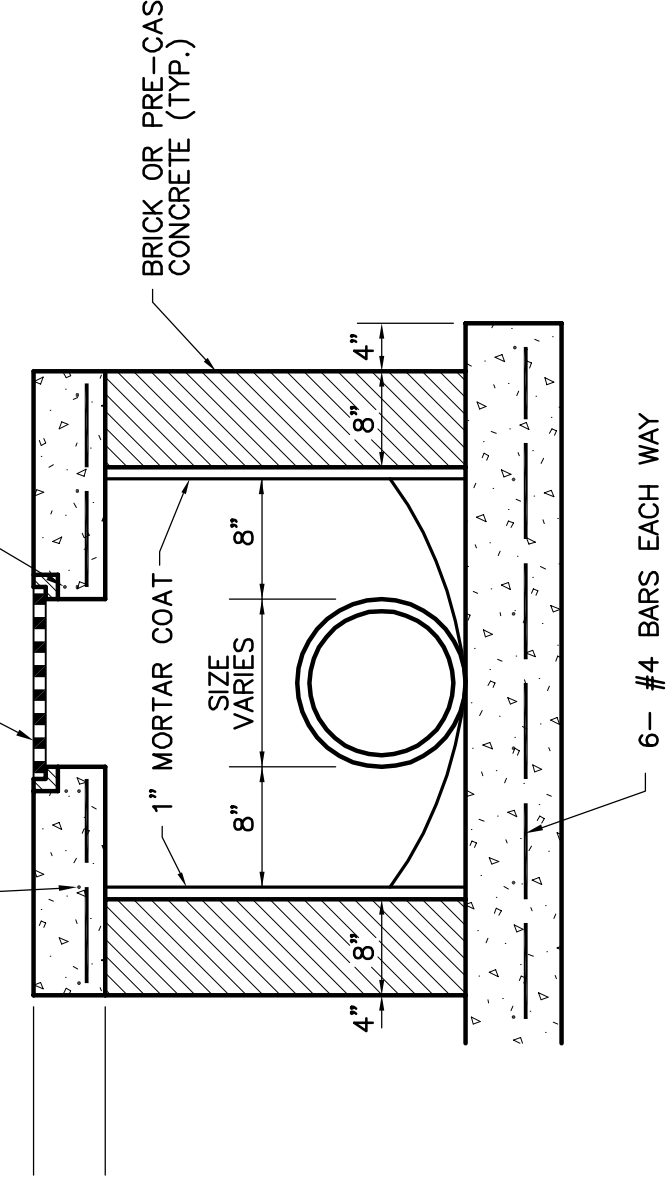
SHEET NO.	C5.0R
-----------	-------



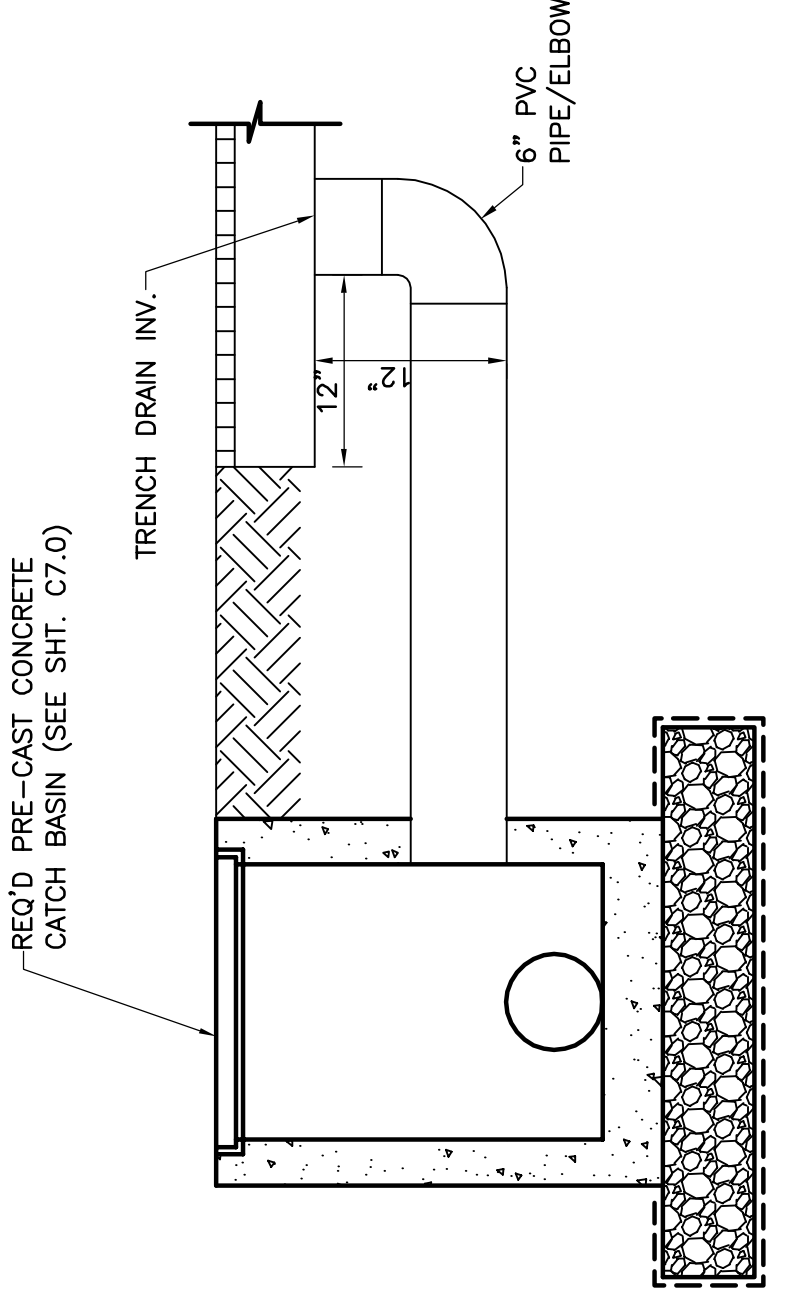
CATCH BASIN - PLAN
N.T.S.

NOTE:
CATCH BASIN SHALL BE CONSTRUCTED OF CONCRETE (PRE-CAST OR CAST-IN-PLACE) WITHIN LADOTD RIGHT-OF-WAY.

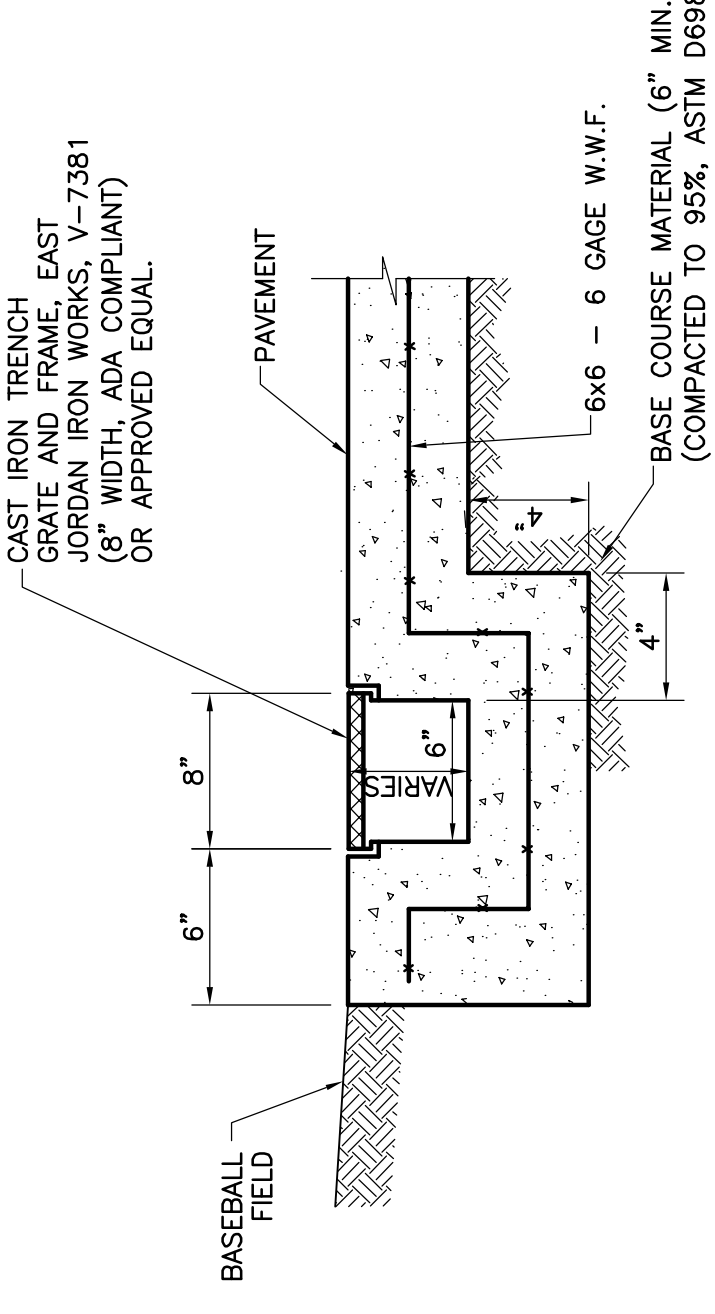
#5 BAR @ 5" O.C. CONT. EACH WAY
VULCAN FOUNDRY INC. #VFG-24 x 24 OR APPROVED EQUAL
1- #5 BAR X 4'-0" EACH SIDE OF CASTING (4 REQ'D.)



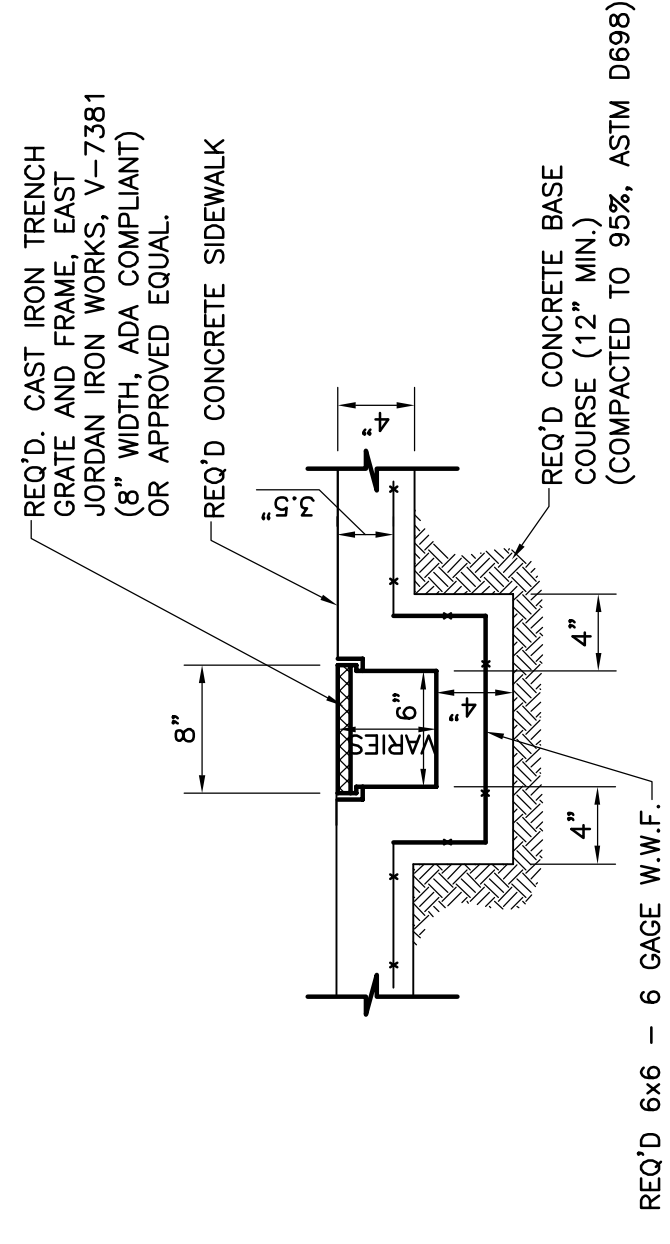
24\"/>



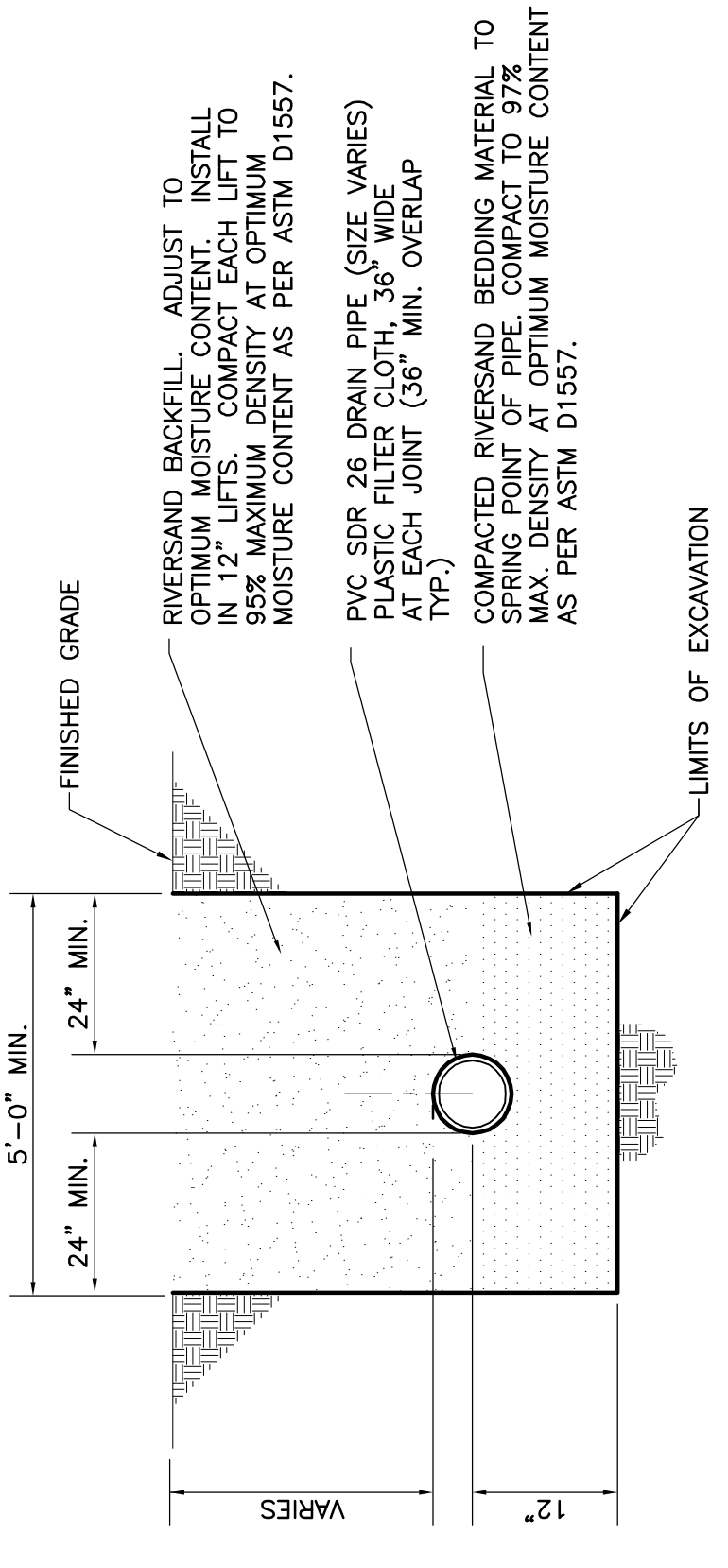
TRENCH DRAIN TO CATCH BASIN DETAIL
N.T.S.



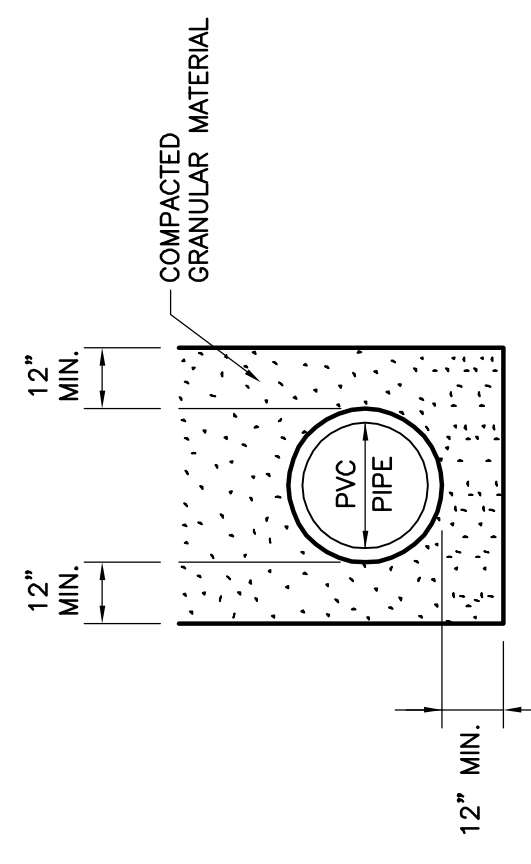
SIDEWALK TRENCH DRAIN DETAIL
N.T.S.



TRENCH DRAIN DETAIL
N.T.S.

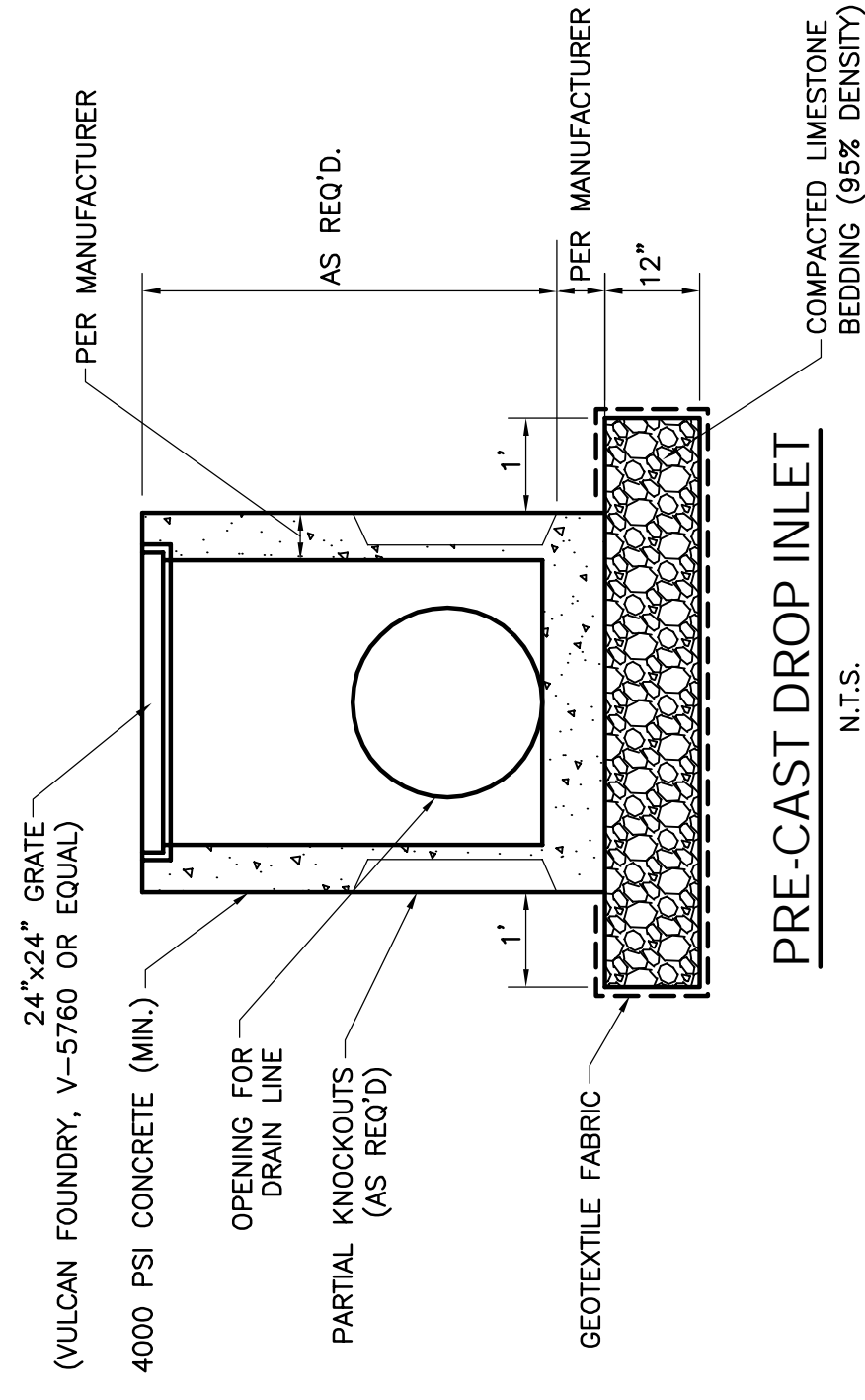


PVC PIPE DRAIN TRENCH DETAIL
N.T.S.



DRAIN LINE BEDDING DETAILS
N.T.S.

NOTE:
BEDDING AND BACKFILL MATERIAL SHALL BE INSTALLED IN 6-INCH LIFTS AND COMPACTED TO 95% MAX DRY DENSITY, IN ACCORDANCE WITH ASTM D698.



- NOTES:
- MATERIALS & FEATURES PER PSI IN 28 DAYS:
 - CONCRETE: CODE PER ACI 308-11S, GRADE 60.
 - REINFORCING TO MEET ASHTO HS 20-44 LOADING.
 - PRECAST STRUCTURE TO MEET ASTM C-857-92.
 - JOINT SEALANT: RAM-NEK GASKET MATERIAL.
 - PRE-CAST CATCH BASINS SHALL BE AS MANUFACTURED BY HANSON OR EQUAL.