

### PAINT SCHEDULE

COLOR PLACEMENT	COLOR NO.	MANUFACTURER
FIELD COLOR (SATIN): *TYPICAL	P1	PITTSBURGH PAINT, FOSSIL STONE, 413-2
TRIM COLOR (GLOSS): *TYPICAL	P2	PITTSBURGH PAINT, BARN DOOR, 433-6
*TYPICAL UNLESS INDICATED OTHERWISE		

### ROOM FINISH SCHEDULE

ROOM	TITLE	FLOOR		BASE		WALL		CEILING		REMARKS				
		MATERIAL	FINISH	MATERIAL	FINISH	MATERIAL	FINISH	MATERIAL	FINISH					
101	GYMNASIUM	VCT	S	RB	/	E	TT	/	A	ES	/	A	EXPOSED	
102	GIRLS RESTROOM	CT	/	D	CT	/	F	CMU	PEB	A	VFG	P	G	9'-0"
103	VESTIBULE	VCT	S	B/C	V4	/	E	CMU	PB	A	AC	/	G	9'-0"
104	JANITOR	CN	S	/	CMU	PEB	A	CMU	PEB	A	AC	/	G	9'-0"
105	BOYS RESTROOM	CT	/	D	CT	/	F	CMU	PEB	A	VFG	P	G	9'-0"
106	CONCESSION STORAGE	QT	/	C	QT	/	C	CMU	PB	A	VFG	/	G	9'-0"
107	SPRINKLER/ELEC. ROOM	CN	S	/	CMU	PEB	A	CMU	PB	A	ES	/	/	EXPOSED
108	CONCESSION	QT	/	C	QT	/	C	CMU	PB	A	VFG	/	G	9'-0"
109	STORAGE	CN	S	/	CN	PEB	A	CMU	PB	A	ES	/	/	EXPOSED

### COLORS & MFR'S

MARK	DESCRIPTION
A	COLOR TO BE SELECTED
B	VCT-1: ARMSTRONG (OR EQUAL) - STANDARD VCT - 12"x12"x1/8" - FIELD JUBILEE WHITE, 52514
C	VCT-2: ARMSTRONG (OR EQUAL) - STANDARD VCT - 12"x12"x1/8" - ACCENT CAYENNE RED, 51943
D	DAL-TILE (OR EQUAL) - 2"x2" - CERAMIC MOSAIC - DK325 MARBLE, #386
E	ARMSTRONG (OR EQUAL) - STANDARD VINYL WALL BASE - 4" HIGH - FLEXCO, VCB-041 QUARRY RED
F	DAL-TILE OR AMERICAN OLEAN - SEMI-GLOSS - COVE - 4-1/4"x4-1/4" - MATCH WALLS
G	WHITE

### MATERIAL

MARK	DESCRIPTION
AC	ACOUSTICAL CEILING TILE
CMU	CONCRETE BLOCK
CN	CONCRETE
CT	CERAMIC TILE
ES	EXPOSED STRUCTURE
GB	GYPSUM BOARD
QT	QUARRY TILE
R4	RUBBER BASE
TT	TECTUM
V4	VINYL BASE
VCT	VINYL COMPOSITION TILE
VFG	VINYL FACED GYPSUM

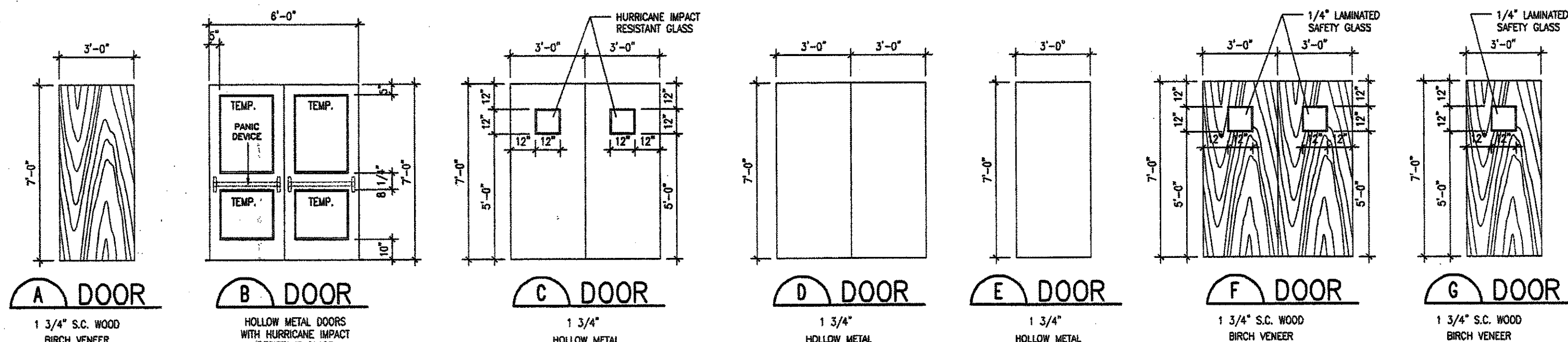
### GENERAL NOTES

1. PLASTIC LAMINATE COLORS FOR CABINERY TO BE SELECTED FROM MANUFACTURER'S FULL RANGE OF COLORS, TO INCLUDE SOLIDS & PATTERNS.
2. TOILET PARTITION COLORS TO BE SELECTED FROM MANUFACTURER'S STANDARD COLORS.
3. GROUT FOR CERAMIC TILE TO BE SELECTED.
4. PREPARE FLOOR SURFACES IN ACCORDANCE WITH FLOOR FINISH MANUFACTURER'S RECOMMENDATIONS.

NOTE:  
COLORS SHOWN ARE FOR BID PURPOSES ONLY  
AND ARE SUBJECT TO CHANGE PENDING REVIEW  
BY OWNER.

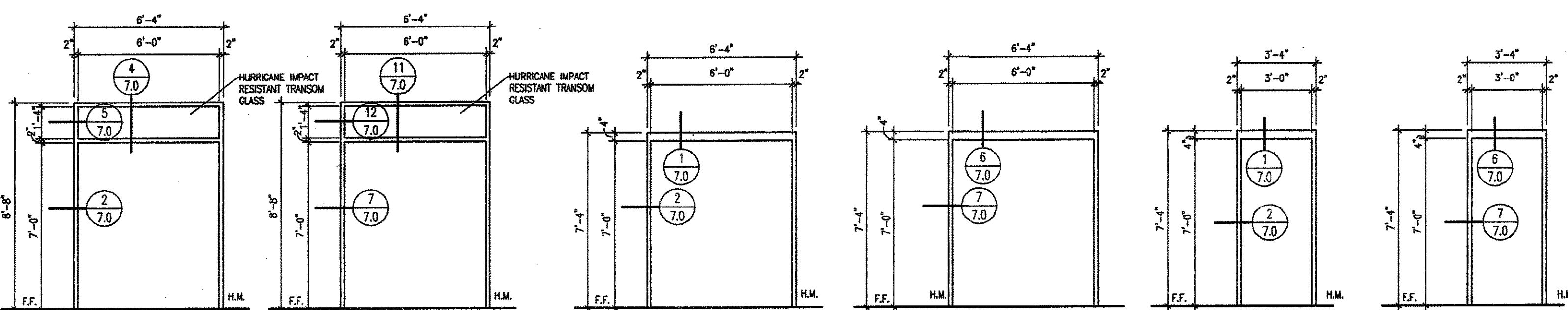
### FINISHES

MARK	DESCRIPTION	MARK	DESCRIPTION
S	SEALER	/	NOT USED
PEB	PAINTED EPOXY ON BLOCK	/	NOT USED
PB	PAINTED LATEX ON BLOCK	/	NOT USED
P	PAINTED	/	NOT USED



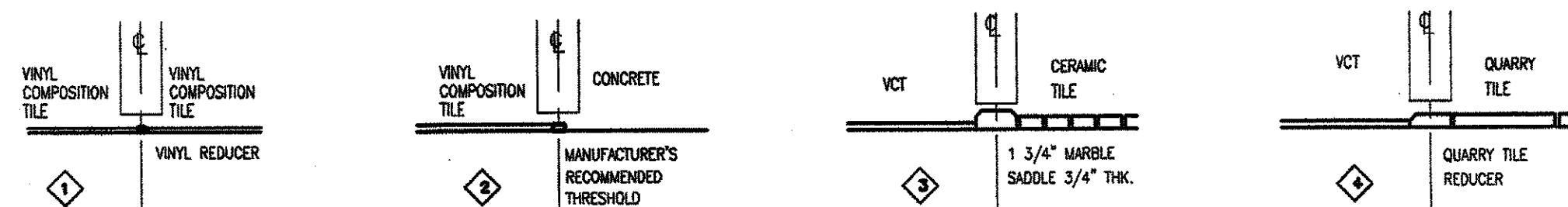
### DOOR TYPES

SCALE: 1/4" = 1'-0"



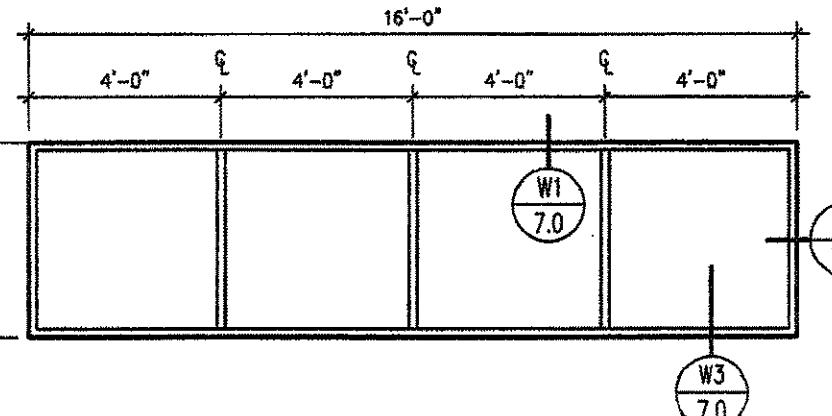
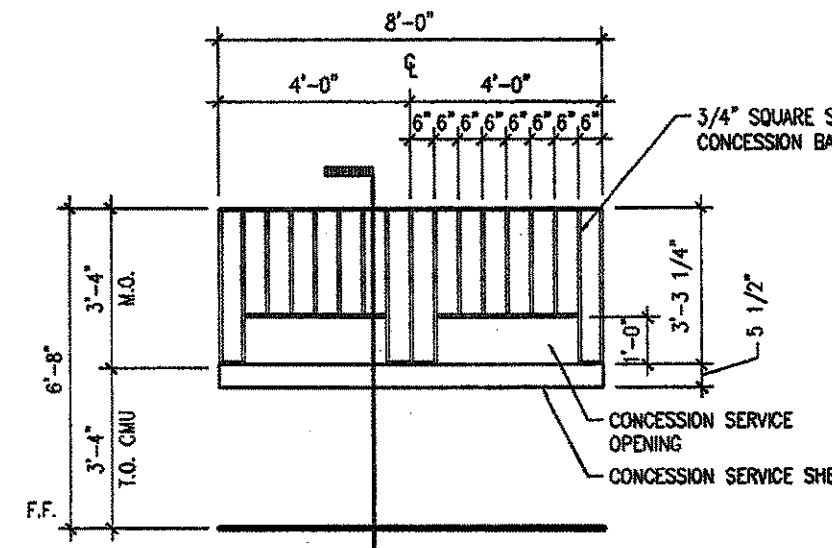
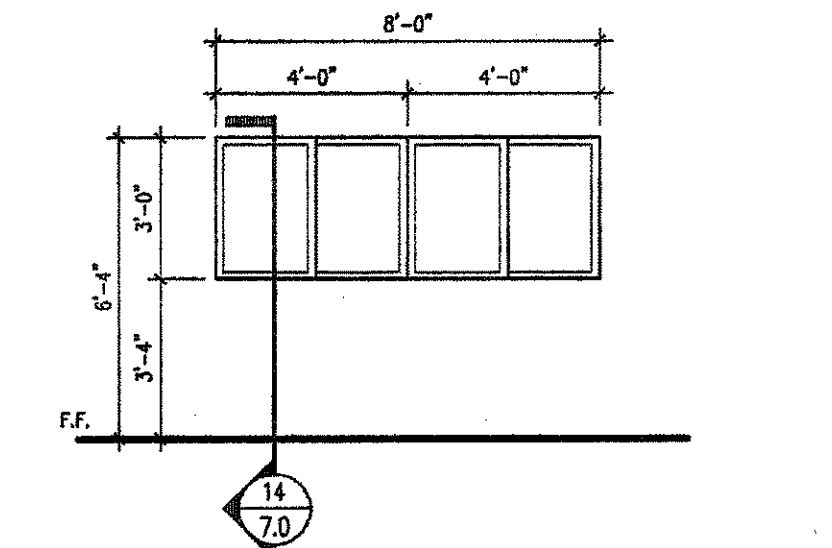
### FRAME TYPES

SCALE: 1/4" = 1'-0"



### THRESHOLDS

NOT TO SCALE



### WINDOW TYPES

SCALE: 1/4" = 1'-0"

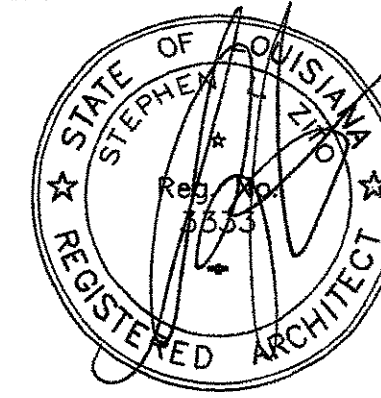
MULTI-PURPOSE BUILDING FOR  
**NORTHLAKE CHRISTIAN SCHOOL**  
70104 WOLVERINE DRIVE  
COVINGTON, LOUISIANA 70433

**ZITO-RUSSELL**  
ARCHITECTS, P.C.  
820 S. UNIVERSITY BLVD., SUITE 2G  
MOBILE, AL. 36609  
PHONE (251) 343-6181  
FAX (251) 343-5505

© COPYRIGHT 2010  
ZITO - RUSSELL  
ARCHITECTS, P.C.

REVISIONS

NO.	DATE	DESCRIPTION



FILE 3316

DATE 07/16/10

SHEET

**A-5.0**