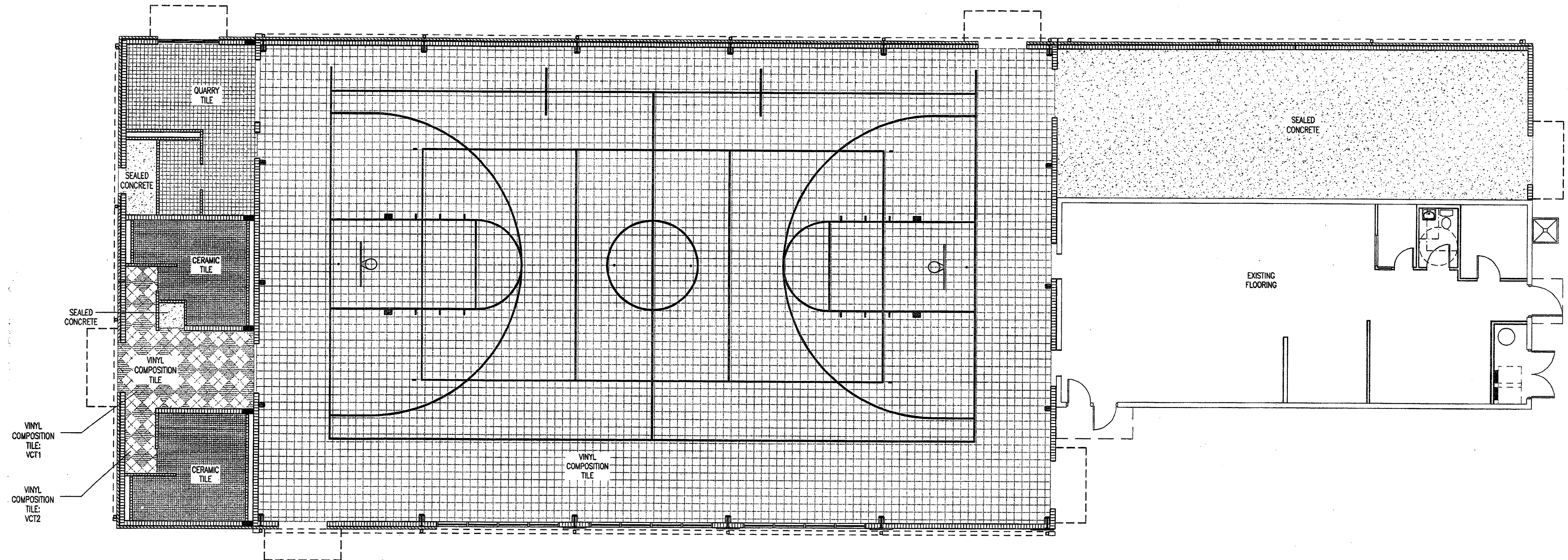
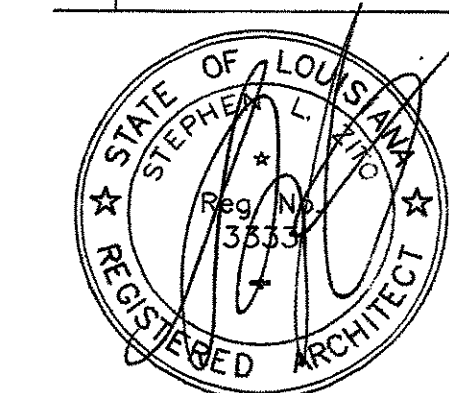
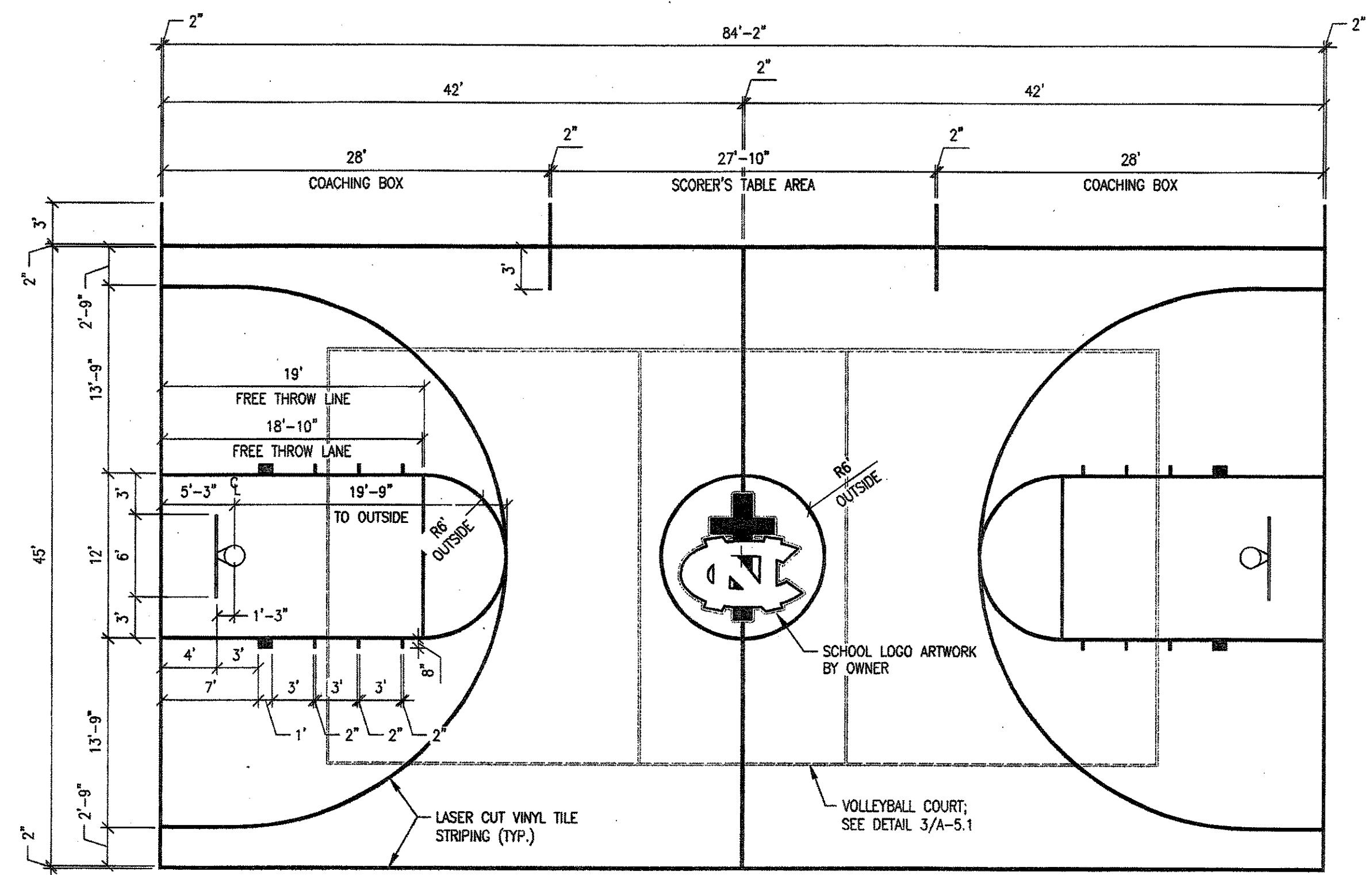


REVISIONS

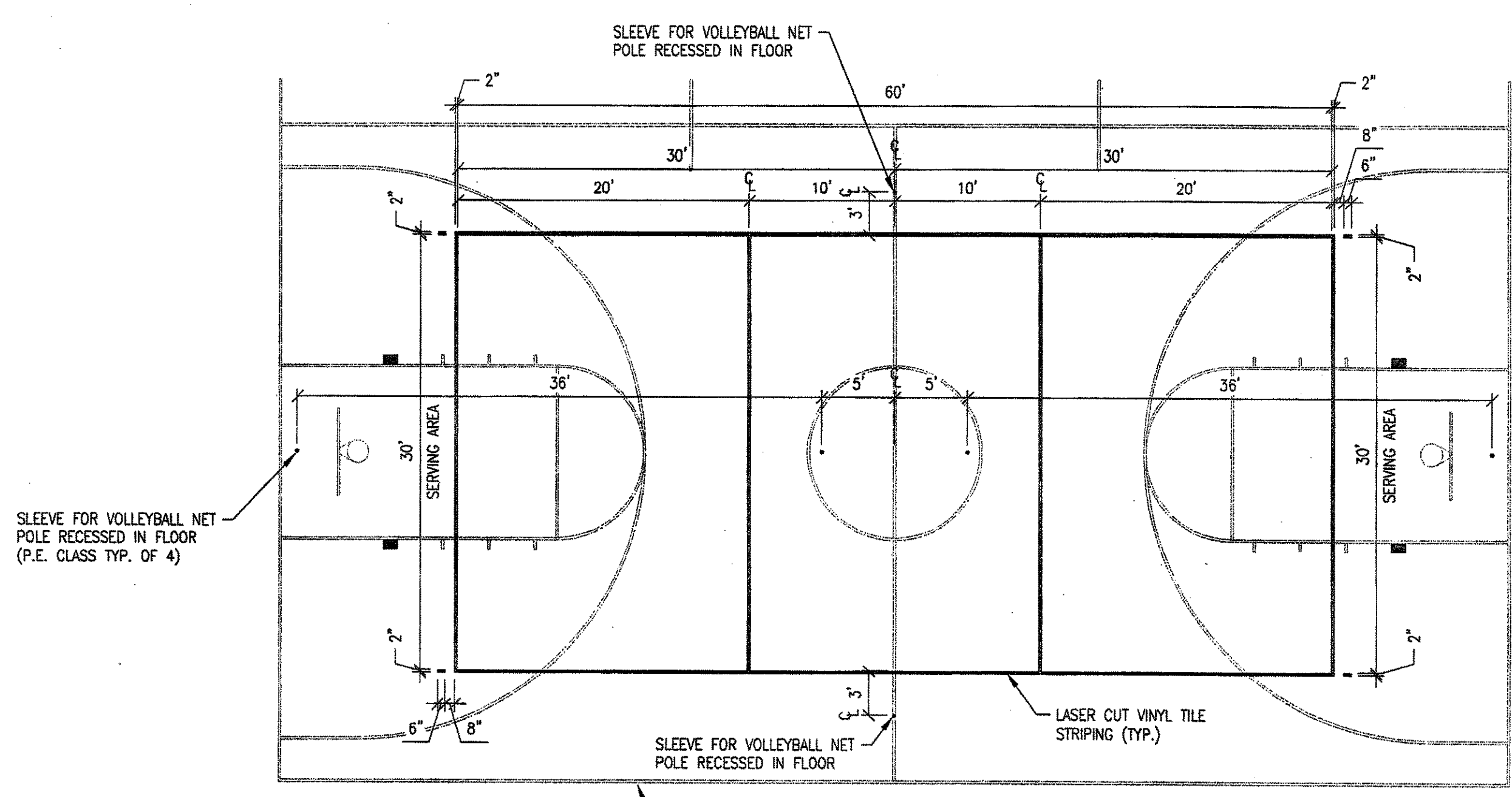


1 FLOOR FINISH PLAN
 A-5.1 SCALE: 1/8" = 1'-0"



2 BASKETBALL COURT STRIPING PLAN
 A-5.1 SCALE: 1/8" = 1'-0"

NOTE:
 LASER CUT VINYL TILE
 COLORS TO BE SELECTED
 FROM MANUFACTURER'S
 STANDARD COLORS.



3 VOLLEYBALL COURT STRIPING PLAN
 A-5.1 SCALE: 1/8" = 1'-0"

DRAWN: MLP
 SCALE: AS NOTED
 FILE: 3316-AS.1

MULTI-PURPOSE BUILDING FOR
 NORTHLAKE CHRISTIAN SCHOOL
 70104 WOLVERINE DRIVE
 COVINGTON, LOUISIANA 70433