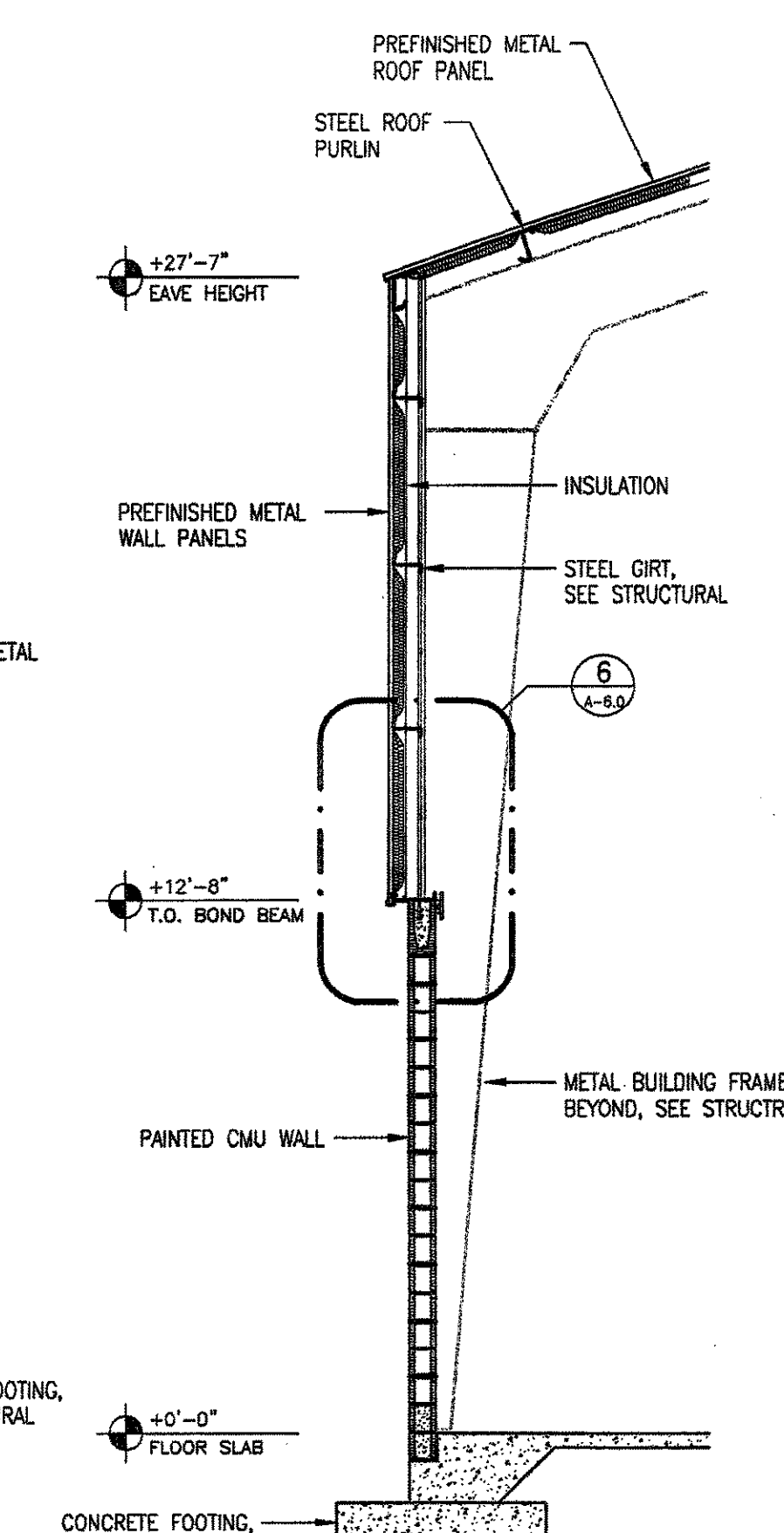
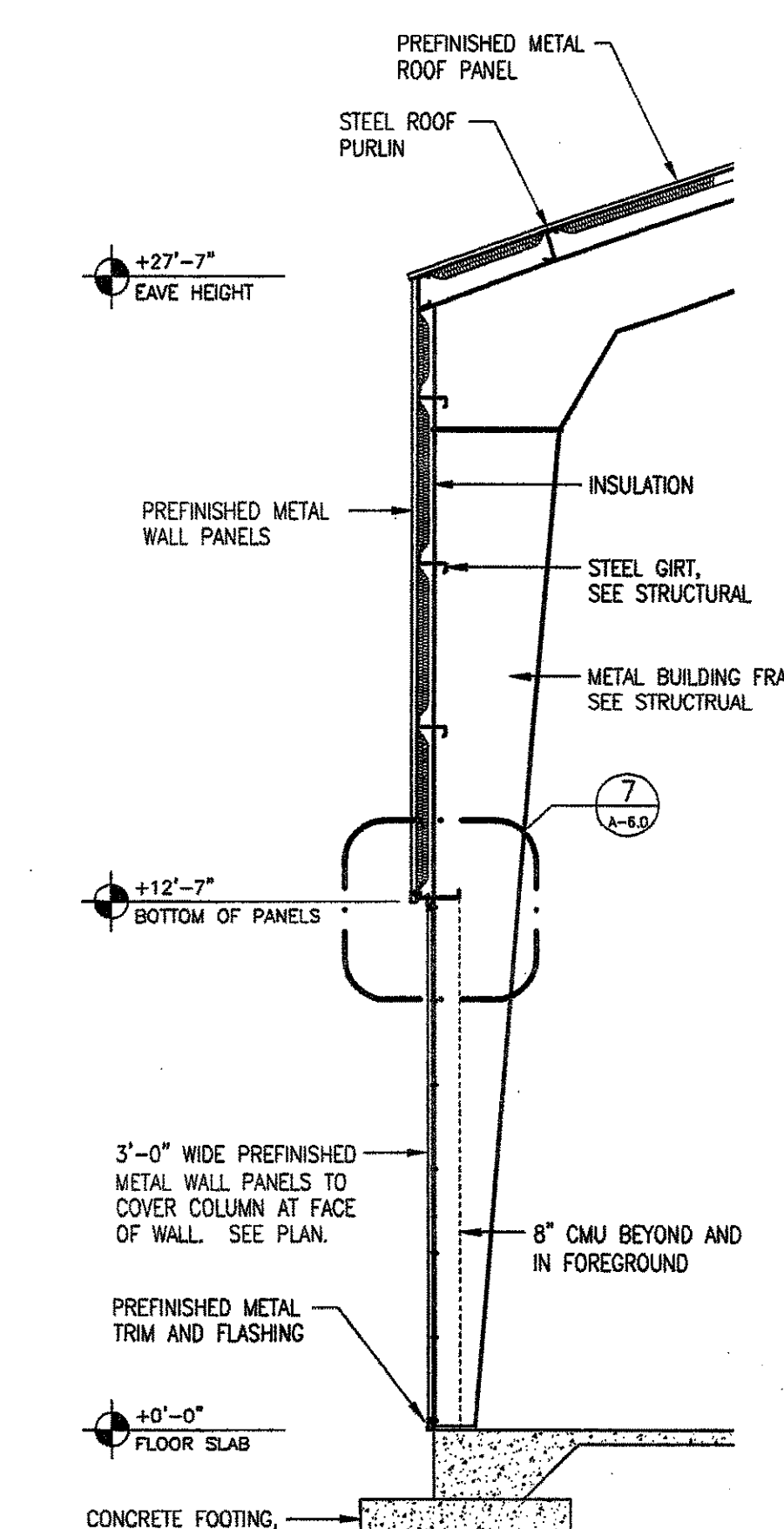


1 GYM SECTION
A-6.0 SCALE: 1/4" = 1'-0"

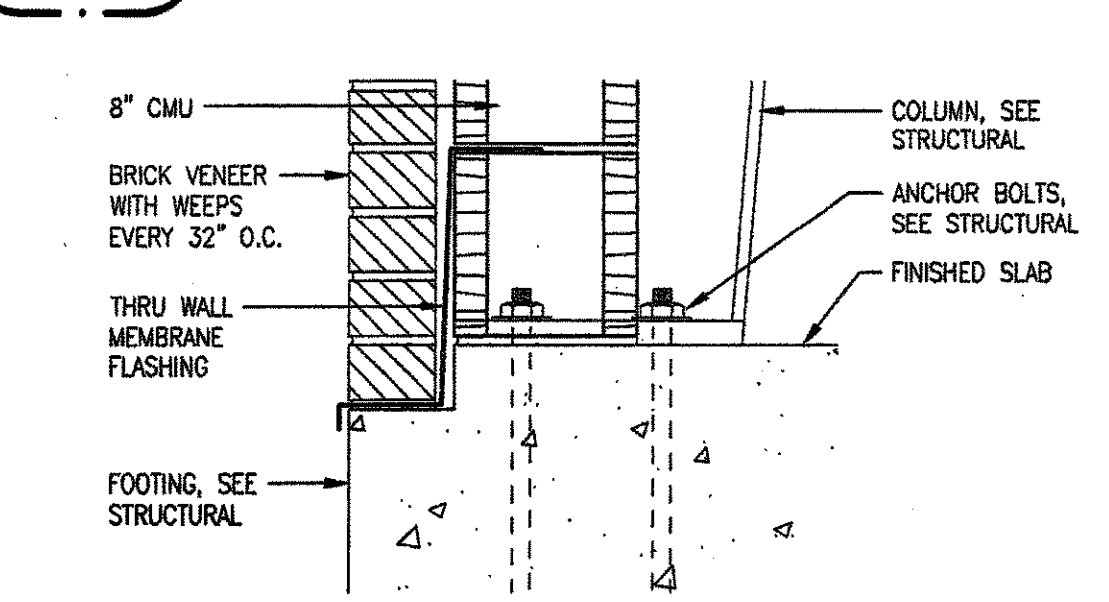
NOTE: PAINT ALL EXPOSED STRUCTURE AND GOAL SUPPORTS. COLOR(S) TO BE SELECTED BY OWNER.



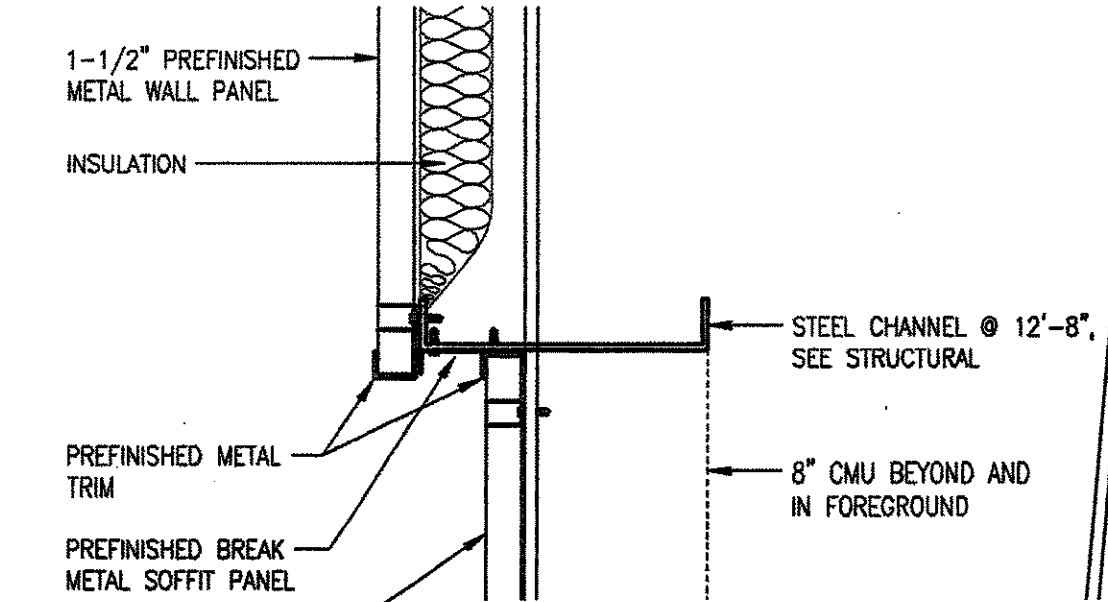
3 GYM SECTION
A-6.0 SCALE: 1/4" = 1'-0"



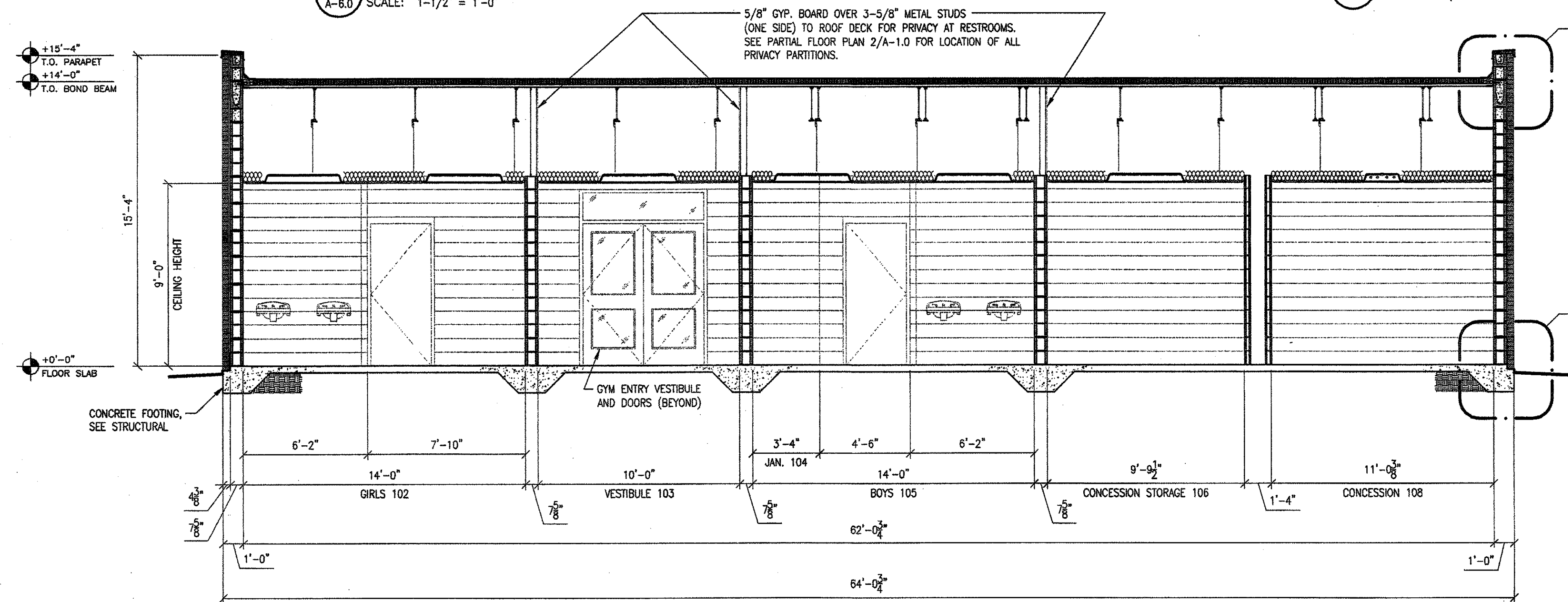
4 GYM SECTION THRU FRAME
A-6.0 SCALE: 1/4" = 1'-0"



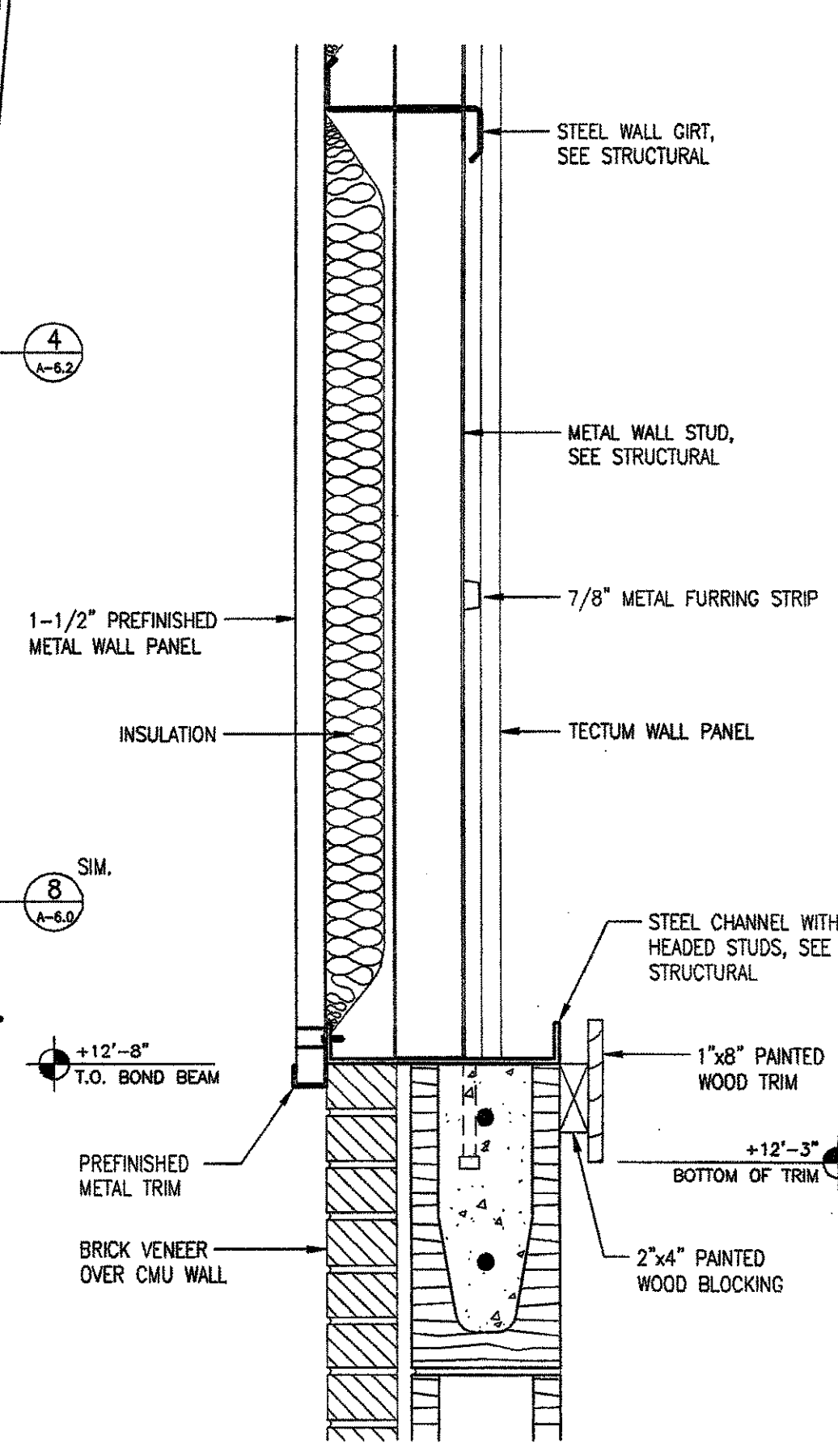
8 WALL DETAIL
A-6.0 SCALE: 1-1/2" = 1'-0"



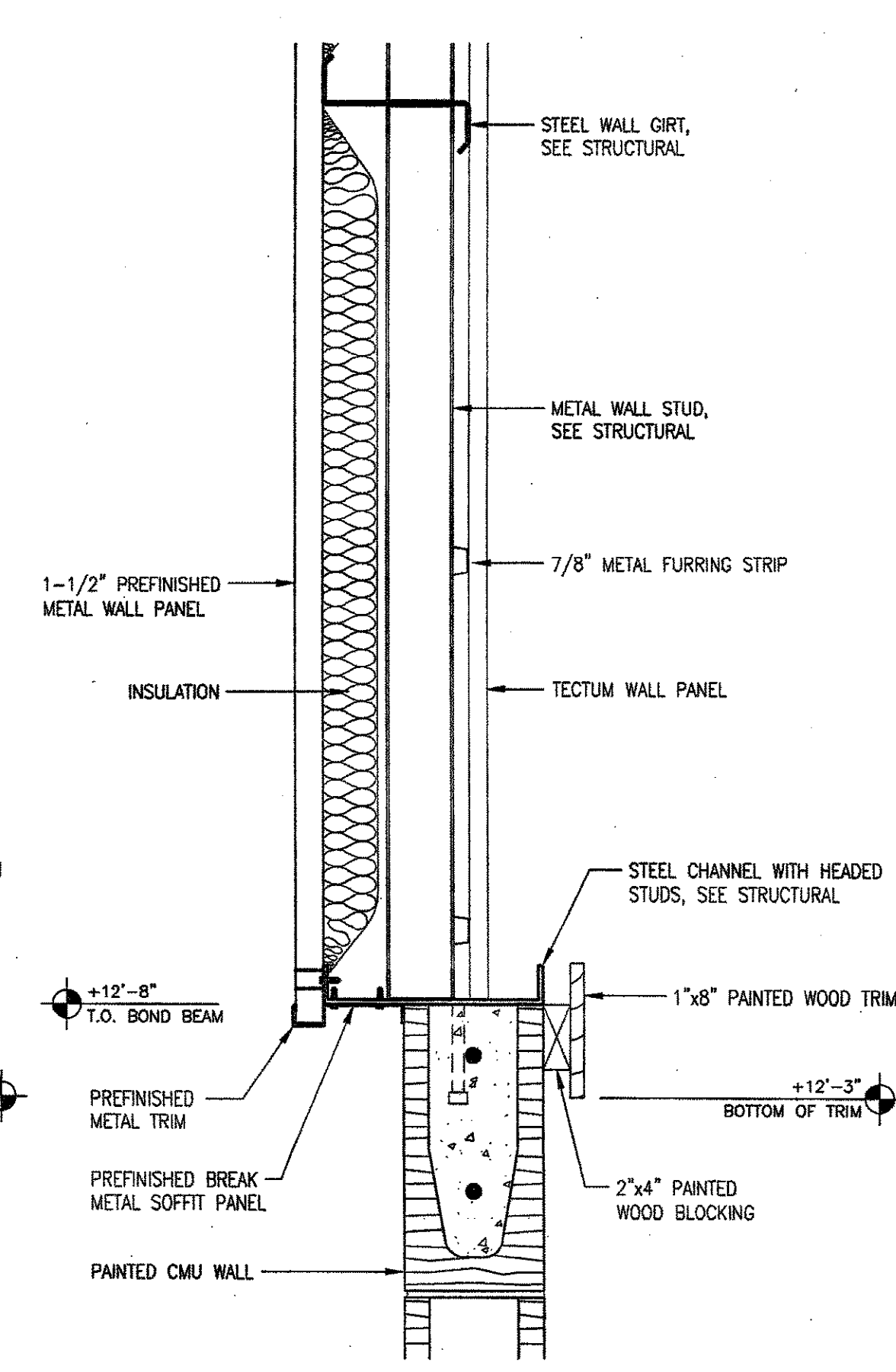
7 WALL DETAIL
A-6.0 SCALE: 1-1/2" = 1'-0"



2 RESTROOM/CONCESSION SECTION
A-6.0 SCALE: 1/4" = 1'-0"



5 WALL DETAIL
A-6.0 SCALE: 1-1/2" = 1'-0"



6 WALL DETAIL
A-6.0 SCALE: 1-1/2" = 1'-0"

MULTI-PURPOSE BUILDING FOR
NORTHLAKE CHRISTIAN SCHOOL
70104 WOLVERINE DRIVE
COVINGTON, LOUISIANA 70433

ZITO·RUSSELL
ARCHITECTS, P.C.
820 S. UNIVERSITY BLVD., SUITE 20 MOBILE, AL 36608
PHONE (251) 343-6161 FAX (251) 343-5505

© COPYRIGHT 2010
ZITO - RUSSELL
ARCHITECTS, P.C.
REVISIONS
FILE 3316
DATE 07/16/10
SHEET

A-6.0

MULTI-PURPOSE BUILDING FOR
NORTHLAKE CHRISTIAN SCHOOL
70104 WOLVERINE DRIVE
COVINGTON, LOUISIANA 70433
FILE: 3316-A6.0

SCALE: AS NOTED
DRAWN: MLP