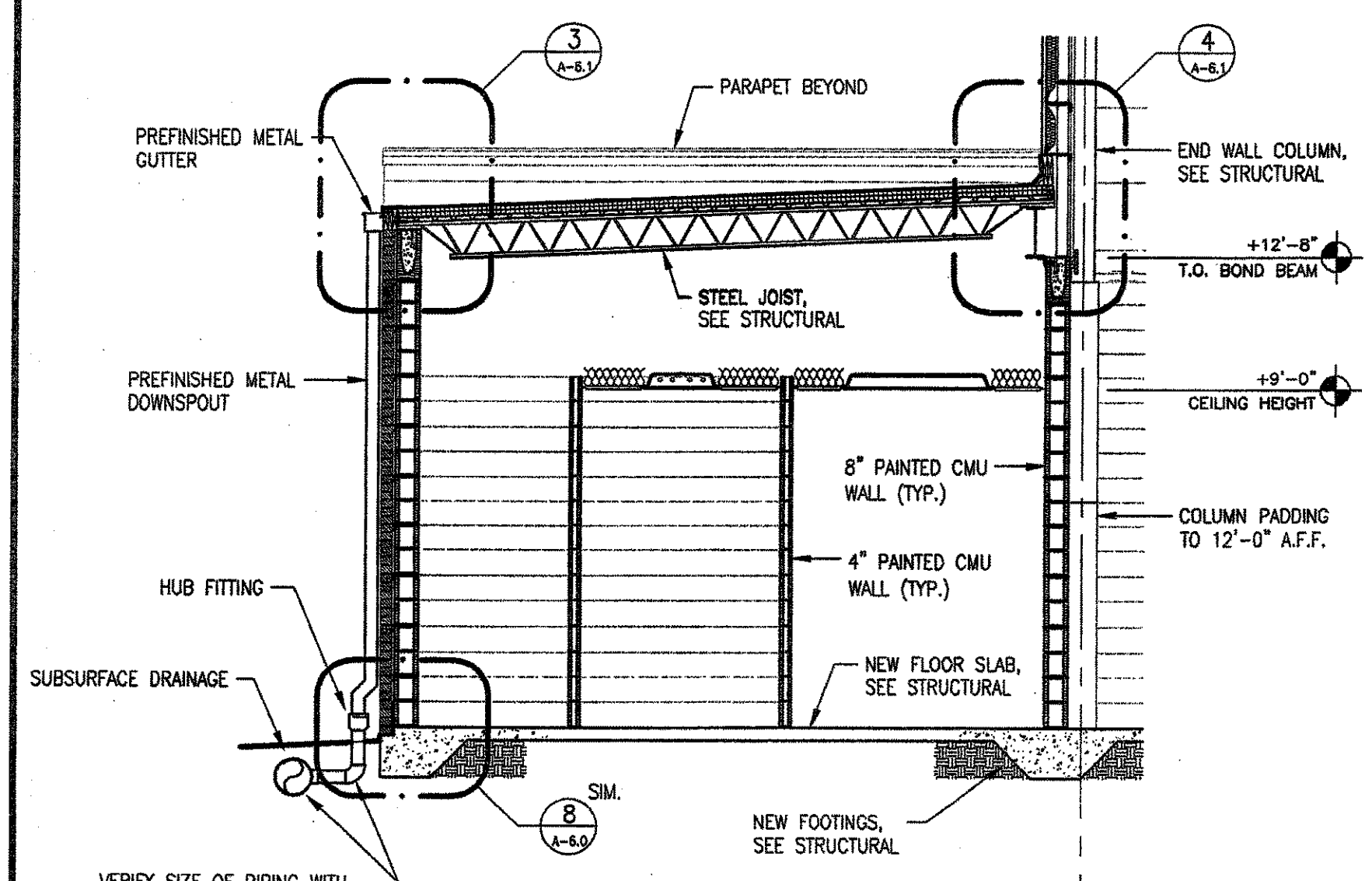
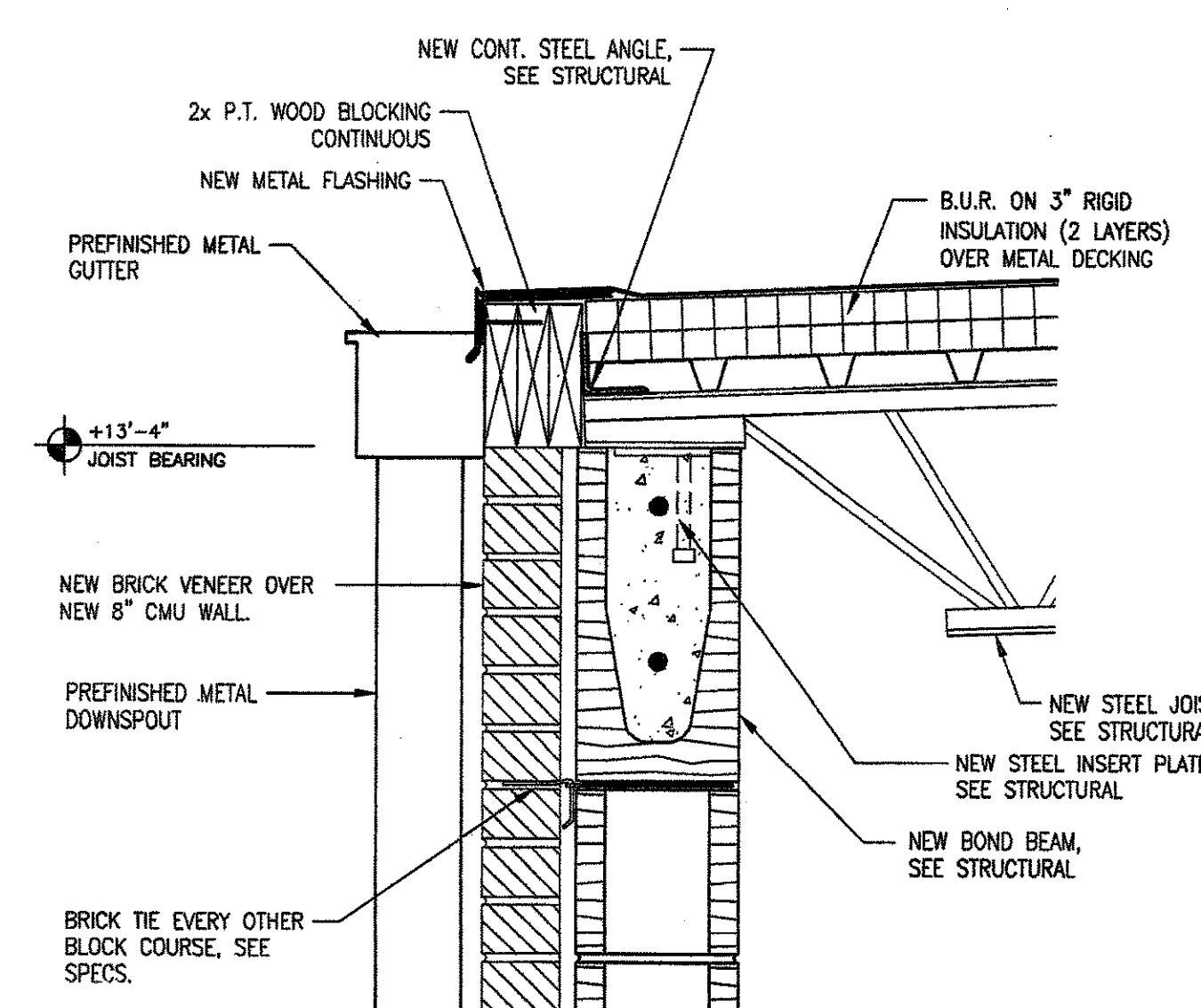


SEE 2/A-6.1 BELOW

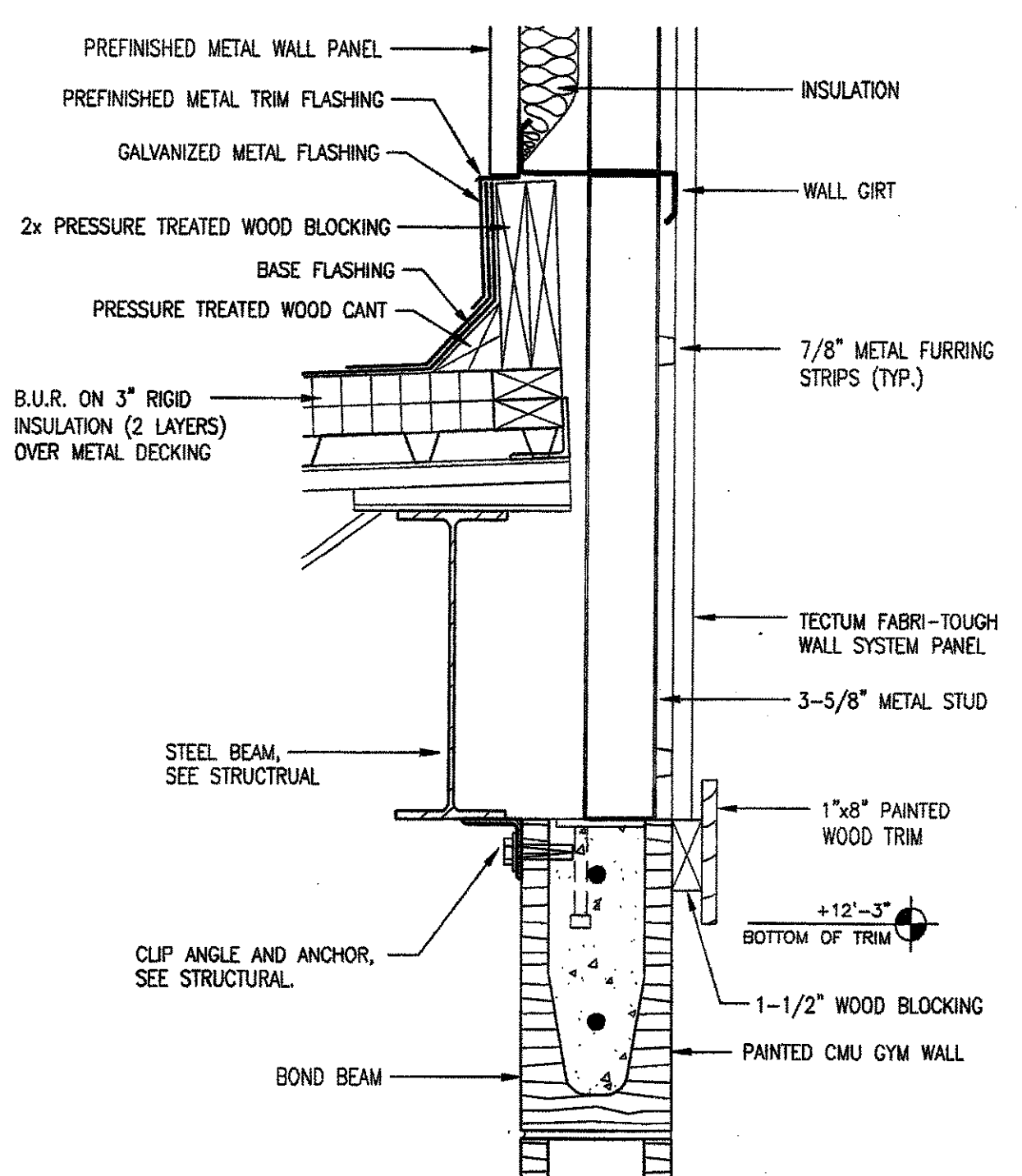
1 BUILDING SECTION
A-6.1 SCALE: 1/4" = 1'-0"



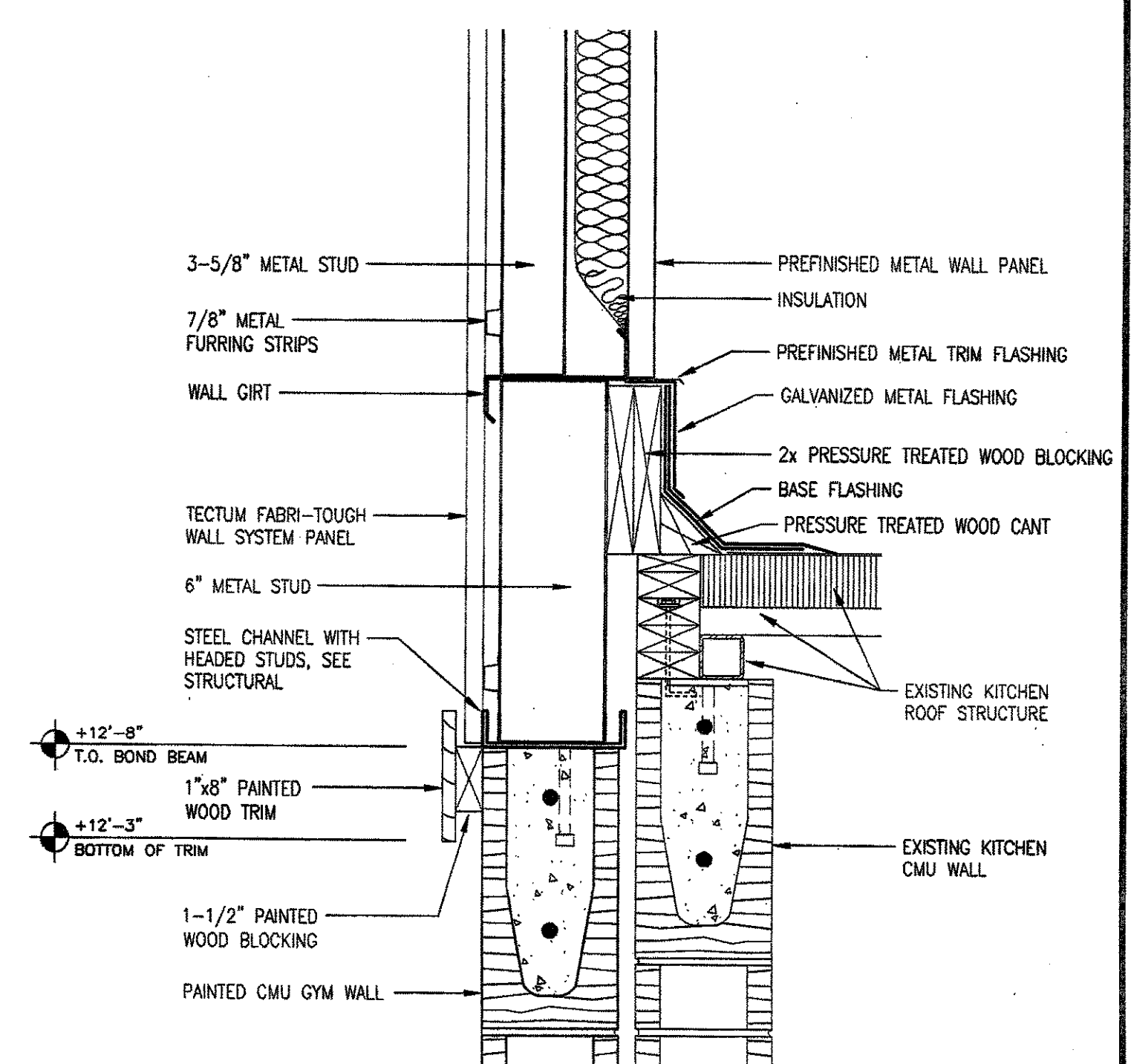
2 BUILDING SECTION
A-6.1 SCALE: 1/4" = 1'-0"



3 WALL DETAIL
A-6.1 SCALE: 1 1/2" = 1'-0"



4 WALL DETAIL
A-6.1 SCALE: 1 1/2" = 1'-0"



5 WALL DETAIL
A-6.1 SCALE: 1 1/2" = 1'-0"

DRAWN: MLP
SCALE: AS NOTED
MULTI-PURPOSE BUILDING FOR NORTHLAKE CHRISTIAN SCHOOL
70104 WOLVERINE DRIVE
COVINGTON, LOUISIANA 70433
FILE: 3316-A6.1

VERIFY SIZE OF PIPING WITH CIVIL ENGINEER PRIOR TO CONSTRUCTION.

MULTI-PURPOSE BUILDING FOR
NORTHLAKE CHRISTIAN SCHOOL
70104 WOLVERINE DRIVE
COVINGTON, LOUISIANA 70433

ZITO·RUSSELL
ARCHITECTS, P.C.
820 S. UNIVERSITY BLVD. SUITE 26 MOBILE, AL 36609
PHONE (251) 343-6161 FAX (251) 343-5505

© COPYRIGHT 2010
ZITO - RUSSELL
ARCHITECTS, P.C.
REVISIONS

FILE 3316
DATE 07/16/10
SHEET

A-6.1