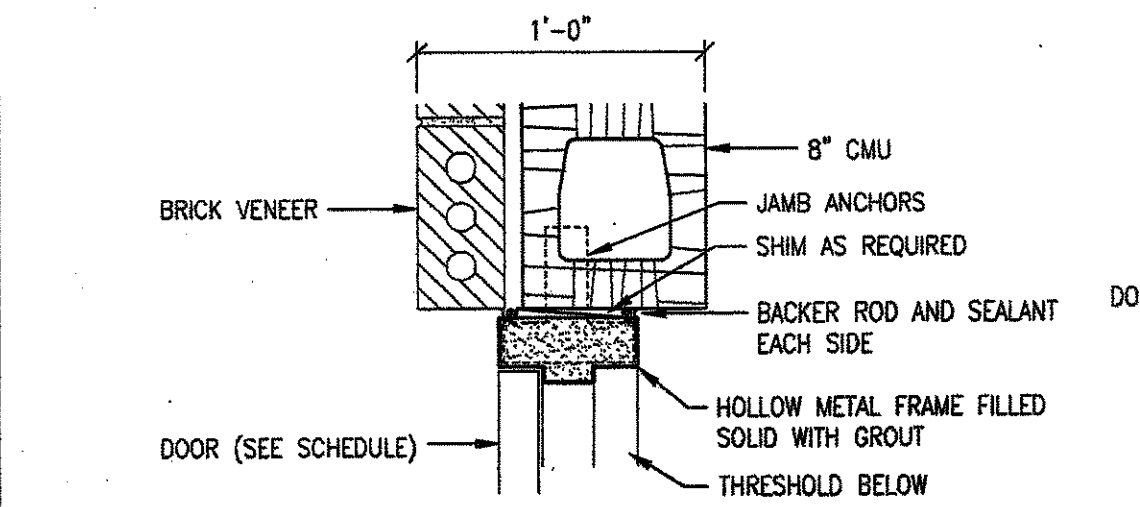
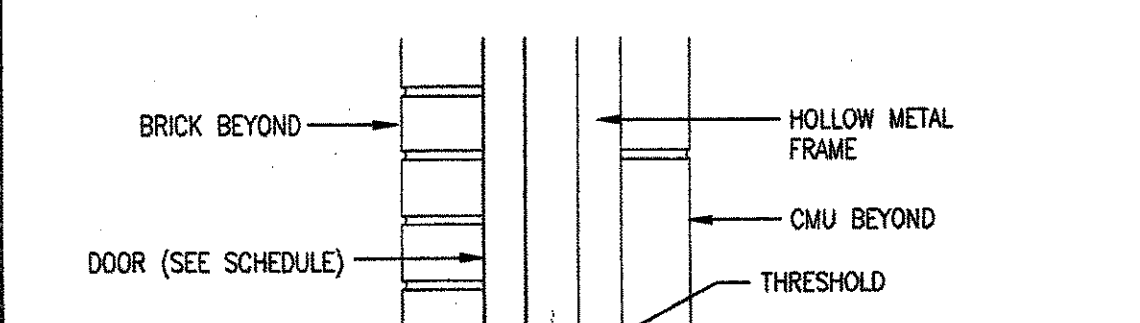


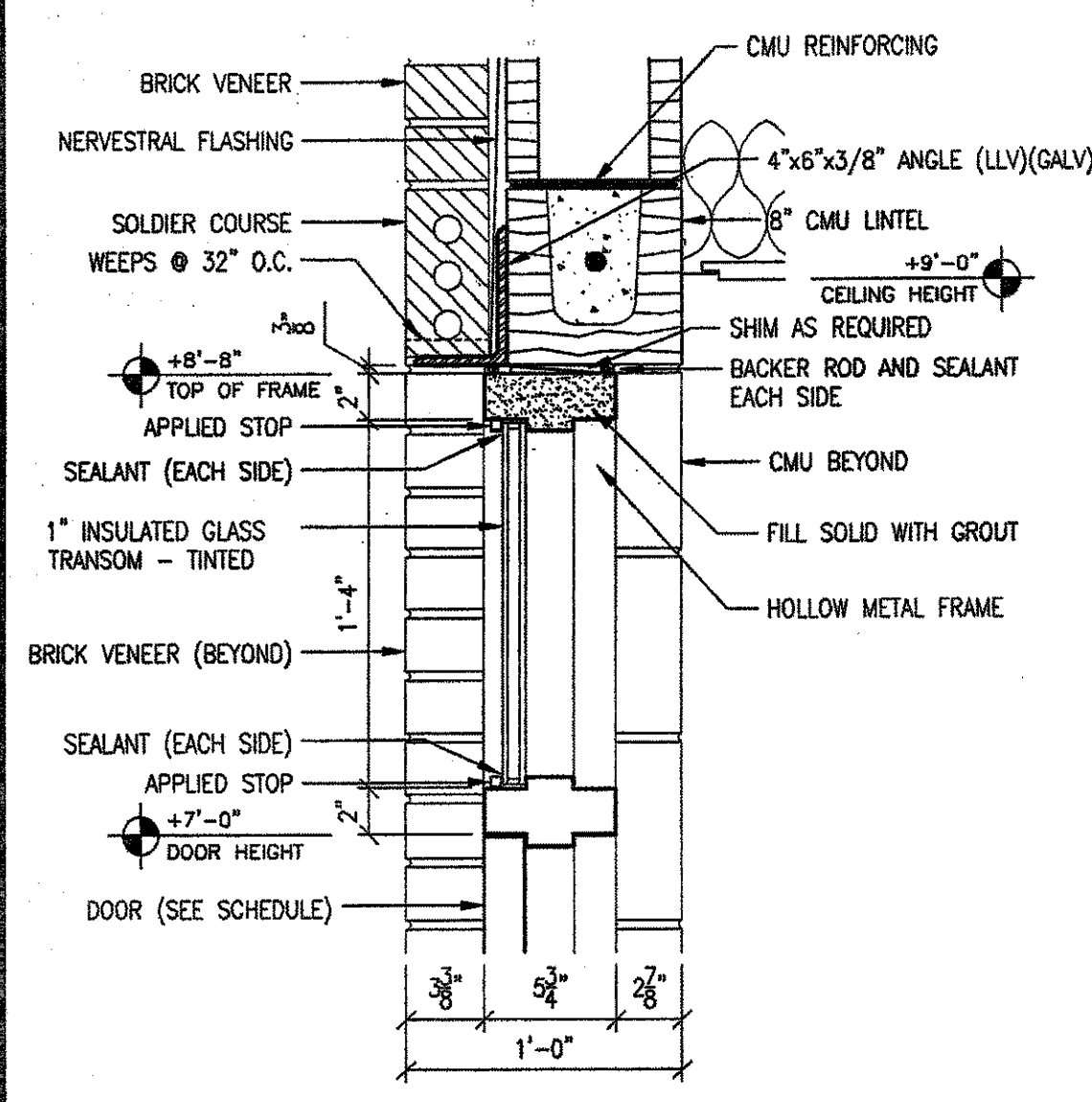
1 HEAD
A-7.0 SCALE: 1 1/2" = 1'-0"



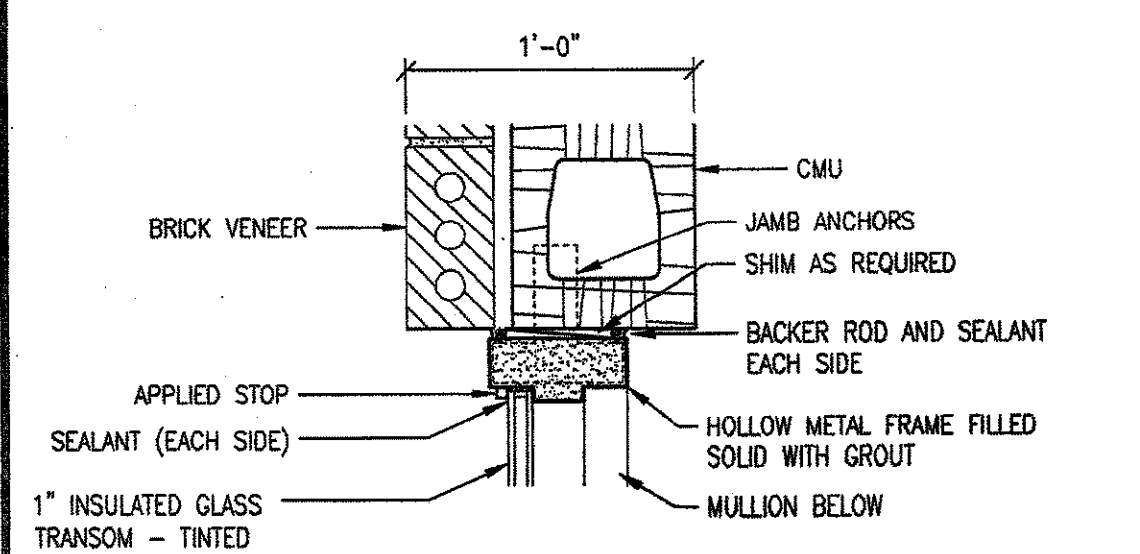
2 JAMB
A-7.0 SCALE: 1 1/2" = 1'-0"



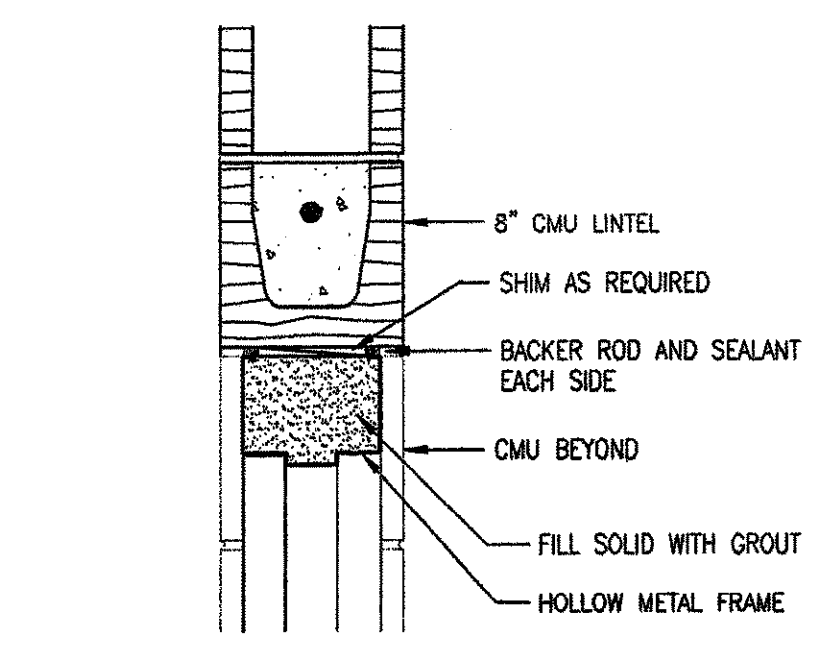
3 SILL
A-7.0 SCALE: 1 1/2" = 1'-0"



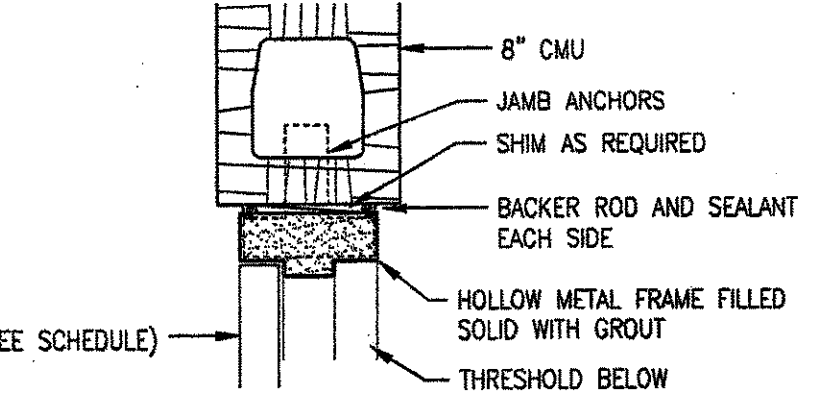
4 HEAD & MULL
A-7.0 SCALE: 1 1/2" = 1'-0"



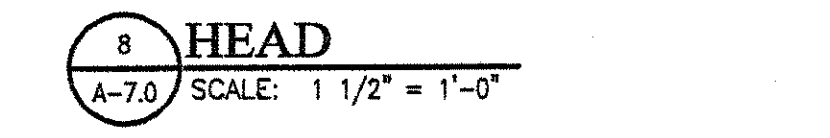
5 JAMB
A-7.0 SCALE: 1 1/2" = 1'-0"



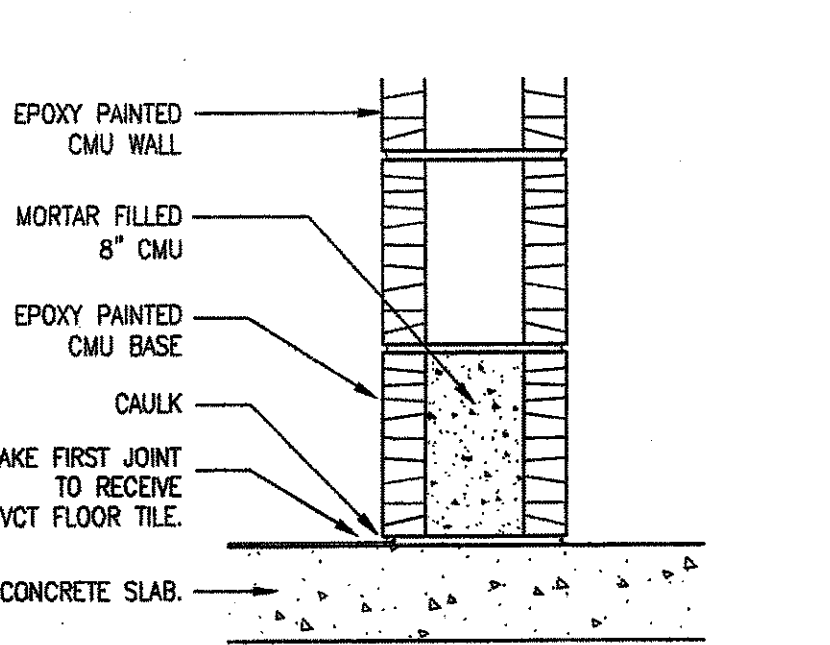
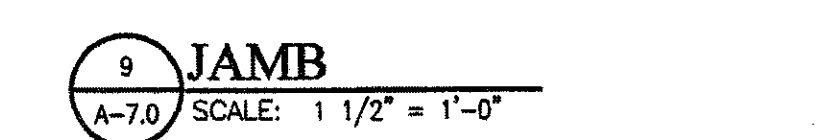
6 HEAD
A-7.0 SCALE: 1 1/2" = 1'-0"



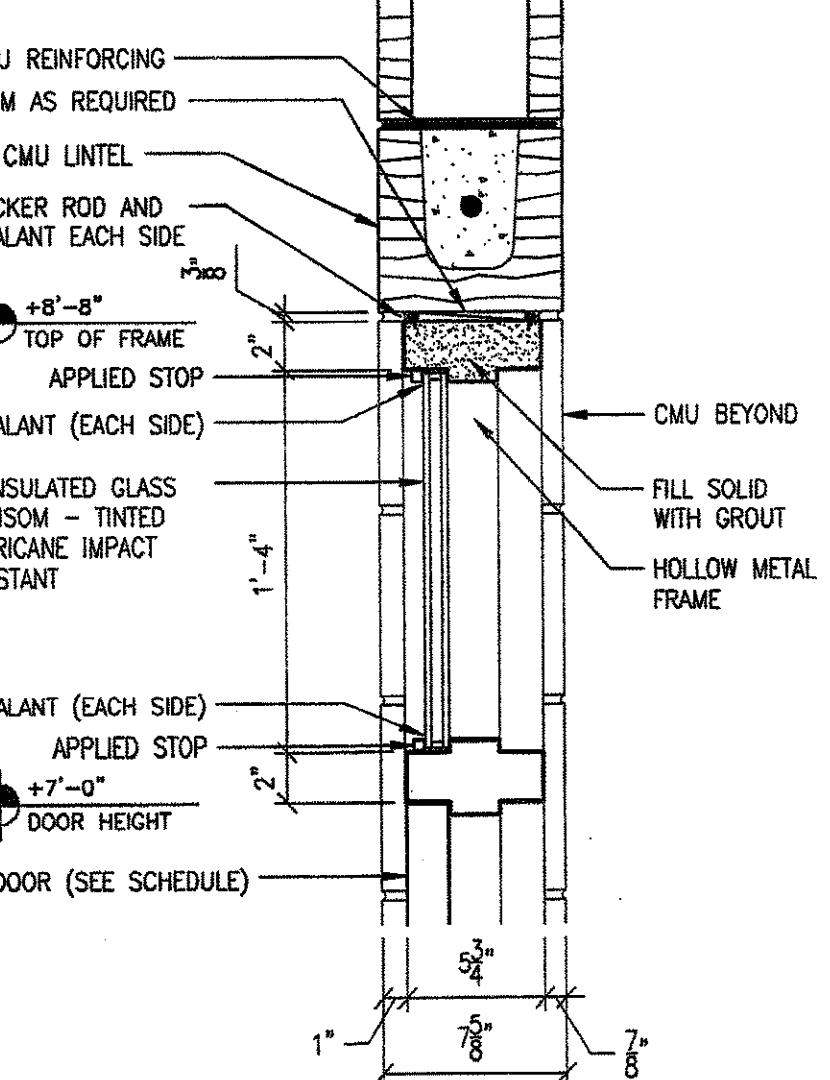
7 JAMB
A-7.0 SCALE: 1 1/2" = 1'-0"



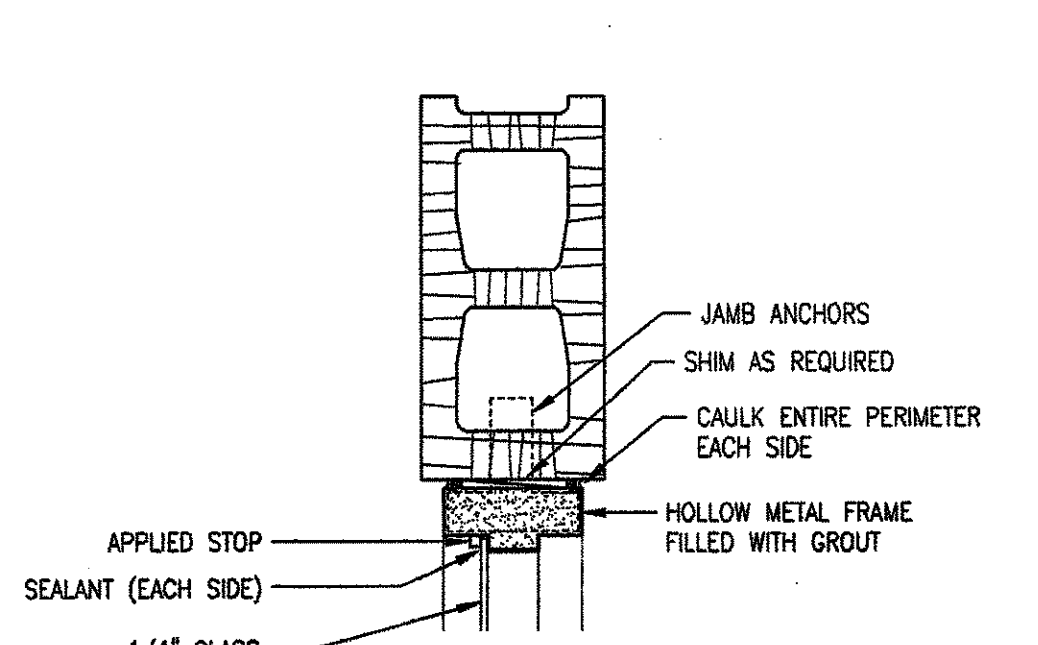
8 HEAD
A-7.0 SCALE: 1 1/2" = 1'-0"



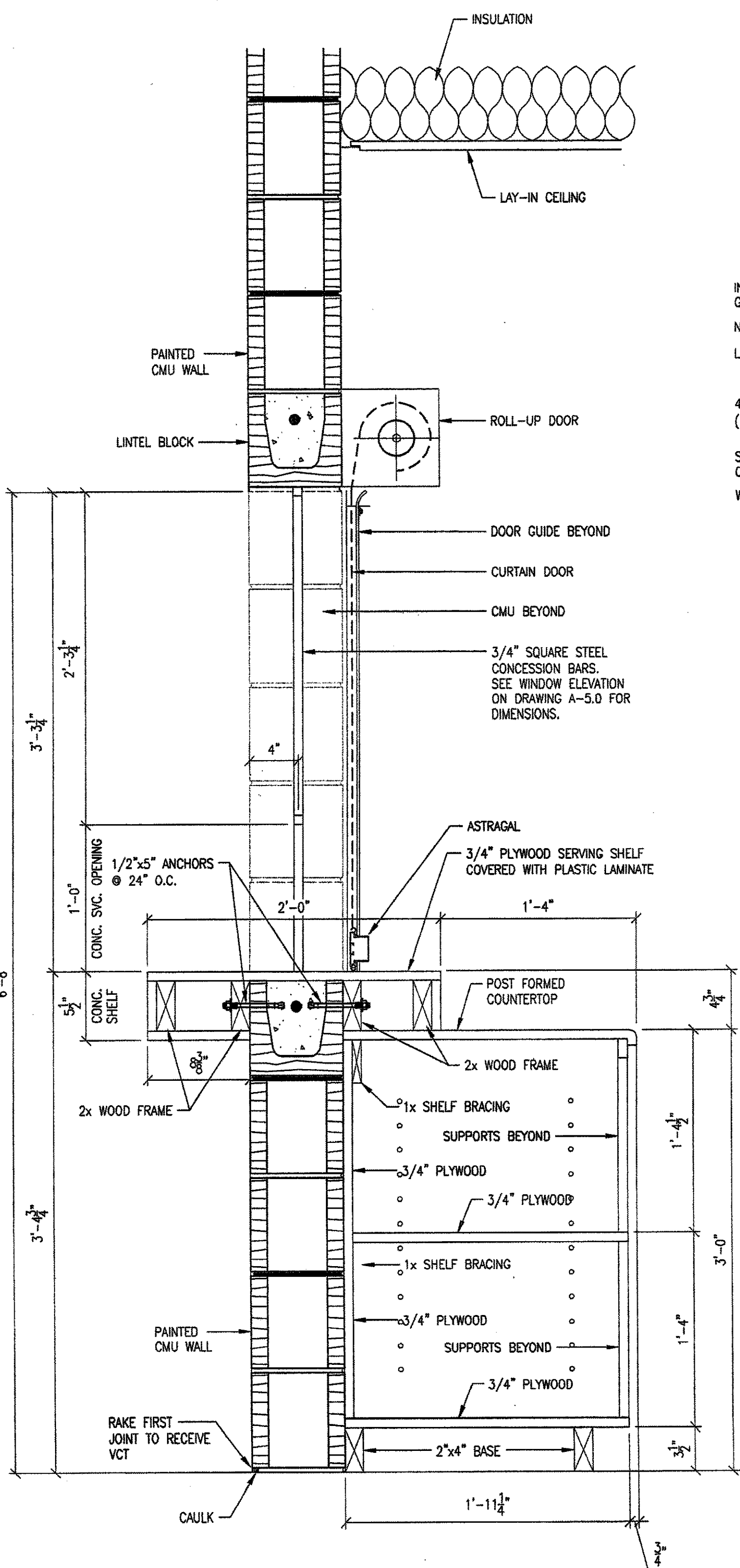
10 SECTION
A-7.0 SCALE: 1 1/2" = 1'-0"



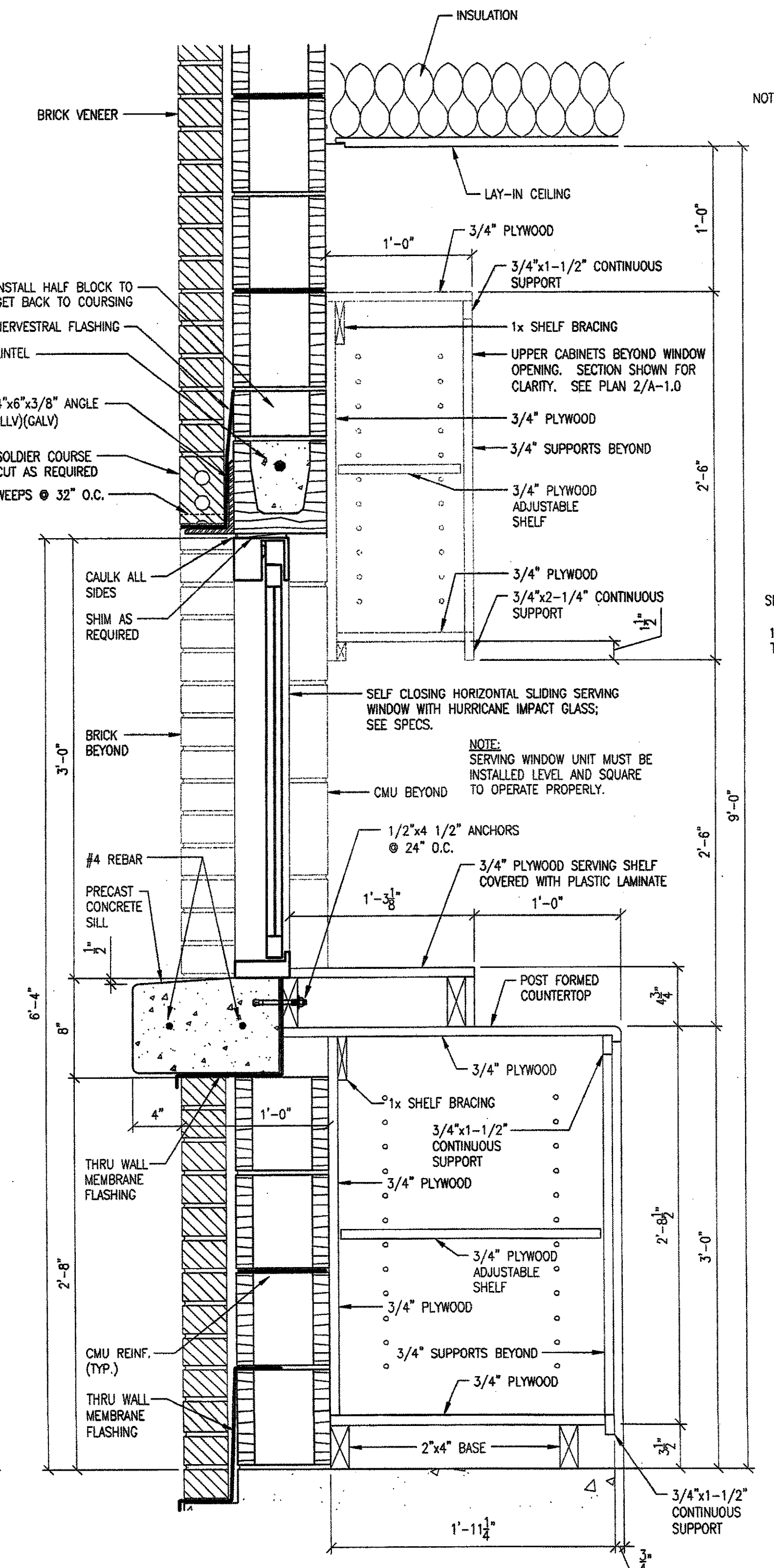
11 HEAD & MULL
A-7.0 SCALE: 1 1/2" = 1'-0"



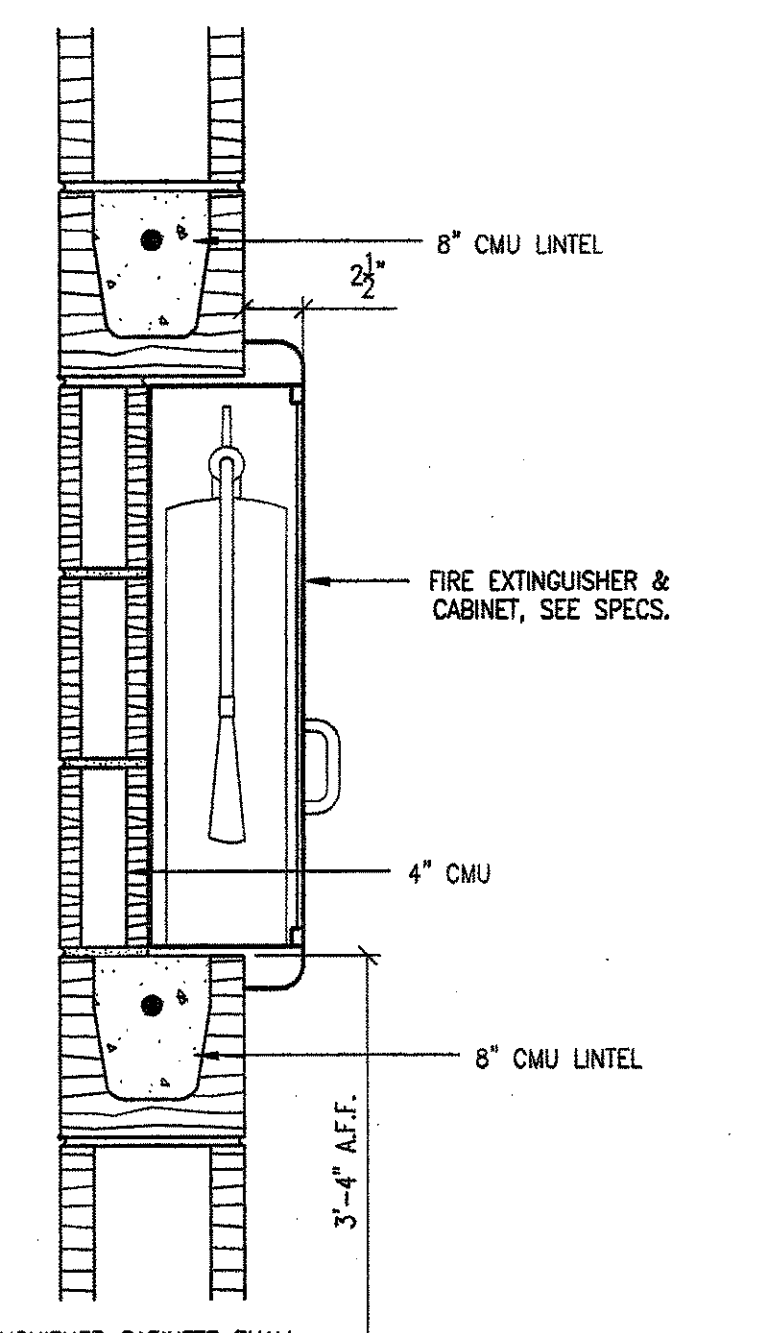
12 JAMB
A-7.0 SCALE: 1 1/2" = 1'-0"



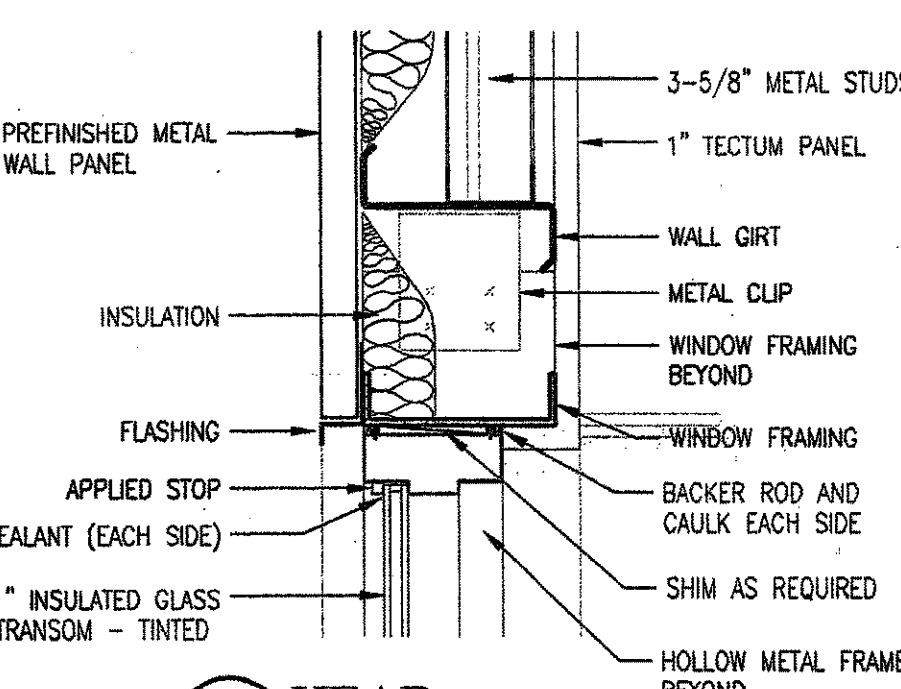
13 INTERIOR CONCESSION WINDOW
A-7.0 SCALE: 1 1/2" = 1'-0"



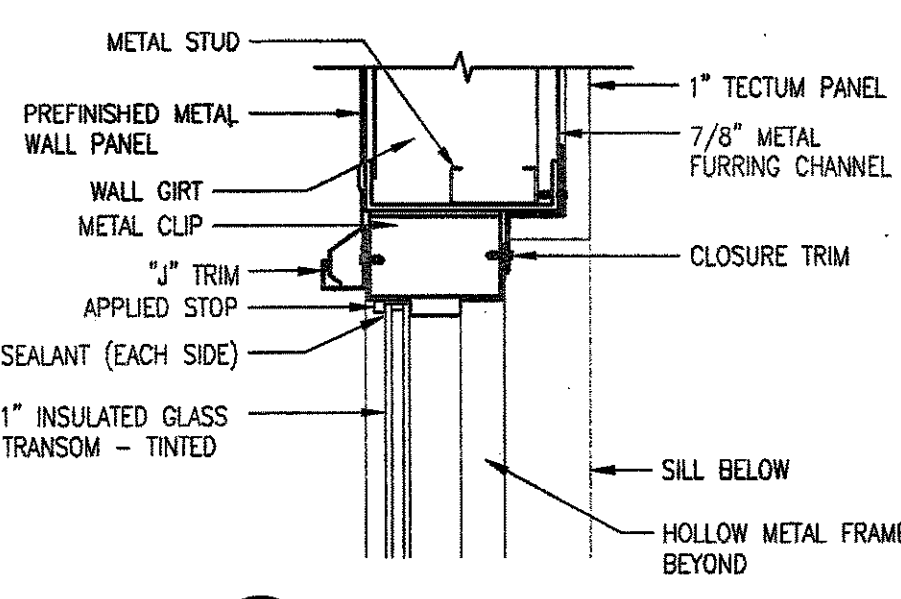
14 EXTERIOR CONCESSION WINDOW
A-7.0 SCALE: 1 1/2" = 1'-0"



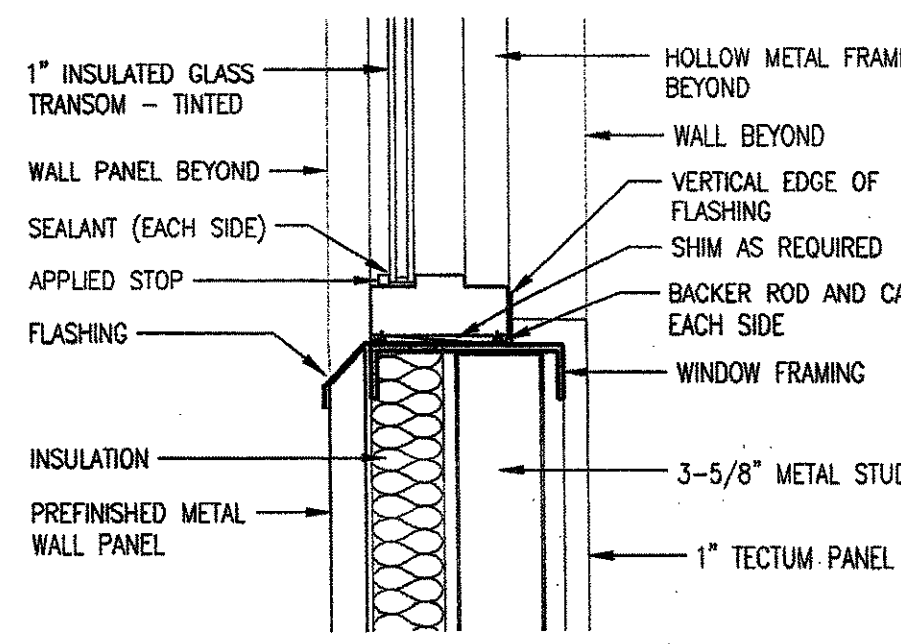
15 FIRE EXTINGUISHER SECTION
A-7.0 SCALE: 1 1/2" = 1'-0"



W1 HEAD
A-7.0 SCALE: 1 1/2" = 1'-0"



W2 JAMB
A-7.0 SCALE: 1 1/2" = 1'-0"



W3 SILL
A-7.0 SCALE: 1 1/2" = 1'-0"

MULTI-PURPOSE BUILDING FOR
NORTHLAKE CHRISTIAN SCHOOL
70104 WOLVERINE DRIVE
COVINGTON, LOUISIANA 70433

ZITO·RUSSELL
ARCHITECTS, P.C.
820 S. UNIVERSITY BLVD., SUITE 2G
MOBILE, AL 36609
PHONE (251) 343-6161
FAX (251) 343-5505

© COPYRIGHT 2010
ZITO · RUSSELL
ARCHITECTS, P.C.
REVISIONS

FILE 3316
DATE 07/16/10
SHEET

A-7.0

MULTI-PURPOSE BUILDING FOR
NORTHLAKE CHRISTIAN SCHOOL
70104 WOLVERINE DRIVE
COVINGTON, LOUISIANA 70433
FILE: 3316-A7.0
DRAWN: MLP
SCALE: AS NOTED