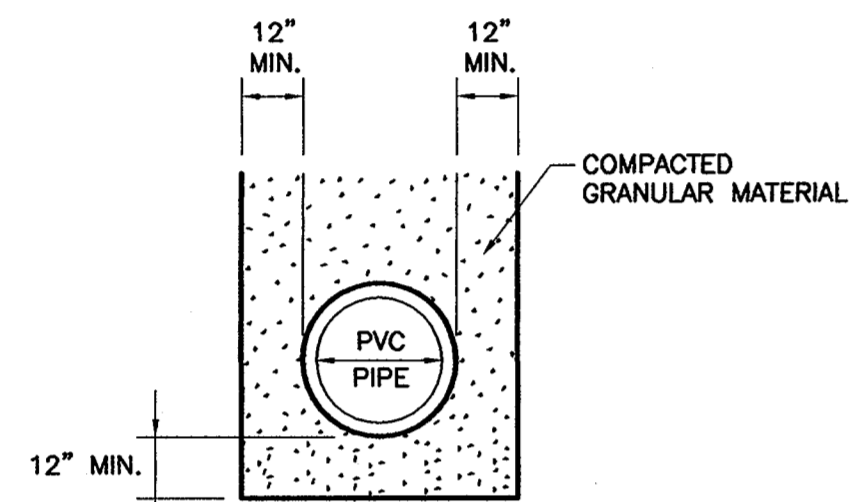
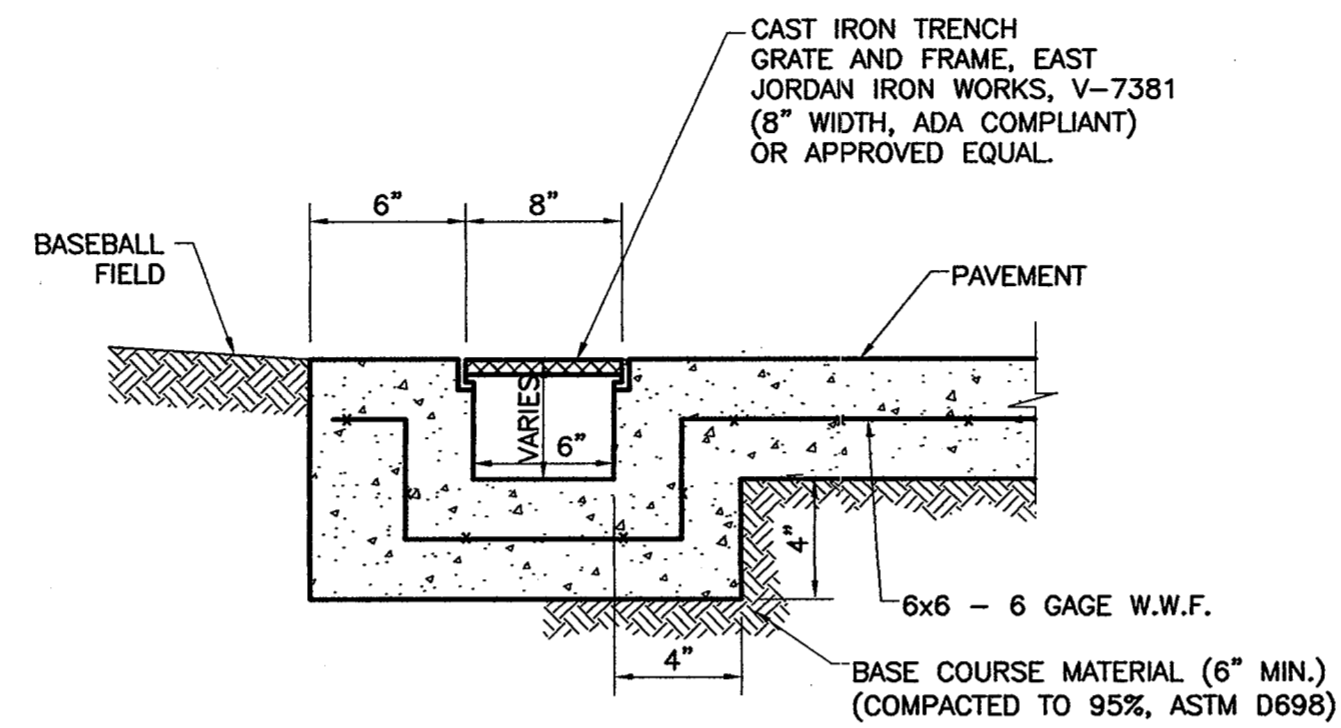


PVC PIPE DRAIN TRENCH DETAIL
N.T.S.

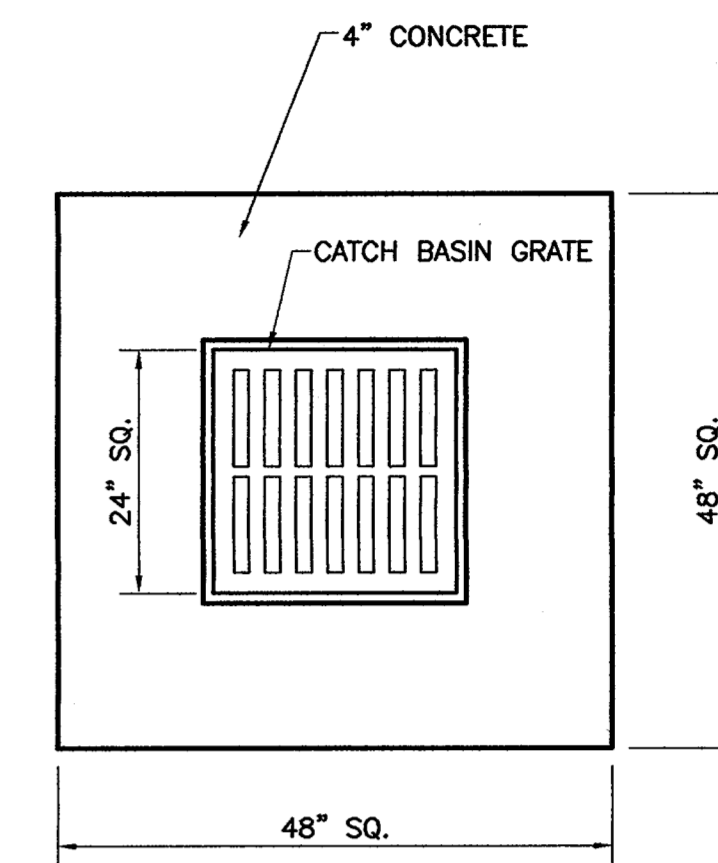


DRAIN LINE BEDDING DETAILS
N.T.S.

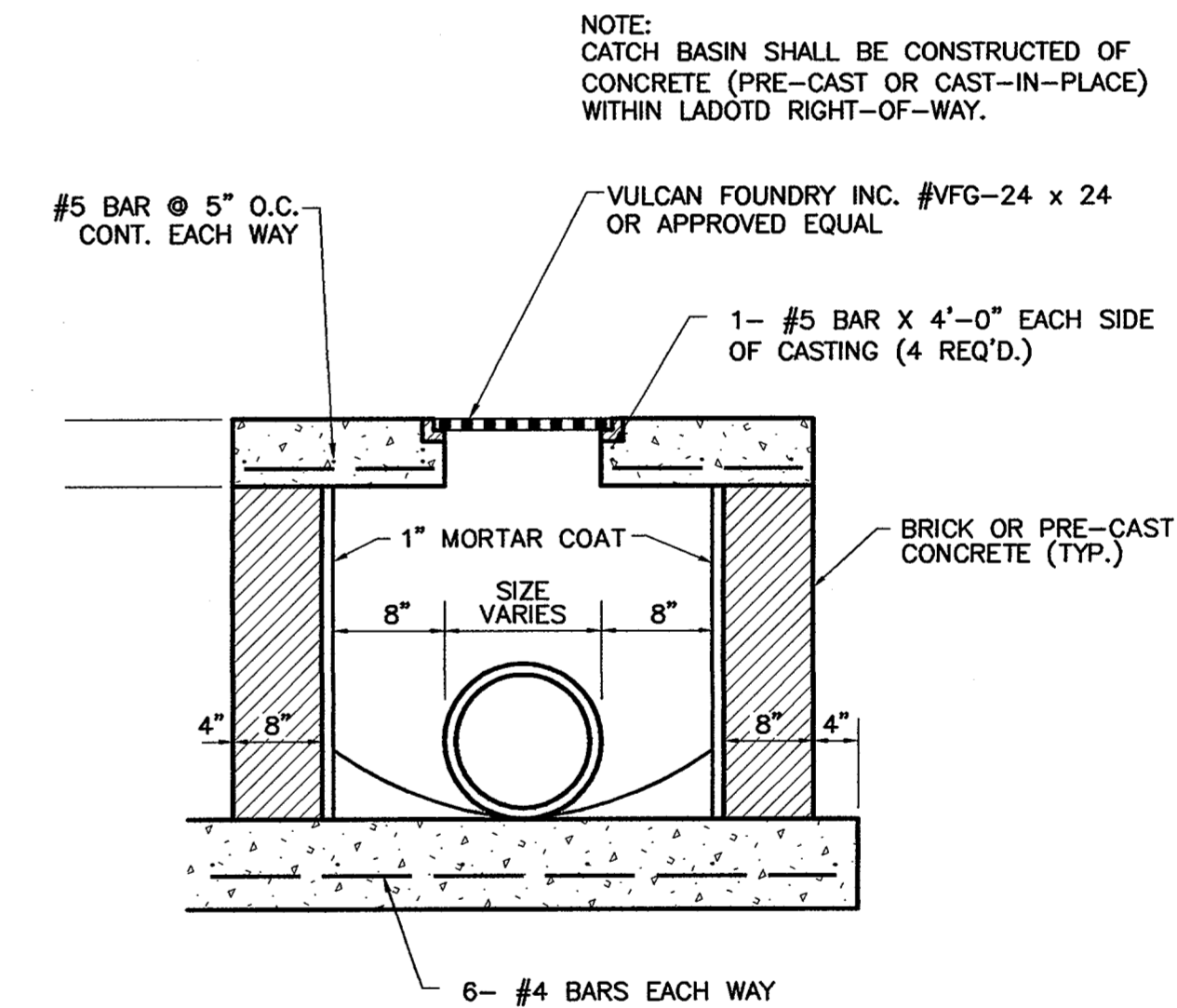
NOTE:
BEDDING AND BACKFILL MATERIAL SHALL BE INSTALLED IN 6-INCH LIFTS AND COMPACTED TO 95% MAX DRY DENSITY, IN ACCORDANCE WITH ASTM D698.



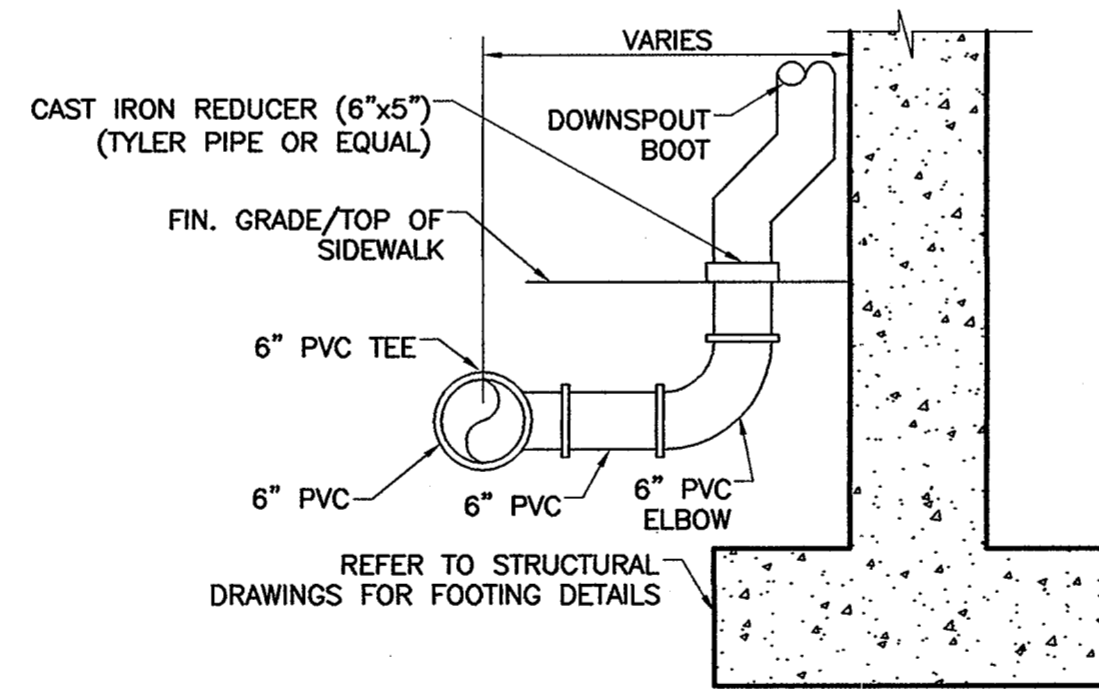
SIDEWALK TRENCH DRAIN DETAIL
N.T.S.



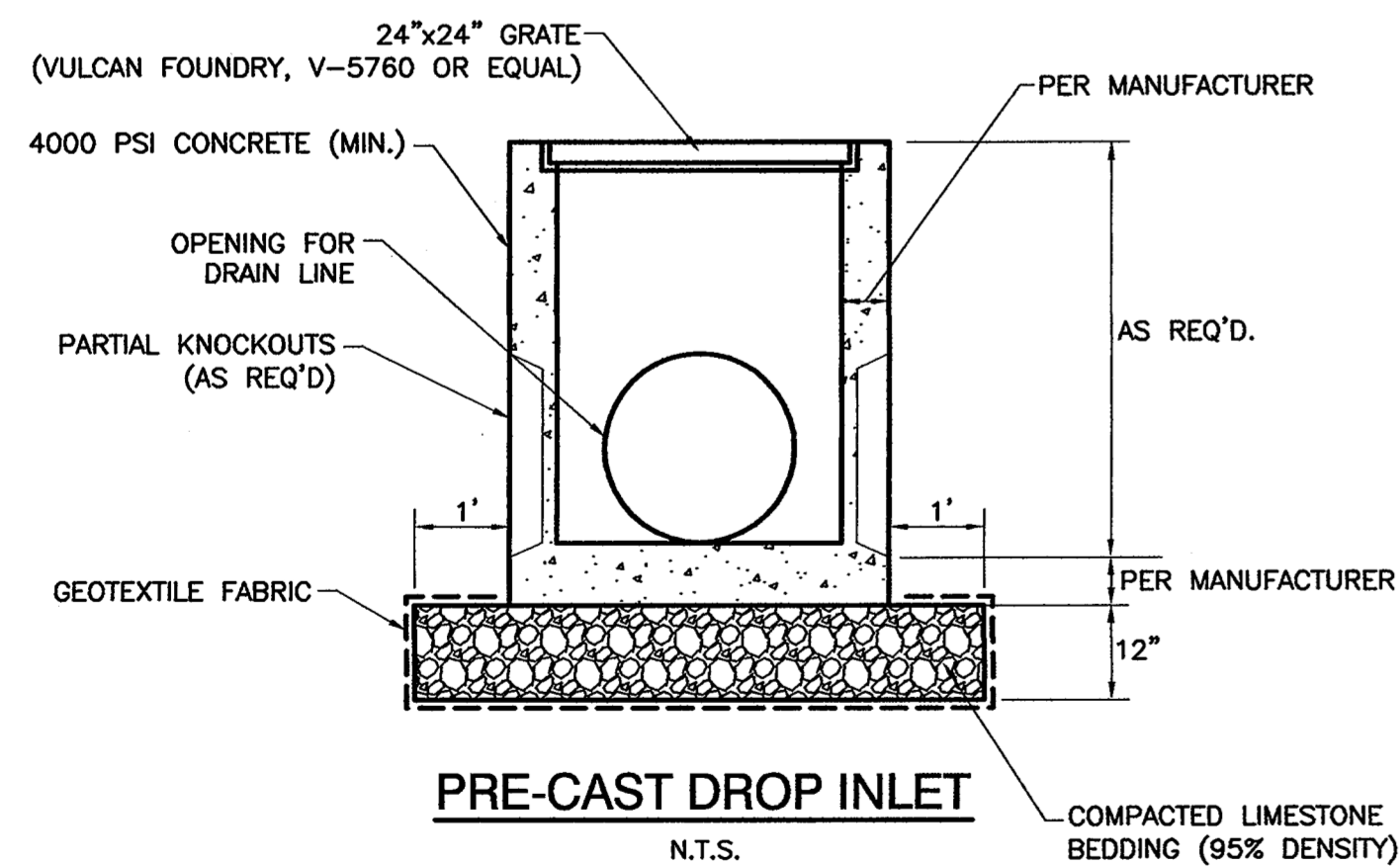
CATCH BASIN - PLAN
N.T.S.



24"x24" DROP INLET - DETAIL
N.T.S.



DOWNSPOUT TIE-IN DETAILS
N.T.S.



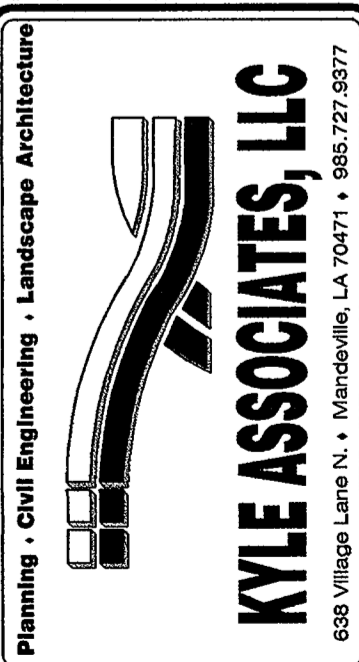
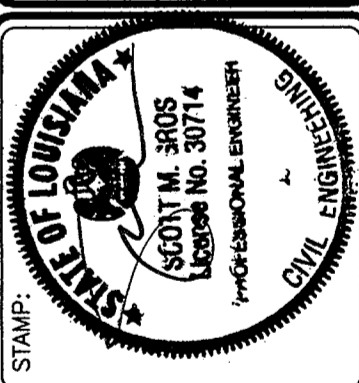
NOTES:

- MATERIALS & FEATURES**
 - CONCRETE: 4,000 PSI IN 28 DAYS.
 - REINFORCING STEEL: PER ASTM A-615, GRADE 60.
 - REINFORCING TO MEET AASHTO HS 20-44 LOADING.
 - PRECAST STRUCTURE TO MEET ASTM C-857-92
 - JOINT SEALANT: RAM-NEK GASKET MATERIAL.
- PRE-CAST CATCH BASINS SHALL BE AS MANUFACTURED BY HANSON OR EQUAL.

CADD FILE NAME: 41034-DT-Details.dwg			
DESIGNED BY: SMG	DRAWN BY: MMM	CHECKED BY: SMG	JOB NO. 41034
SCALE: (24x36)	SCALE: (11x17)	DATE: 30-JUL-10	

NORTHLAKE CHRISTIAN SCHOOL
COVINGTON, LOUISIANA
DRAINAGE DETAILS

DATE:	REVISIONS:	AP'D:
REMARKS:		



SHEET NO.
C5.0