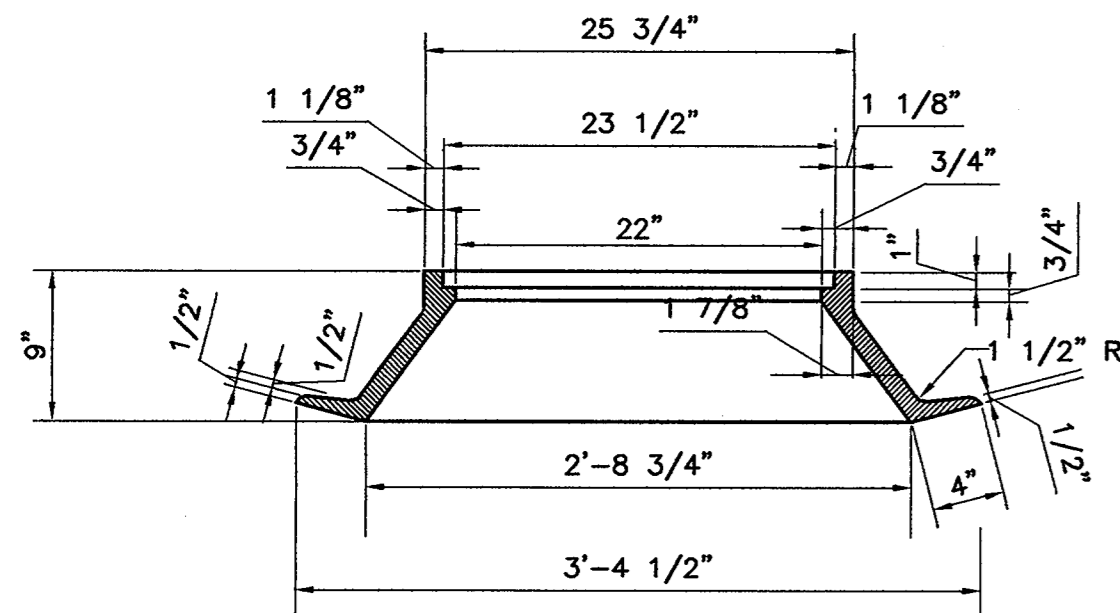


STRAIGHT MANHOLE FRAME

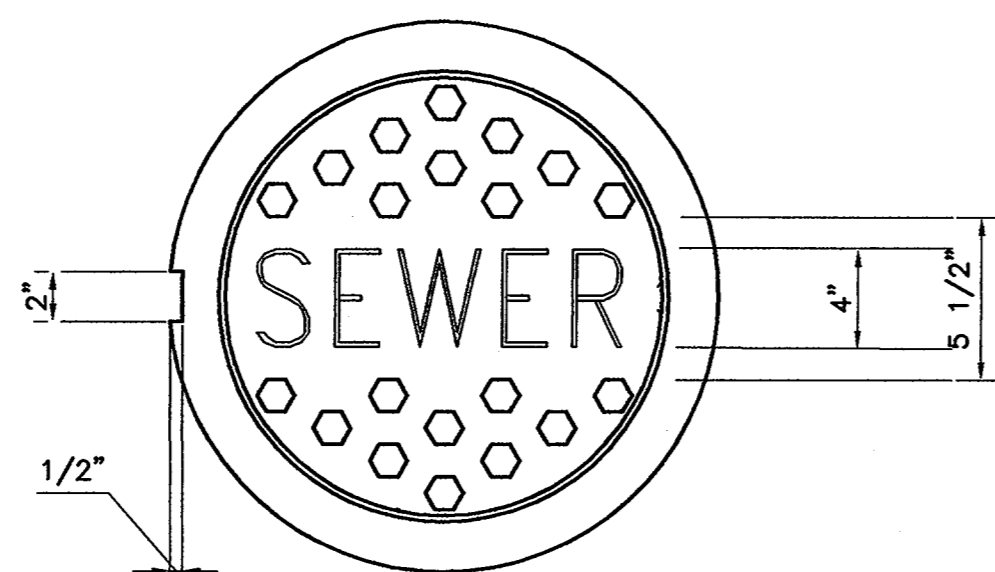
N.T.S.



FLARED MANHOLE FRAME

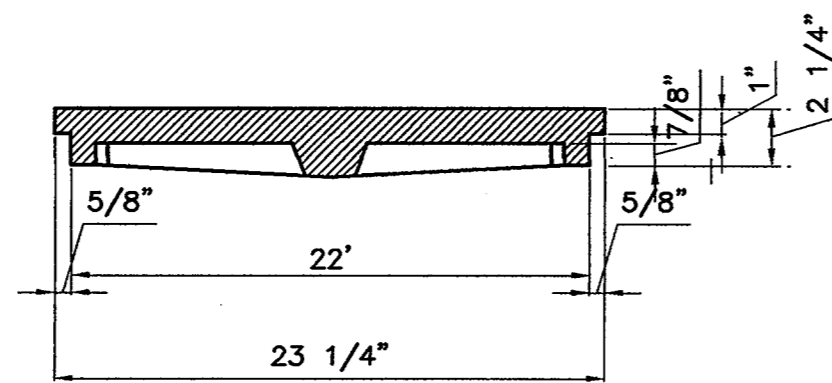
N.T.S.

NOTE:
ALL CASTINGS SHALL CONFORM TO ASTM A-48
LATEST REVISION CLASS 30 FOR GRAY CASTINGS



PLAN MANHOLE COVER

N.T.S.

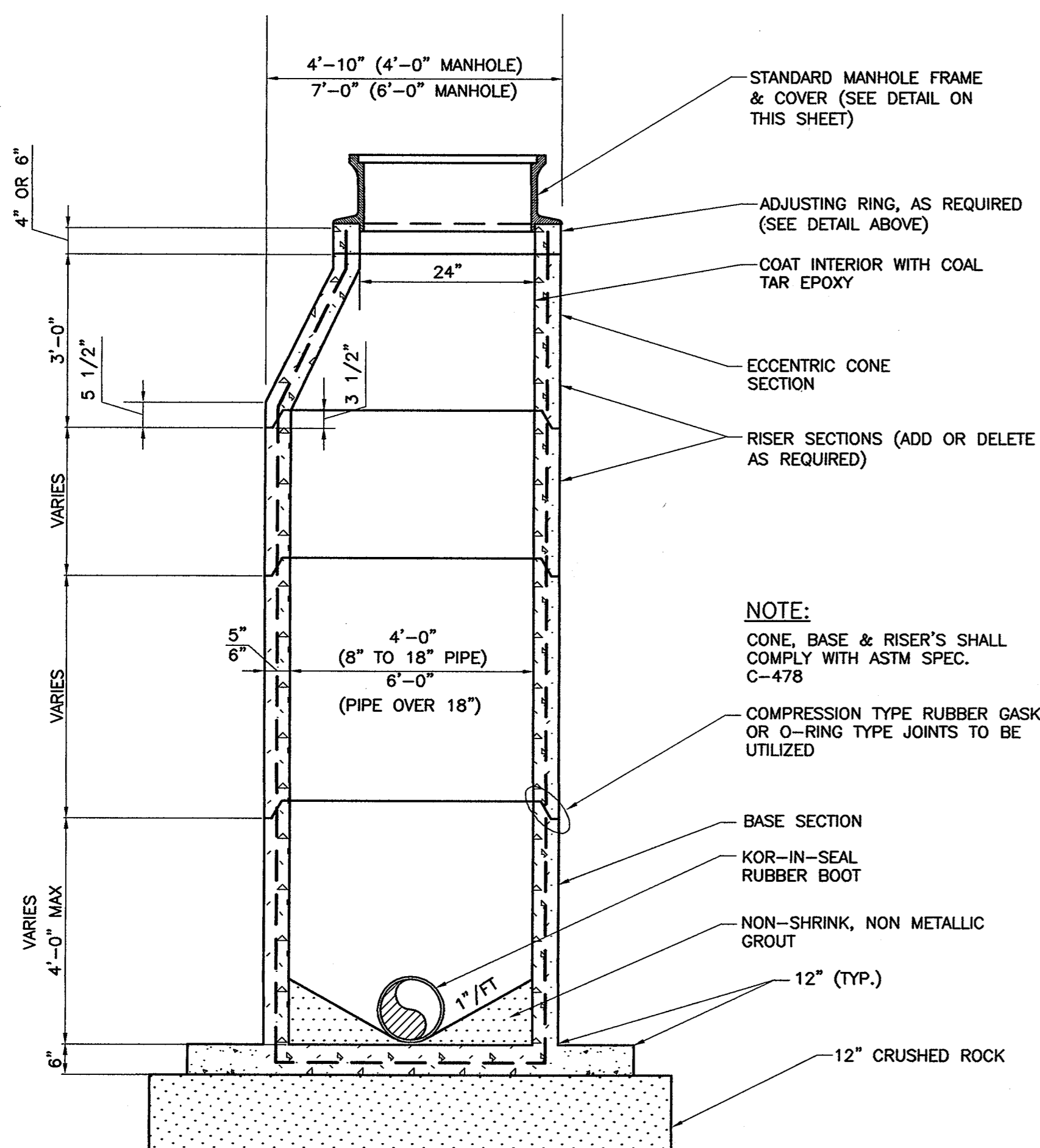


SECTION - MANHOLE COVER

N.T.S.

STANDARD MANHOLE CASTINGS

N.T.S.



TYPICAL PRECAST CONCRETE MANHOLE

N.T.S.

NOTE:
CONE, BASE & RISER'S SHALL
COMPLY WITH ASTM SPEC.
C-478

COMPRESSION TYPE RUBBER GASKET
OR O-RING TYPE JOINTS TO BE
UTILIZED

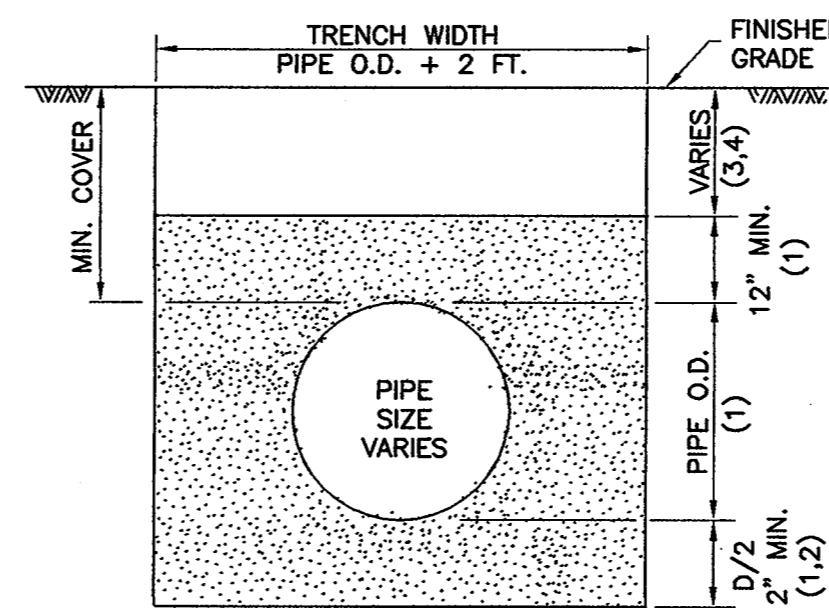
BASE SECTION

KOR-IN-SEAL
RUBBER BOOT

NON-SHRINK, NON METALLIC
GROUT

12" (TYP.)

12" CRUSHED ROCK



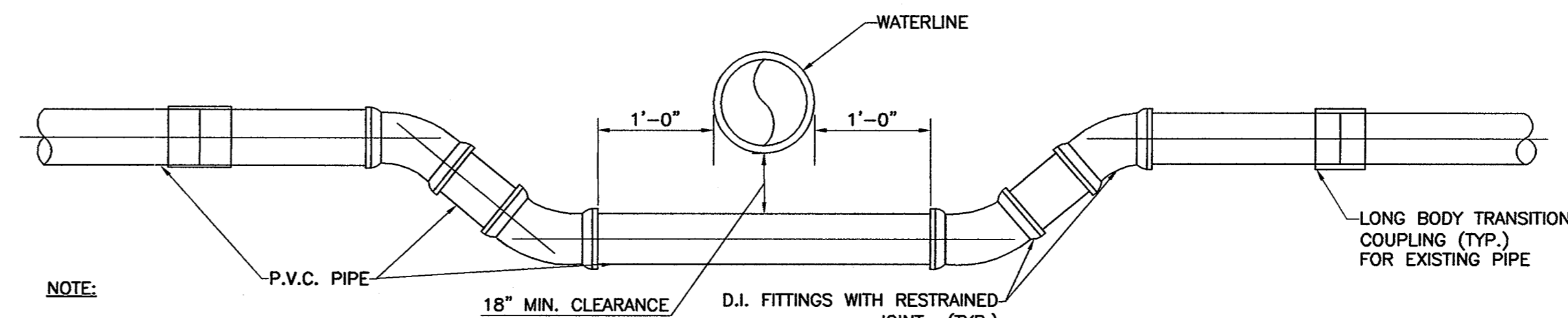
MIN. COVER	PIPE SIZE (IN.)
3 FT.	LESS THAN 12
4 FT.	12 AND GREATER

STANDARD UTILITY TRENCH DETAIL

N.T.S.

NOTES:

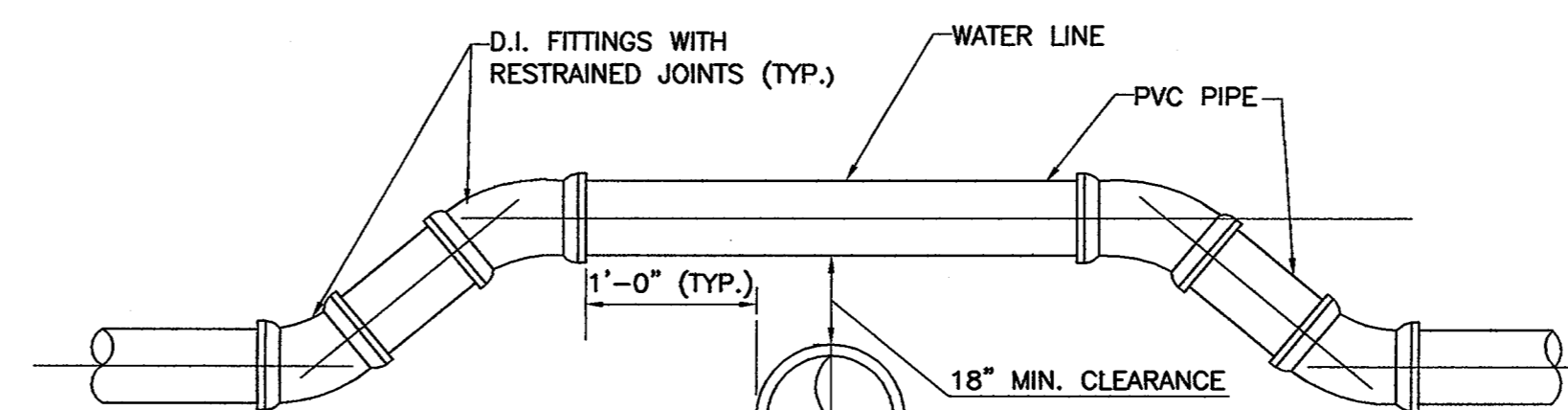
1. COMPACTED GRANULAR MATERIAL MIN. DENSITY 95% STANDARD PROCTOR (ASTM D698) 6" MAX. LAYERS.
2. PROVIDE BELL HOLES AT EACH JOINT.
3. SELECT EXCAVATED MATERIAL FREE OF STUMPS, DEBRIS AND VOIDS FOR NON-PAVED AREA.
4. COMPACTED GRANULAR MATERIAL WITHIN THE STREETS RIGHT-OF-WAY MIN. DENSITY 95% STANDARD PROCTOR (ASTM D698) 6" MAX. LAYERS.
5. WHERE GROUND WATER OR UNSTABLE TRENCH BOTTOM EXISTS, TRENCH BOTTOM SHALL BE STABILIZED (ASTM D2321) TO PROVIDE A WORKING PLATFORM.
6. TRENCH DETAIL SHOWN SHALL BE MINIMUM REQUIREMENTS TO SAFEGUARD THE INTEGRITY OF THE UTILITY LINE INSTALLATION AT REQUIRED DEPTHS. THE CONTRACTOR SHALL PROVIDE SUFFICIENT SHEETING AND BRACING TO PROVIDE SAFE WORKING CONDITIONS FOR HIS WORKERS.



NOTE:
WATER LINE SHALL CROSS
OVER SEWER LINES

TYPICAL VERTICAL CONFLICT OFFSET DETAILS FOR WATER AND SEWER FORCE MAINS

N.T.S.



NOTE:
WATER LINE SHALL CROSS
OVER SEWER LINES

TYPICAL VERTICAL OFFSET DETAILS FOR WATER AND SEWER FORCE MAINS.

N.T.S.

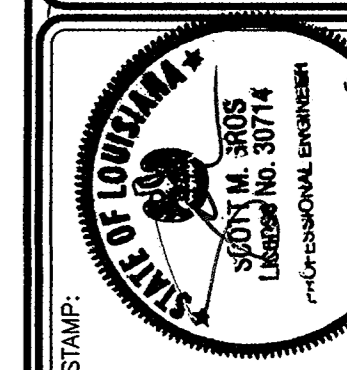
CADD FILE NAME: 41034-DT-SEWER.dwg			
DESIGNED BY: SMG	DRAWN BY: TM	CHECKED BY: SMG	JOB NO. 41034
SCALE: (24x36)	SCALE: (11x17)	DATE: 30 JUL 10	

NORTHLAKE CHRISTIAN SCHOOL

COVINGTON, LOUISIANA

SEWER DETAILS

APP'D	
REVISIONS	
REMARKS	
DATE	



Stamp: Kyle Associates, LLC
638 Village Lane N. • Mandeville, LA 70471 • 985.727.8377

SHEET NO.
C6.0

N:\2010\1034 - Northlake Christian New Pre-School\Drawings\11 Plans\Civil\MPB41034-DT-SEWER.dwg, 24x36-FULL, 8/3/2010 10:57:00 AM, Inrtd