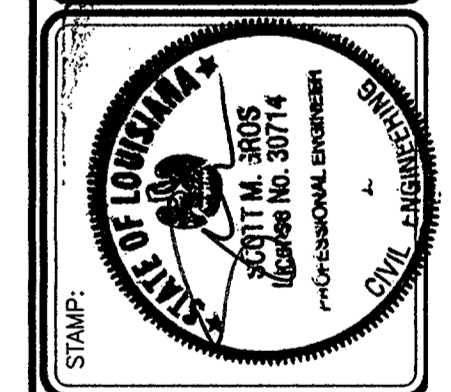


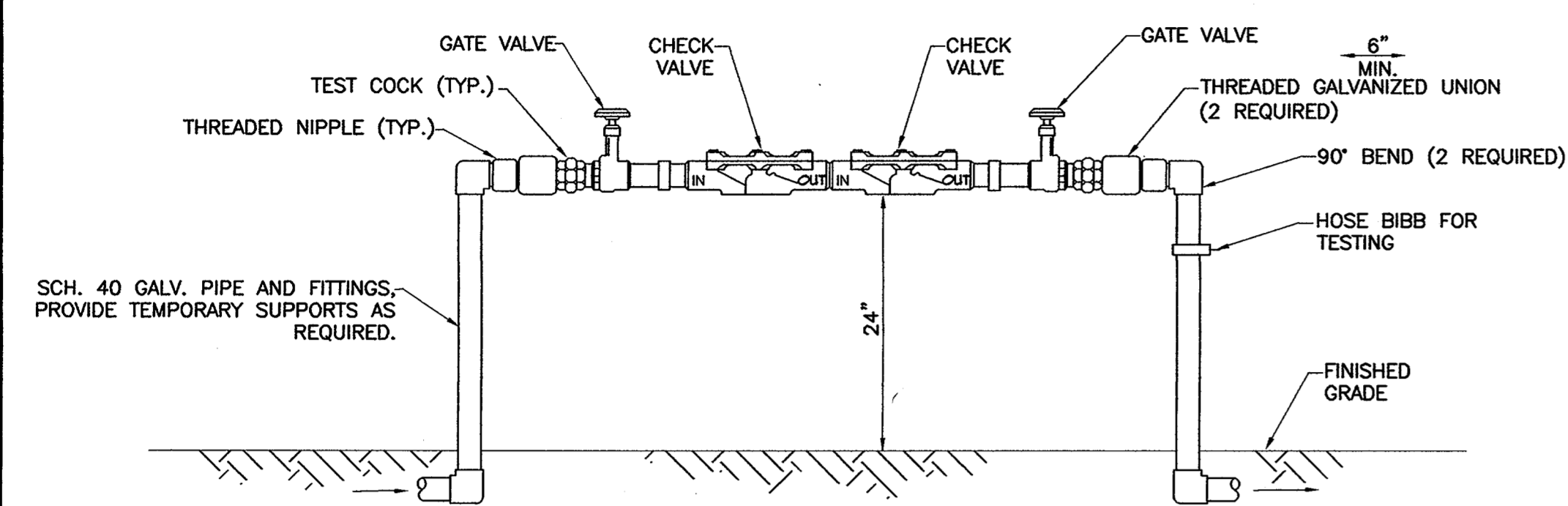
DESIGNED BY: SMG	DRAWN BY: TM	CHECKED BY: SMG	JOB NO. 41034
SCALE: (24x36) NTS	SCALE: (11x17) NTS	DATE: 30 JUL 10	

NORTHLAKE CHRISTIAN SCHOOL
COVINGTON, LOUISIANA
STANDARD WATER DETAILS

DATE:	REVISIONS:	APP'D:



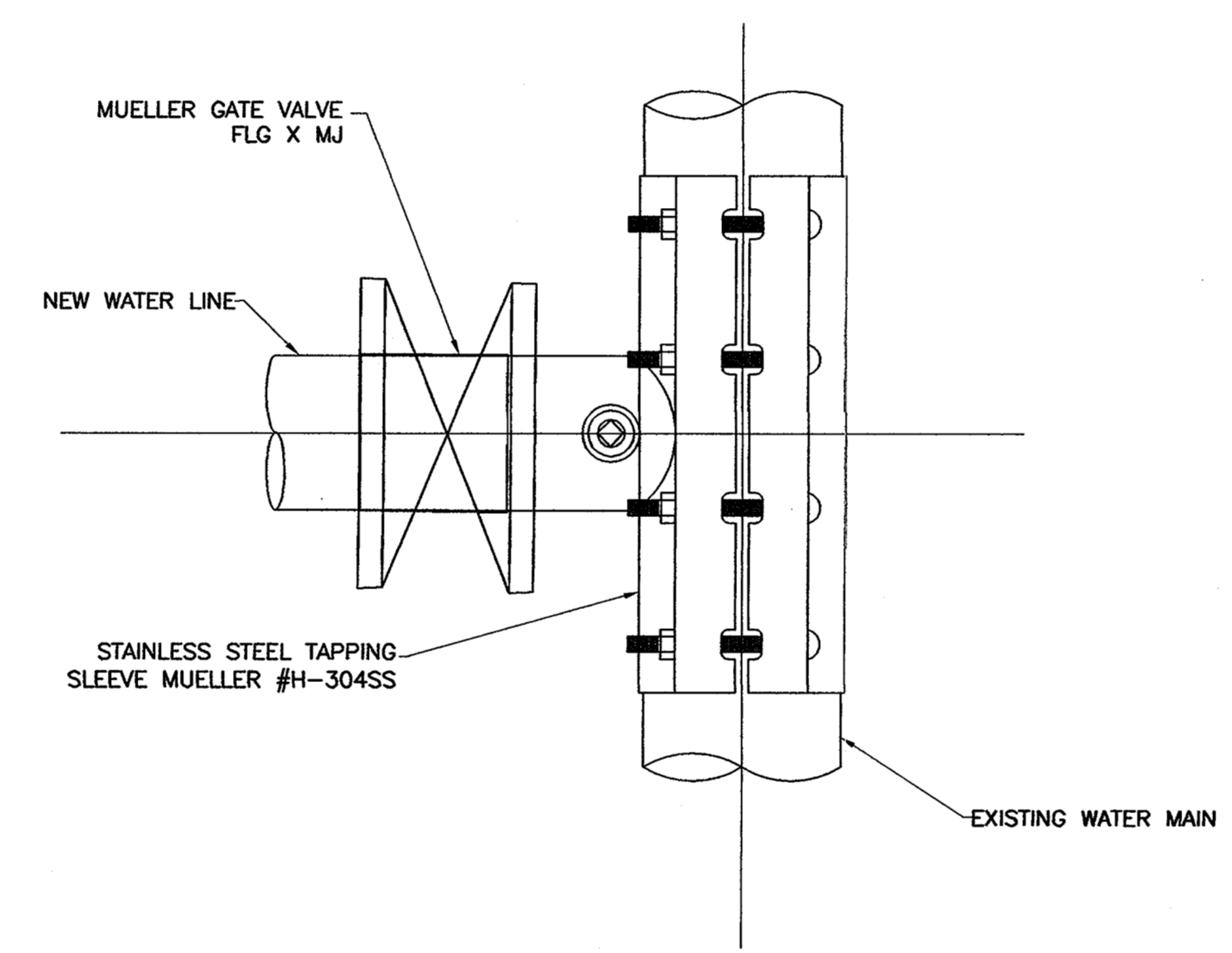
Planning • Civil Engineering • Landscape Architecture
KYLE ASSOCIATES, LLC
638 Village Lane N. • Metairie, LA 70071 • 988.727.8977



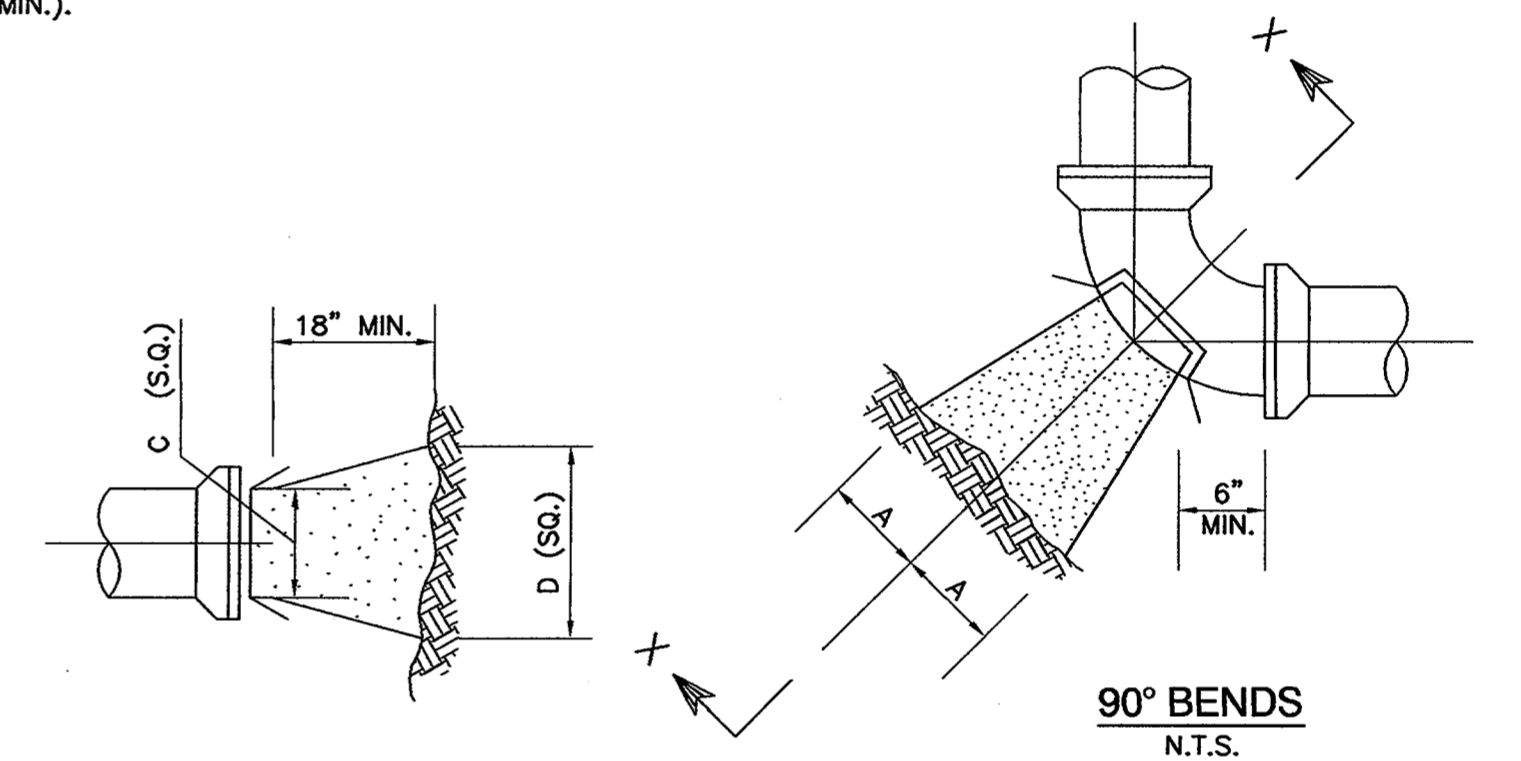
- NOTES:**
1. ALL BACKFLOW PREVENTERS SHALL BE INSPECTED BY UTILITY COMPANY AND NEED LICENSED / STATE CERTIFIED TESTER TO TEST AT INSTALLATION AND A CERTIFICATE SENT TO THE UTILITY COMPANY. TESTS WILL BE REQUIRED ANNUALLY THEREAFTER BY OWNER AND SENT TO THE UTILITY COMPANY.
 2. INSULATE ALL PIPING TO PROTECT AGAINST FREEZING..
- AWWA DOUBLE CHECK DETECTOR BACK-FLOW PREVENTER DETAIL**
N.T.S.

- NOTES:**
1. ALL DIMENSIONS ARE IN INCHES.
 2. USE ON ALL FITTINGS. ALL FITTINGS TO BE DUCTILE IRON MJ RESTRAINED JOINT.
 3. ALL CONCRETE AND PIPE SHALL BE SEPARATED BY A NON-CONDUCTIVE MATERIAL (TYPICALLY 1/8" EPDM RUBBER).
 4. ALL CONCRETE THRUST BLOCKS SHALL BE 4000 PSI @ 28 DAYS. TIMBER THRUST BLOCKS SHALL NOT BE USED UNLESS PERMISSION GRANTED BY UTILITY COMPANY.
 5. PIPE SHALL BE RESTRAINED JOINT ON EACH SIDE OF FITTINGS (20" MIN.).

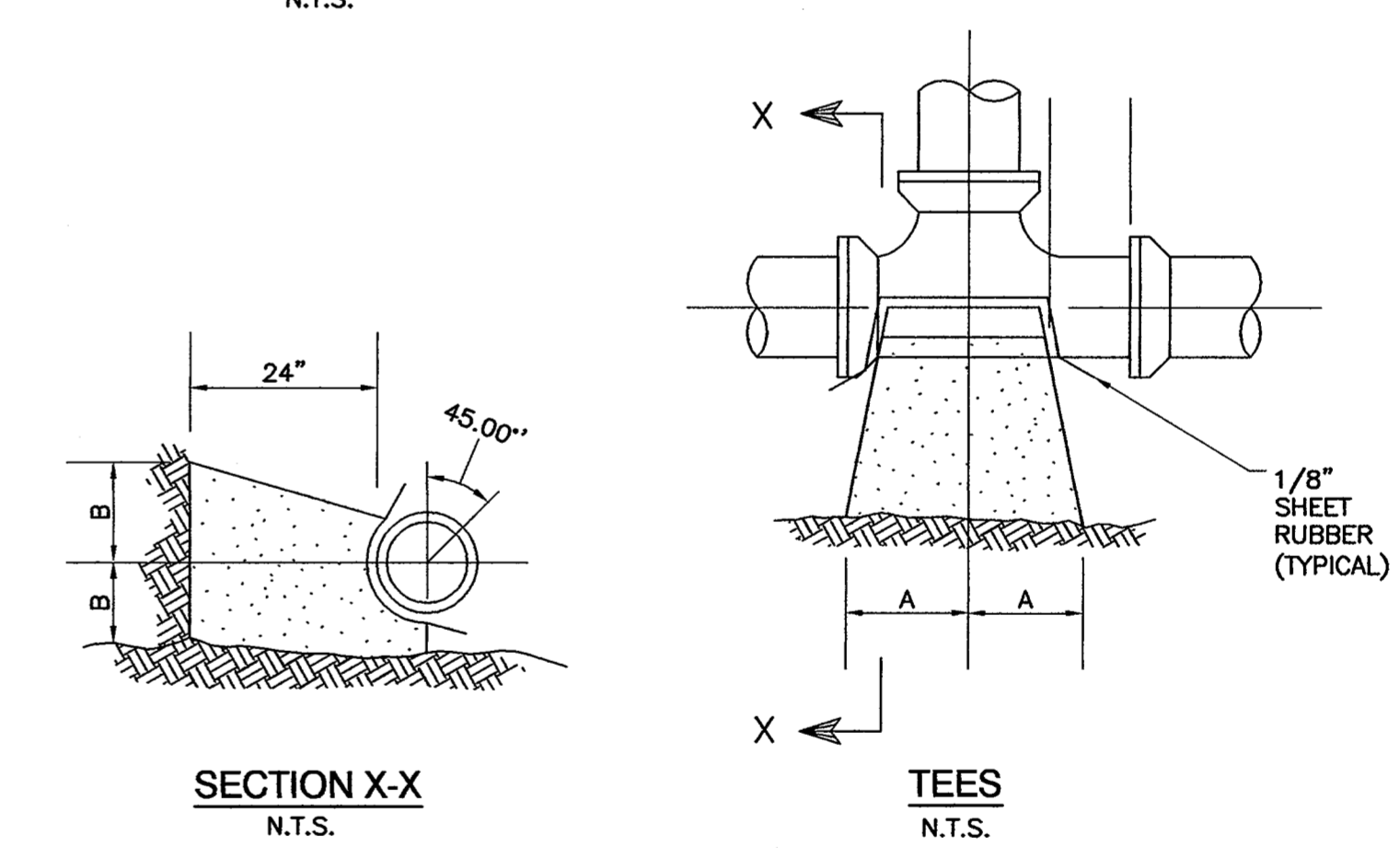
SOIL	SIZE	90° BEND		TEE		PLUG	
		A	B	A	B	C	D
4000 psf	1 1/4"	10	10	8	8	10	15
	1 1/2"	15	12	9	12	12	20
2000 psf	1 1/4"	18	10	10	12	10	21
	1 1/2"	25	13	16	12	20	29



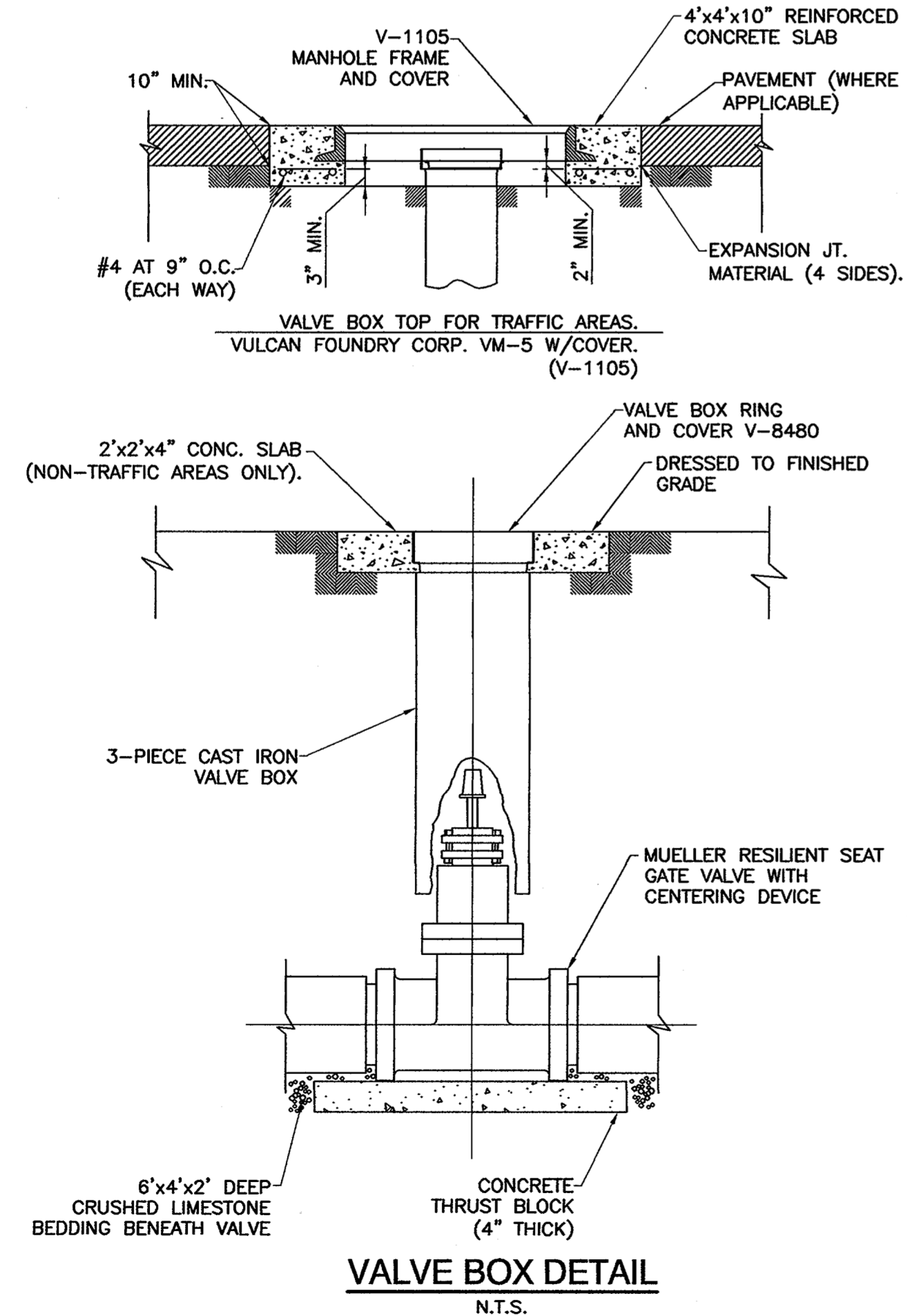
DETAIL-WATER LINE CONNECTION TO EXISTING WATER MAIN
N.T.S.



90° BENDS
N.T.S.



THRUST BLOCK DETAILS
N.T.S.



VALVE BOX DETAIL
N.T.S.