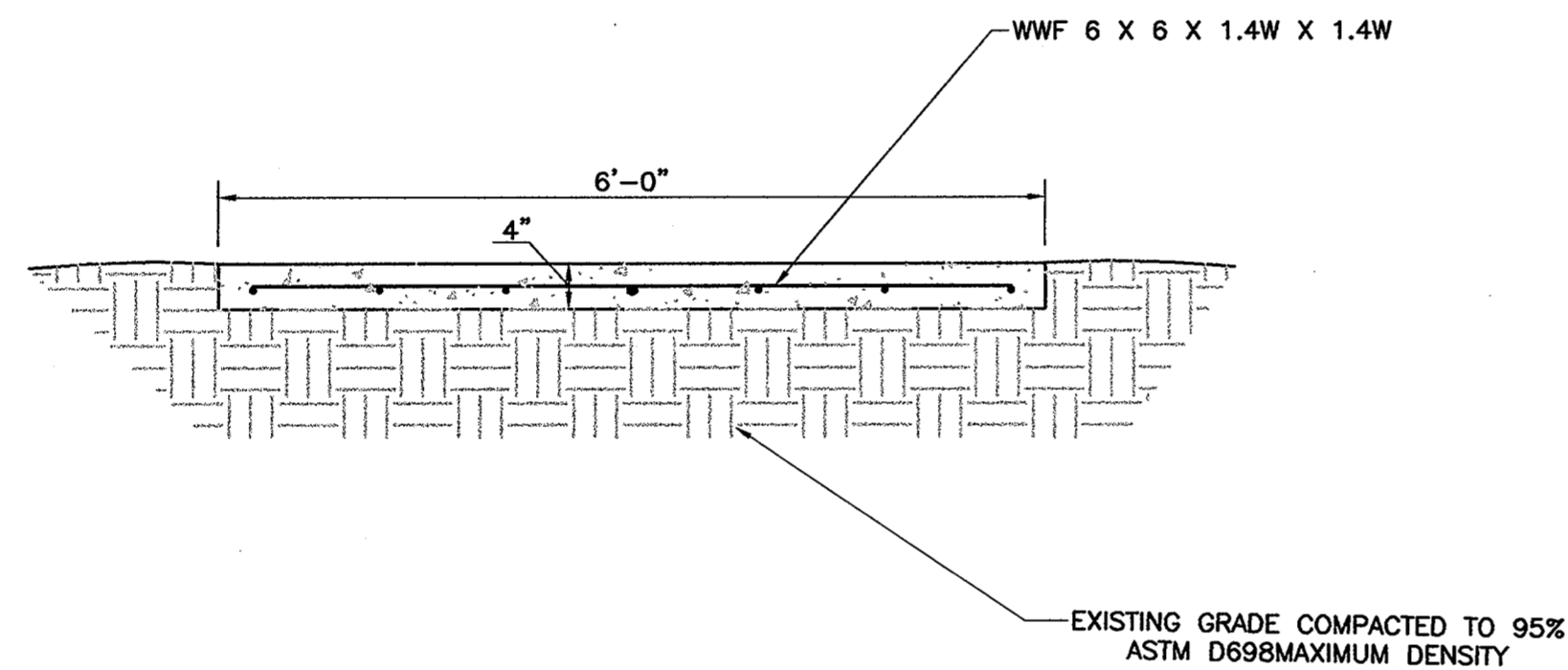


1:12 RAMP DETAIL

N.T.S.

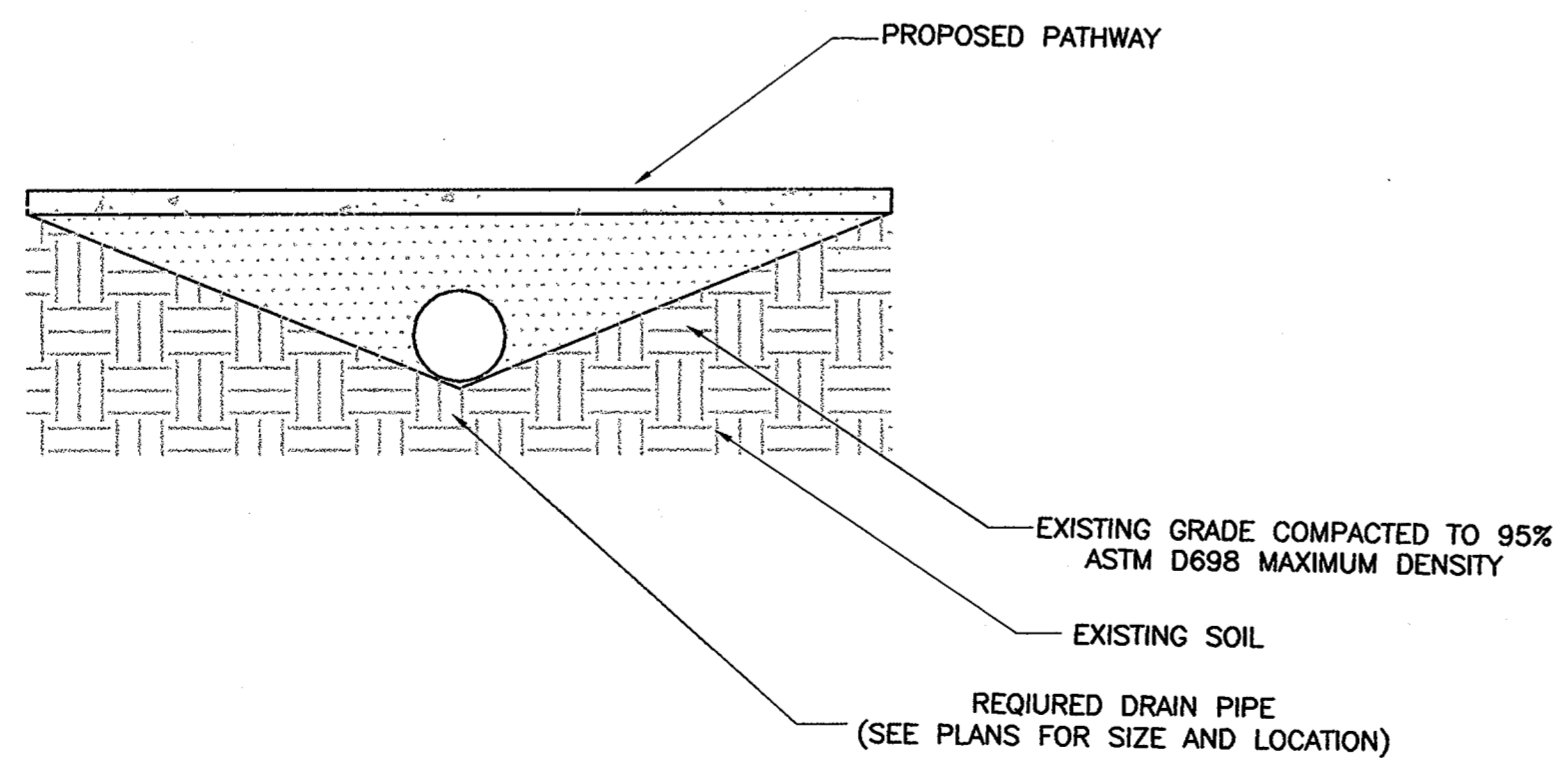
DETECTABLE WARNING SURFACES:

1. PROVIDE IN PEDESTRIAN CIRCULATION AREAS WHERE INDICATED ON DRAWINGS.
2. COMPLY WITH STATE FIRE MARSHAL'S CURRENT GUIDELINES, AND MEET SPECIFIC REQUIREMENTS OF ADAAG FOR DETECTABLE WARNING.
3. SPECIALLY DESIGNED FORMS SHALL BE USED TO CAST INTO AREAS OF COLORED CONCRETE THE FOLLOWING:
 - A. THE ONLY ACCEPTABLE FORM OF DETECTABLE WARNING IS THE "RAISED TRUNCATED DOME". THE DOMES SHALL BE 0.9" NOM. DIAMETER, 0.2" NOM. HEIGHT, AND CENTERED 2.35" APART.
 - B. THE AREA HAVING A DETECTABLE WARNING SHALL VISUALLY CONTRAST IN COLOR WITH ADJOINING SURFACES, EITHER LIGHT-ON-DARK, OR DARK-ON-LIGHT. THE MATERIAL USED TO PROVIDE THE CONTRASTING COLOR SHALL BE AN INTEGRAL PART OF THE WALKING SURFACE.
4. SCORED LINES, SCORED CROSS-HATCHES, AND OTHER SURFACE TREATMENTS ARE NOT ACCEPTABLE DETECTABLE WARNINGS.
5. PRE-MANUFACTURED PRODUCTS TO PROVIDE THE DETECTABLE WARNING MAY ONLY BE USED UPON PRIOR APPROVAL BY THE ENGINEER/ARCHITECT. PRODUCT AND INSTALLATION METHODS MUST BE ADAAG REVIEWED AND APPROVED.



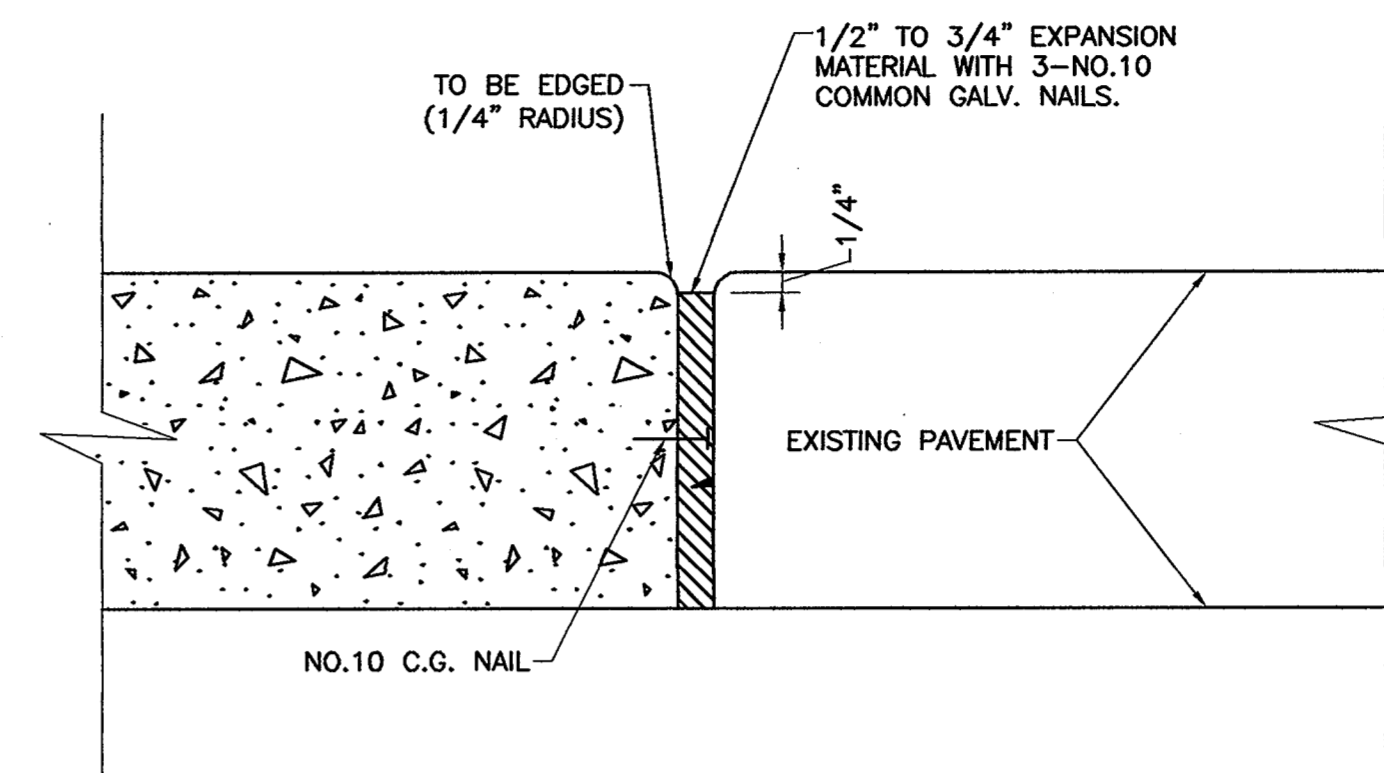
TYPICAL CONCRETE SECTION

N.T.S.



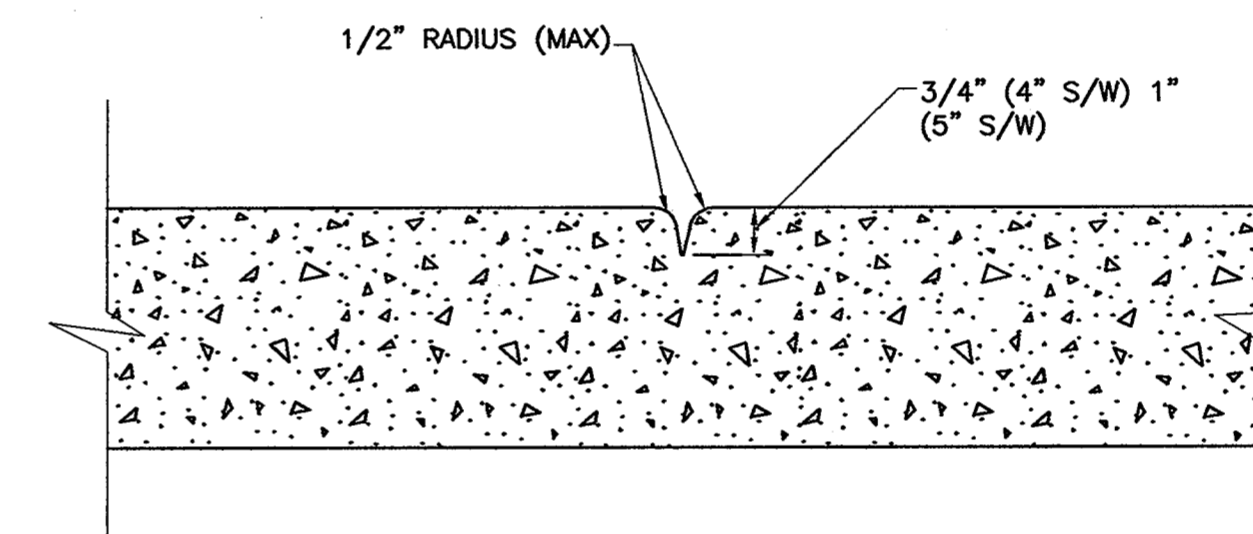
TYPICAL PATHWAY SECTION

N.T.S.



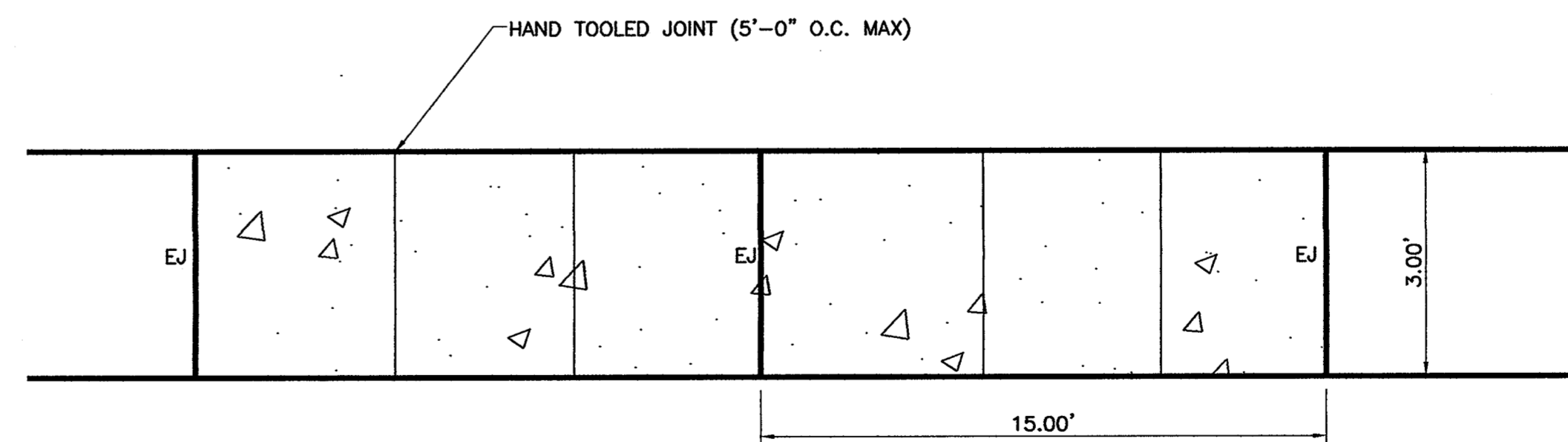
EXPANSION JOINT (TYPE "B")

(AT EXISTING PAVEMENT)
(MAXIMUM SPACING = 15'-0")
N.T.S.



HAND TOOLED CONTRACTION JOINT

(MAXIMUM SPACING = 5'-0")
N.T.S.



EXPANSION JOINT (TYPICAL)

N.T.S.

CADD FILE NAME:
40939-DT-Details2.dwg

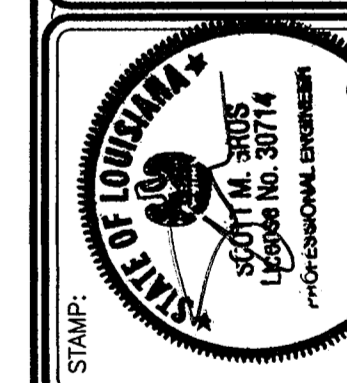
DESIGNED BY: SMG	DRAWN BY: TM	CHECKED BY: SMG	JOB NO. 41034
SCALE: (24x36) AS NOTED	SCALE: (11x17) AS NOTED	DATE: 30-JUL-10	

NORTHLAKE CHRISTIAN SCHOOL

COVINGTON, LOUISIANA

JOINT AND STRIPING DETAILS

DATE	REMARKS	REVISIONS	APP'D



SHEET NO.
C8.0

638 Village Lane N. • Mandeville, LA 70471 • 866.297.8377