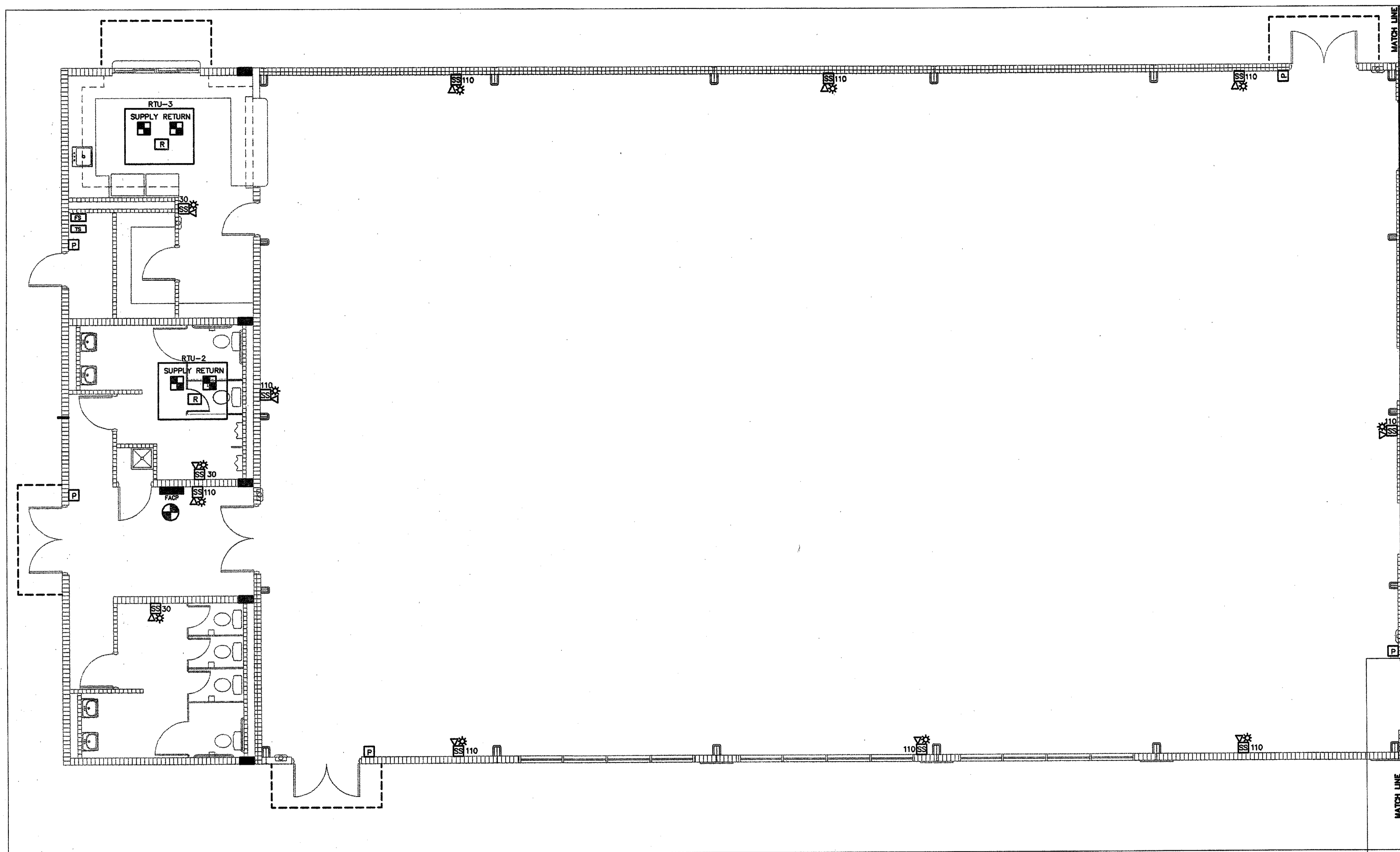


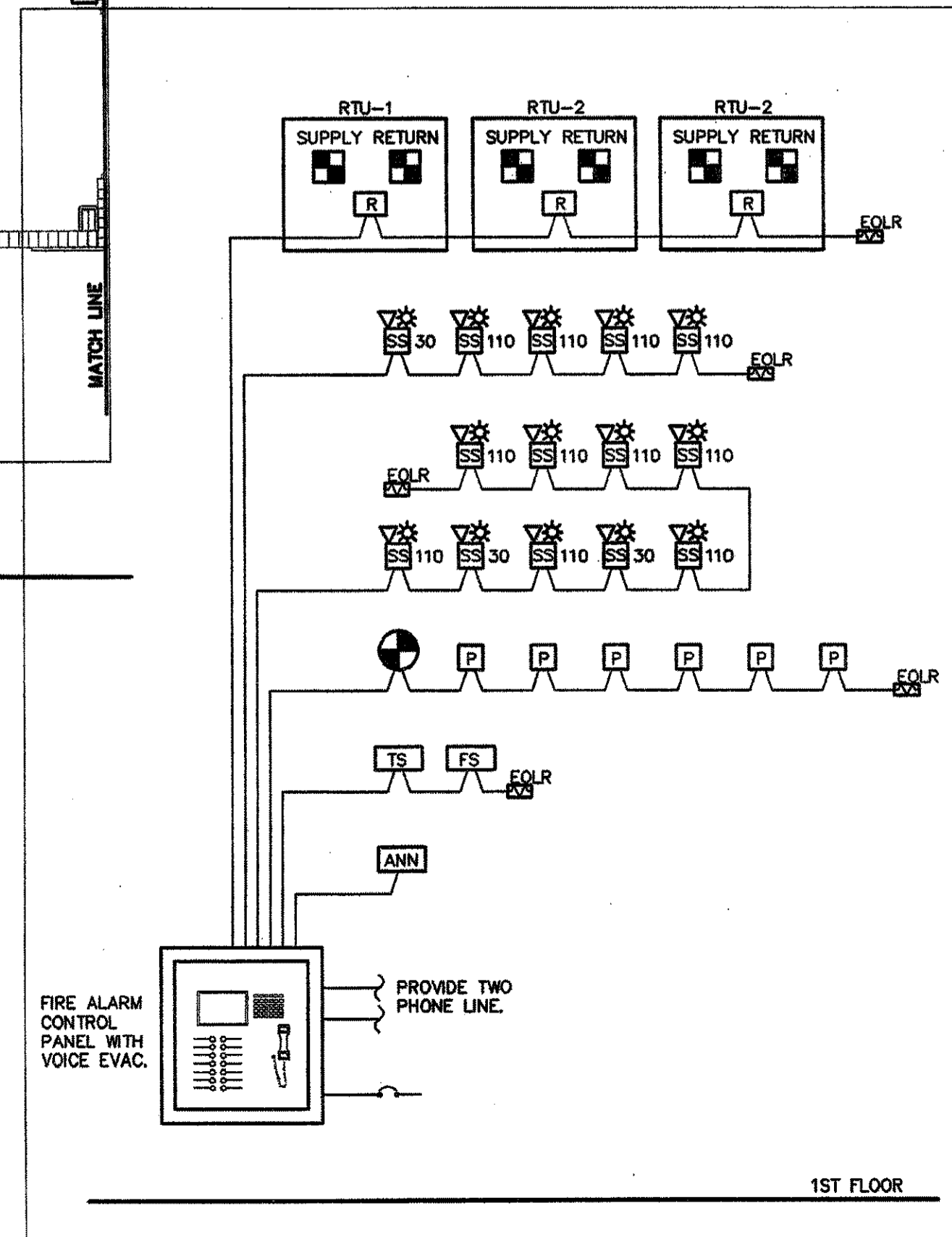
MULTI-PURPOSE BUILDING FOR
NORTHLAKE CHRISTIAN SCHOOL
70104 WOLVERINE DRIVE
COVINGTON, LOUISIANA 70433
FILE

DRAWN:

SCALE:



1 FIRE ALARM PLAN
E4 SCALE: 3/16" = 1'-0"

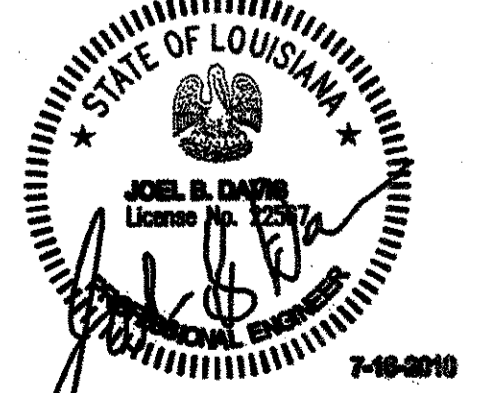


MULTI-PURPOSE BUILDING FOR
NORTHLAKE CHRISTIAN SCHOOL
70104 WOLVERINE DRIVE
COVINGTON, LOUISIANA 70433

ZITO·RUSSELL
ARCHITECTS, P.C.
820 S. UNIVERSITY BLVD., SUITE 20
MOBILE, AL 36609
PHONE (251) 343-6161 FAX (251) 343-5505

© COPYRIGHT 2010
ZITO - RUSSELL
ARCHITECTS, P.C.

REVISIONS



FILE 3316
DATE 07/16/10
SHEET

E4