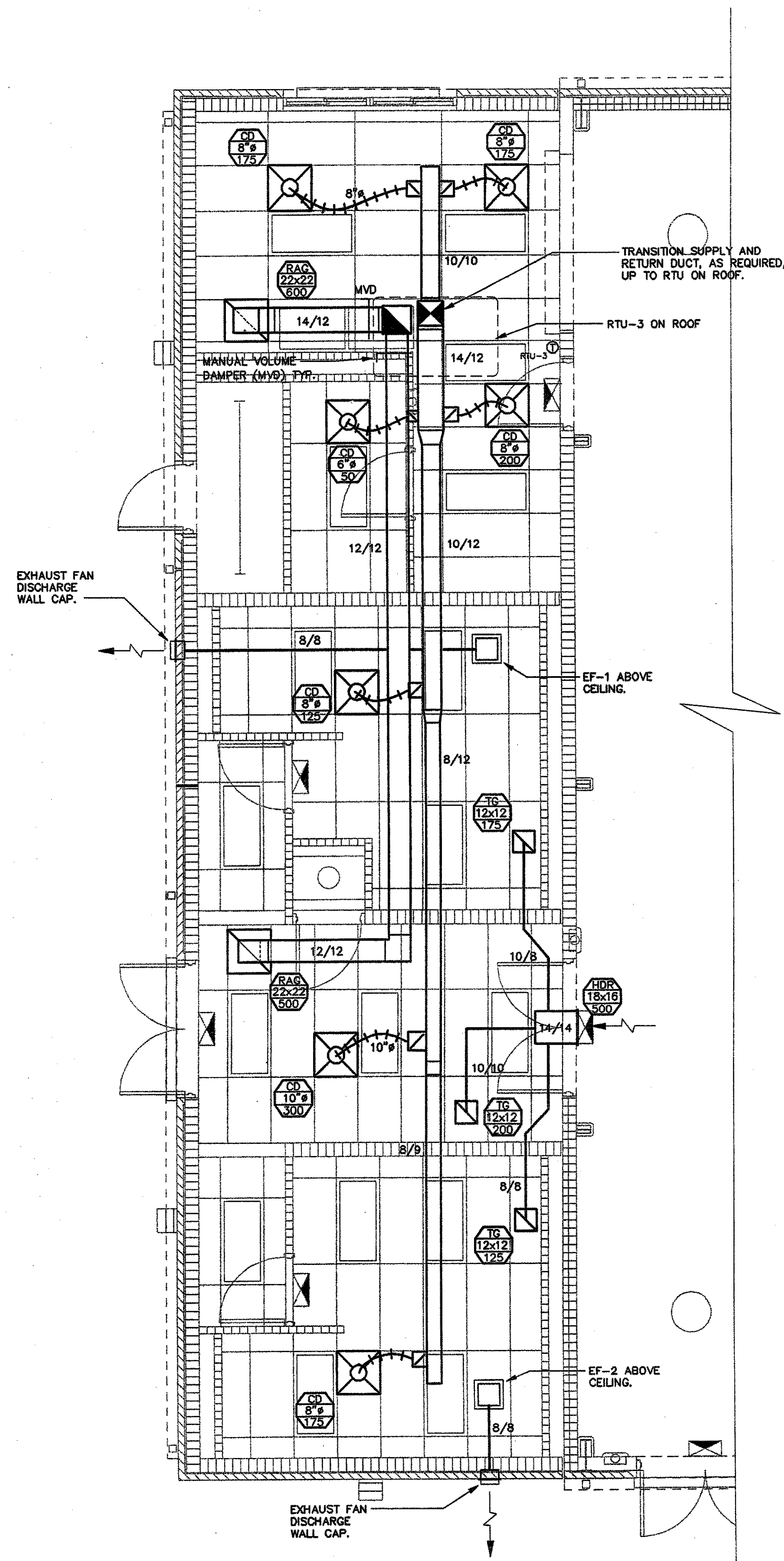


MULTI-PURPOSE BUILDING FOR
NORTHLAKE CHRISTIAN SCHOOL
70104 WOLVERNE DRIVE
COVINGTON, LOUISIANA 70433
FILE

DRAWN:

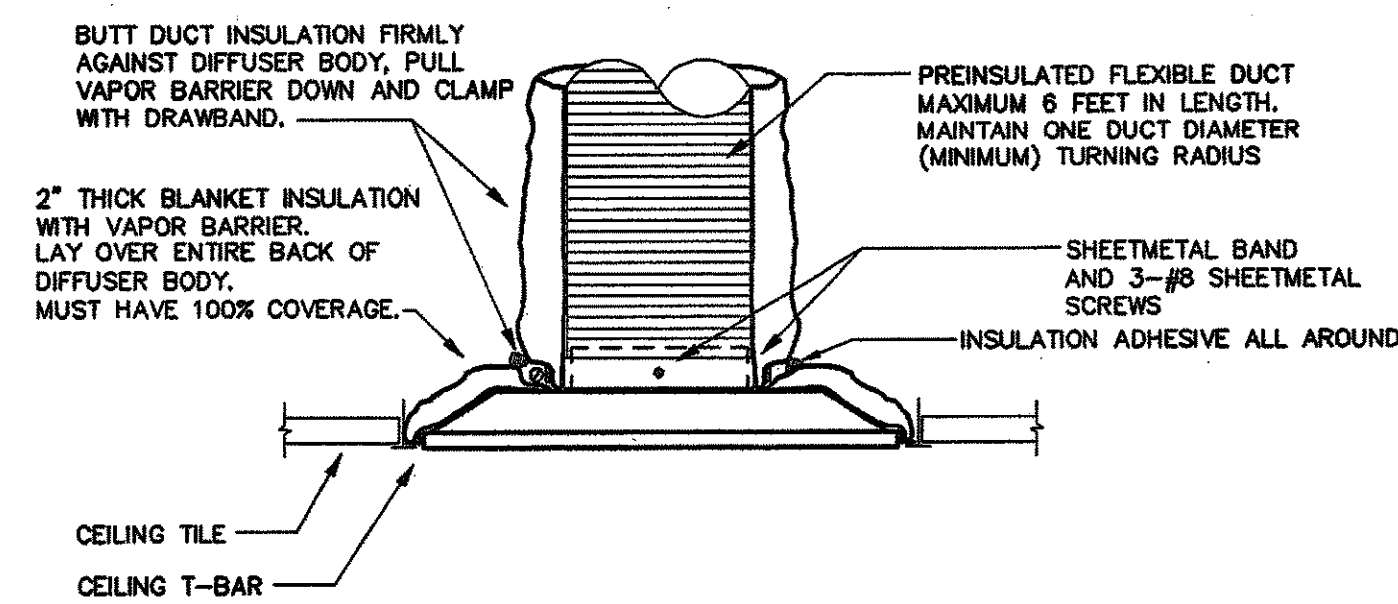
SCALE:



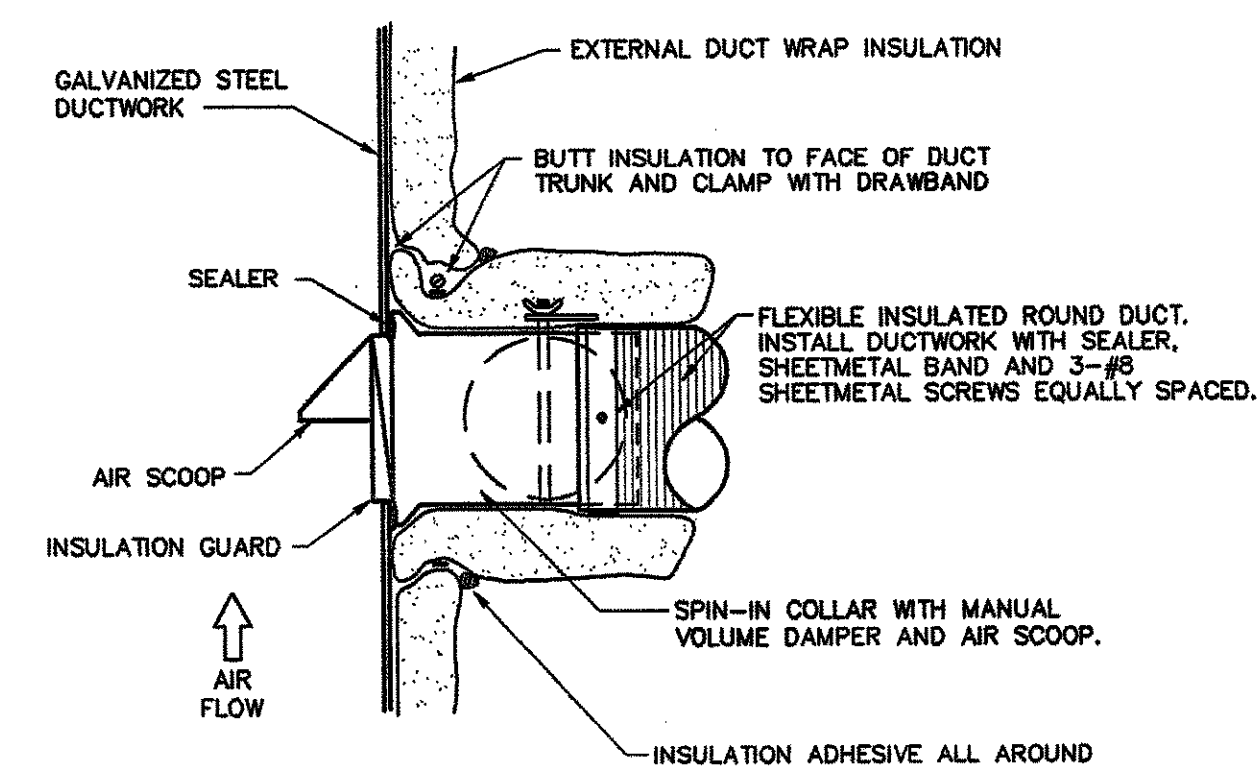
1 ENLARGED MECHANICAL HVAC PLAN
SCALE: 1/4" = 1'-0"

- CONTRACTOR SHALL EXTEND RETURN AIR DUCT FROM RETURN AIR GRILLES & REGISTERS, FULL NECK SIZE, FOR AT LEAST 18" BEFORE TRANSITIONING TO RETURN DUCT SIZES SHOWN ON THE DRAWINGS.
- ALL SUPPLY DUCT RUNOUTS TO CEILING DIFFUSERS SHALL BE THE SAME SIZE AS THE DIFFUSER NECK UNLESS SPECIFICALLY INDICATED OTHERWISE. WHERE THE RUNOUTS ARE INDICATED TO BE LARGER THAN THE DIFFUSER NECKS, THE CONTRACTOR SHALL PROVIDE A TRANSITION AT THE DIFFUSER TO ACCOMMODATE THE LARGER RUNOUT SIZE. UNDER NO CIRCUMSTANCES SHALL THE CONTRACTOR REDUCE THE RUNOUT SIZES FROM THOSE INDICATED.
- SPIN-IN FITTINGS WITH SCOOPS AND DAMPERS USED FOR DUCT TAKEOFFS ON THE LOW PRESSURE DUCT SYSTEM, SHALL BE THE SAME SIZE AS THE RUNOUTS WITHOUT EXCEPTION.
- UNDER NO CIRCUMSTANCES SHALL RUNOUTS TO CEILING DIFFUSERS HAVE MORE THAN 6 FEET OF FLEX DUCT AND WHEN INSTALLED, SHALL BE FREE OF KINKS, S-BENDS OR FLOW RESTRICTIONS OF ANY KIND.
- THIS CONTRACTOR SHALL COORDINATE WITH ALL OTHER TRADES FOR THE EXACT PLACEMENT OF ALL CEILING MOUNTED AIR DEVICES.
- ALL DUCT DIMENSIONS SHOWN ON THIS DRAWING ARE INSIDE CLEAR DIMENSIONS.
- THIS CONTRACTOR SHALL PAINT THE INTERIOR OF ALL DUCTWORK VISIBLE THROUGH GRILLES, REGISTERS AND DIFFUSERS FLAT BLACK.
- THIS CONTRACTOR SHALL COORDINATE HIS WORK WITH ALL OTHER TRADES TO INSURE THAT THE DUCTWORK IS INSTALLED AS SHOWN.
- CONTRACTOR SHALL INSURE THAT ALL ROOF AND WALL PENETRATIONS ARE DONE PROPERLY AND DO NOT CUT ANY STRUCTURAL SUPPORT MEMBERS. OFFSET DUCT AS NEEDED TO AVOID THESE STRUCTURAL MEMBERS. PROVIDE REINFORCEMENT FOR ALL ROOF AND WALL OPENINGS AND COORDINATE ALL WORK WITH ROOFING CONTRACTOR. ALL PENETRATIONS SHALL BE WATER TIGHT.

2 DUCTWORK NOTES
NO SCALE



3 LAY IN DIFFUSER DETAIL
NOT TO SCALE



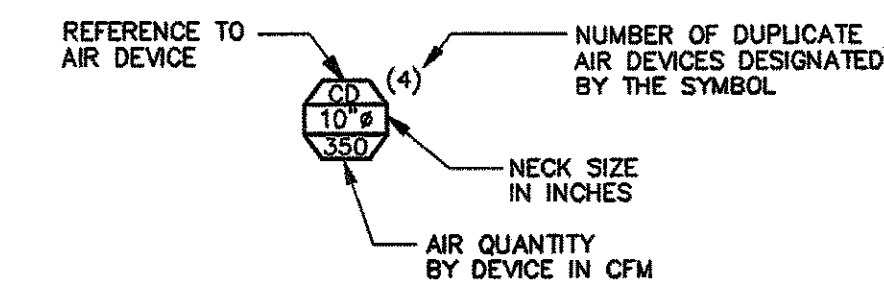
4 ROUND DUCT SPIN-IN DETAIL
NOT TO SCALE

| EXHAUST FAN SCHEDULE | | | | | | | | | | | |
|----------------------|-----------------|-----------|------|-----------|-------------|------------|------|----------|---------------|----------------------|-----------------|
| MARK | AREA SERVED | TIP SPEED | CFM | T.S.P. IN | MAX WGSONES | MOTOR DATA | | | CONTROLLED BY | BASIS OF DESIGN | REMARKS |
| | | | | | | HP | RPM | V/Hz | | | |
| EF-1 | MENS RESTROOM | - | 300 | .38 | 6.0 | 135 WATTS | 1300 | 277/1/60 | WITH LIGHTS | GREENHECK SP-A390 | DIRECT DRIVE ①② |
| EF-2 | WOMENS RESTROOM | - | 300 | .38 | 6.0 | 135 WATTS | 1300 | 277/1/60 | WITH LIGHTS | GREENHECK SP-A390 | DIRECT DRIVE ①② |
| EF-3 | GYMNASIUM | - | 6800 | .125 | - | 1/3 | 360 | 120/1/60 | MANUAL SWITCH | GREENHECK SBE-1L36-3 | BELT DRIVE ③ |

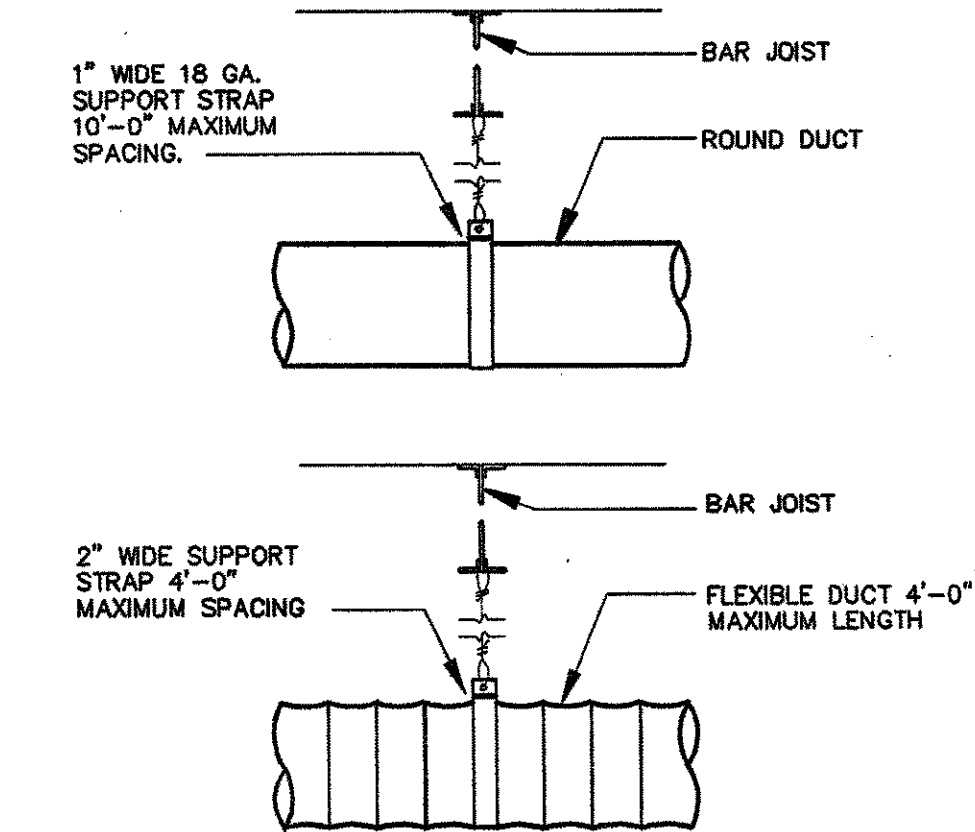
- FAN NOTES:
- PROVIDE THESE FANS WITH SOLID STATE SPEED CONTROLLERS, INTEGRAL GRILLE, ISOLATION HANGERS AND DISCHARGE WALL CAP WITH BIRDSCREEN & BACKDRAFT DAMPER.
 - THESE FANS SHALL BE PROVIDED AT 277V OR WITH A TRANSFORMER ALLOWING THEM TO BE WIRED WITH 277V LIGHTS.
 - PROVIDE THIS SIDEWALL EXHAUST FAN WITH HOUSING GUARD, GRAVITY BACKDRAFT DAMPER AND EXTERIOR WEATHERHOOD WITH BIRDSCREEN.

| AIR DEVICE SCHEDULE | | | |
|---------------------|-------------------|-----------------|--|
| MARK | DESCRIPTION | BASIS OF DESIGN | REMARKS |
| CD | CEILING DIFFUSER | TITUS TMS-AA | FRAME STYLE 3 FOR 24"x24" LAY-IN MODULE, OFF WHITE FINISH ROUND NECK & SQUARE FACE, PROVIDE WITH OPPOSED BLADE DAMPER ALL ALUMINUM CONSTRUCTION, SIZE AND CFM AS INDICATED. |
| DL | DRUM LOUVER | TITUS DL | SURFACE MOUNT, OFF WHITE FINISH, HIGH CAPACITY, LONG THROW, FULLY ADJUSTABLE WITH ROTATING DRUM AND PIVOTING BLADES, ALUMINUM CONST., SIZE AND CFM AS INDICATED. PROVIDE WITH OBD. |
| RAG | RETURN AIR GRILLE | TITUS 355 ZFL | FRAME STYLE 3 FOR LAY-IN MODULE, 24"x24", OFF WHITE FINISH SQUARE NECK & SQUARE FACE, 1/2" BLADE SPACING, 0° DEFLECTION, ALL ALUMINUM CONSTRUCTION, 22"x22" NECK. |
| HDR | HEAVY DUTY RETURN | TITUS 30 RL | FRAME STYLE 1 FOR SURFACE MOUNT, OFF WHITE FINISH, RECTANGULAR NECK & FACE, PROVIDE WITH 3/8" BLADE SPACING, 0° DEFLECTION & OBD. STEEL CONSTRUCTION, SIZE AND CFM AS INDICATED. |
| TG | TRANSFER GRILLE | TITUS 355 ZFL | FRAME STYLE 3 FOR LAY-IN MODULE, 24"x24", OFF WHITE FINISH SQUARE NECK & SQUARE FACE, 1/2" BLADE SPACING, 0° DEFLECTION, ALL ALUMINUM CONSTRUCTION, 22"x22" NECK. |

- AIR DEVICE NOTES:
- PROVIDE SQUARE TO ROUND TRANSITIONS ON ALL SUPPLY DIFFUSERS IF REQUIRED.
 - THROW PATTERNS FOR CEILING DIFFUSERS ARE 4-WAY UNLESS OTHERWISE INDICATED.
 - PROVIDE PLASTER FRAMES FOR LAY-IN DEVICES IN GYP. BOARD CEILINGS.



5 AIR DEVICE LEGEND
NOT TO SCALE



6 DUCT SUPPORT DETAIL
NOT TO SCALE

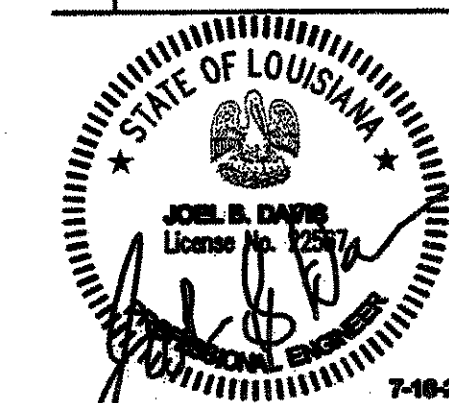
MULTI-PURPOSE BUILDING FOR
NORTHLAKE CHRISTIAN SCHOOL
70104 WOLVERNE DRIVE
COVINGTON, LOUISIANA 70433

ZITO·RUSSELL
ARCHITECTS, P.C.
800 S. UNIVERSITY BLVD., SUITE 20
MOBILE, AL 36608
PHONE (251) 543-8161 FAX (251) 543-8505

© COPYRIGHT 2010
ZITO - RUSSELL
ARCHITECTS, P.C.

REVISIONS

| NO. | DATE | DESCRIPTION |
|-----|------|-------------|
| | | |
| | | |
| | | |



FILE 3316
DATE 07/18/10
SHEET

M2