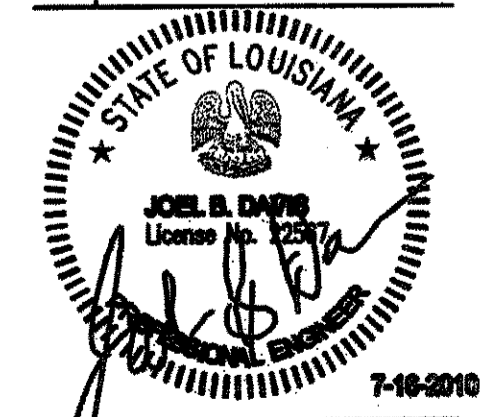
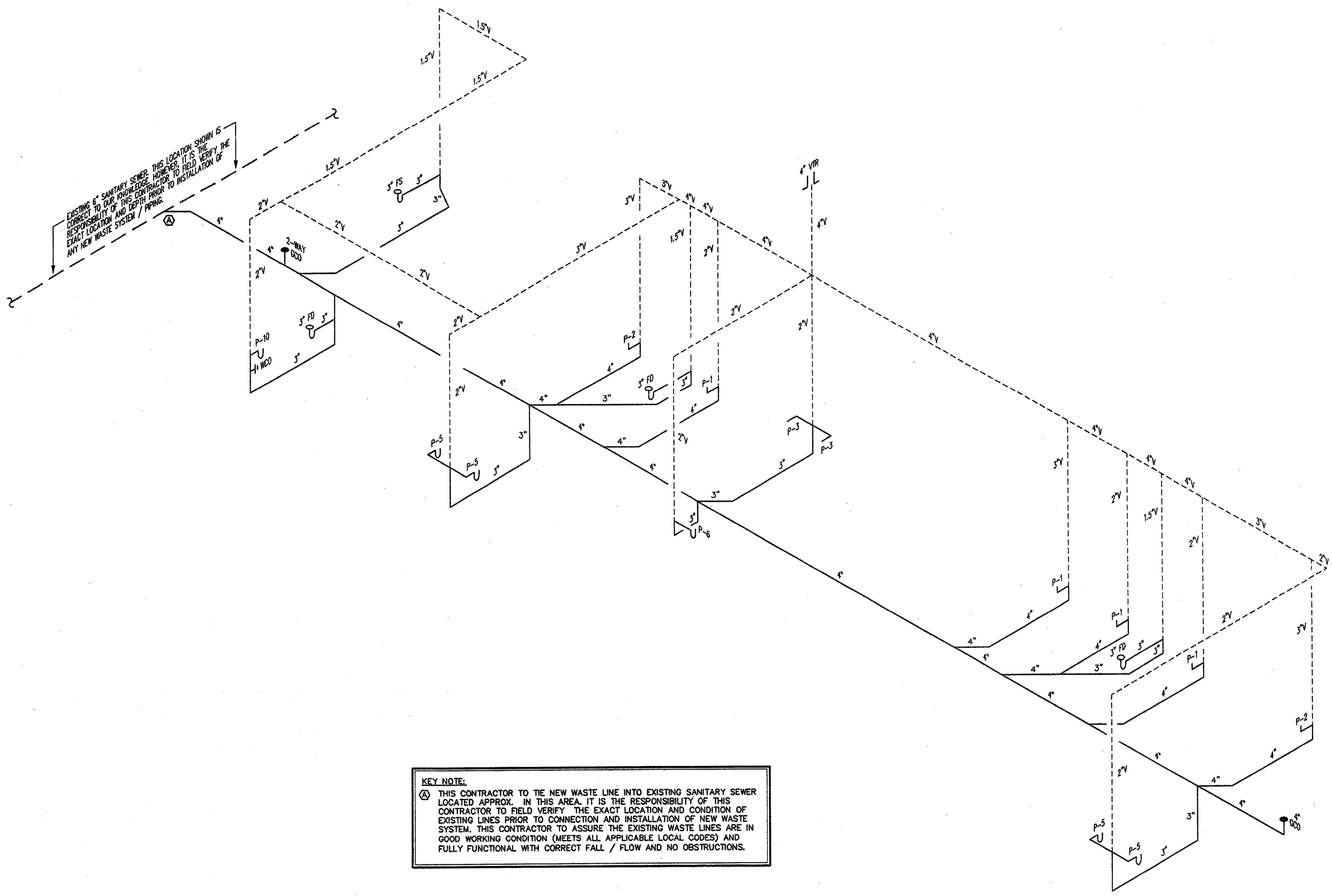


REVISIONS



FILE: 3316
 DATE: 07/16/10
 SHEET

P4



KEY NOTE:
 Ⓐ THIS CONTRACTOR TO THE NEW WASTE LINE INTO EXISTING SANITARY SEWER LOCATED APPROX. IN THIS AREA. IT IS THE RESPONSIBILITY OF THIS CONTRACTOR TO FIELD VERIFY THE EXACT LOCATION AND CONDITION OF EXISTING LINES PRIOR TO CONNECTION AND INSTALLATION OF NEW WASTE SYSTEM. THIS CONTRACTOR TO ASSURE THE EXISTING WASTE LINES ARE IN GOOD WORKING CONDITION (MEETS ALL APPLICABLE LOCAL CODES) AND FULLY FUNCTIONAL WITH CORRECT FALL / FLOW AND NO OBSTRUCTIONS.

NOTE:
 ALL VENT THROUGH ROOF (VTR) PENETRATIONS SHALL MAINTAIN A MINIMUM OF 10'-0" CLEARANCE FROM ANY MECHANICAL HVAC OUTSIDE AIR INTAKE DEVICE. COORDINATE ALL VTR LOCATIONS WITH THE HVAC CONTRACTOR PRIOR TO INSTALLATION, COORDINATE WITH ALL TRADES THROUGH OUT THE ENTIRE LENGTH OF THE PROJECT.

1 PLUMBING WASTE RISER
 P4 NOT TO SCALE

DRAWN: _____
 SCALE: _____
 MULTI-PURPOSE BUILDING FOR
 NORTHLAKE CHRISTIAN SCHOOL
 70104 WOLVERNE DRIVE
 COVINGTON, LOUISIANA 70433
 FILE: _____