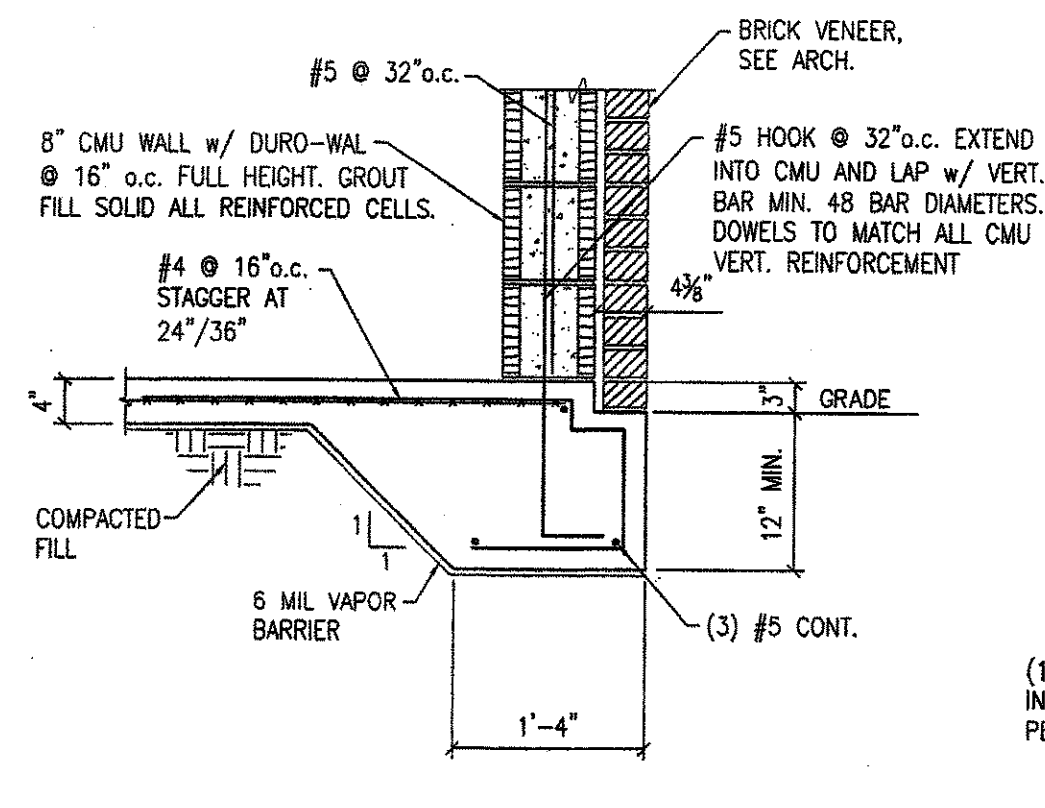
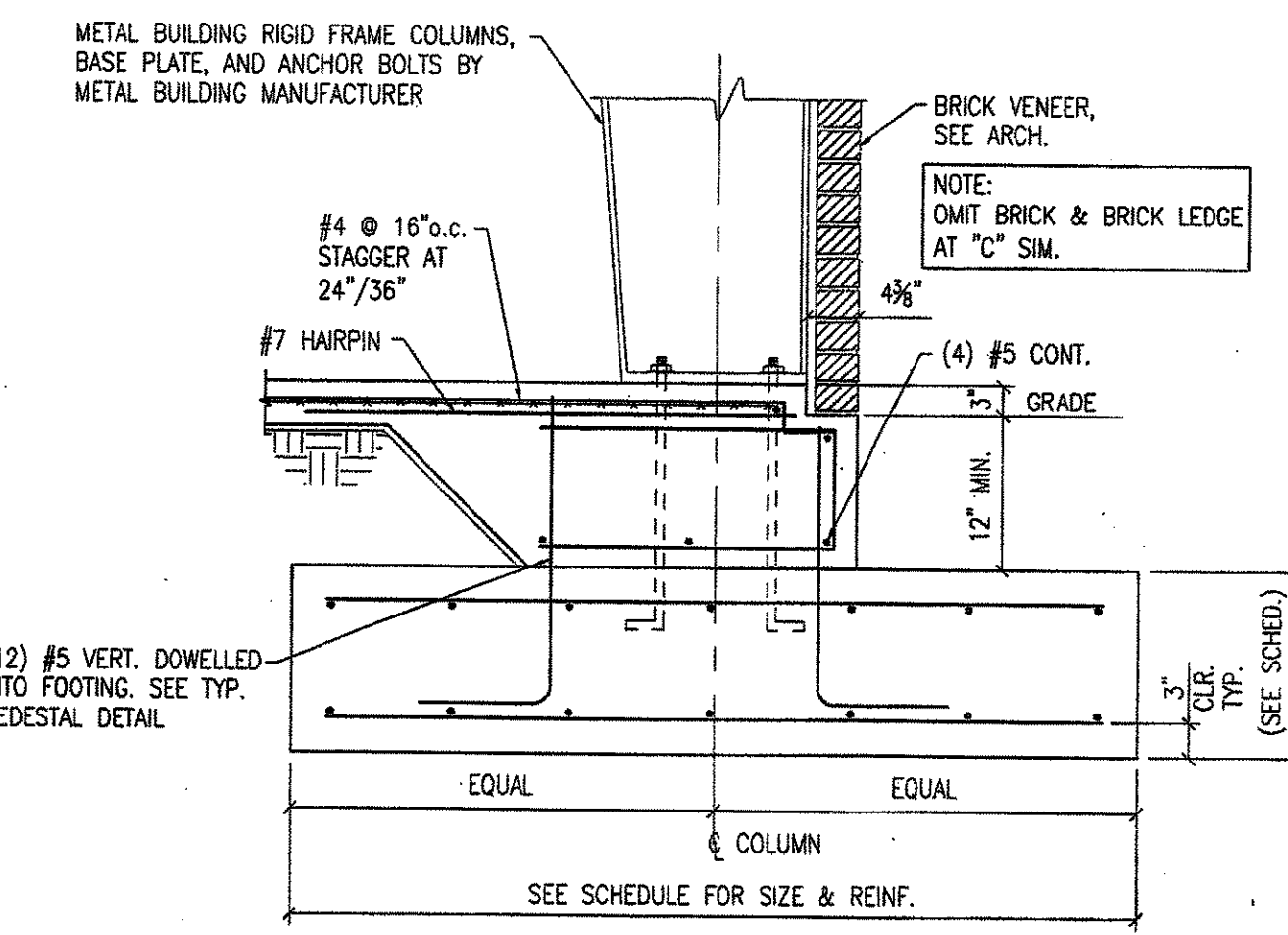


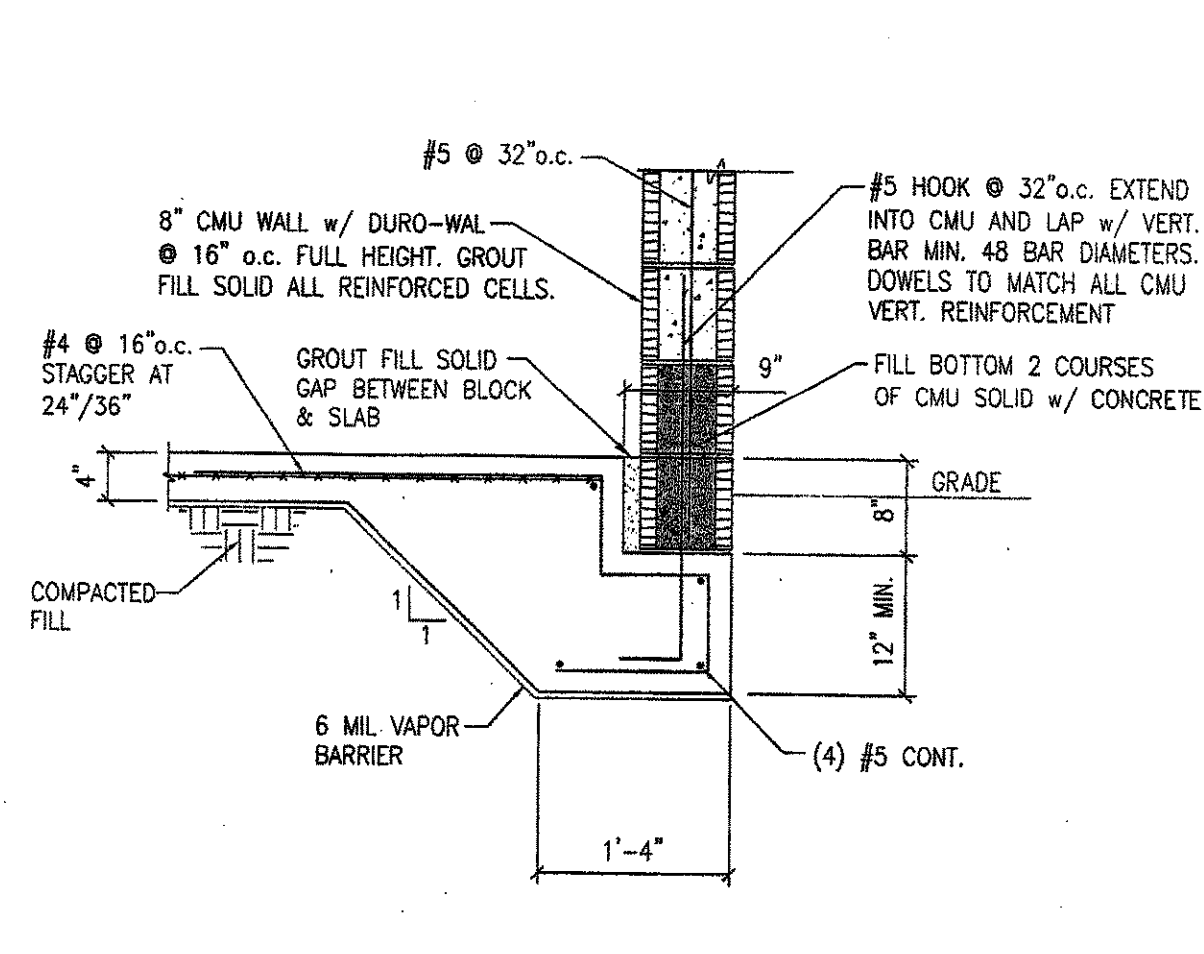
SECTION A
SCALE: 3/4" = 1'-0"



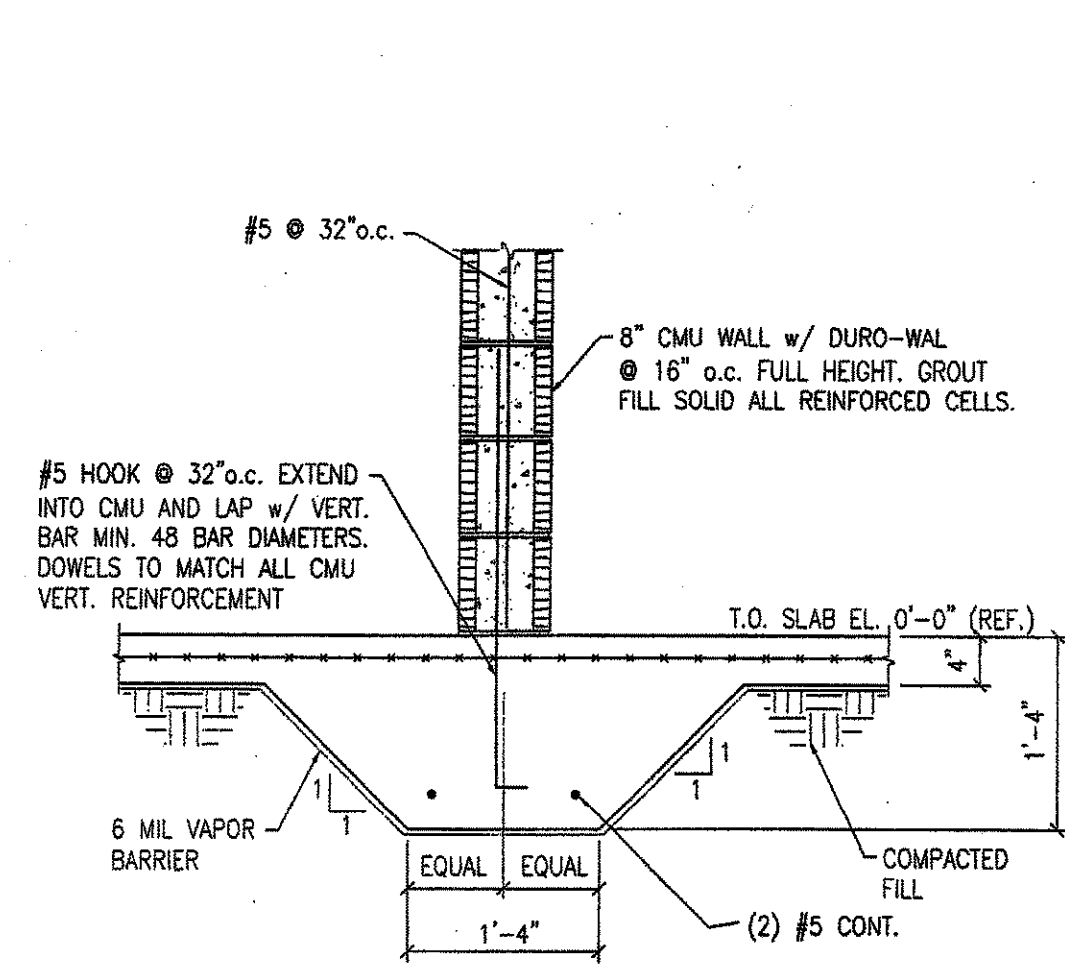
SECTION B
SCALE: 3/4" = 1'-0"



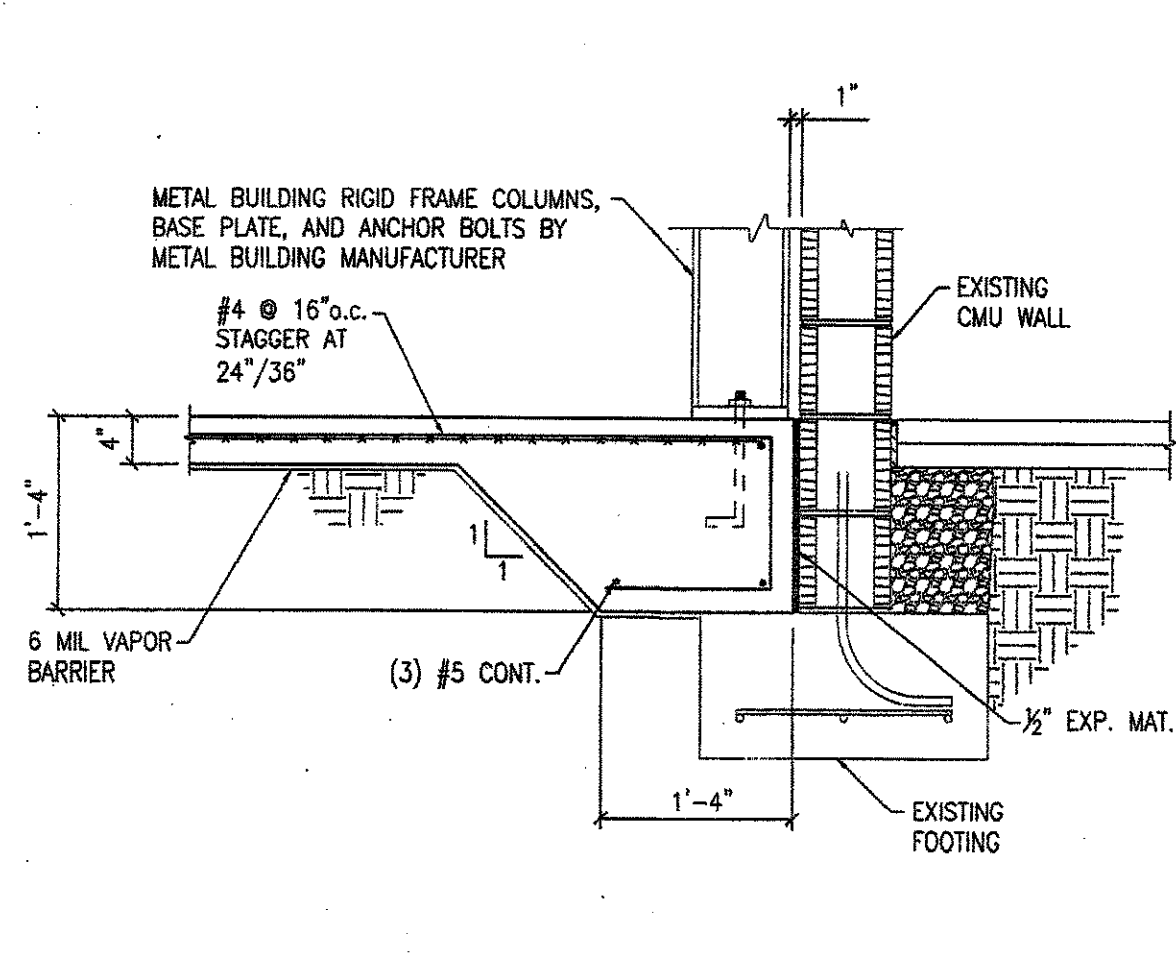
SECTION C
SCALE: 3/4" = 1'-0"



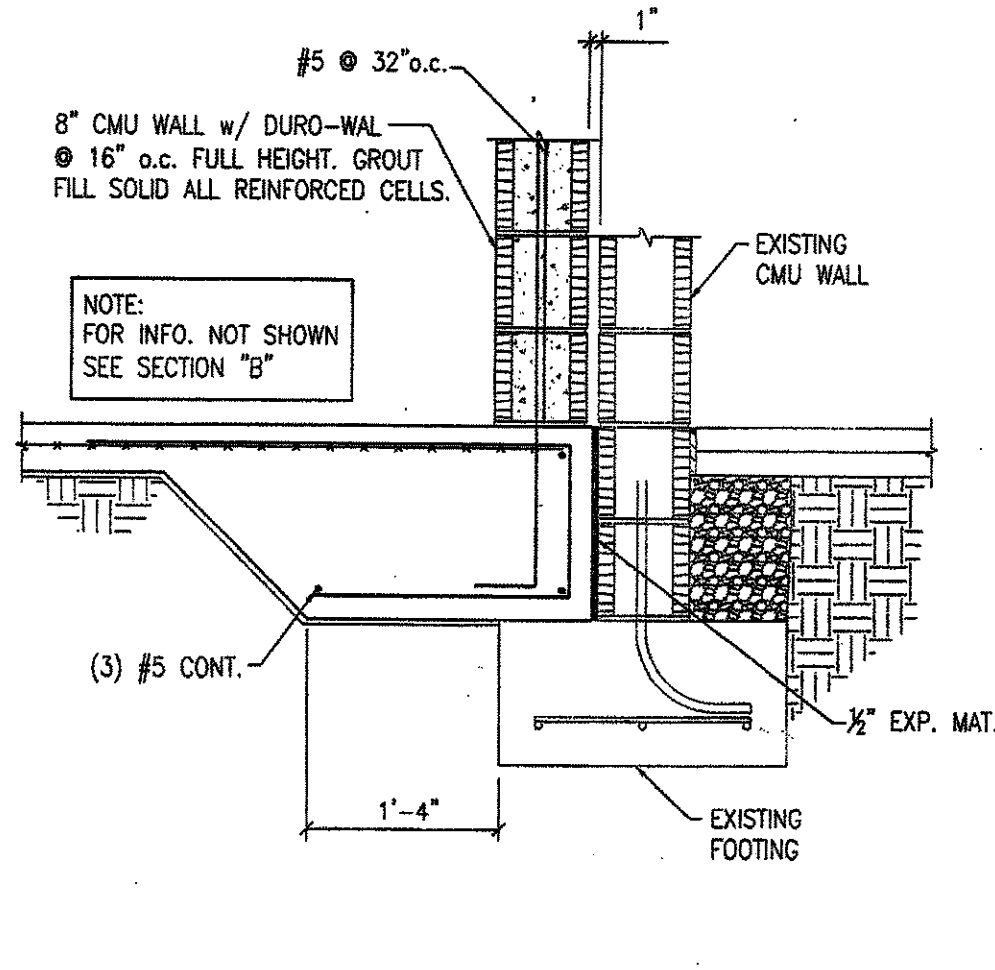
SECTION D
SCALE: 3/4" = 1'-0"



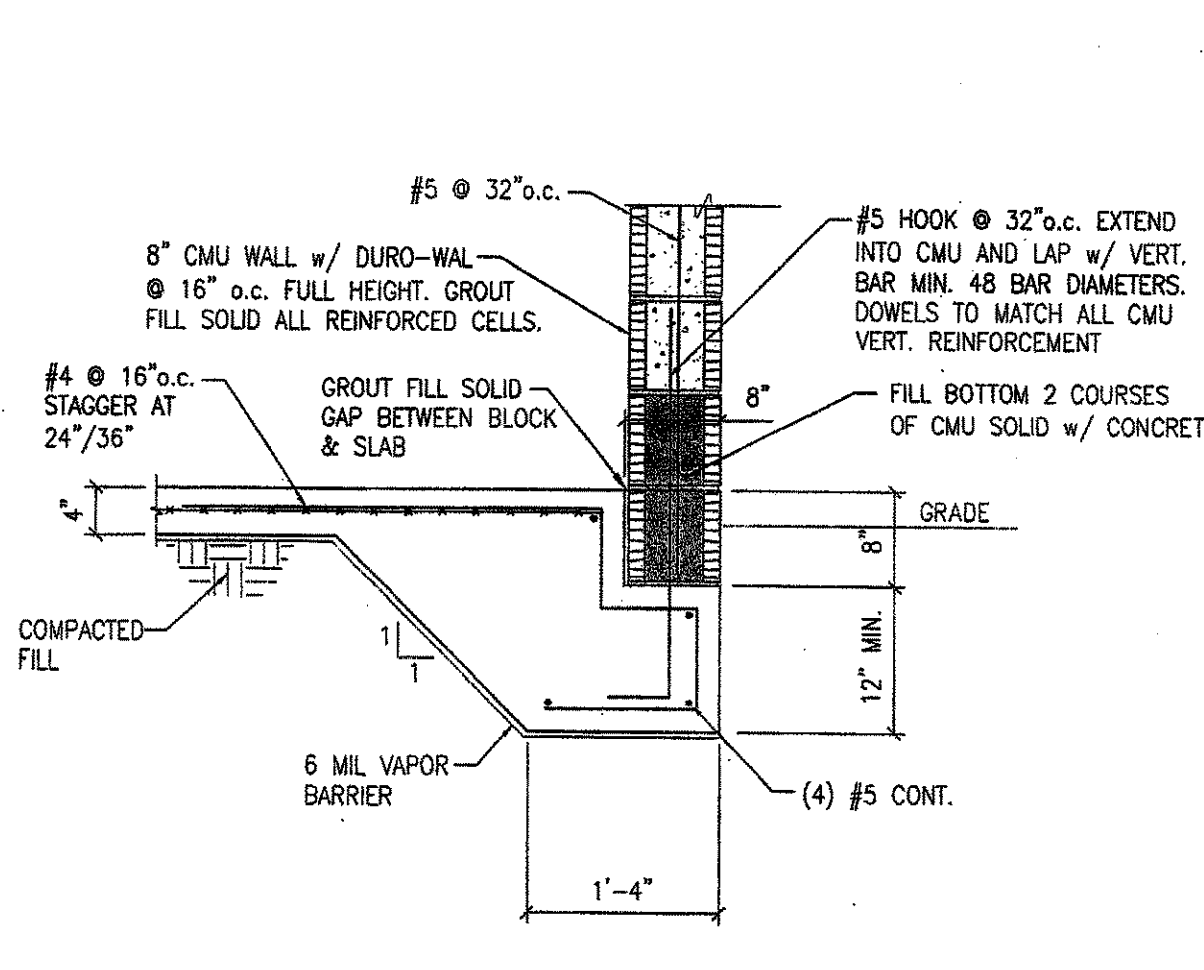
SECTION E
SCALE: 3/4" = 1'-0"



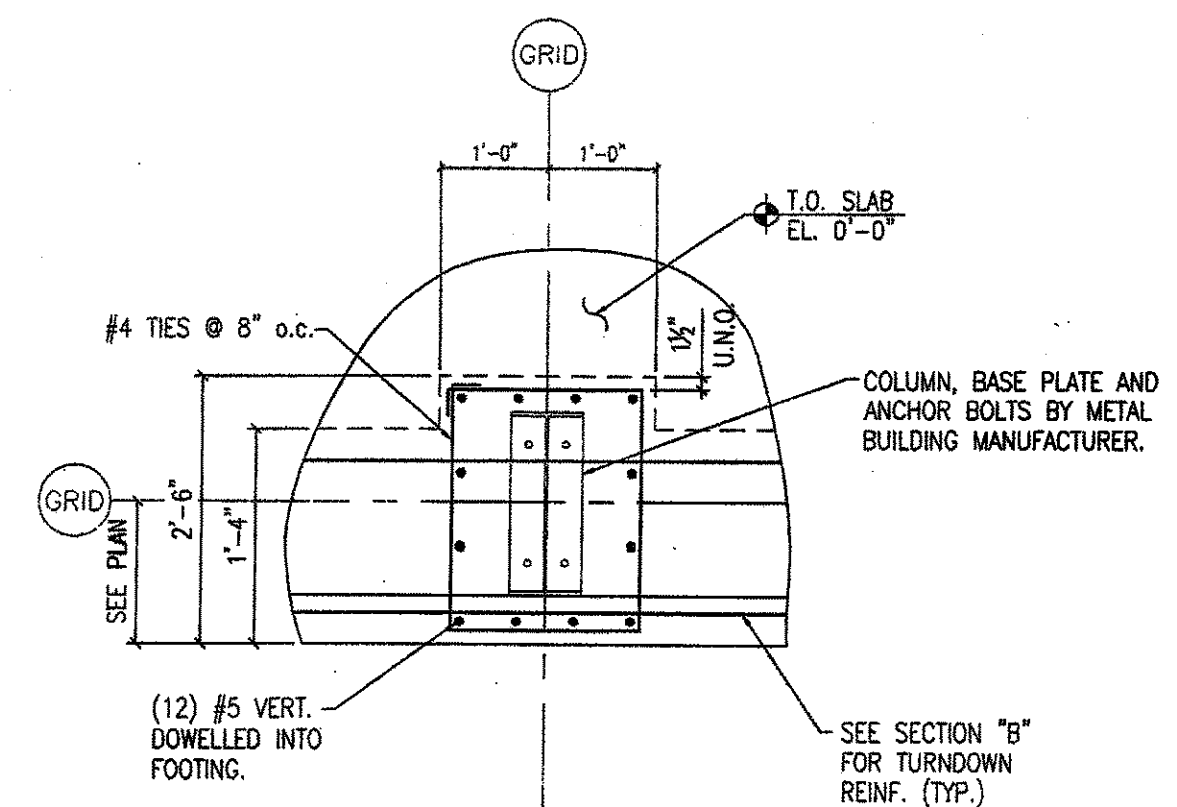
SECTION F
SCALE: 3/4" = 1'-0"



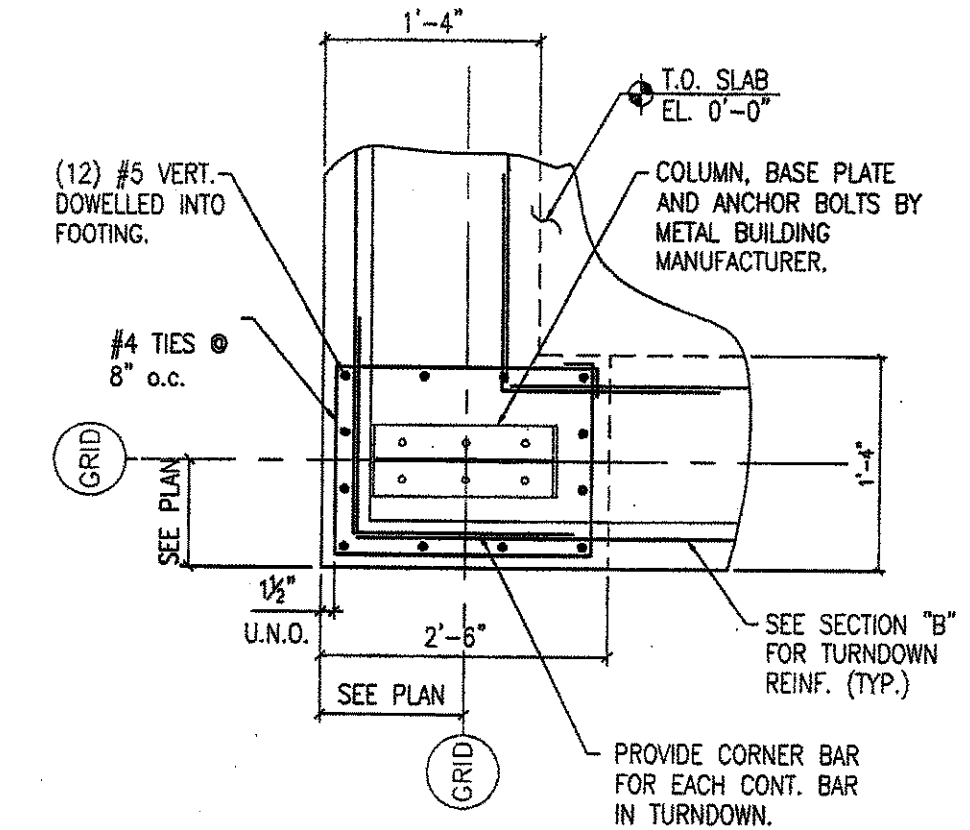
SECTION G
SCALE: 3/4" = 1'-0"



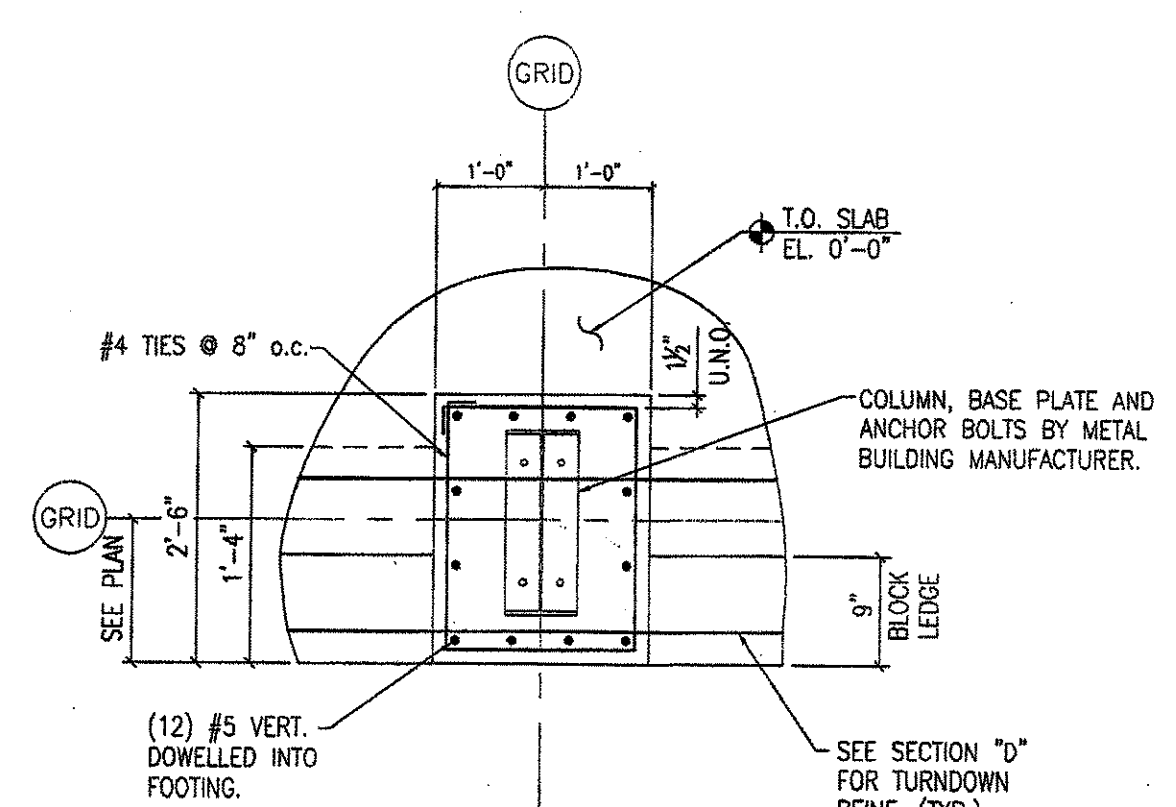
SECTION H
SCALE: 3/4" = 1'-0"



TYP. PEDESTAL DETAIL
SCALE: N.T.S.
(SOUTH & NORTH WALL w/ BRICK LEDGE)



TYP. CORNER PEDESTAL DETAIL
SCALE: N.T.S.



TYP. PEDESTAL DETAIL
SCALE: N.T.S.
(NORTH WALL w/o BRICK LEDGE)

NOTE:
VERIFY ALL DIMENSIONS AND ELEVATIONS WITH ARCHITECTURAL DRAWINGS PRIOR TO START OF WORK.

LOLON
ENGINEERING AND CONSTRUCTION, LLC
5550 COMMERCE BLVD, EAST MOBILE, ALABAMA 36619
PHONE: 251.338.6700 FAX: 251.443.8843

MULTI-PURPOSE BUILDING FOR
NORTHLAKE CHRISTIAN SCHOOL
70104 WOLVERINE DRIVE
COVINGTON, LOUISIANA 70433

ZITO-RUSSELL
ARCHITECTS, P.C.
820 S. UNIVERSITY BLVD., SUITE 26
MOBILE, AL 36609
PHONE (251) 343-6161 FAX (251) 343-5505

REVISIONS

STATE OF LOUISIANA
WILLIAM T. SEAL
REGISTERED PROFESSIONAL ENGINEER
IN
CIVIL ENGINEERING
1-15-20
July 15, 2010

FILE H10561
DATE 06/24/10
SHEET

S1.1