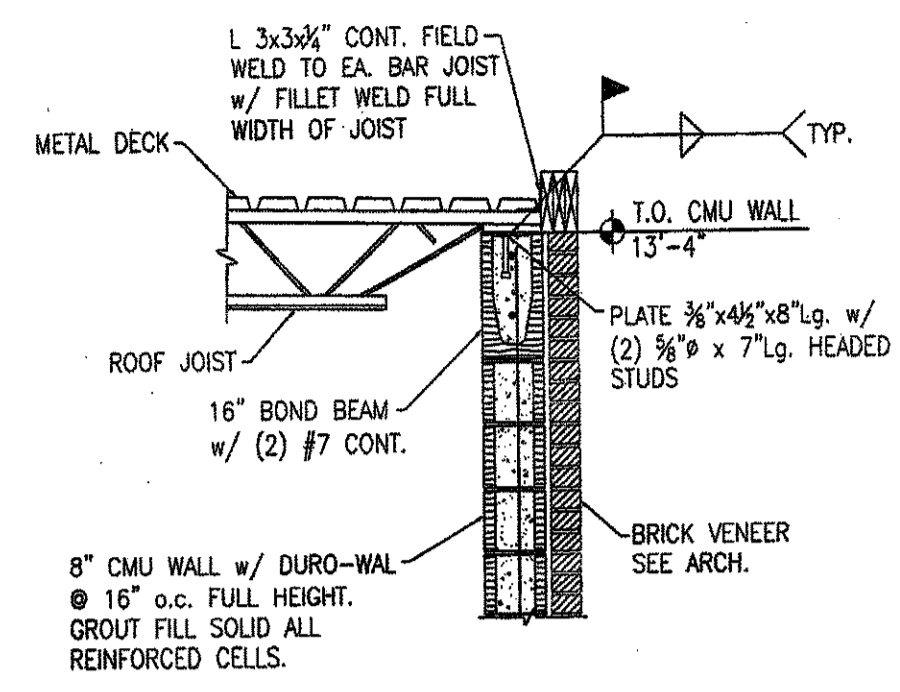
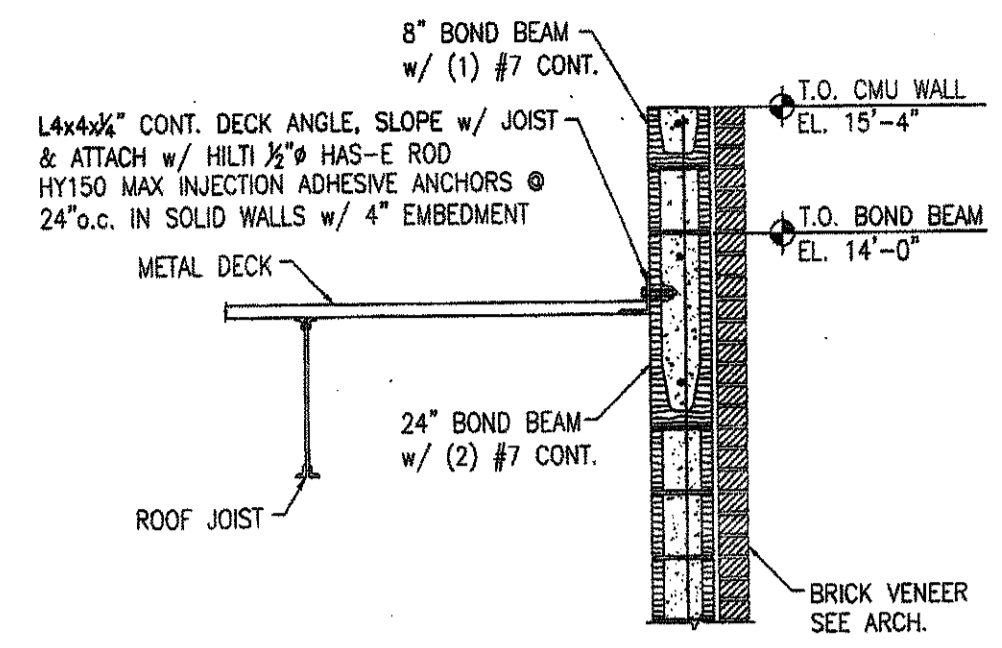


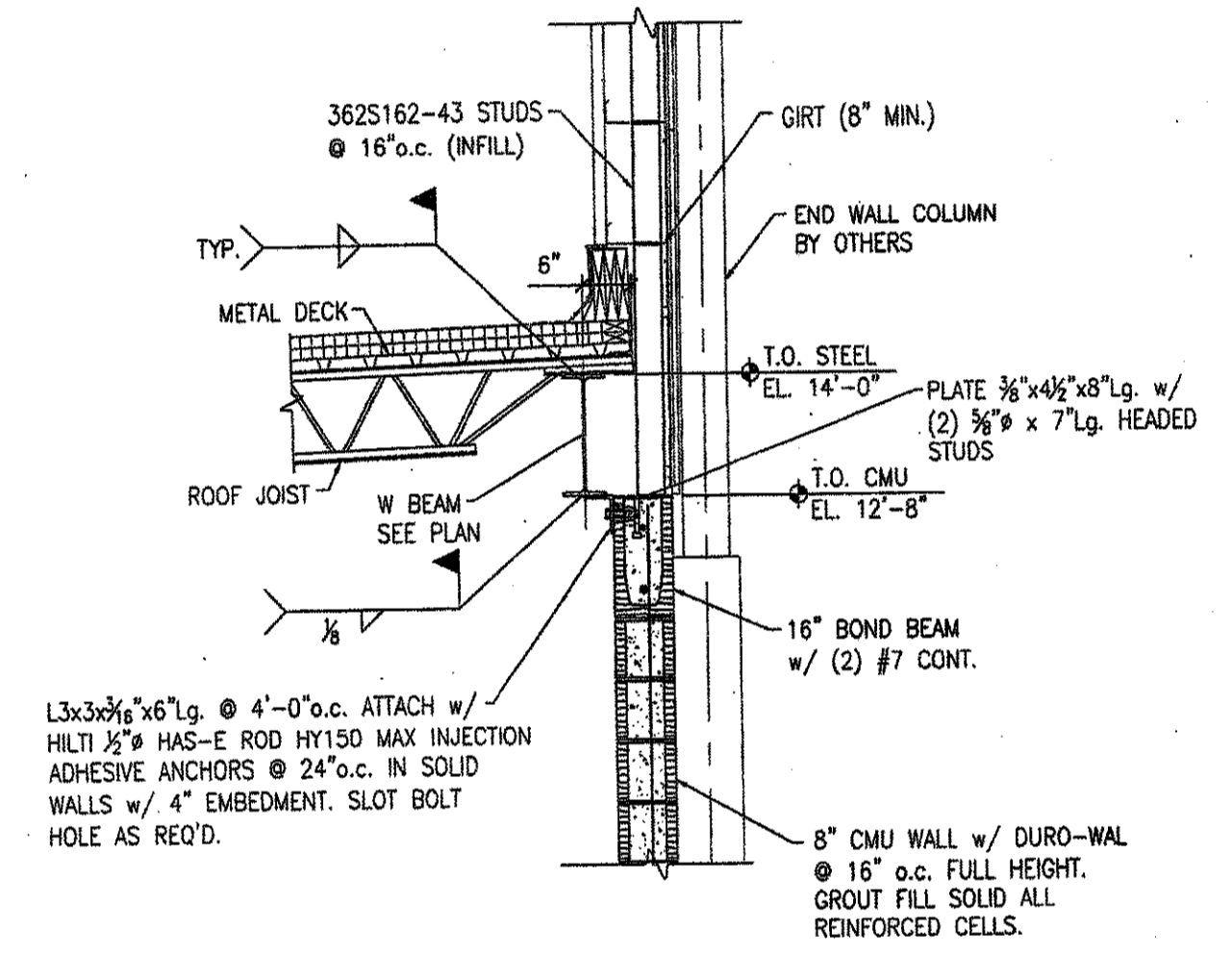
SECTION H
SCALE: 1/2" = 1'-0"
2.0/2.1



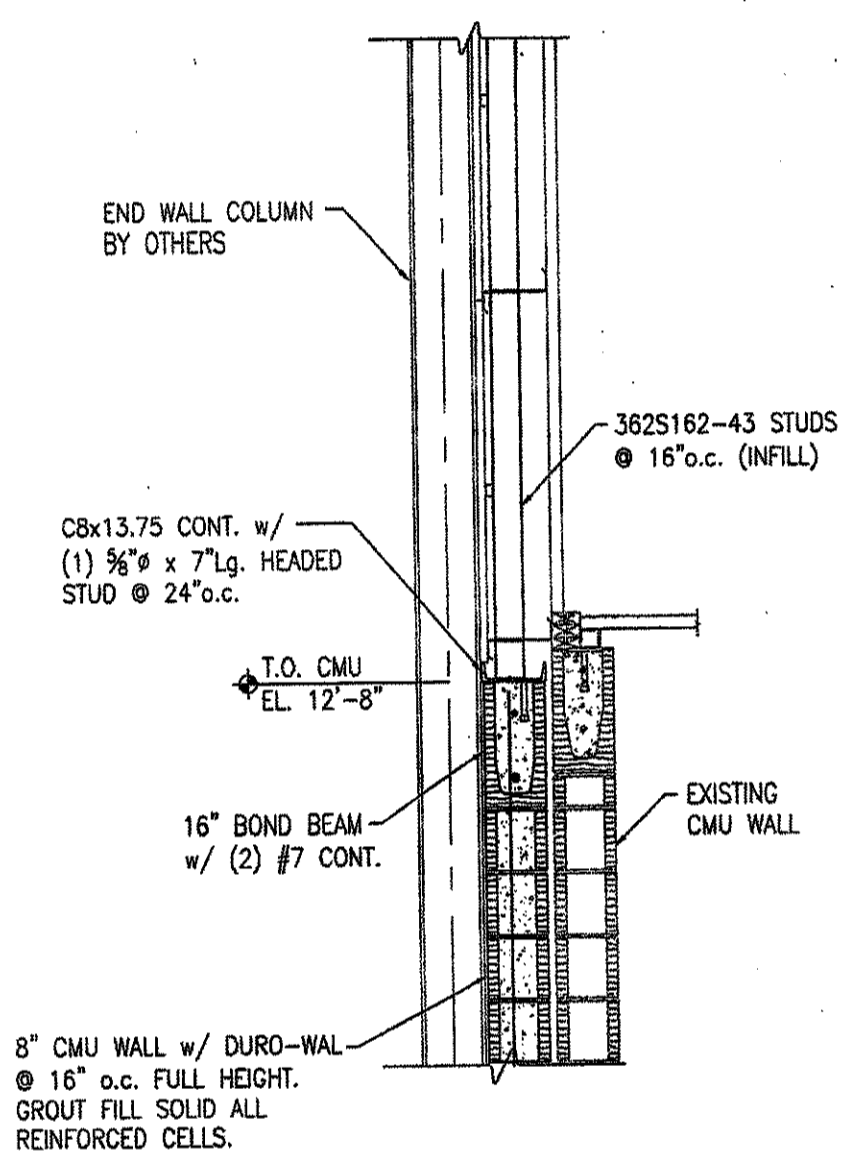
SECTION J
SCALE: 1/2" = 1'-0"
2.0/2.1



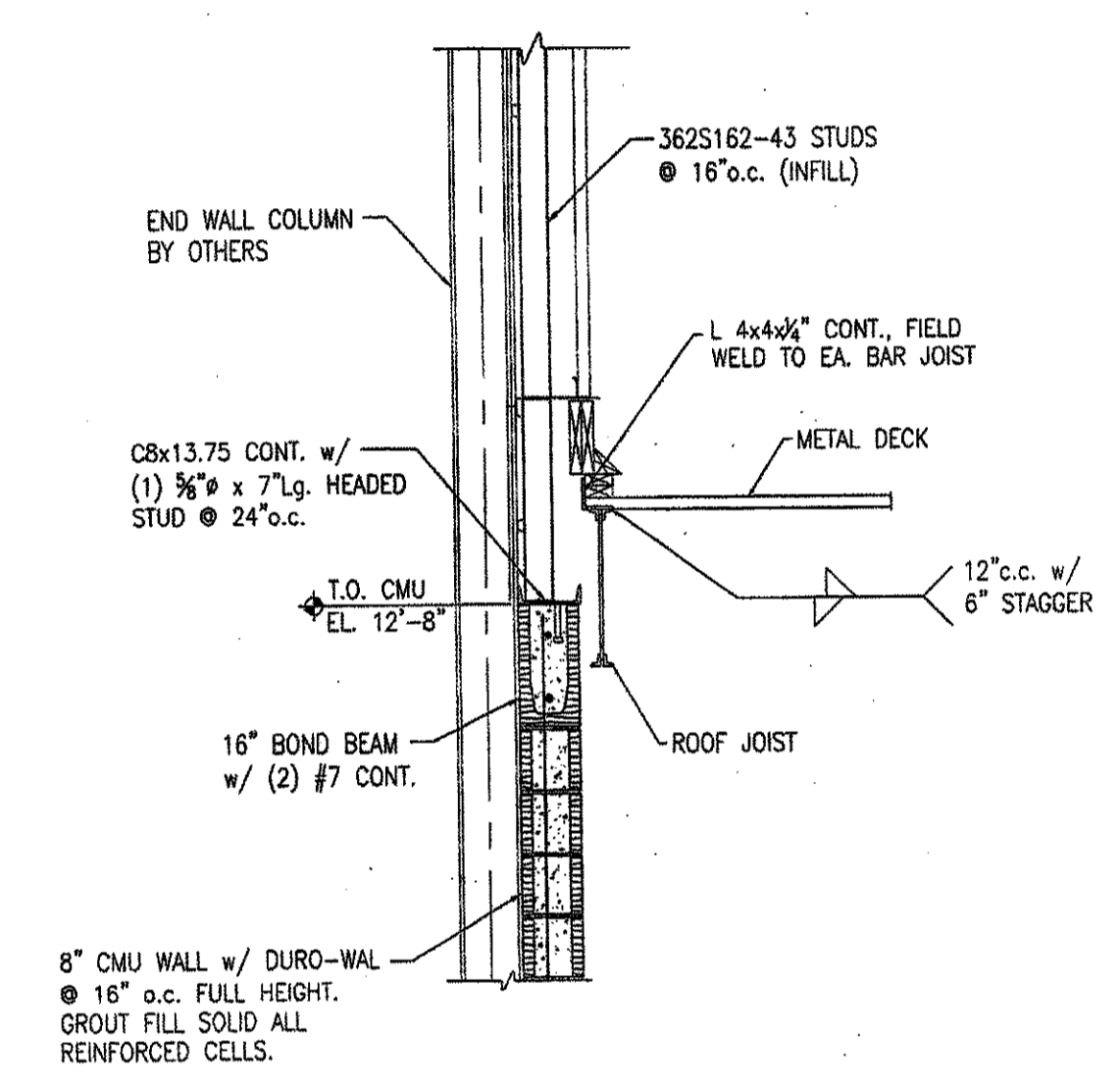
SECTION K
SCALE: 1/2" = 1'-0"
2.0/2.1



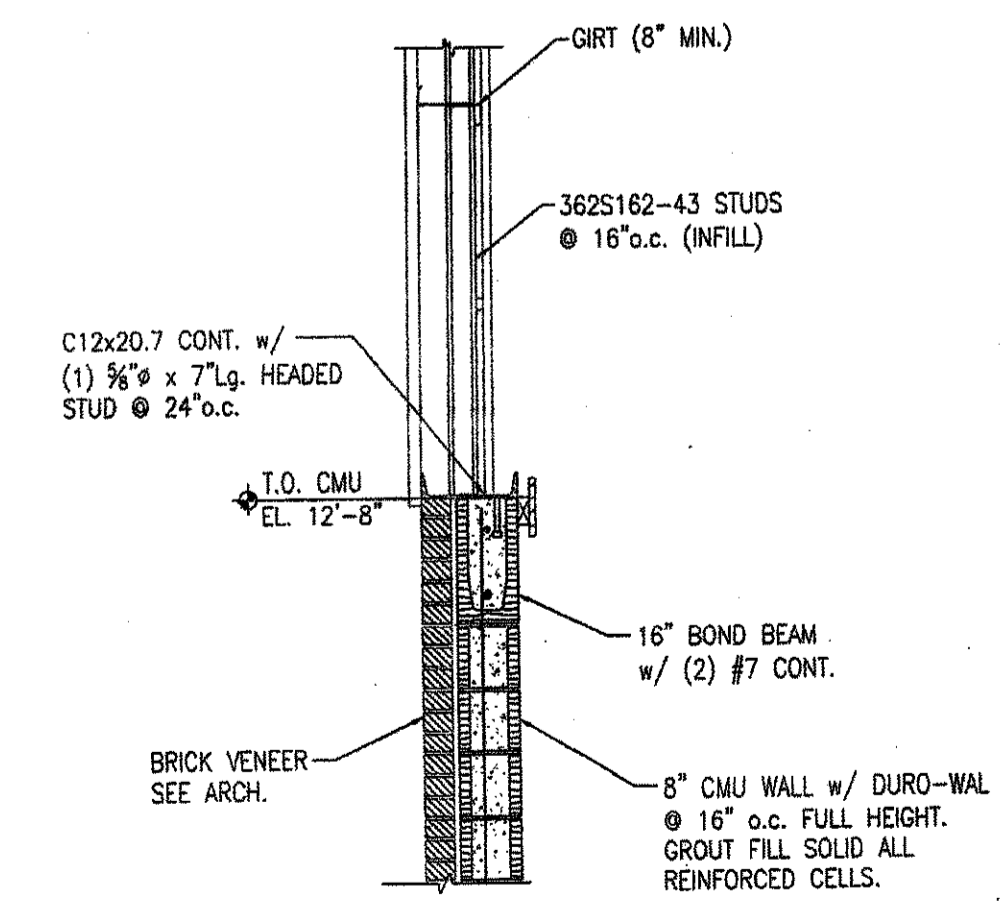
SECTION L
SCALE: 1/2" = 1'-0"
2.0/2.1



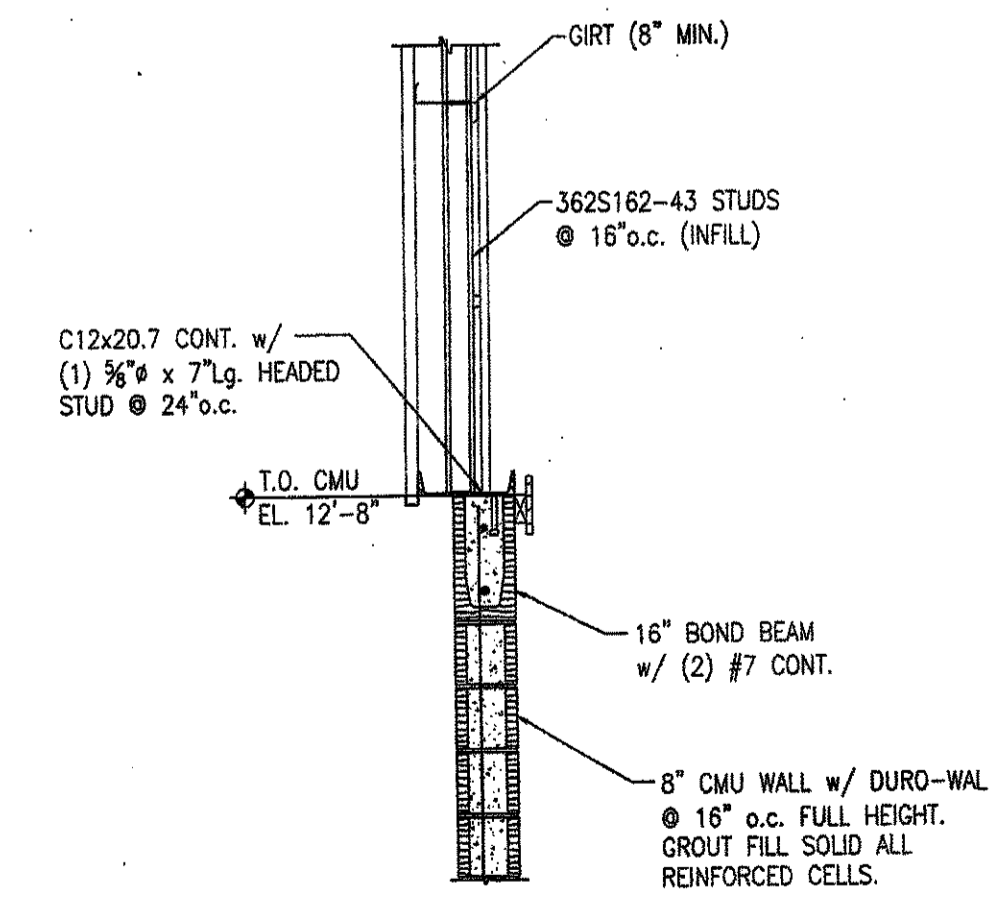
SECTION M
SCALE: 1/2" = 1'-0"
2.0/2.1



SECTION N
SCALE: 1/2" = 1'-0"
2.0/2.1



SECTION P
SCALE: 1/2" = 1'-0"
2.0/2.1



SECTION Q
SCALE: 1/2" = 1'-0"
2.0/2.1

MULTI-PURPOSE BUILDING FOR
NORTHLAKE CHRISTIAN SCHOOL
70104 WOLVERINE DRIVE
COVINGTON, LOUISIANA 70433

ZITO RUSSELL
ARCHITECTS, P.C.
820 S. UNIVERSITY BLVD. SUITE 202
MOBILE, AL 36609
PHONE (251) 343-6161
FAX (251) 343-5505

© COPYRIGHT 2007
ZITO - RUSSELL
ARCHITECTS, P.C.

REVISIONS

WILLIAM J. SELBY
Professional Engineer
1-15-2010

FILE H10561
DATE 06/24/10
SHEET

S2.1

NOTE:
VERIFY ALL DIMENSIONS AND
ELEVATIONS WITH
ARCHITECTURAL DRAWINGS
PRIOR TO START OF WORK.

LOLON
ENGINEERING AND
CONSTRUCTION, LLC
5550 COMMERCE BLVD. EAST
MOBILE, ALABAMA 36619
PHONE: 251-336-6700
FAX: 251-443-8843

July 15, 2010