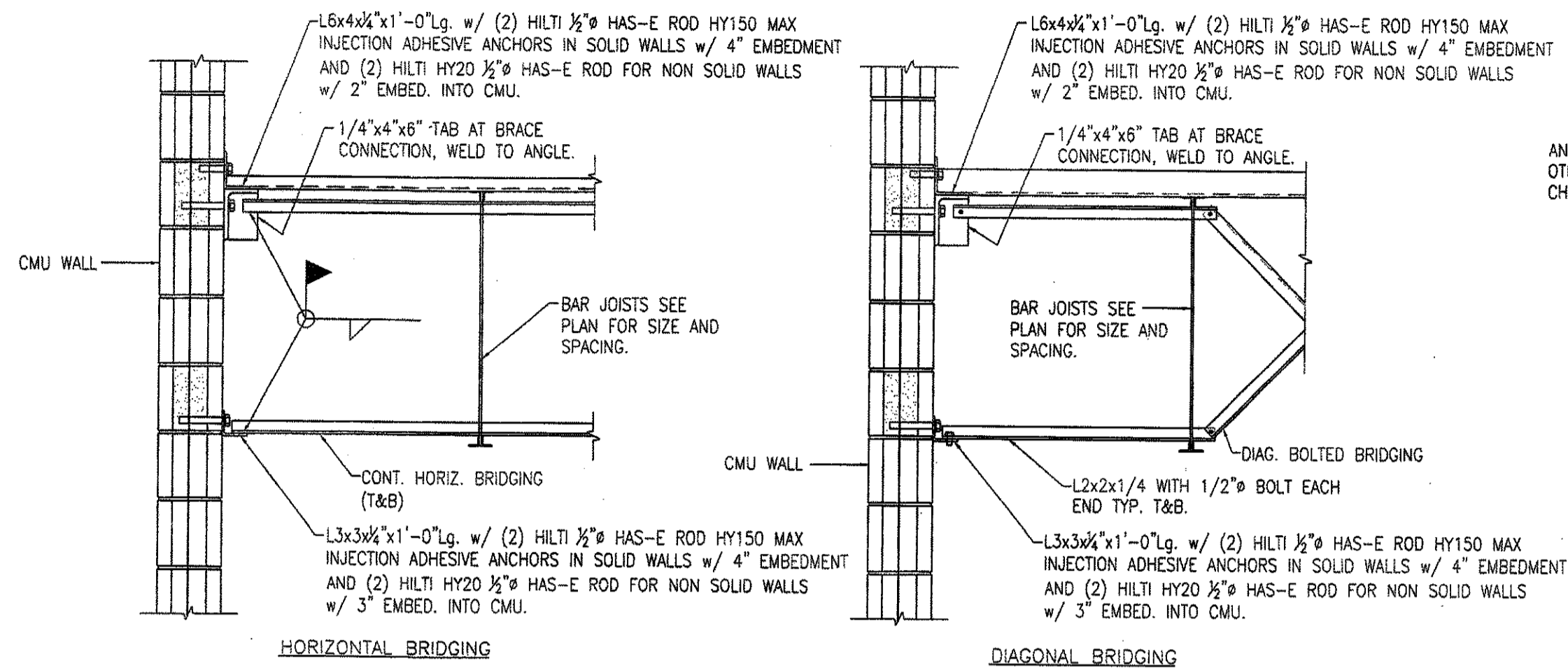


NOTE:  
VERIFY REQUIRED QUANTITY AND LOCATIONS OF  
FRAMES WITH MECHANICAL DRAWINGS.

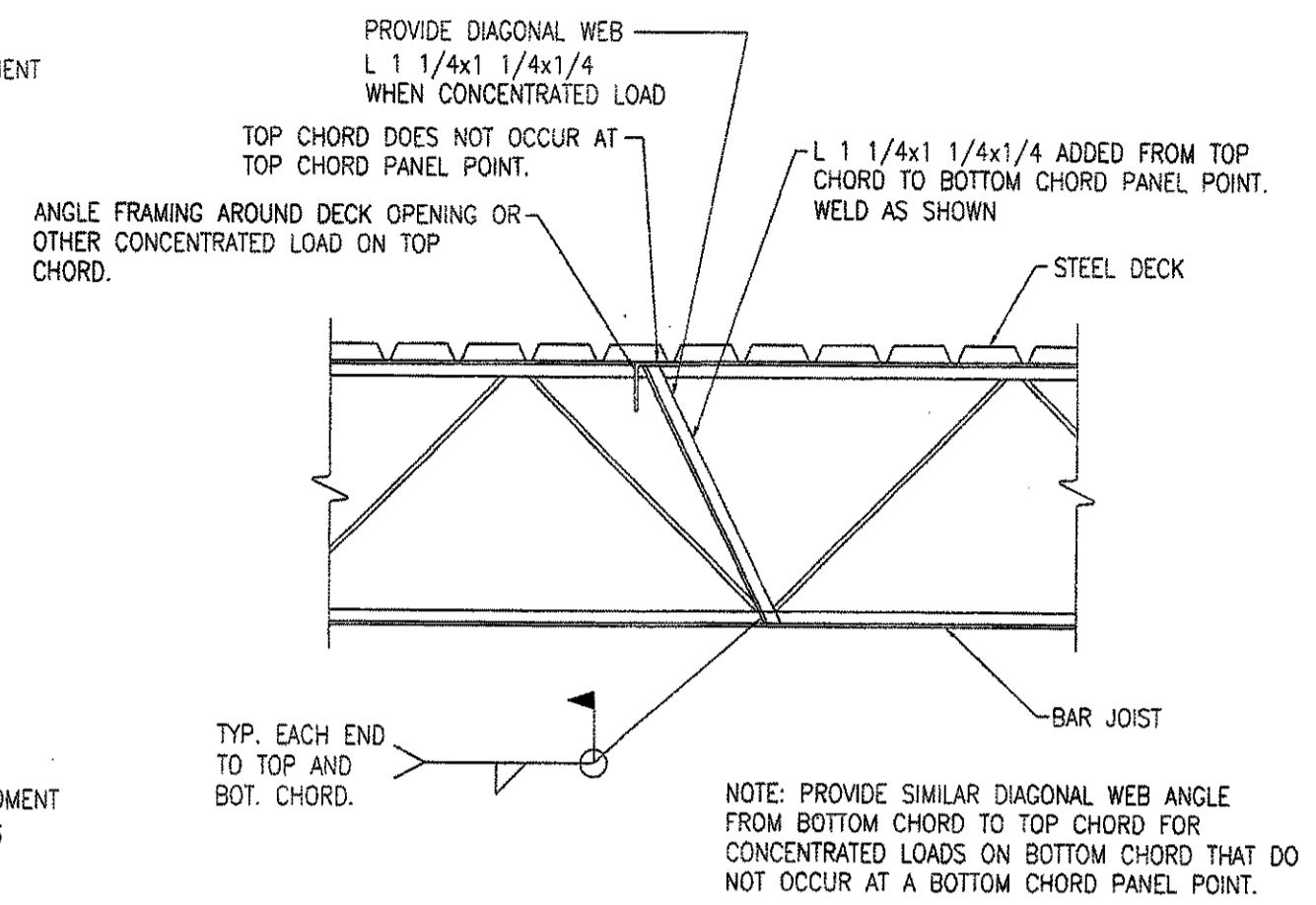
TYP. ROOF OPENING FRAME DETAIL

SCALE: N.T.S.



TYPICAL JOIST BRIDGING DETAILS

NOT TO ANY SCALE



TYPICAL K SERIES BAR JOIST WEB DETAIL

NOT TO ANY SCALE

MULTI-PURPOSE BUILDING FOR  
**NORTHLAKE CHRISTIAN SCHOOL**  
70104 WOLVERINE DRIVE  
COVINGTON, LOUISIANA 70433

**ZITO • RUSSELL**  
ARCHITECTS, P.C.  
820 S. UNIVERSITY BLVD., SUITE 202 MOBILE, AL. 36609  
PHONE (251) 343-6161 FAX (251) 343-5505

© COPYRIGHT 2007  
ZITO • RUSSELL  
ARCHITECTS, P.C.

| REVISIONS |
|-----------|
|           |
|           |
|           |
|           |

STATE OF LOUISIANA  
I, *[Signature]*  
PROFESSOR ENGINEER  
IN  
CIVIL ENGINEERING  
June 24, 2010

FILE H10561  
DATE 06/24/10  
SHEET

**S4.0**

NOTE:  
VERIFY ALL DIMENSIONS AND  
ELEVATIONS WITH  
ARCHITECTURAL DRAWINGS  
PRIOR TO START OF WORK.

**LOLON**  
ENGINEERING AND  
CONSTRUCTION, LLC  
5550 COMMERCE BLVD. EAST  
MOBILE, ALABAMA 36619  
PHONE: 251.338.6700  
FAX: 251.443.8843