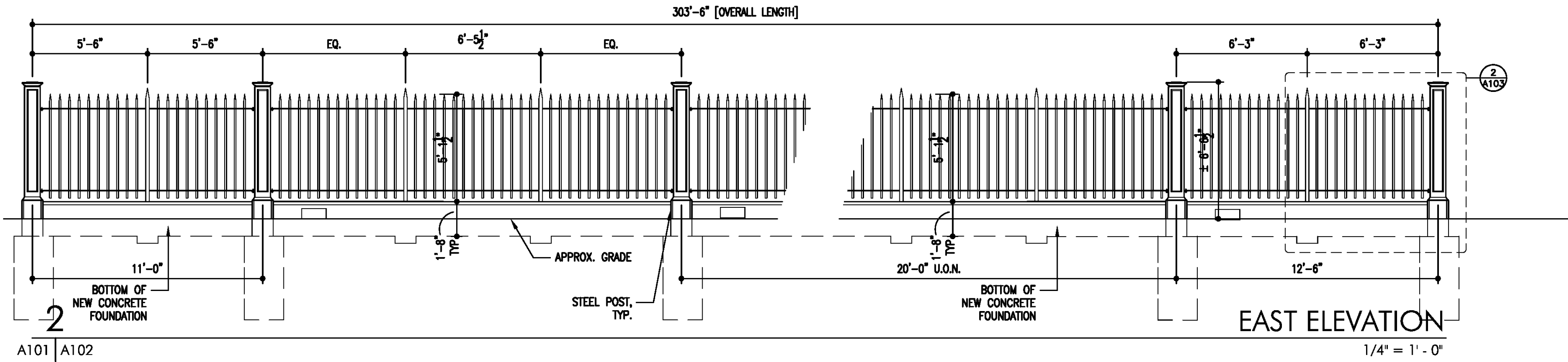


A101 | A102

NORTH ELEVATION

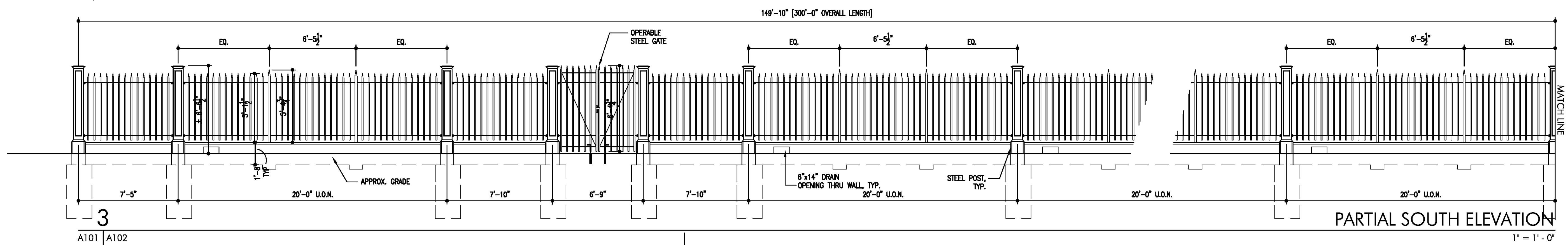
1/4" = 1' - 0"



A101 | A102

EAST ELEVATION

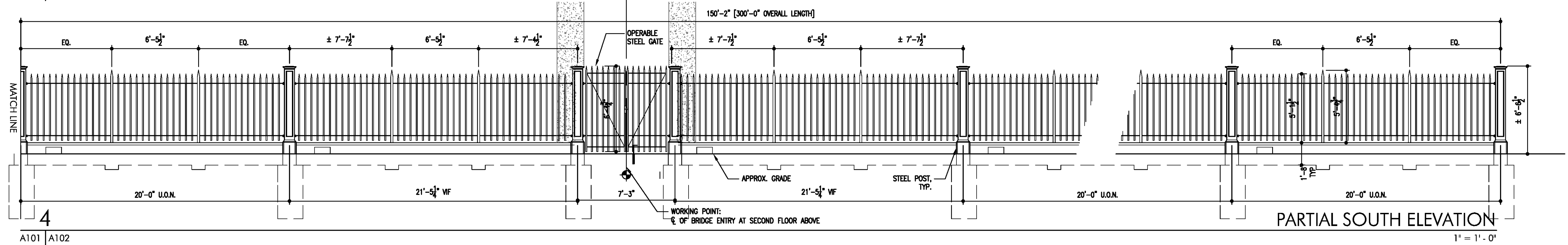
1/4" = 1' - 0"



A101 | A102

PARTIAL SOUTH ELEVATION

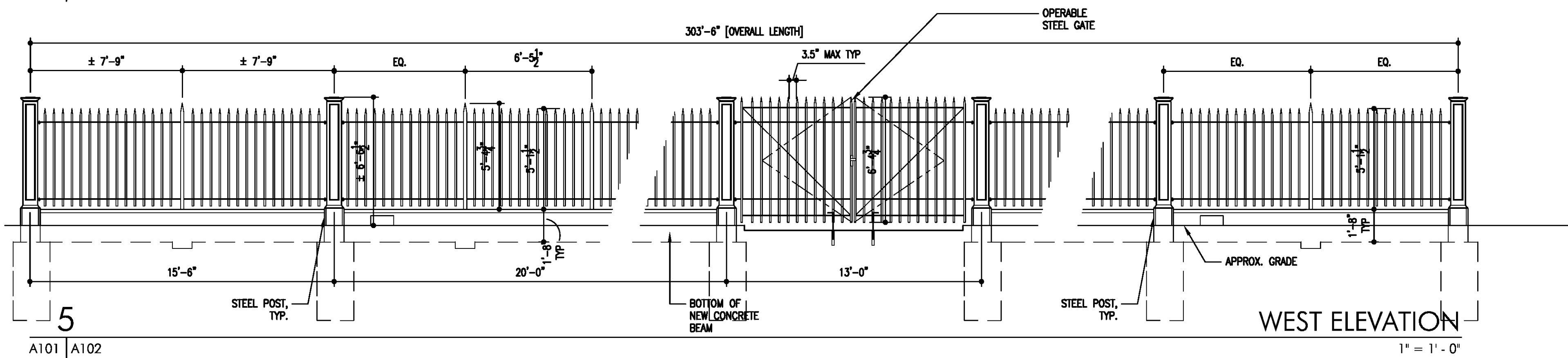
1" = 1' - 0"



A101 | A102

PARTIAL SOUTH ELEVATION

1" = 1' - 0"



A101 | A102

WEST ELEVATION

1" = 1' - 0"

Waggoner & Ball Architects
 2200 PRYTHANA STREET
 NEW ORLEANS, LOUISIANA 70130
 T 504.524.5308 F 504.524.5314
 wballarchitects.com

Copyright © 2009 by Waggoner & Ball Architects, APC. All rights reserved. No part of this work covered by the copyright herein may be reproduced or used in any form or by any means - graphic, electronic or mechanical, including photocopying, recording, taping or information storage and retrieval systems - without written permission of the copyright holder.

ACADEMY OF THE SACRED HEART PHASE 2
 New Arts and Athletics Facility
 4501 CARONDELET ST.
 NEW ORLEANS, LOUISIANA 70115
 PROJECT NO.: 0209-20

SHEET TITLE:
 SITE DETAILS
 FENCE ELEVATIONS

DATE: JAN 08, 2010
 DRAWN BY: ART
 REVISION:



A102