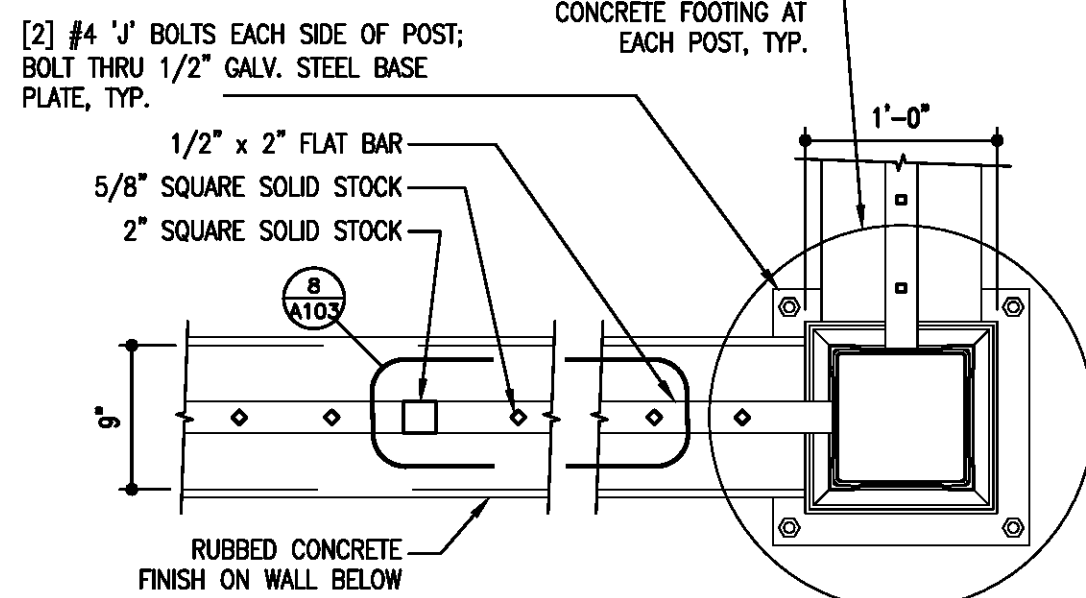


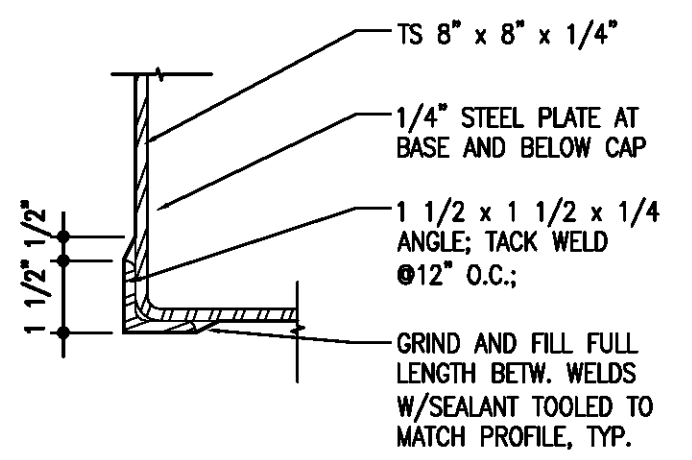
1 FENCE SECTION
A102 | A103
1" = 1'-0"



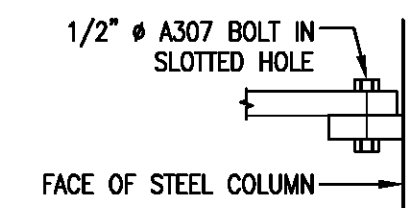
2 ENLARGED ELEVATION
A102 | A103
1" = 1'-0"



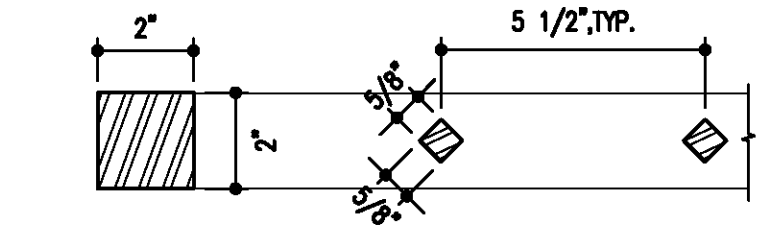
3 ENLARGED PLAN @ CORNER
A102 | A103
1" = 1'-0"



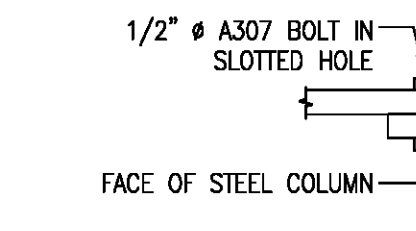
6 PLAN DETAIL
A103 | A103
3" = 1'-0"



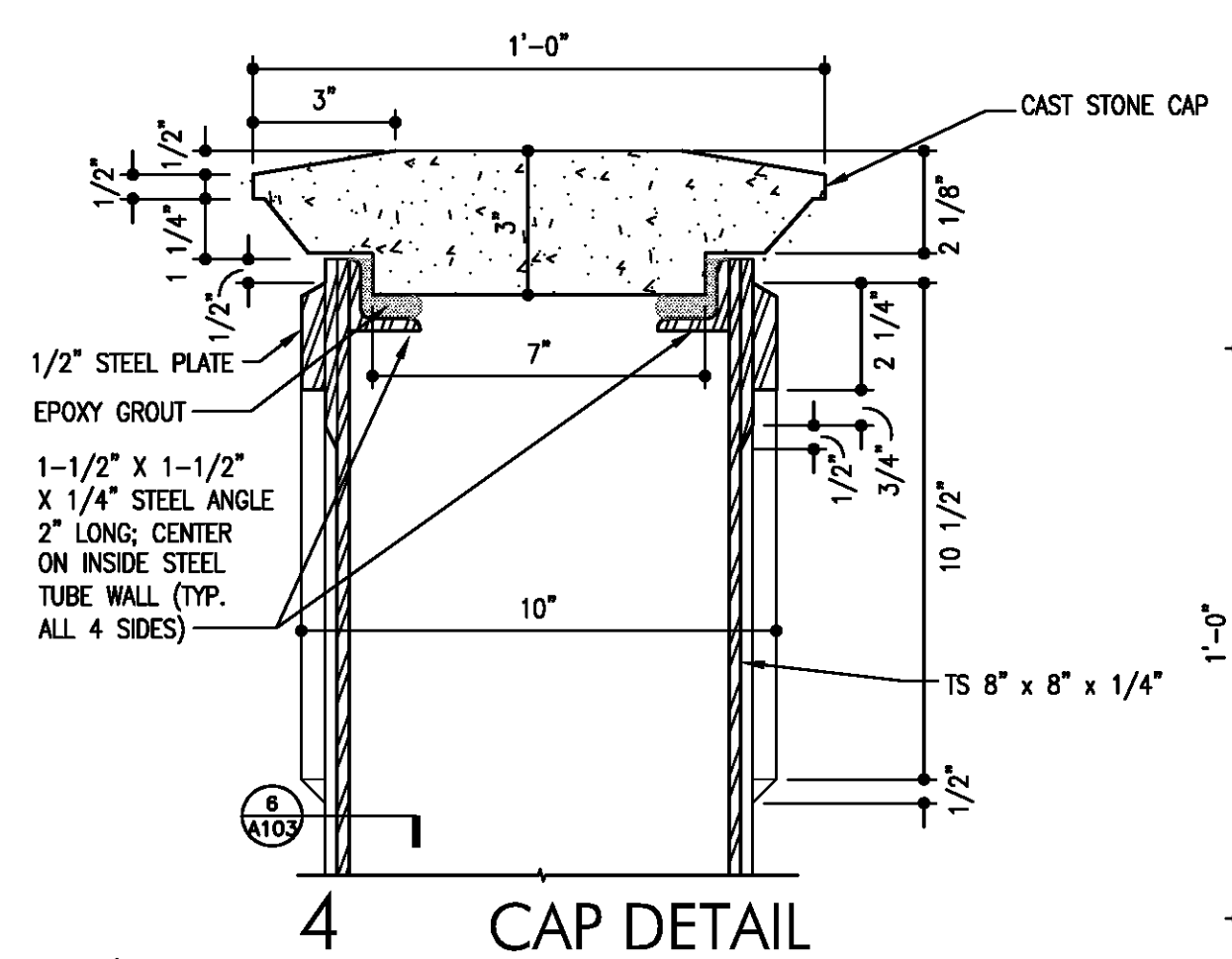
7 DETAIL
A103 | A103
3" = 1'-0"



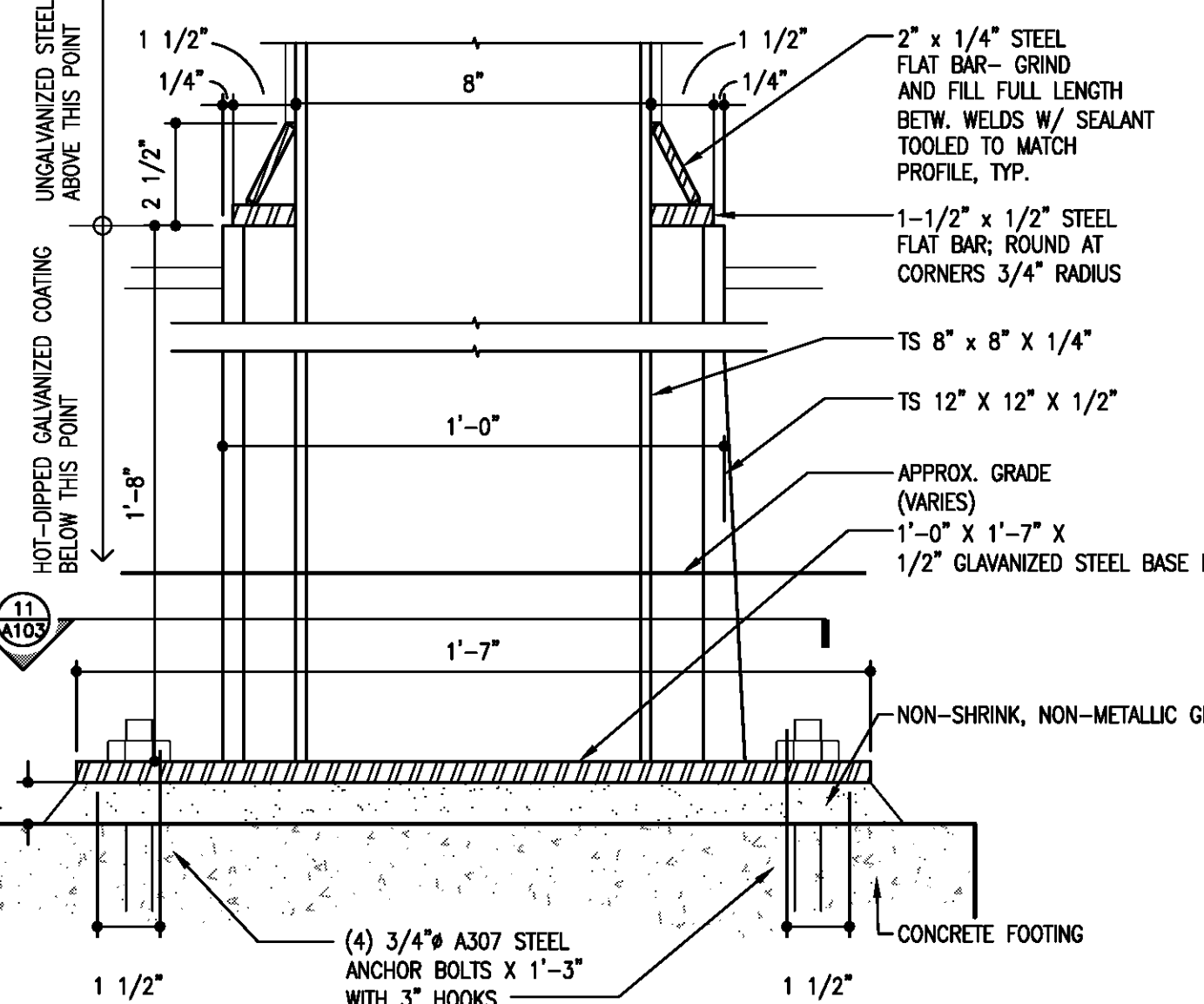
8 PLAN DETAIL
A103 | A103
3" = 1'-0"



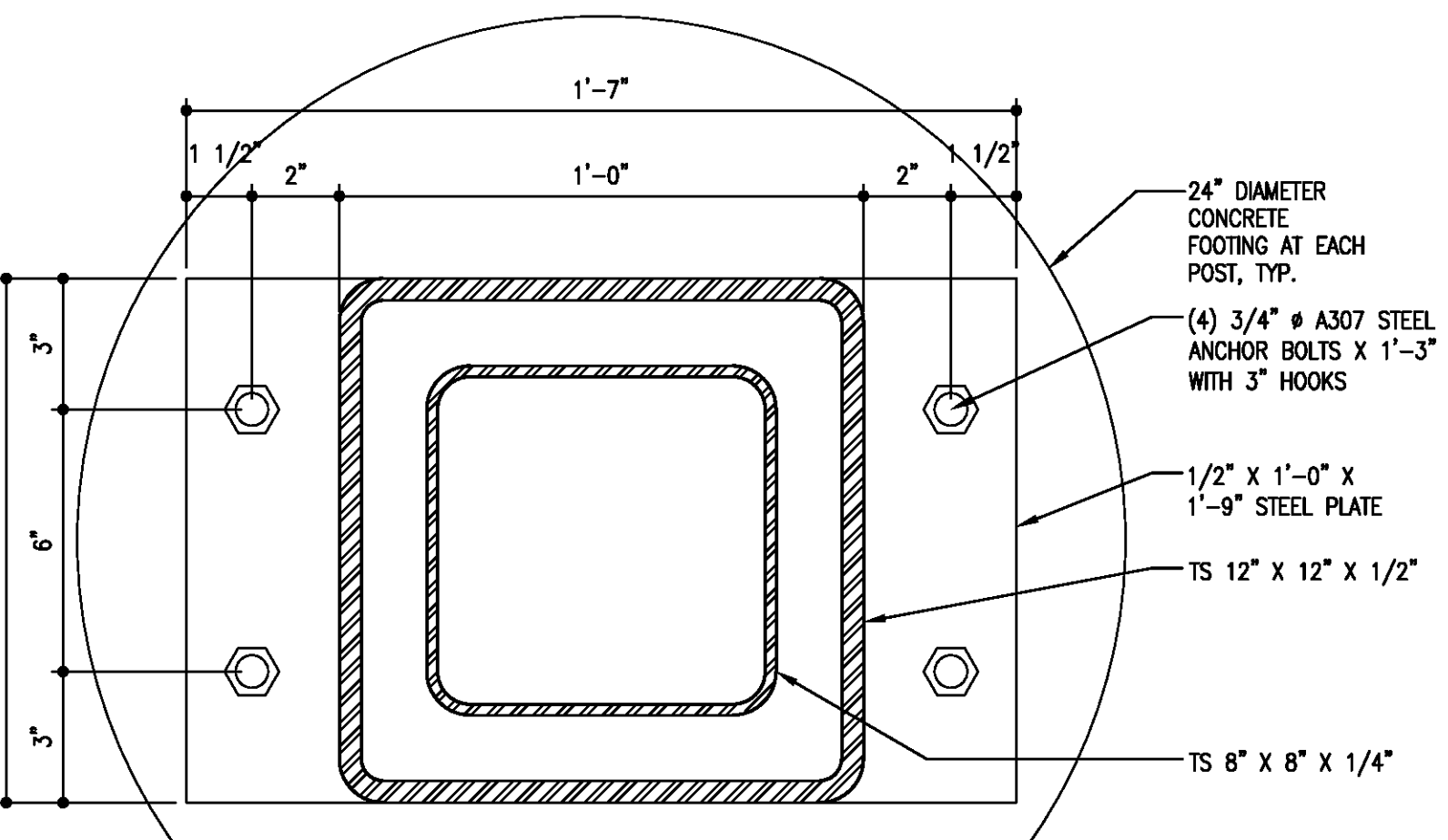
9 DETAIL
A-501
3" = 1'-0"



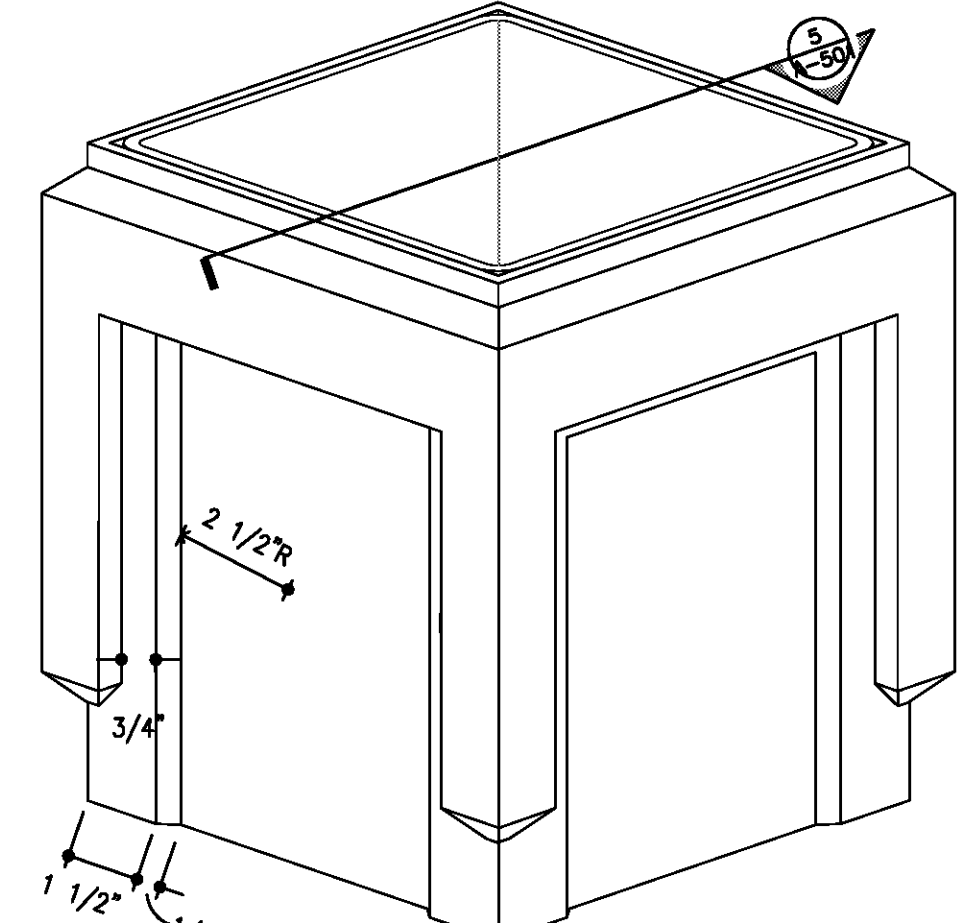
4 CAP DETAIL
A103 | A103
3" = 1'-0"



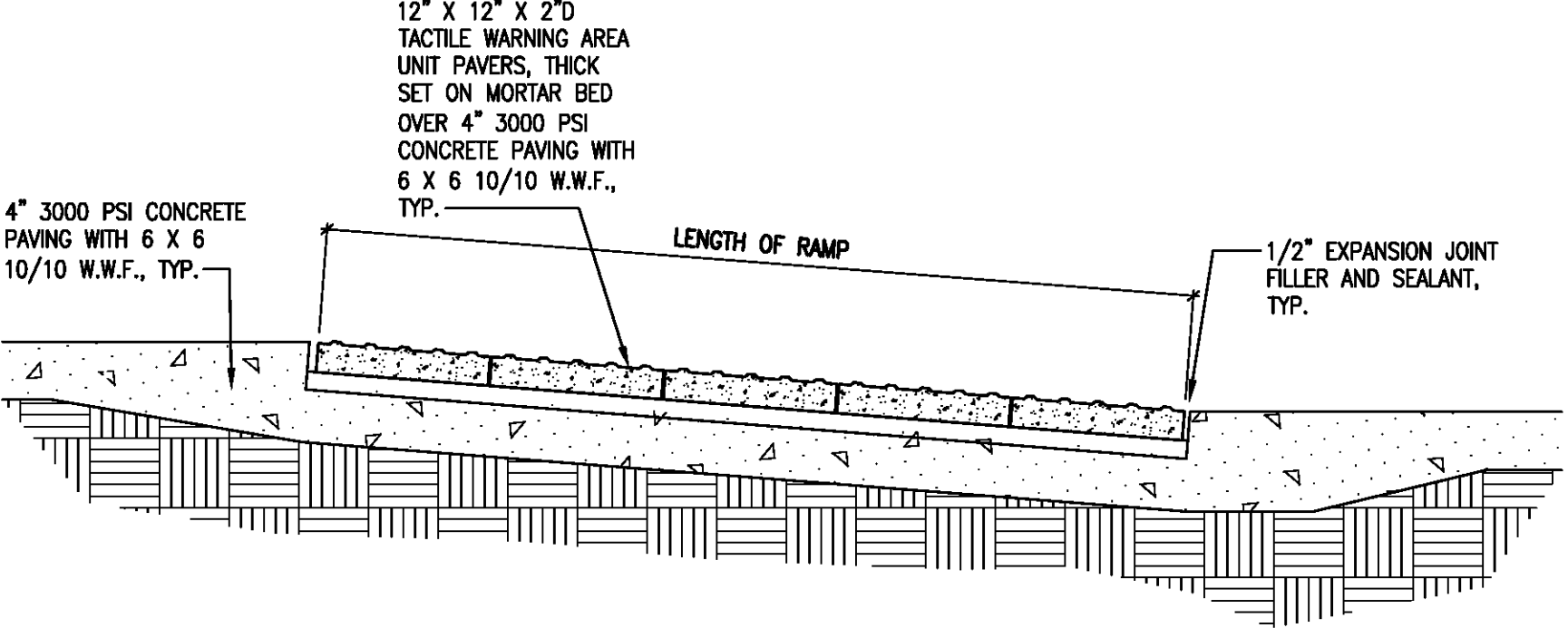
5 BASE DETAIL
A103 | A103
3" = 1'-0"



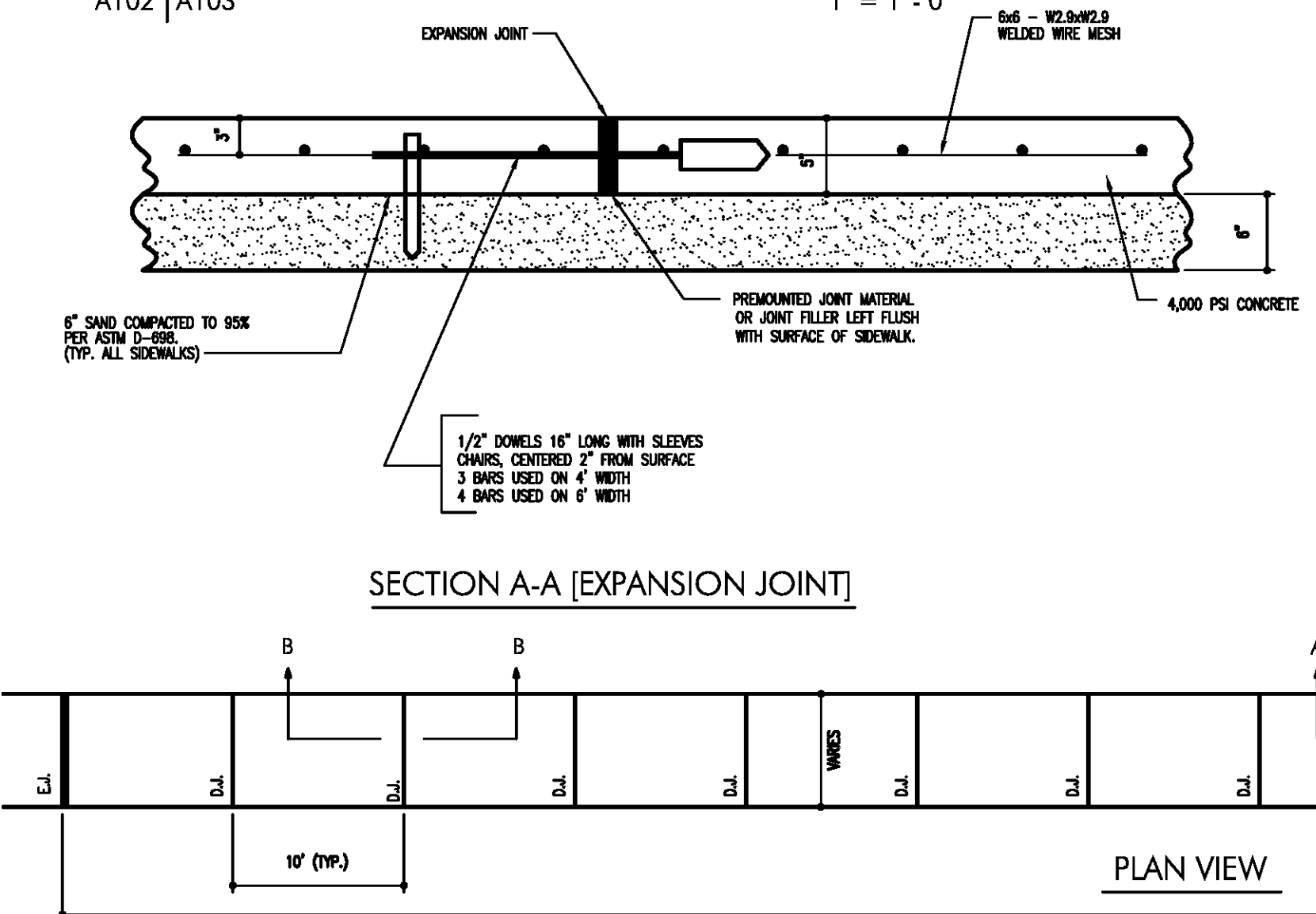
13 PLAN DETAIL
A103 | A103
3" = 1'-0"



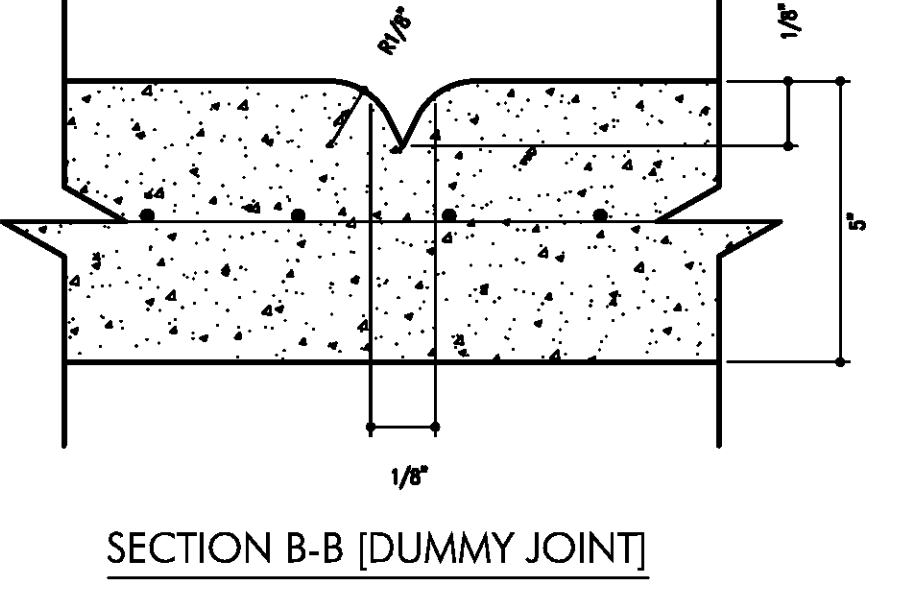
14 DETAIL
A103 | A103
3" = 1'-0"



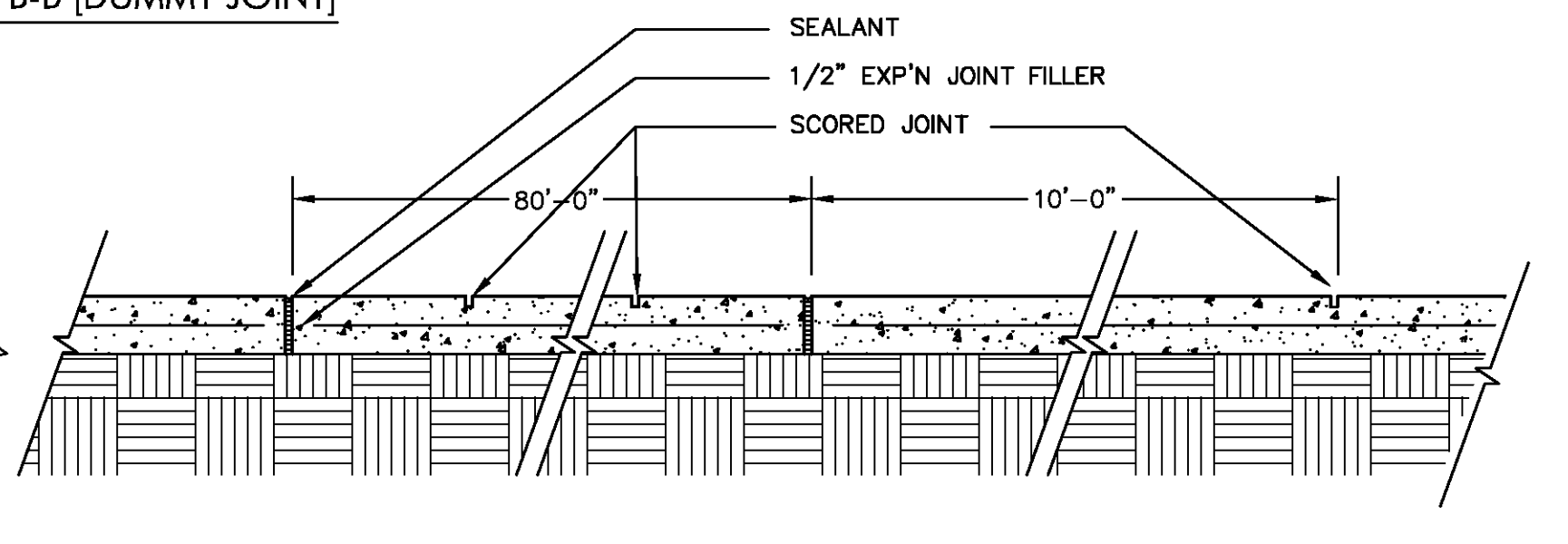
10 SECTION DETAIL @ TACTILE PAVERS
A101 | A103
1" = 1'-0"



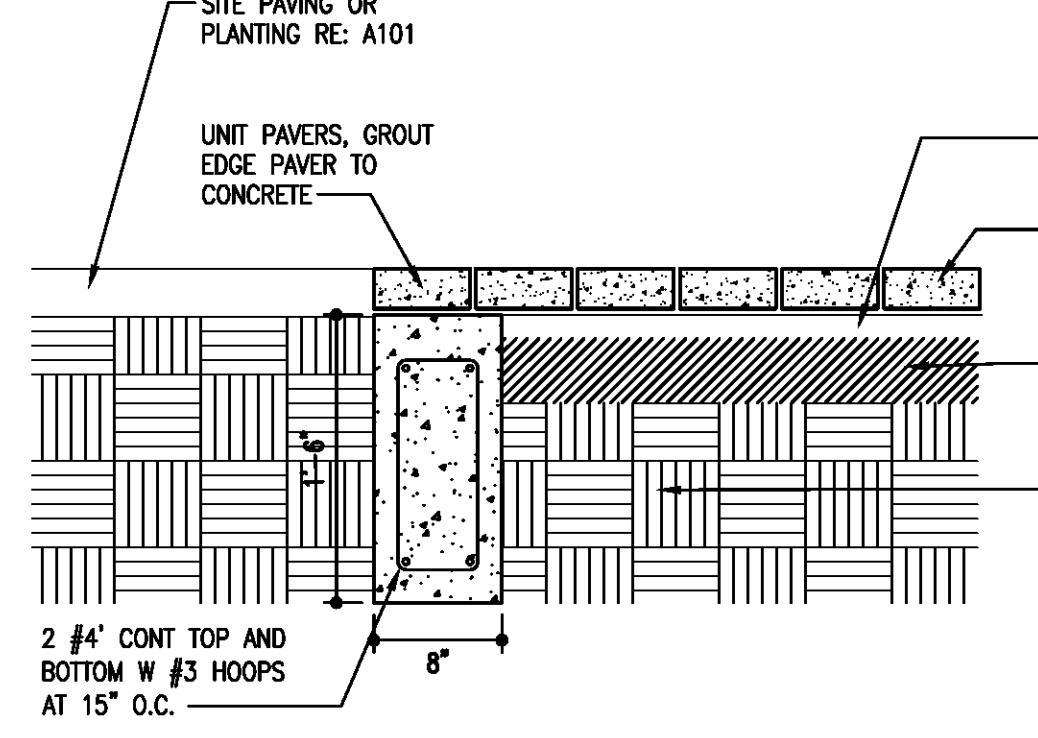
9 CONCRETE SIDEWALK PAVEMENT
A103 | A103
N.T.S.



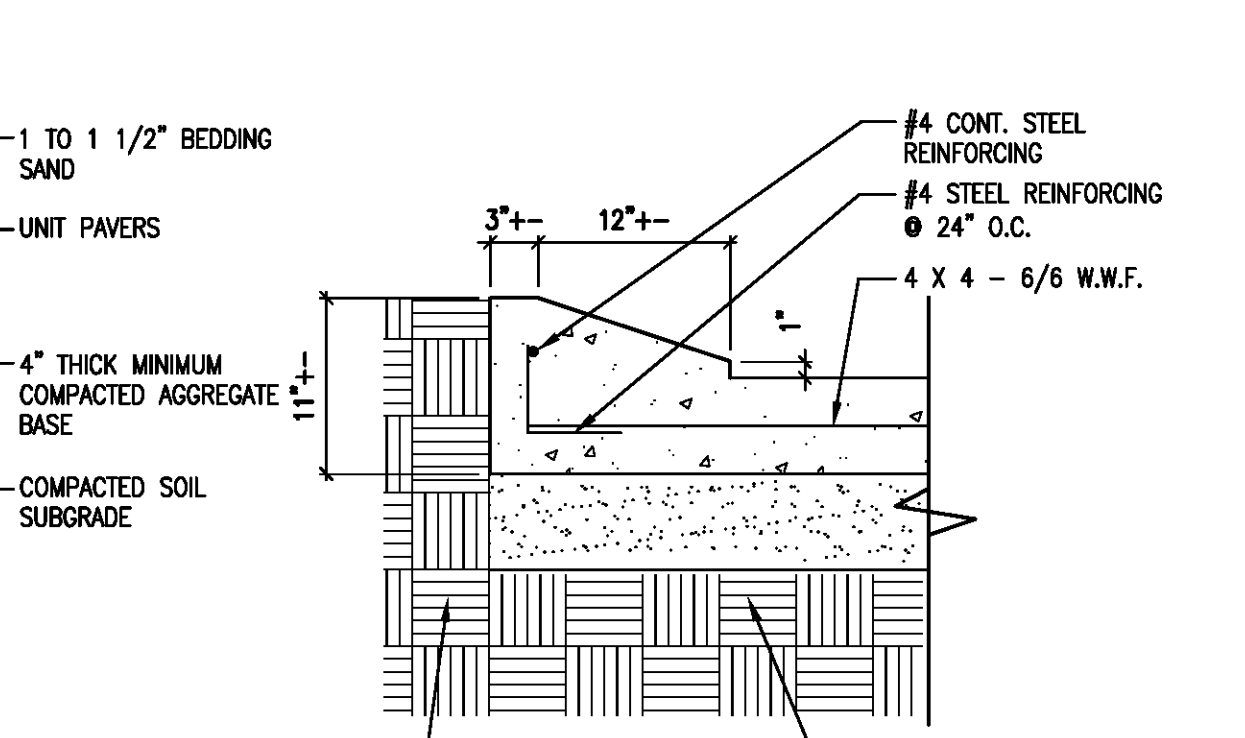
SECTION B-B [DUMMY JOINT]



15 SECTION DETAIL @ PAVING
A101 | A103
1" = 1'-0"



11 SECTION DETAIL @ UNIT PAVERS
A101 | A103
1" = 1'-0"



12 SECTION DETAIL
A101 | A103
1" = 1'-0"