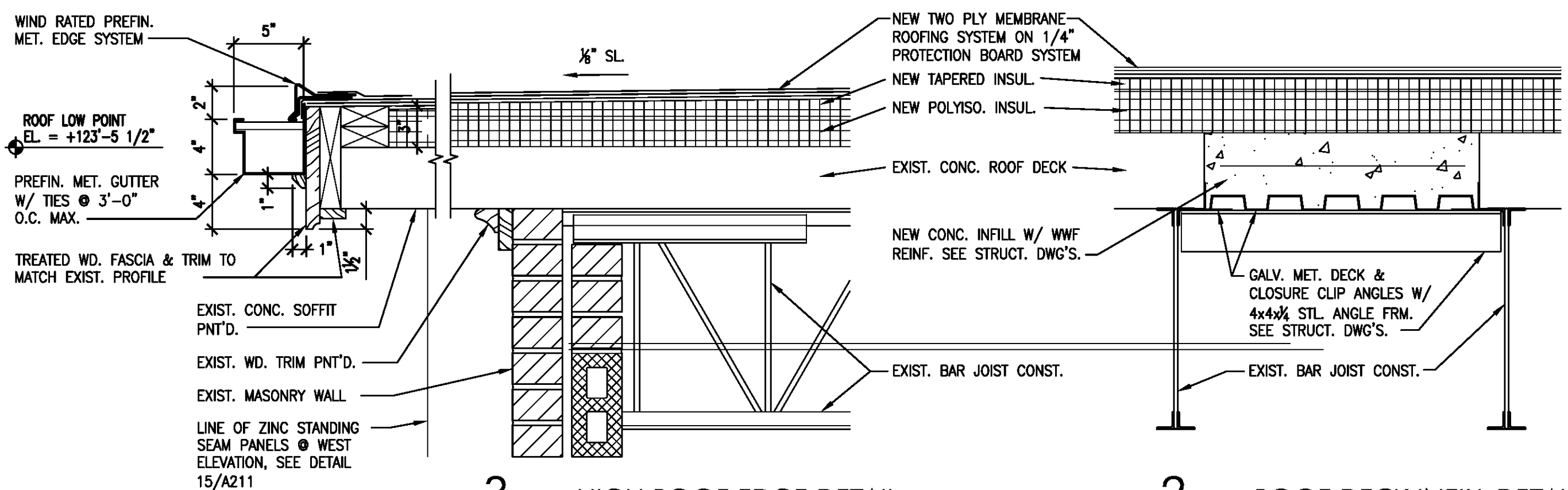
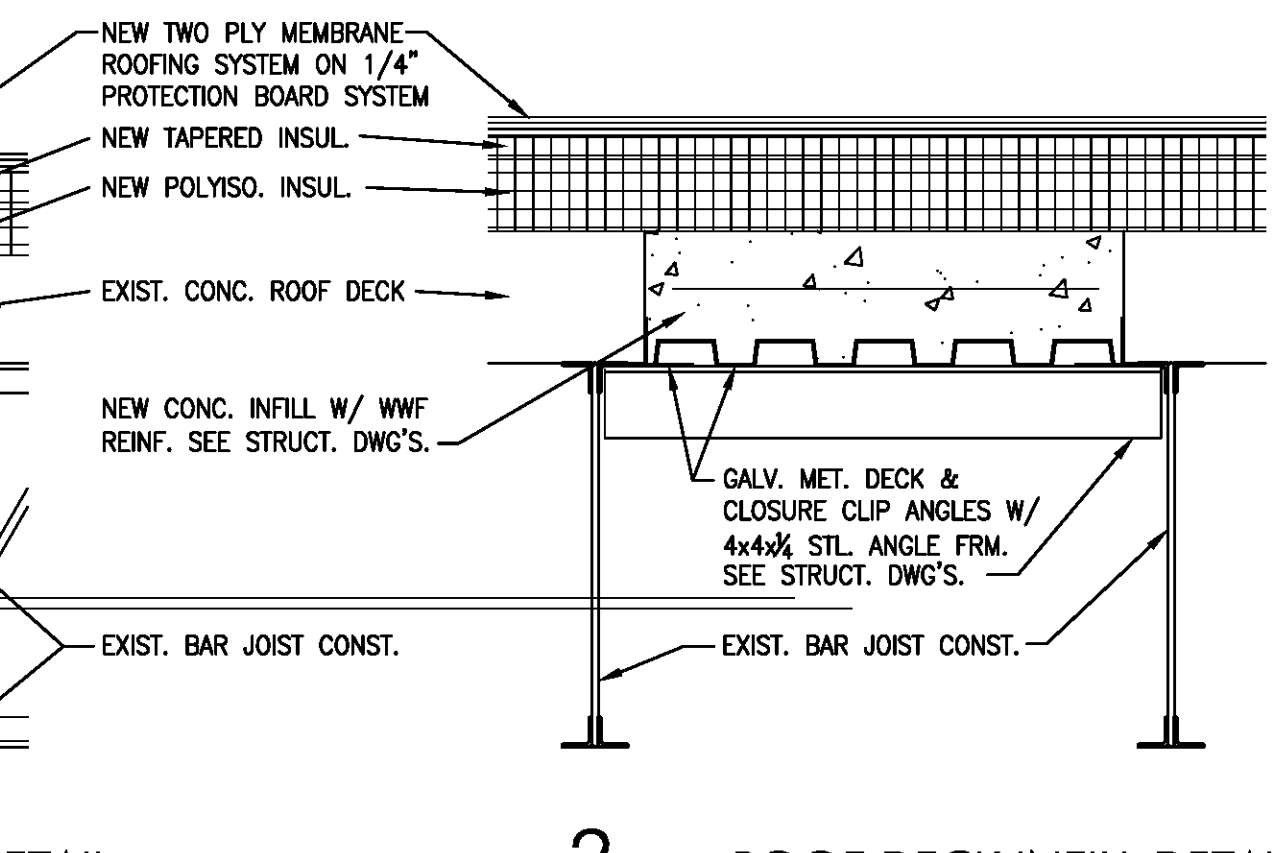


5 EQUIP. CURB DETAIL
A205 | A211 1 1/2" = 1'-0"

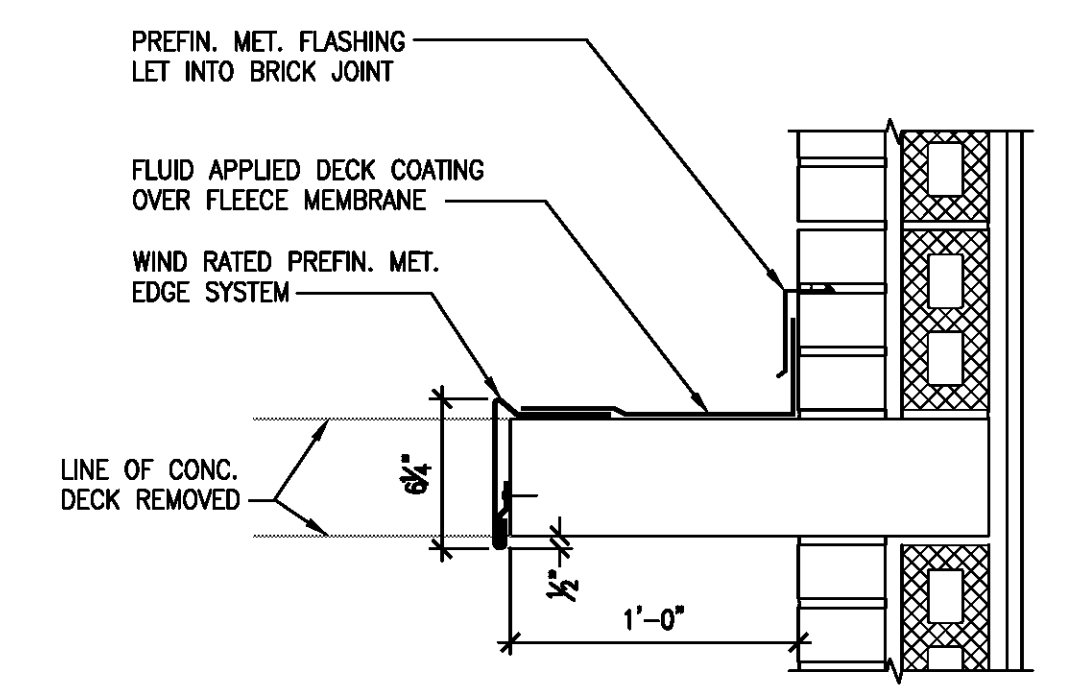
4 VENT DETAIL
A205 | A211 1 1/2" = 1'-0"



3 HIGH ROOF EDGE DETAIL
A205 | A211 1 1/2" = 1'-0"



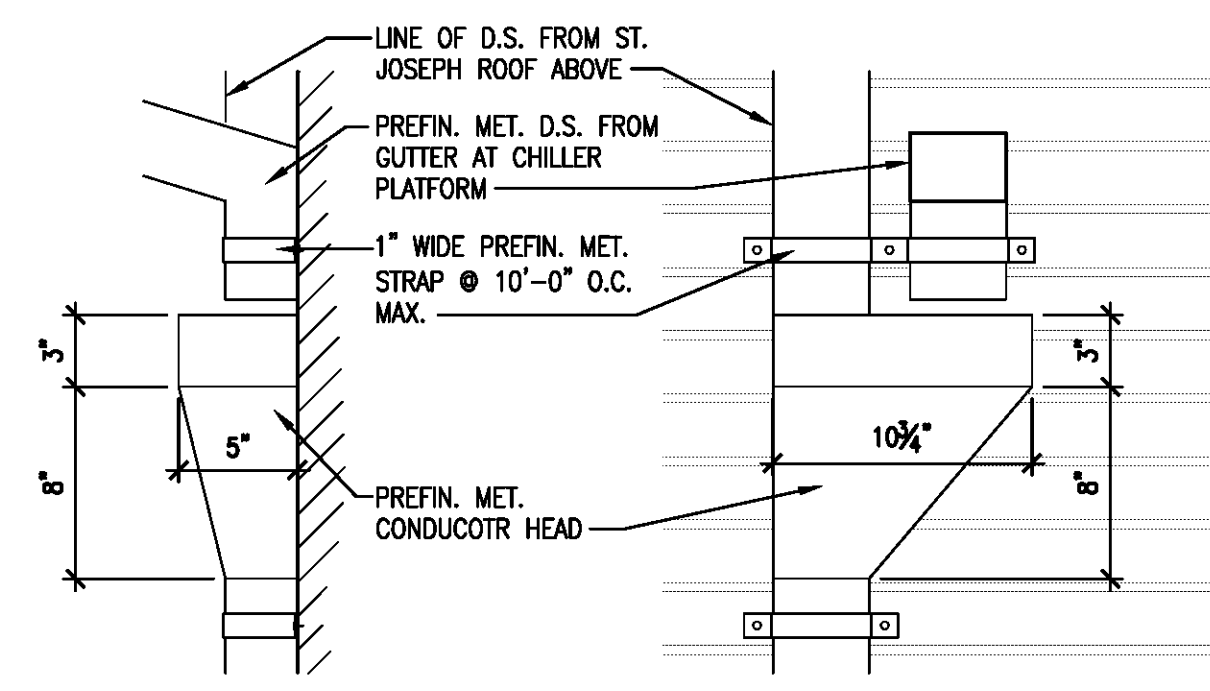
2 ROOF DECK INFILL DETAIL
A205 | A211 1 1/2" = 1'-0"



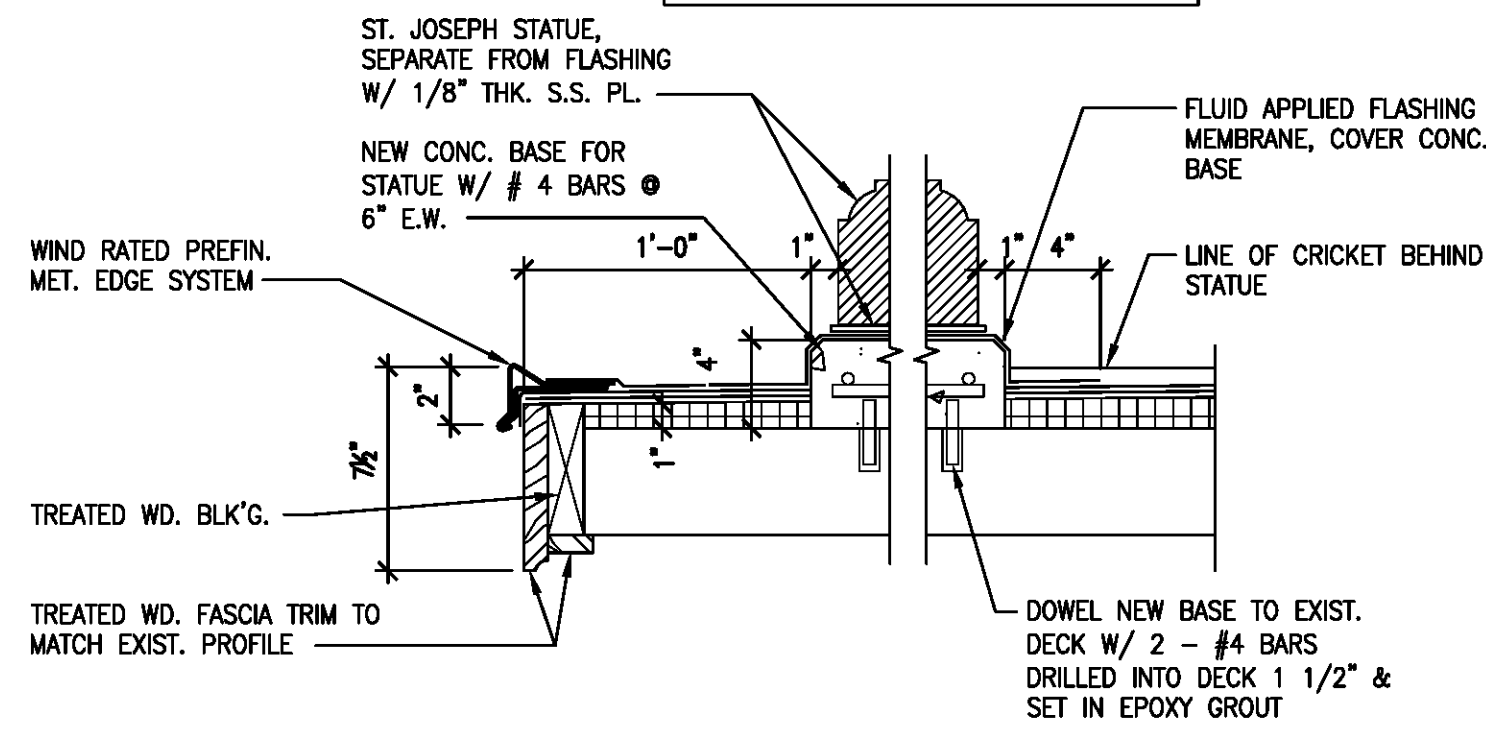
1 LOW ROOF EDGE DETAIL
A205 | A211 1 1/2" = 1'-0"

NOTE: AVERAGE THERMAL RESISTANCE VALUE AT MID POINT OF ROOF SHALL BE R-25

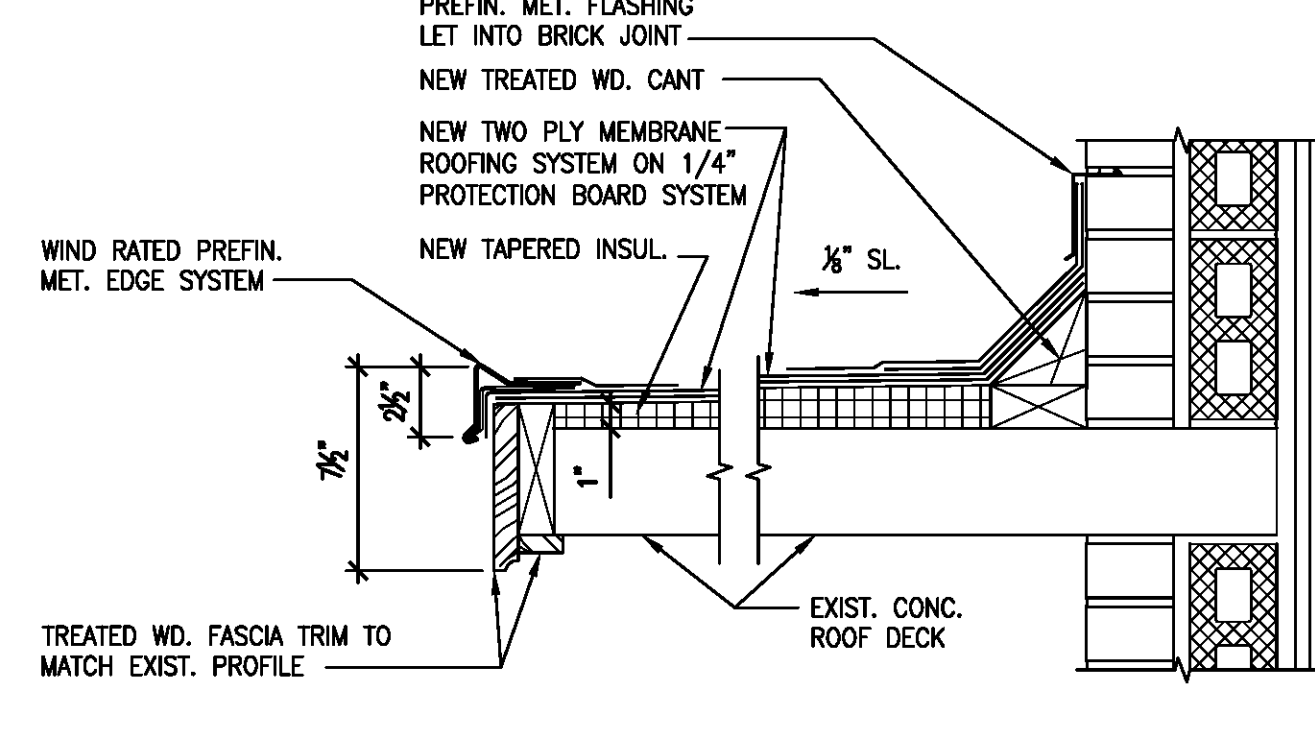
NOTE: CONC. SHALL BE 3,000 LB. NORMAL WT. APPLY BOND AGENT TO EXIST. ROOF DECK PRIOR TO CASTING BASE



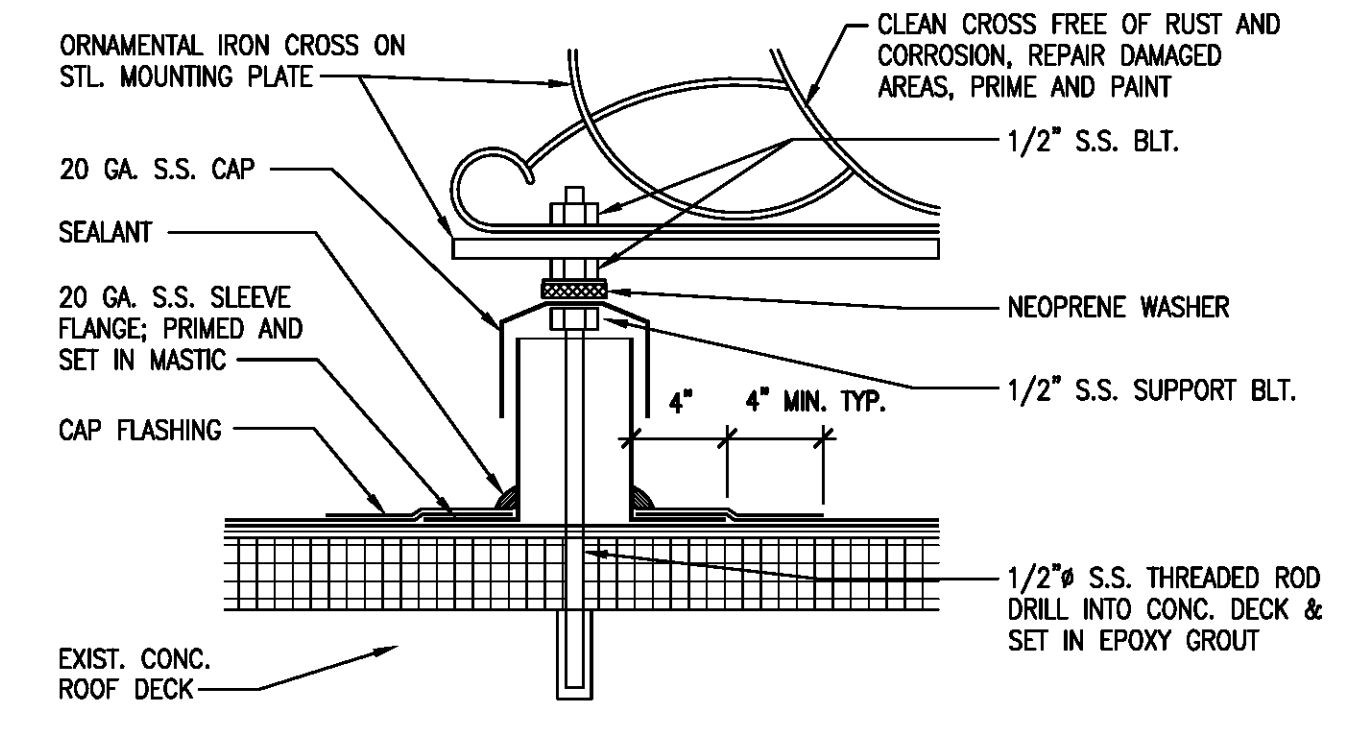
14 CONDUCTOR HEAD DETAIL
A204 | A211 1/4" = 1'-0"



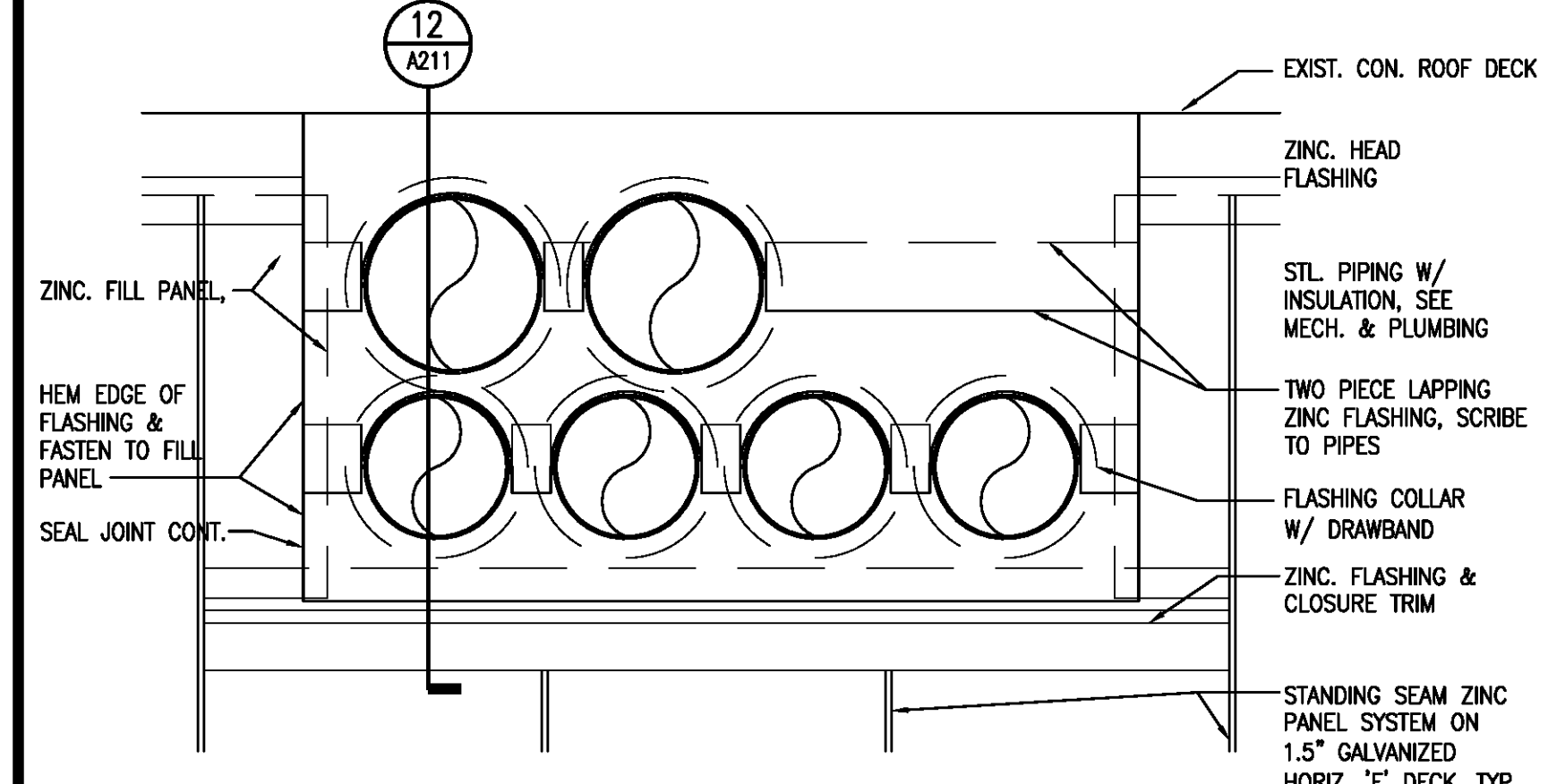
8 LOW ROOF EDGE DETAIL
A205 | A211 1 1/2" = 1'-0"



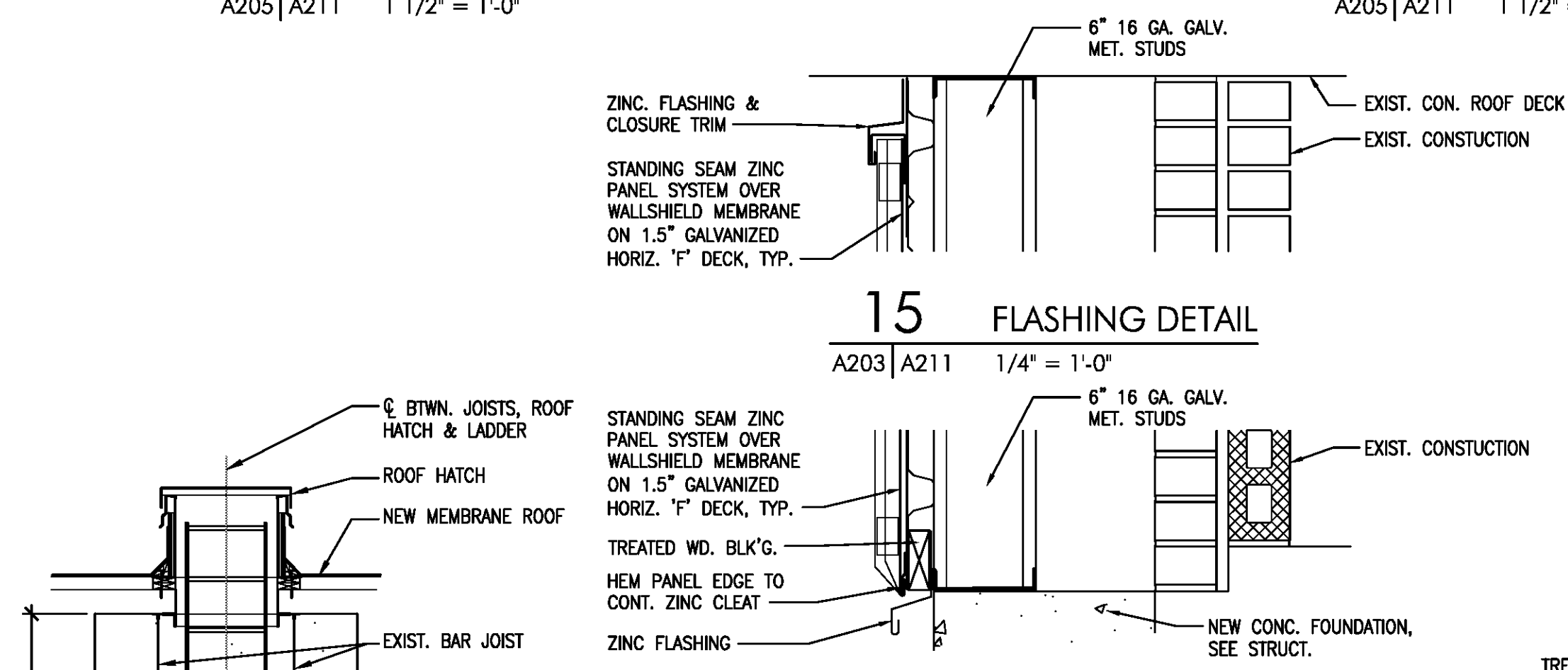
7 LOW ROOF EDGE DETAIL
A205 | A211 1 1/2" = 1'-0"



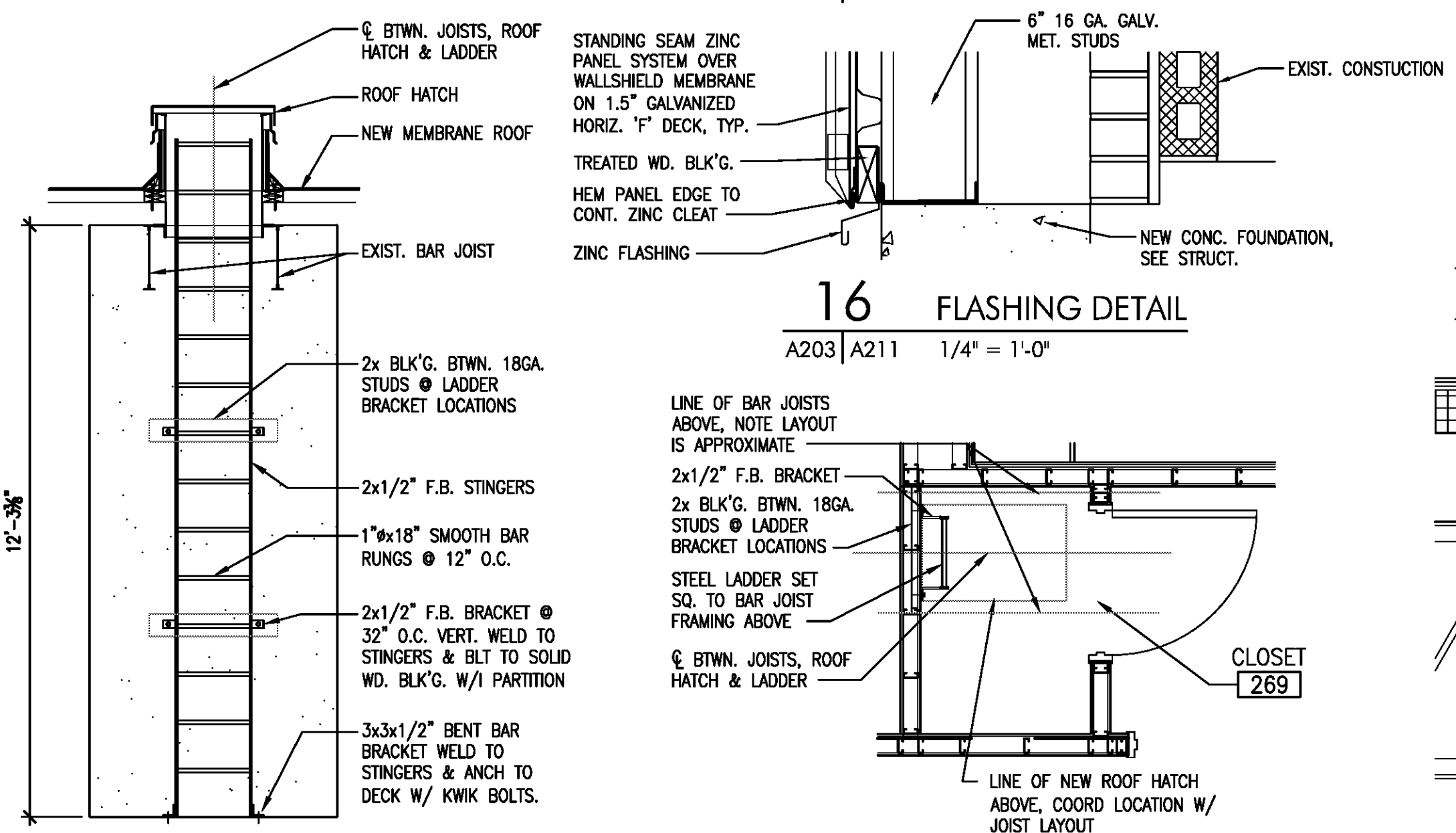
6 CROSS MOUNTING DETAIL
A205 | A211 1 1/2" = 1'-0"



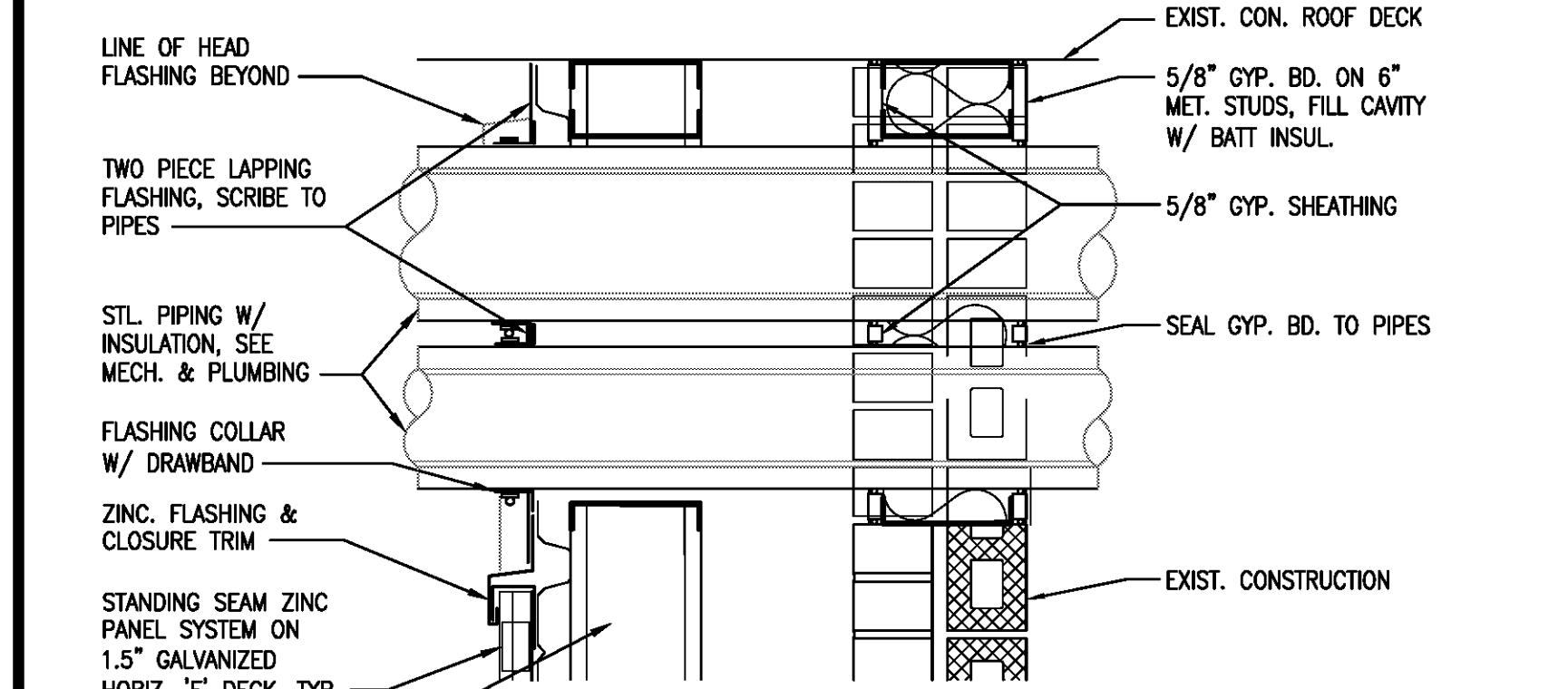
13 FLASHING DETAIL
A204 | A211 1/4" = 1'-0"



15 FLASHING DETAIL
A203 | A211 1/4" = 1'-0"



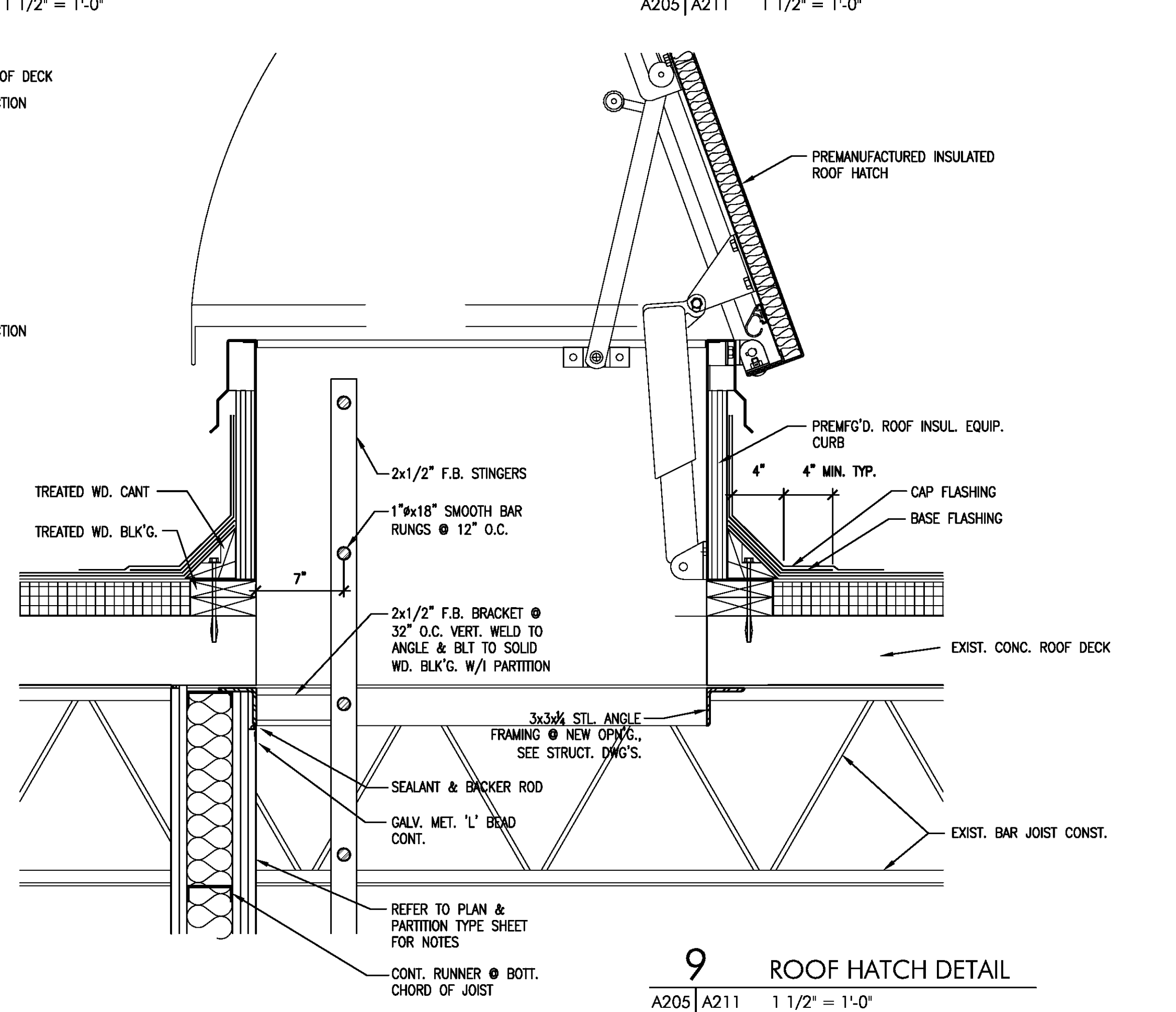
16 FLASHING DETAIL
A203 | A211 1/4" = 1'-0"



12 FLASHING DETAIL
A204 | A211 1/4" = 1'-0"



10 ENLARGED PART PLAN
A203 | A211 1/4" = 1'-0"



9 ROOF HATCH DETAIL
A205 | A211 1 1/2" = 1'-0"