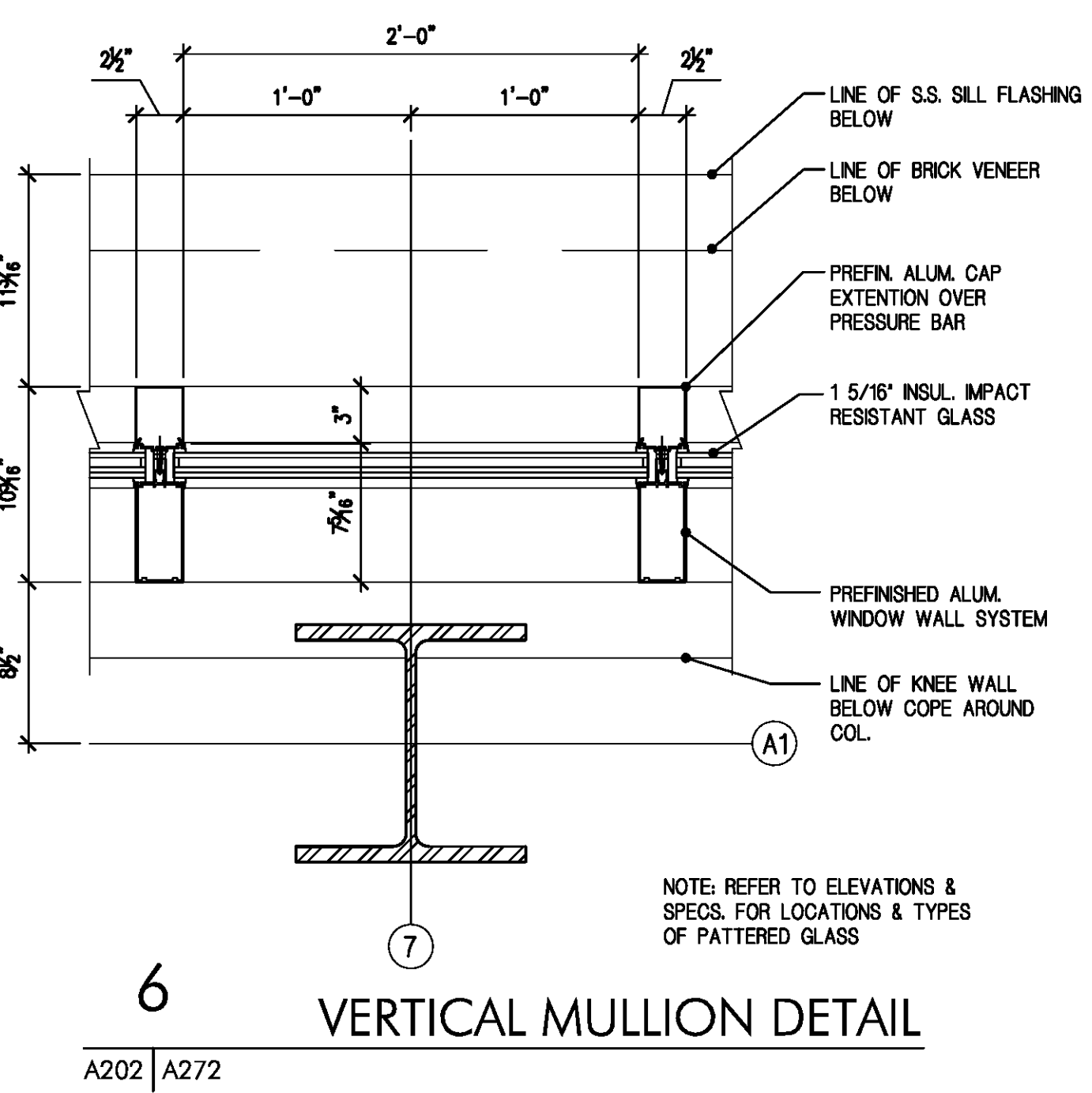


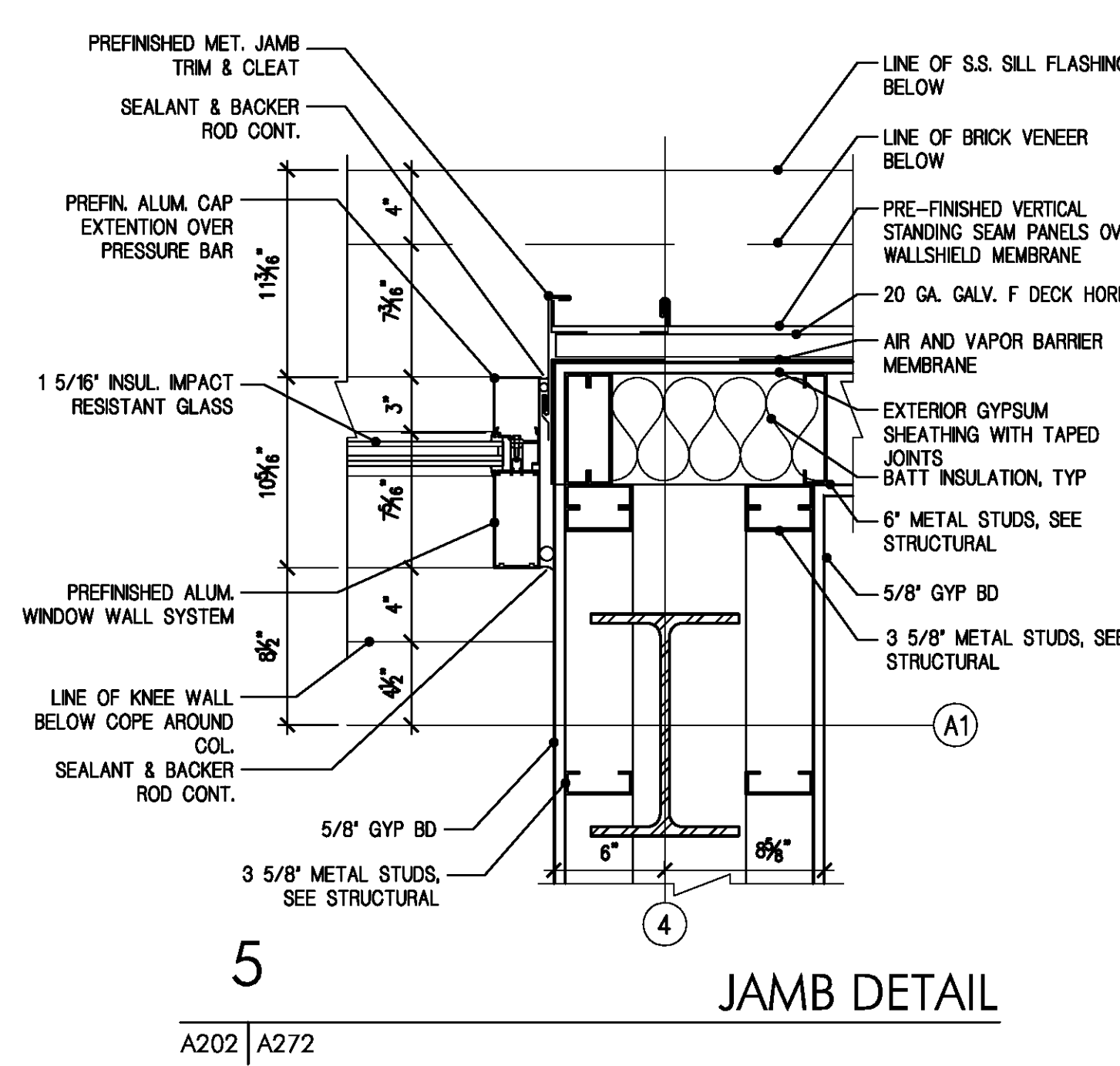
7 CORNER MULLION DETAIL

A202 | A272 1 1/2" = 1' - 0"



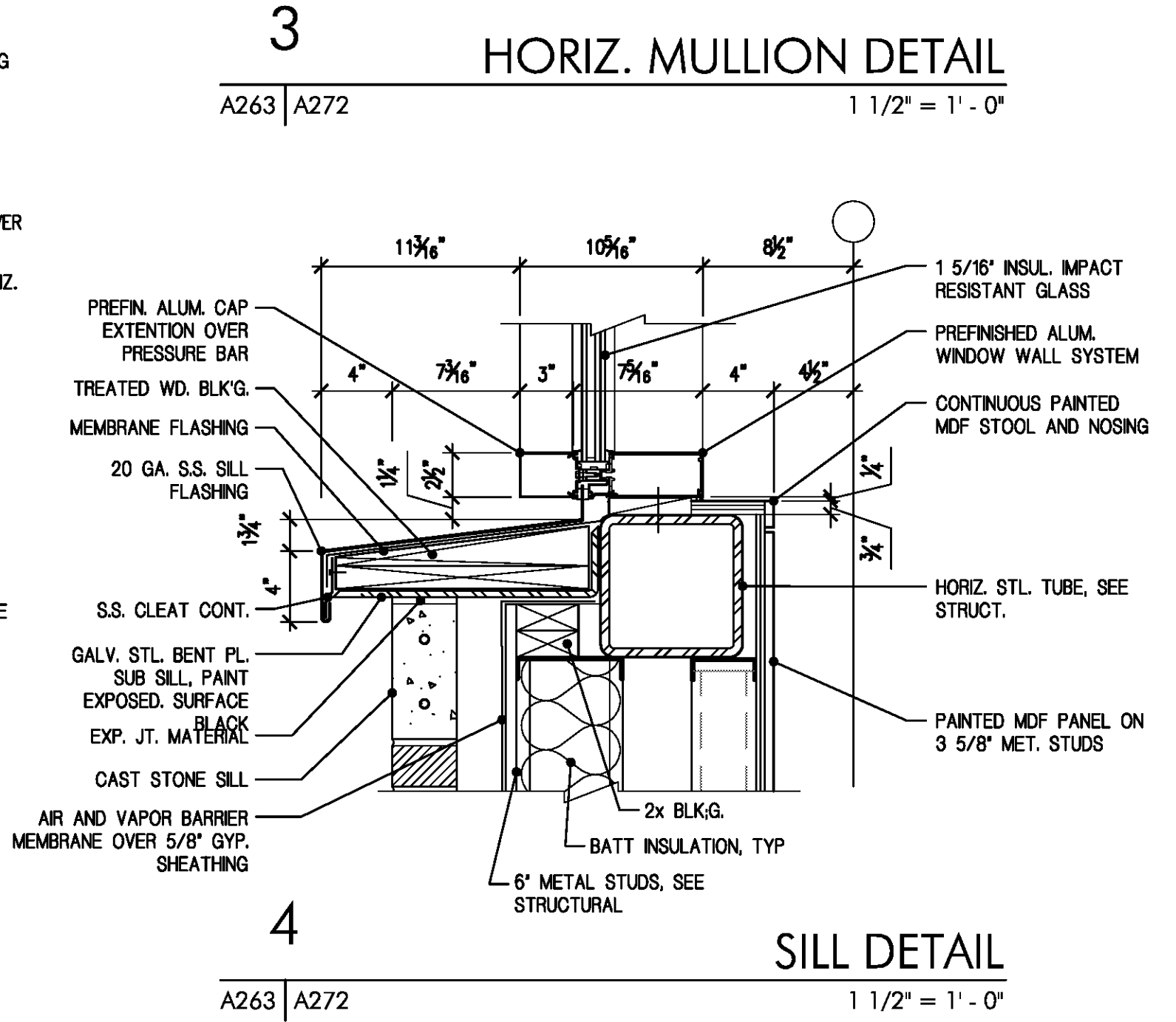
6 VERTICAL MULLION DETAIL

A202 | A272



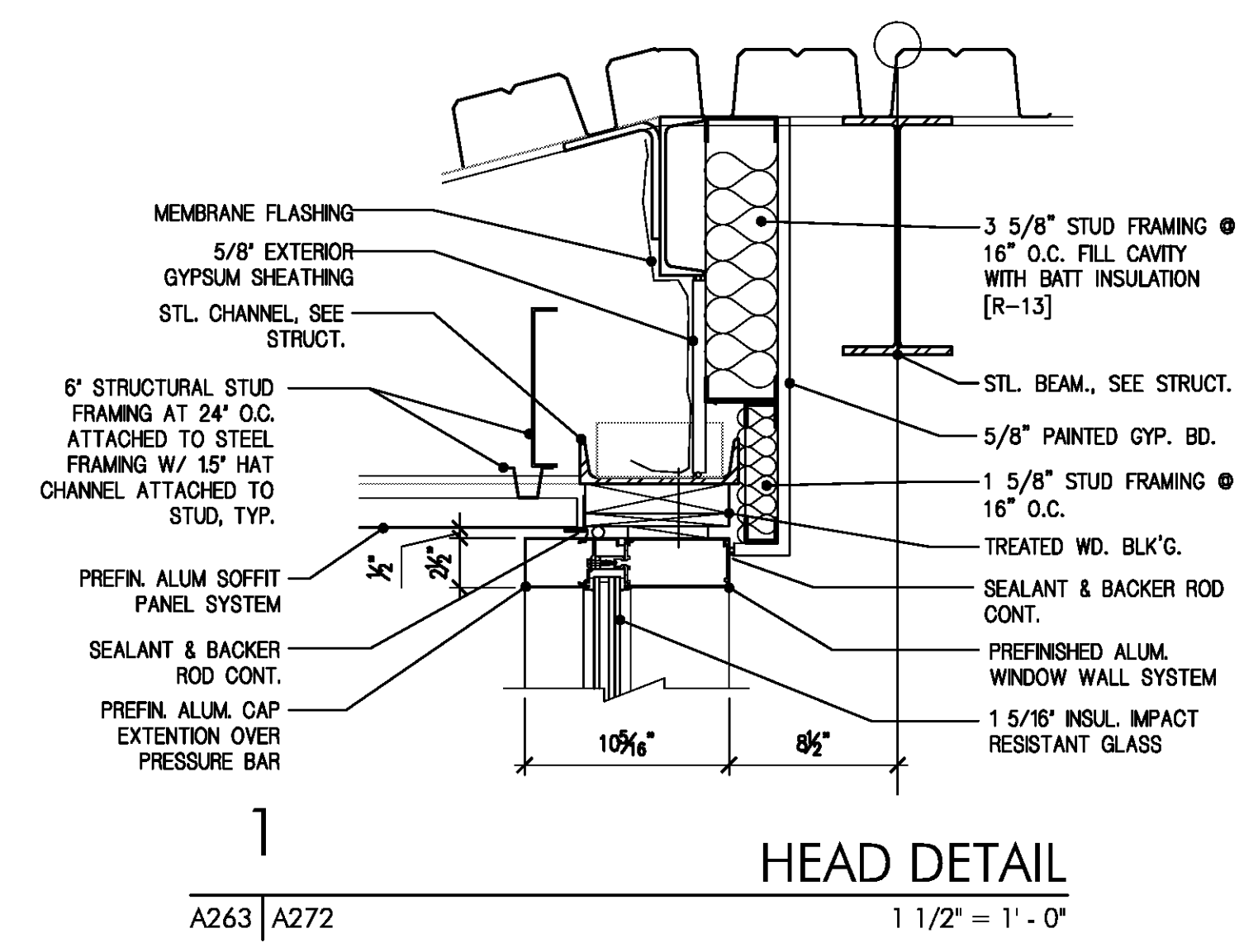
5 JAMB DETAIL

A202 | A272



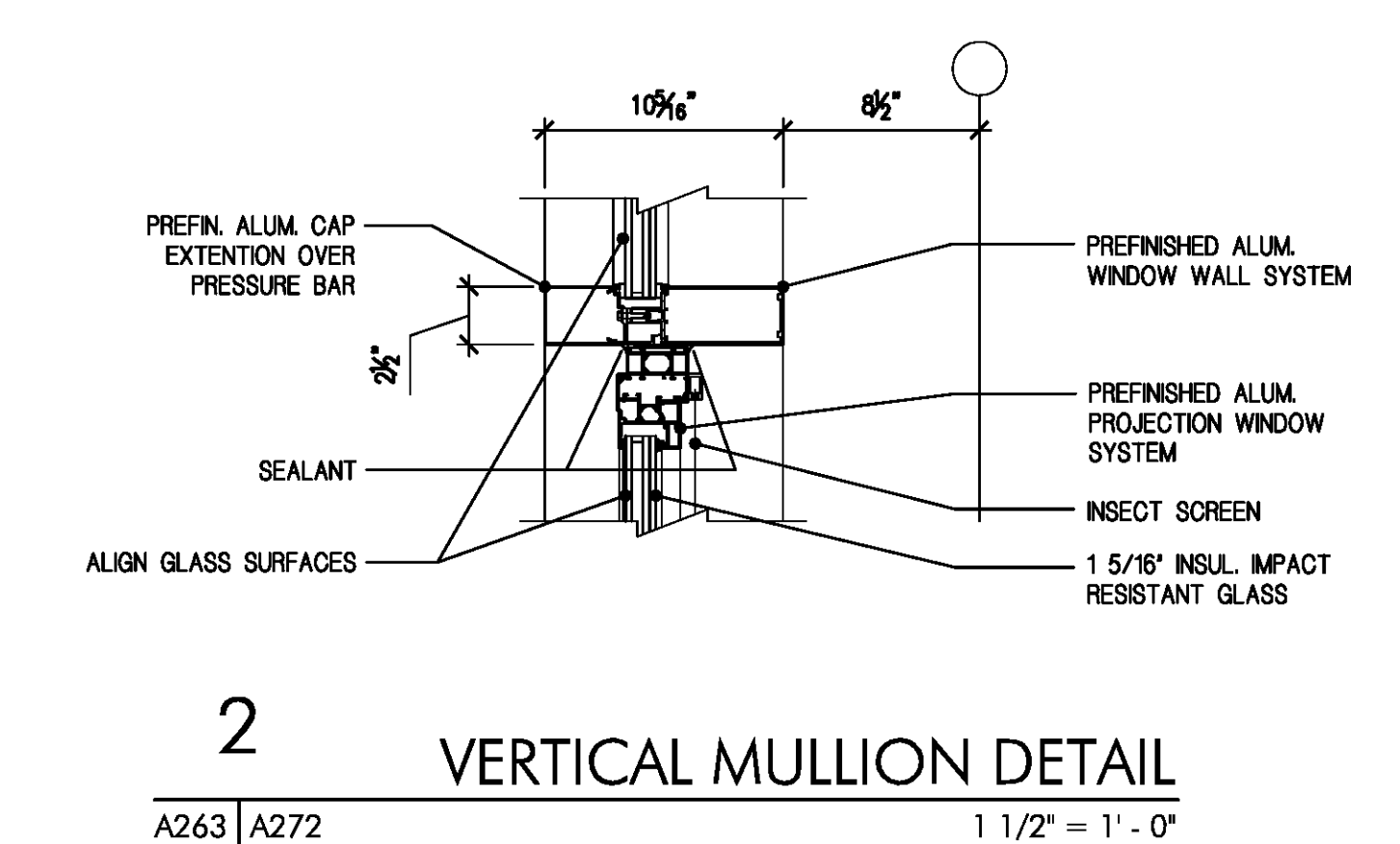
4 SILL DETAIL

A263 | A272 1 1/2" = 1' - 0"



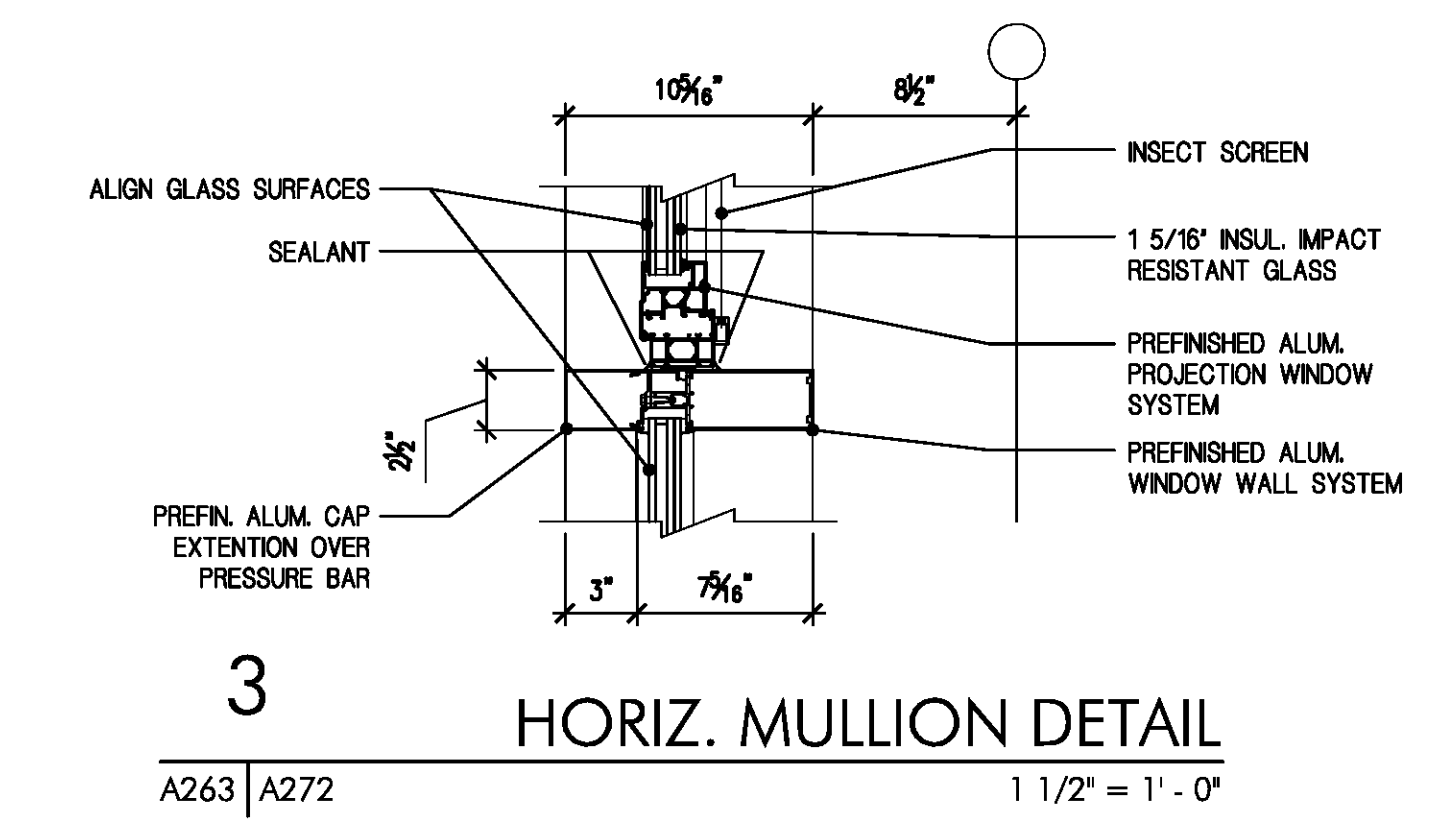
1 HEAD DETAIL

A263 | A272 1 1/2" = 1' - 0"



2 VERTICAL MULLION DETAIL

A263 | A272 1 1/2" = 1' - 0"



3 HORIZ. MULLION DETAIL

A263 | A272 1 1/2" = 1' - 0"

SHEET TITLE:
 WINDOW WALL DETAILS

DATE:	JAN 08, 2010
DRAWN BY:	FA
REVISION:	

